

:: Shocks

5407	Red O-Rings	8	
6299	1/8" E-Clips	12	
6425B	Front Shock Body, 1.02" stroke (blue)	1	
6440	Shock Rebuild Kit, for 4 shocks	Set	
6441	Shock Cap, Molded	4	
6458	Shock Shaft, 1.32" stroke	1	front
6459	Shock Shaft, 1.02" stroke	1	6425B rear
6465	Shock Pistons, 4 each of #1,2, & 3	Set	7411B
6466	Shock Down Stops	Set	
6469	Black Shock Cap O-Ring	4	8846
6472	Shock Mount Nut	4	
6473	Shock Bushings	4	6475
6475	Preload Spacers, Collars & Cups 4 thicknesses, 4 sets each	Set	front 7428 rear 6480
6925	4-40 x 1/2" SHCS	6	
6926	4-40 x 5/8" SHCS	6	
7217	Shock Rod Ends / Plastic Pivot Balls	2	
7411B	Rear Shock Body, 1.39" stroke (blue)	1	
8846	Preload Spacers, 4 each of 4 different sizes	Set	6475 front 6926 rear 6925

:: Shock Springs

1580	Factory Team Truck Front Spring Kit. I pair of green, silver, blue, gold, red front springs	Set
1582	Factory Team Truck Front Spring Kit. I pair of green, silver, blue, gold, red rear springs	Set
6478	Rear Spring Silver 2.10 lb	Pr.
6480	Rear Spring Green 1.90 lb (Kit)	Pr.
6481	Rear Spring Black 1.74 lb	Pr.
6482	Rear Spring Gray 2.33 lb	Pr.
7425	Front Spring Gold 3.70 lb (Kit)	Pr.
7426	Front Spring Black 2.765 lb	Pr.
7427	Front Spring Green 2.99 lb	Pr.
7428	Front Spring Silver 3.225 lb	Pr.
7429	Front Spring Blue 3.45 lb	Pr.
7430	Front Spring Red 3.90 lb	Pr.
7434	Rear Spring Blue 2.55 lb	Pr.
7435	Rear Spring Gold 2.75 lb	Pr.
7436	Rear Spring Red 2.95 lb	Pr.

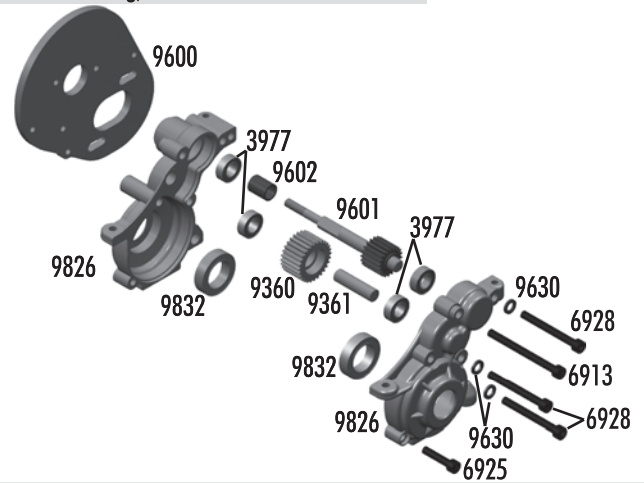
:: Shock Oil

5420	10 Weight Silicone Shock Oil	2oz.
5421	20 Weight Silicone Shock Oil	2oz.
5422	30 Weight Silicone Shock Oil	2oz.
5423	40 Weight Silicone Shock Oil	2oz.
5425	80 Weight Silicone Shock Oil	2oz.
5427	15 Weight Silicone Shock Oil	2oz.
5428	25 Weight Silicone Shock Oil	2oz.
5429	35 Weight Silicone Shock Oil	2oz.
5430	45 Weight Silicone Shock Oil	2oz.
5431	55 Weight Silicone Shock Oil	2oz.
5435	50 Weight Silicone Shock Oil	2oz.
5436	60 Weight Silicone Shock Oil	2oz.
5437	70 Weight Silicone Shock Oil	2oz.



:: Transmission

3977	Ball Bearing, 3/16" x 3/8"	2
6913	4-40 x 1 1/4" SHCS	6
6925	4-40 x 1/2" SHCS	6
6928	4-40 x 1" SHCS	6
9360	Idler Gear, molded	1
9361	Idler Gear Shaft	1
9600	B4/T4 Motor Plate	1
9601	B4/T4 Top Shaft	1
9602	B4/T4 Top Shaft Spacer	1
9630	Ball End Washer	10
9826	SC10 Transmission Case (left & right)	Set
9832	Ball Bearing, 10 x 16mm	2



:: Slipper Clutch

6285	4-40 x 1/4 SHCS	12
6629	5-40 Locknuts	6
7460	Molded B4/T4 Gear Cover, black (Kit)	1
7461	Molded B4/T4 Gear Cover, clear	1
9603	B4/T4 Slipper Pad	2
9604	B4/T4 Slipper Hub	1
9605	B4/T4 Slipper Spring	1
9650	75T 48P Spur Gear	1
9651	81T 48P Spur Gear	1
9652	78T 48P Spur Gear	1
9653	84T 48P Spur Gear	1
9654	87T 48P Spur Gear (Kit)	1

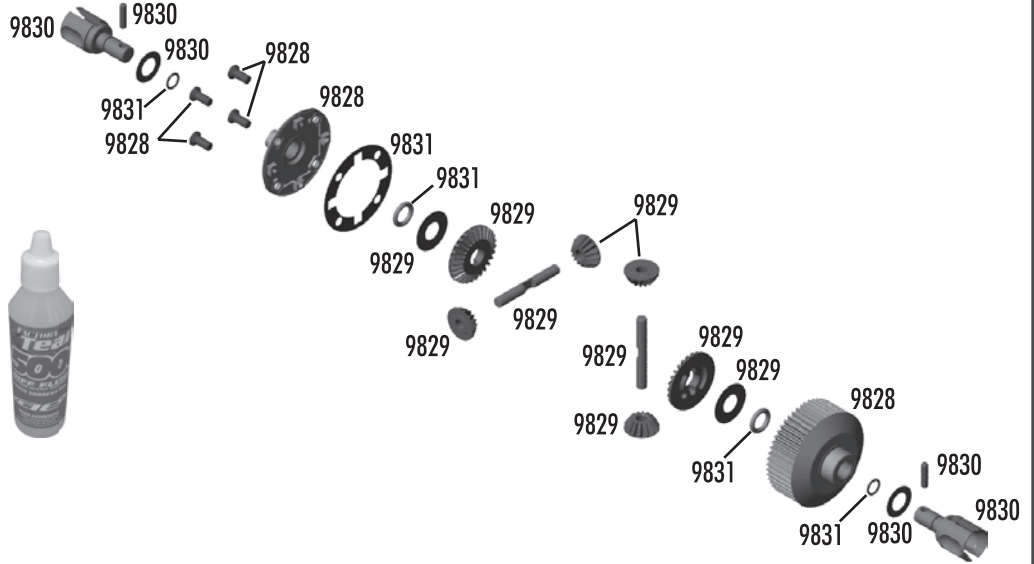
:: Pinion

8252	15T 48P Pinion Gear	1
8253	16T 48P Pinion Gear	1
8254	17T 48P Pinion Gear	1
8255	18T 48P Pinion Gear	1
8256	19T 48P Pinion Gear	1
8257	20T 48P Pinion Gear	1
8258	21T 48P Pinion Gear	1
8259	22T 48P Pinion Gear	1
8260	23T 48P Pinion Gear	1
8261	24T 48P Pinion Gear	1
8262	25T 48P Pinion Gear	1
8263	26T 48P Pinion Gear	1



:: Gear Differential

9827	Complete Gear Diff	Set
9828	Diff Gear and Cover	Set
9829	Gear Diff Rebuild	Set
9830	Gear Diff Outdrives	Set
9831	Gear Diff O-Ring Set	Set

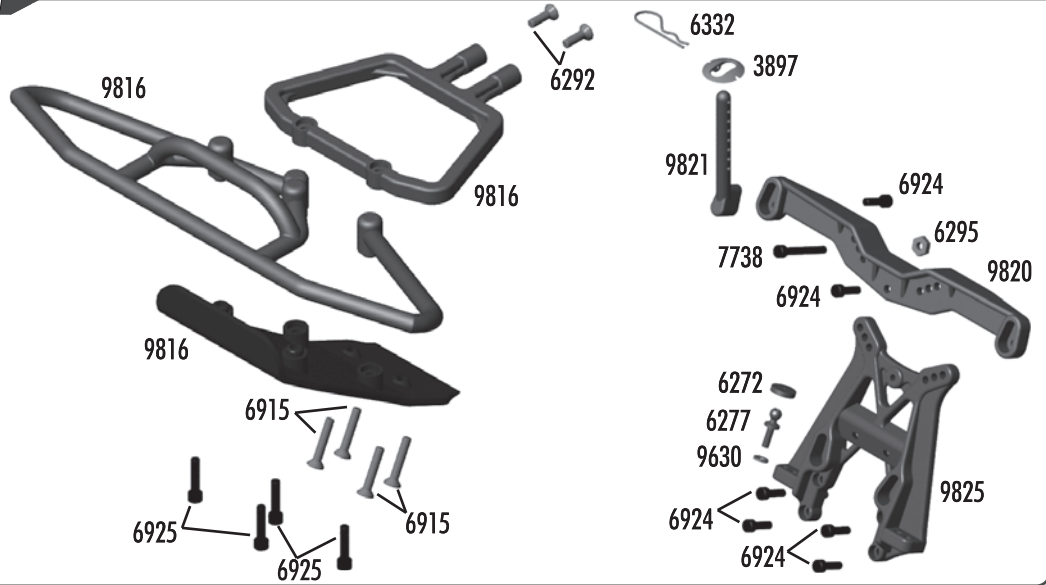


:: Diff Fluids

5450	Silicone Diff Fluid 1000CST	1
5451	Silicone Diff Fluid 2000CST	1
5452	Silicone Diff Fluid 3000CST	1
5453	Silicone Diff Fluid 5000CST	1
5454	Silicone Diff Fluid 7000CST	1
5455	Silicone Diff Fluid 10000CST	1

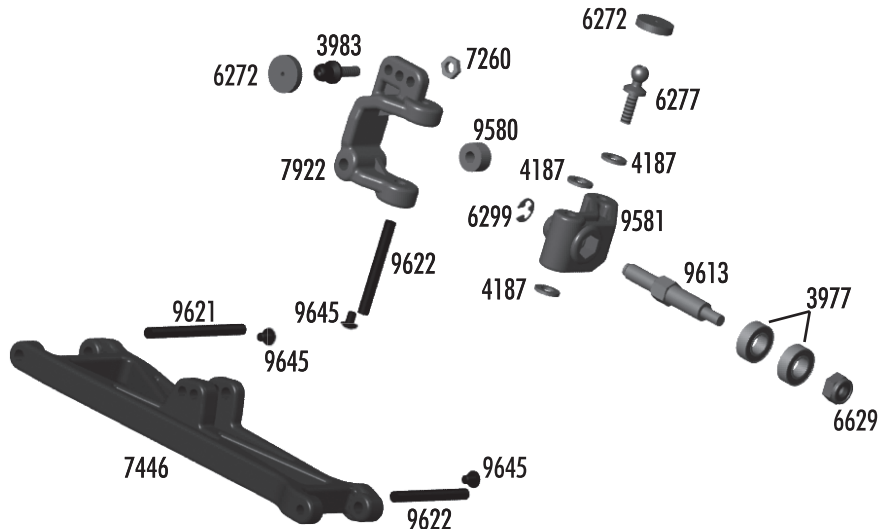
:: Front Bumper / Shock Tower

3897	Pivoting Body Mounts	Set
6272	Foam Ballend Dust Covers	28
6277	Ballstud .30 Silver (short)	4
6292	4-40 x 3/8" FHCS	6
6295	4-40 Nut	18
6332	Body Clips	6
6915	4-40 x 5/8" FHCS	6
6924	4-40 x 3/8" SHCS	6
6925	4-40 x 1/2" SHCS	6
7738	4-40 x 7/8" SHCS	6
9630	.030" Ballstud Washer	10
9816	SC10 Front Bumper, Front Bumper Brace, Skid Plate	Set
9820	SC10 Front Body Mount	1
9821	SC10 Front Body Posts	Set
9825	SC10 Front Shock Tower	1



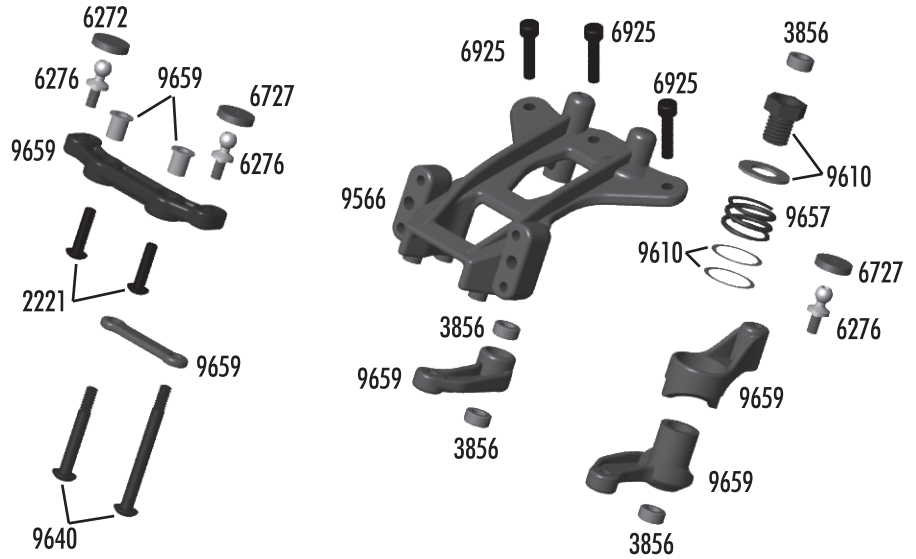
:: Front Arms / Steering

3977	Ball Bearing 3/16" x 3/8"	2
3983	Ballstud .30" Black (short)	6
4187	.030 Nylon Washers	12
6272	Foam Ballend Dust Covers	28
6277	Ballstud .30 Silver (short)	4
6299	1/8" E-Clip	12
6629	5-40 Locknut	6
7260	4-40 Plain Nut	12
7446	T4 Front A-Arm (left & right)	Pr.
7922	30° Caster Blocks (left & right)	Pr.
9580	Spacer	Set
9581	Trailing Steering Block	Pr.
9613	B4 Trailing Axle	2
9621	B4 Inner Hinge Pin Set	Set
9622	B4 Outer Hinge Pin Set	Set
9645	2-56 x 1/8" BHCS	8



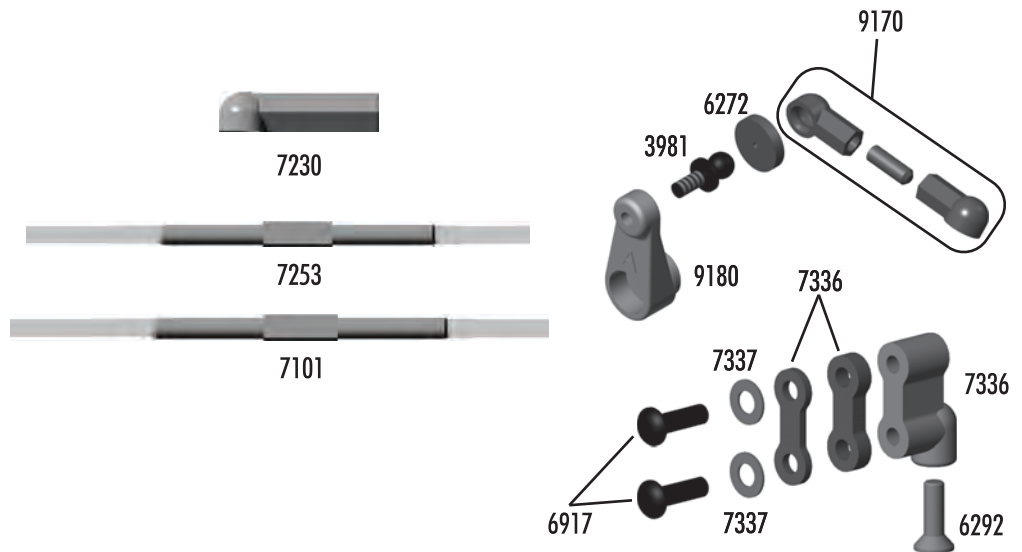
:: Front Bulkhead

2221	4-40 x 7/16" BHCS	6
3856	Steering Bushings	Set
6272	Foam Ball end Dust Covers	28
6276	Ballstud .20" Silver (short)	6
6925	4-40 x 1/2" SHCS	6
9566	B4 / T4 Top Plate	1
9610	Servo Saver / Steering Hardware	Set
9640	B4 / T4 Steering Bolt, left & right	Set
9657	B4 / T4 HD Servo Saver Spring	1
9659	B4 / T4 Steering Set. Includes Rack, Bellcrank, Servo Saver, Steering Brace	1



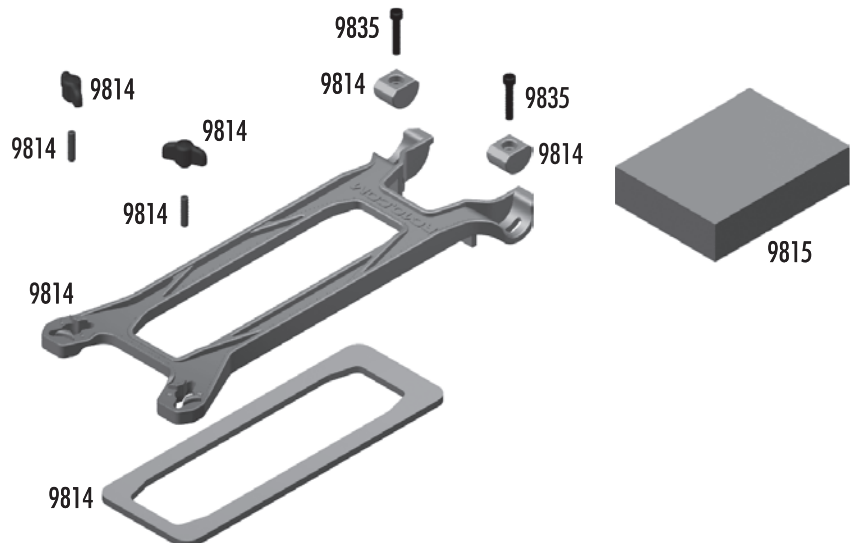
:: Turnbuckles / Servo

3981	Ballstud .20" Black (short)	6
6272	Foam Ballend Dust Cover	28
6292	4-40 x 3/8" FHCS	6
6917	4-40 x 3/8" BHCS	6
7101	Turnbuckle 2.80"	Pr.
7230	Ballcaps, large	12
7253	Turnbuckle 2.62"	Pr.
7336	Servo Mount Set	Set
7337	Gold Washer	4
9170	B4 / T4 Servo Link	1
9180	Servo Horns Set	Set



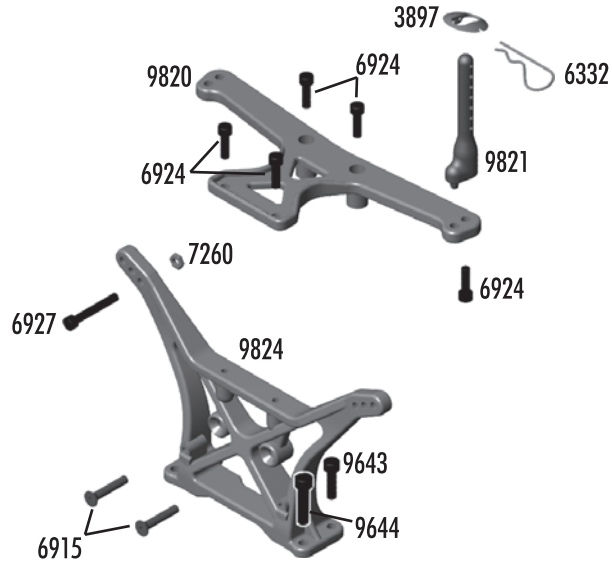
:: Battery Strap

9814	Battery Strap and Hardware	Set
Includes Battery Strap, Adhesive Foam, Thumb Knobs, Strap Pivots, & Hardware		
9815	SC10 Foam Battery Spacer	1
9835	5-40 x 3/4" SHCS	6



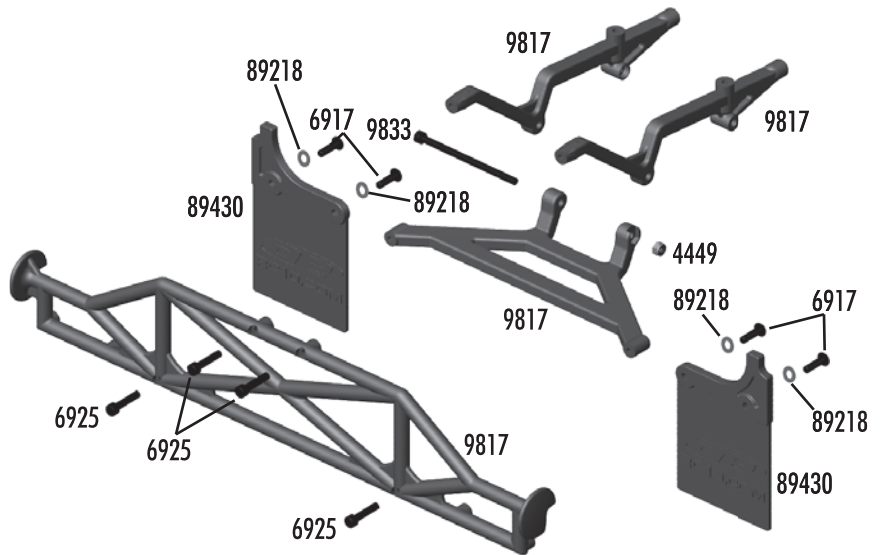
:: Rear Shock Tower

3897	Pivoting Body Mounts	Set
6332	Body Clips	6
6915	4-40 x 5/8" FHCS	6
6924	4-40 x 3/8" SHCS	6
6927	4-40 x 3/4" SHCS	6
7260	4-40 Plain Nut	12
9643	5-40 x 7/16" SHCS	6
9644	5-40 x 9/16" SHCS	6
9820	SC10 Body Mounts FR / RR	Set
9821	SC10 Body Posts	Set
9824	T4 / SC10 Rear Shock Tower	1



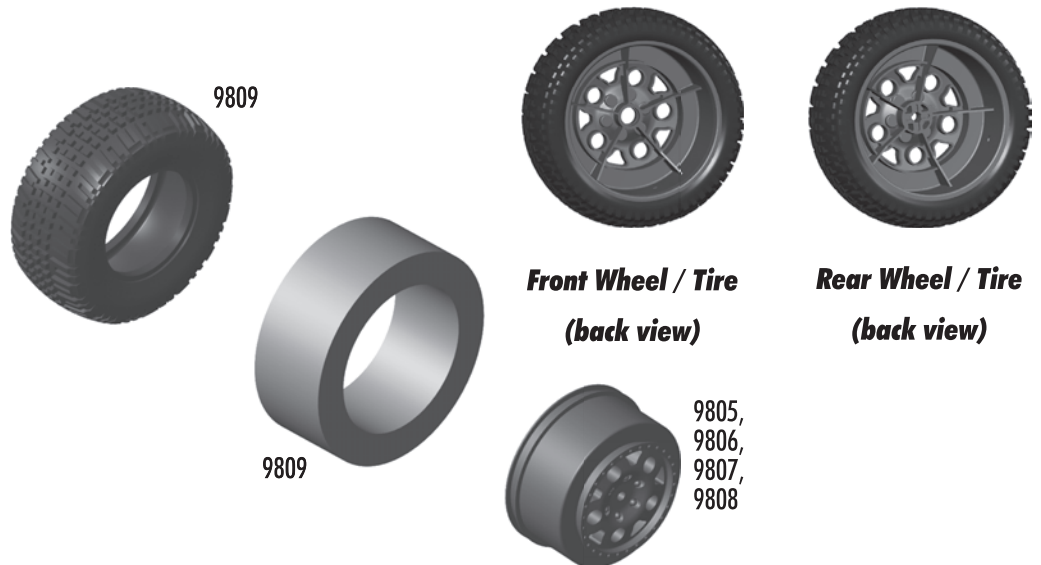
:: Rear Bumper / Braces

4449	4-40 x 3/16" Aluminum Locknut	5
6917	4-40 x 3/8" BHCS	6
6925	4-40 x 1/2" SHCS	6
9817	SC10 RR Bumper and Brace, Includes Bumper, Braces (left, right, upper, and lower),	Set
9833	4-40 x 1 3/4" SHCS	6
89218	3x8mm washer	10
89430	Mud Flaps	Pr.



:: Wheels / Tires

9805	SC10 KMC Wheel FR (silver)	2
9806	SC10 KMC Wheel RR (silver)	2
9807	SC10 KMC Wheel FR (black) (Kit)	2
9808	SC10 KMC Wheel RR (black) (Kit)	2
9809	SC10 Tire with Foam Insert	2
9810	SC10 Tire / Wheel FR (silver)	2
9811	SC10 Tire / Wheel RR (silver)	2
9812	SC10 Tire / Wheel FR (black)	2
9813	SC10 Tire / Wheel RR (black)	2



:: Factory Team and Option Parts

1283	FT T4 Ti Turnbuckle Set	Set
1406	FT Ti Turnbuckle, 2.00" (blue)	Pr.
1408	FT Ti Turnbuckle, 2.65" (blue) for front steering	Pr.
1409	FT Ti Turnbuckle, 1" (sway bar) (blue)	Pr.
1417	FT Ti Turnbuckle, 2.80" (blue) for front / rear camber	Pr.
1585	FT B4 Aluminum Trailing Axle	Pr.
1598	FT Blue Aluminum Shock Caps, (blue) see also #6439	4
1654	FT Solid Axle Pins	4
1734	FT Blue Body Clip, 4 long, 6 short	10
1735	FT Blue Body Clip, long	4
1736	FT Blue Body Clip, short	6
1770	FT Milled Aluminum Motor Plate, (blue)	1
1777	Blue Aluminum Shock Ball Ends with Eyelets	Set
1778	FT Milled Aluminum Motor Plate, (black)	1
1779	FT Servo Mounts, blue aluminum	Pr.
1780	FT Blue Aluminum Threaded Shock Bushings	4
1781	FT Rear Shock Bushing (short)	4
3438	8-32 LP Locknuts (blue)	3
3971	Steering Rack Bearings	4
6416	Gold Shock Shaft, 1.32" stroke	1
6417	Gold Shock Shaft, 1.02" stroke	1
6439	FT Blue Aluminum Shock Caps, (blue) see also #1598	1
6443	Bleeder Shock Caps, 1/10	4
6463	Shock Pistons, Blank	8
6906	Ball Bearing, PTFE Sealed 3/16 x 3/8"	2
6937	FT 4-40 Aluminum Locknuts (blue)	6
6943	FT 8-32 Aluminum Locknuts (blue)	6
7381	CVD Rebuild Kit	Set
7412	Rear Threaded Shock Body, 1.39"	Pr.
7414	Front Threaded Shock Body, 1.02"	Pr.
7416	FT Threaded Shock Collar & O-Rings	Pr.
7447	T4 Front A-Arm, Carbon	Pr.
7449	T4 Rear A-Arm, Carbon	Pr.
7453	CVD Axle Bone T4 (black)	Pr.
7455	CVD Set T4	Pr.
7922	Caster Block 30 deg, (left & right) (Kit)	Pr.
7990	Aluminum Front Bulkhead (blue)	1
9565	B4 / T4 Chassis Brace, Hinge Pin Brace, Carbon	1
9567	B4 / T4 Top Plate, Carbon	1
9577	B4 / T4 Steering Block, Inline (left & right) (req. #9623)	Pr.
9592	B4 / T4 Caster Block 20 deg, (left & right)	Pr.
9598	CVD Axles T4	Pr.
9600B	FT B4 / T4 Aluminum Motor Plate (blue)	1
9608	RR Axle Wheel Spacer (silver)	Pr.
9610B	B4 / T4 Blue Servo Saver Bolt	1
9623	FT B4 Front Inline Axle (req. #9577)	Pr.
9633	FT T4 Front Threaded Shock Kit, 1.02"	Pr.
9634	FT T4 Rear Threaded Shock kit, 1.39"	Pr.
9635	B4 / T4 Sway Bar Kit. Includes color coded bars, soft (black), med (silver), hard (gold)	Set
9665	FT B4 / T4 Aluminum Hinge Pin Brace V2	1
9674	T4 Shiny CVD Dogbone	Pr.
9789	SC10 / B4 FT Titanium Front Axles	Set

:: Factory Team and Option Parts (cont.)

9795	Ti Nitride Ballstuds 4-40 x .20 - long	Pr.
9796	Ti Nitride Ballstuds 4-40 x .30 - long	Pr.
9797	Ti Nitride Ballstuds 4-40 x .40 - long	Pr.
9798	Ti Nitride Ballstuds 4-40 x .20 - short	Pr.
9799	Ti Nitride Ballstuds 4-40 x .30 - short	Pr.
9851	SC10 Battery Strap, Carbon	1

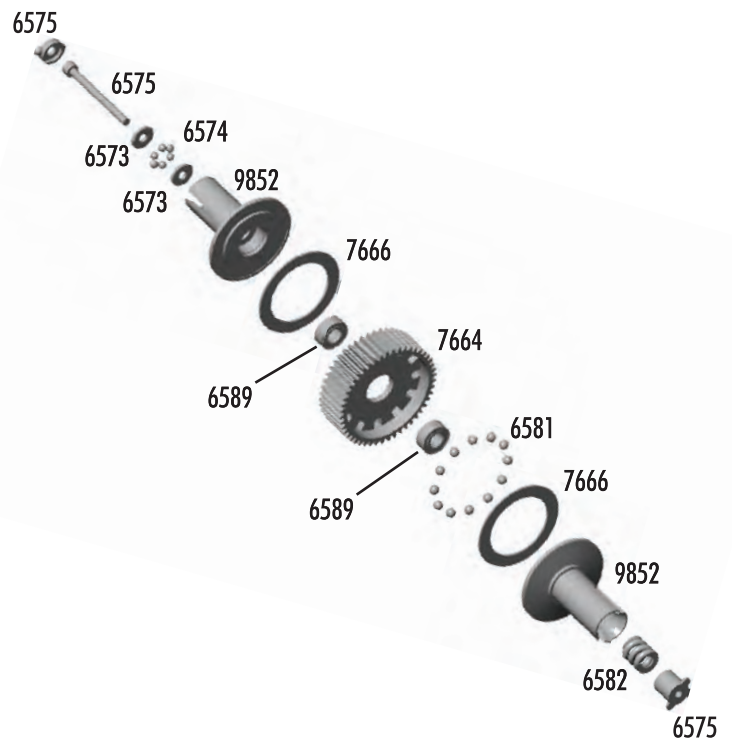
:: Lubes and Adhesives

1105	Green Slime Shock Lube	4cc
1596	FT Locking Compound	10ml
1597	FT Tire Adhesive	.70oz
6588	Black Grease	4cc
6591	Diff Lube	4cc
6636	Silicone Lube	4cc
6727	Servo Tape Strips	2



:: Ball Diff Transmission Option

6573	Diff Thrust Washer & Bolt	2
6574	Precision Diff Thrust Balls, 5/64"	6
6575	Locking T-Nut, Diff Thrust Bolt, & Cover	Set
6581	3/32" Carbide Diff Balls	12
6582	Diff Thrust Spring	1
6589	Ball Bearing, 5/32 x 5/16" unflanged	2
7664	Diff Gear 52T	1
7666	Diff Drive Rings, 2.60:1	2
7667	Diff Outdrive Hub, Right, 2.60:1	1
7668	Diff Outdrive Hub, Left, 2.60:1	1
7677	B4 / T4 / GT Diff Rebuild Kit	1
9574	B4 / T4 Transmission Case (left & right)	1
9852	SC10 Ball Diff Outdrives	1
9853	SC10 Complete Ball Differential	1



:: Electronics

29131	SHV1504 Servo	1
29132	SHV1504MG Servo	1
29140	XP SC200 ESC Forward / Reverse / Brake	1
29141	XP SC450BL Brushless ESC	1
29166	XP DS1313 Performance Digital Servo	1
29167	XP DS1015 Hi-Torque / Hi-Speed Digital Servo	1
29221	XP3-SS 2.4ghz Radio	1
29222	XP3-SS 2.4ghz Receiver	1

:: Reedy Motors

300	Stockstar 27-turn ROAR Stock	1
410	Flash 12-turn Modified	1
411	Flash 13-turn Modified	1
412	Flash 14-turn Modified	1
413	Flash 15-turn Modified	1
414	Flash 17-turn Modified	1
415	Flash 19-turn Modified	1
416	Flash 55-turn	1
517	Challenger 19-turn ROAR Spec	1
916	540R Brushless Motor 3300kV	1
917	540R Brushless Motor 3900kV	1
918	540R Brushless Motor 4900kV	1
919	540R Brushless Motor 6100kV	1
9626	Reedy Radon 30,000 RPM	1

:: Reedy Batteries and Chargers

302	AA Alkaline 1.5V (4)	1
303	AA 2700mAh NiMH 1.2V Rechargeable	1
610	Reedy AC/DC 4-7 Cell NiMH/NiCd Charger	1
654	4.0mm Gold Connectors (2M, 2F)	1
681	Wolfpack 2400mAh 7.2V w/DEANS® connector	1
682	Wolfpack 3000mAh 7.2V w/DEANS® connector	1
683	Wolfpack 3600mAh 7.2V w/DEANS® connector	1
684	Wolfpack 4200mAh 7.2V w/DEANS® connector	1
685	LiPo 5000mAh 7.4V 40C+	1
686	LiPo 4200mAh 7.4V 40C+ SP	1
689	R-Power 1700mAh 7.2V w/TAM connector	1
693	Wolfpack 2400mAh 7.2V w/TAM connector	1
694	Wolfpack 3000mAh 7.2V w/TAM connector	1
695	Wolfpack 3600mAh 7.2V w/TAM connector	1
696	Wolfpack 2400mAh 7.2V w/TRA connector	1
697	Wolfpack 3000mAh 7.2V w/TRA connector	1
698	Wolfpack 3600mAh 7.2V w/TRA connector	1
699	Wolfpack 3600mAh 9.6V w/TRA connector	1
700	Wolfpack 4200mAh 7.2V w/TAM connector	1
703	LiPo 5000mAh Pro 7.4V 20C	1
704	LiPo 5000mAh 7.4V 20C w/TAM connector	1
709	LiPo 5000mAh 7.4V 35C ROAR Spec	1
711	LiPo 4900mAh 7.4V 35C EFRA Spec	1
712	LiPo 4200mAh 7.4V 35C SP EFRA Spec	1
713	LiPo 2400mAh 7.4V 20C Stick	1
714	LiPo 3400mAh 7.4V 25C Stick	1
723	LiFe 4000mAh 6.6V 30C	1
724	Wolfpack 3000mAh 8.4V w/DEANS® connector	1
725	Wolfpack 3600mAh 8.4V w/DEANS® connector	1

:: Reedy Accessories

651	Battery Bars (8)	1
652	Battery Bars (30)	1
653	Battery Bars (100)	1
654	4.0mm plugs (2M, 2F)	1
655	4.0mm plugs (2M, 10F)	1
656	4.0mm plugs (10F)	1
657	4.0mm plugs (100F)	1
658	4.0mm plugs (10M)	1
659	4.0mm plugs (30M)	1
660	3.5mm plugs (3M, 3F)	1
661	3.5mm plugs (10F)	1
662	3.5mm plugs (100F)	1
663	3.5mm plugs (10M)	1
664	3.5mm plugs (30M)	1
665	Single Cell Shrink - Clear (12)	1
666	Single Cell Shrink - Clear (30)	1
667	Single Cell Shrink - Clear (100)	1
716	Reedy 09 Decal Set	1
718	LiPo Charging Sack	1

:: LRP Speed Controls

LRP8320	AI Super Reverse	1
LRP8325	AI Pro Reverse	1
LRP8337	AI Bullet Reverse	1
LRP80100	AI Brushless Reverse	1
LRP80150	AI Brushless Pro Reverse	1
LRP80400	SPX Brushless Super Reverse	1
LRP80710	SPX Competition Stock Spec	1
LRP80800	V 8.1	1
LRP80830	Quantum Competition 3	1
LRP80900	SXX Competition Speed Control	1
LRP80910	SXX Stock-Spec	1
LRP80950	SXX TC-Spec Speed Control	1
LRP86500	NEXXT 4X esc	1

:: LRP Brushless Motors

LRP50642	LRP X-12 9.5 Turn	1
LRP50652	LRP X-12 8.5 Turn	1
LRP50662	LRP X-12 7.5 Turn	1
LRP50672	LRP X-12 6.5 Turn	1
LRP50682	LRP X-12 5.5 Turn	1
LRP50687	LRP X-12 5.0 Turn	1
LRP50692	LRP X-12 4.5 Turn	1
LRP50702	LRP X-12 4.0 Turn	1
LRP50712	LRP X-12 3.5 Turn	1
LRP50722	LRP X-12 3.0 Turn	1
LRP50832	Vector X-12 Stock-Spec 10.5 Turn	1
LRP50842	Vector X-12 Stock Spec 13.5 Turn	1
LRP50852	Vector X-12 Stock Spec 17.5 Turn	1
LRP50862	Vector X-12 Stock Spec 21.5 Turn	1

:: LRP Brushless Combo's

LRP80572	SPX / X-12 SS 10.5 Turn	1
LRP80573	SPX / X-12 SS 13.5 Turn	1
LRP80574	SPX / X-12 SS 17.5 Turn	1
LRP80575	SPX / X-12 SS 21.5 Turn	1
LRP80585	AI Pro / X-11 Short Course Combo	1
LRP80640	SXX TC / X-12 3.0 Turn	1
LRP80641	SXX TC / X-12 3.5 Turn	1
LRP80642	SXX TC / X-12 4.0 Turn	1
LRP80643	SXX TC / X-12 4.5 Turn	1
LRP80644	SXX TC / X-12 5.0 Turn	1
LRP80645	SXX TC / X-12 5.5 Turn	1
LRP80646	SXX TC / X-12 6.5 Turn	1
LRP80647	SXX TC / X-12 7.5 Turn	1
LRP80648	SXX TC / X-12 8.5 Turn	1
LRP80649	SXX TC / X-12 9.5 Turn	1
LRP80654	SXX COMP / X-12 5.0 Turn	1
LRP80655	SXX COMP / X-12 5.5 Turn	1
LRP80656	SXX COMP / X-12 6.5 Turn	1
LRP80657	SXX COMP / X-12 7.5 Turn	1
LRP80658	SXX COMP / X-12 8.5 Turn	1
LRP80659	SXX COMP / X-12 9.5 Turn	1
LRP80673	SXX Stock-Spec / X-12 SS 10.5 turn	1
LRP80674	SXX Stock-Spec / X-12 SS 13.5 turn	1
LRP80675	SXX Stock-Spec / X-12 SS 17.5 turn	1

:: LRP Misc.

LRP50620	X-12 Replacement Ball Bearings	1
LRP50621	X-12 Optional Ceramic Ball Bearings	1
LRP50622	X-12 Small parts Set	1
LRP50623	X-12 PreciSensor Unit	1
LRP50624	X-12 Replacement alum. Front can	1
LRP50625	X-12 Lightweight Alum. Can	1
LRP50626	X-12 Alum Rear Cover	1
LRP50632	X-12 12.0mm sintered rotor	1
LRP50633	X-12 12.5mm sintered rotor	1
LRP50634	X-12 13.0mm sintered rotor	1
LRP80135	BEC Stabilizing capacitor	1
LRP82520	BRUSHLESS/BRUSHED COOLING SET	1
LRP82511	BRUSHLESS LOW PROFILE FAN	1
LRP819307	70mm High Flex Sensor Wire	1
LRP819310	100mm High Flex Sensor Wire	1
LRP819315	150mm High Flex Sensor Wire	1
LRP819320	200mm High Flex Sensor Wire	1

:: LRP Chargers, Power Supply, Balancer, Iron

LRP41552	Pulsar Competition 3 Charger	1
LRP43150	Power Supply Competition	1
LRP45200	LiPo Parallel Balancer	1
LRP65800	High Power Solder Station	1
LRP65802	Soldering Tip 5mm	1
LRP65803	Soldering Tip 1.2mm	1
LRP65804	Soldering Handle	1

:: Bodies and Decals

9836	SC10 Clear Body	1
9837	SC10 '09 Clear Body	1
9838	SC10 KMC Body, pre-painted & detailed	1
9839	SC10 Lucas Oil Body, pre-painted & detailed	1
9840	SC10 Bully Dog Body, pre-painted & detailed	1
9841	SC10 Pro Comp Body, pre-painted & detailed	1
9842	SC10 AE Body, pre-painted & detailed	1
9843	SC10 KMC Decal Sheet	1
9844	SC10 Lucas Oil Decal Sheet	1
9845	SC10 Bully Dog Decal Sheet	1
9846	SC10 Pro Comp Decal Sheet	1
9847	SC10 AE Decal Sheet	1
9848	SC10 Ready Lift Body, pre-painted & detailed	1
9849	SC10 Ready Lift Decal Sheet	1
9854	SC10 Papas & Beer, pre-painted & detailed	1
9855	SC10 Papas & Beer Decal Sheet	1
9856	SC10 '09 Lucas Oil Body, pre-painted & detailed	1
9857	SC10 '09 Lucas Oil Decal Sheet	1
9858	SC10 '09 Pro Comp Body, pre-painted & detailed	1
9859	SC10 '09 Pro Comp Decal Sheet	1
9860	SC10 '09 Speed Tech Body, pre-painted & detailed	1
9861	SC10 '09 Speed Tech Decal Sheet	1
9862	SC10 '09 Rockstar Body, pre-painted & detailed	1
9863	SC10 '09 Rockstar Decal Sheet	1

:: 1/18 Kits and RTR's

20100	RC18T RTR (ready-to-run)	1
20101	RC18T2 2.4ghz RTR (ready-to-run)	1
20103	RC18B2 - RC18T2 Team Kit	1
20105	RC18B RTR (ready-to-run)	1
20106	RC18B2 2.4ghz RTR (ready-to-run)	1
20110	RC18MT RTR (ready-to-run)	1
20115	RC18R Kamino RTR (ready-to-run)	1
20118	RC18R Niteline RTR (ready-to-run)	1
20120	SC18 RTR (ready-to-run)	1
20130	RC18LM RTR (ready-to-run)	1

:: 1/12, 1/10 Kits and RTR's

2033	FT Nitro TC3 Kit	1
2042	Nitro TC3 RTR Plus (ready-to-run)	1
4019	FT 12R5.1 Kit	1
7020	RC10T4 Team Truck Kit	1
7022	FT RC10T4 Team Truck Kit	1
7027	SC10 2WD Short Course Race Truck Kit	1
7029	SC10 Associated/RC10.com Race Truck RTR (ready-to-run)	1
7030	SC10 KMC Wheels Race Truck RTR (ready-to-run)	1
7032	SC10 Ready Lift RTR (ready-to-run)	1
7036	RC10T4 RTR 2.4GHz Brushed (ready-to-run)	1
7037	RC10T4 RTR 2.4GHz Brushless (ready-to-run)	1
7040	SC10 RTR, 2.4ghz Lucas Oil Body	1
7041	SC10 RTR, 2.4ghz Speed Tech / Bully Dog Body	1
7042	SC10 RTR, 2.4ghz Rockstar Body	1
7043	SC10 RTR, 2.4ghz Pro Comp Body	1
7080	FT GT2 Nitro Truck Kit	1
7092	GT2 RS Truck Nitro RTR (ready-to-run)	1

:: 1/12, 1/10 Kits and RTR's (cont.)

8020	FT RC10R5 Kit	1
8021	FT RC10R5-OVAL Kit	1
9034	RC10B4 Buggy Kit	1
9035	FT RC10B4 Buggy Kit	1
9038	RC10B4 RTR 2.4GHz Brushed (ready-to-run)	1
9039	RC10B4 RTR 2.4GHz Brushless (ready-to-run)	1
9060	FT B44 4WD Buggy Kit	1
20515	MGT 3.0 Nitro Monster Truck RTR (ready-to-run)	1
30104	FT TC5F Foam Tire Edition 4WD Touring Car Kit	1
30105	FT TC5R Rubber Tire Edition 4WD Touring Car Kit	1
30111	TC4 4WD Touring Car RTR (ready-to-run)	1

:: 1/8 Kits and RTR's

20503	Limited Edition MGT 4.60 Nitro RTR, with flag body (ready-to-run)	1
20504	Limited Edition MGT 8.0 Nitro RTR, with flag body (ready-to-run)	1
80901	RC8e 4WD Electric Buggy Kit	1
80902	FT RC8B Nitro Buggy Kit	1
80905	RC8RS "Race Spec" Nitro Buggy RTR (ready-to-run)	1
80911	RC8Te 4WD Electric Tuggy Kit	1
80912	RC8T Championship Edition	1
80915	RC8T-RS "Race Spec" Nitro Truggy RTR (ready-to-run)	1
80920	SC8 Short Course Race Truck, Red Bull Nitro RTR (ready-to-run)	1
80921	SC8 Short Course Race Truck, Lucas Oil Nitro RTR (ready-to-run)	1
80922	SC8 Short Course Race Truck, KMC Wheels Nitro RTR (ready-to-run)	1
80923	SC8 Short Course Race Truck, Bully Dog Nitro RTR (ready-to-run)	1
80924	SC8 Short Course Race Truck, AE Team Nitro RTR (ready-to-run)	1
80925	SC8 Short Course Race Truck, Pro Comp Nitro RTR (ready-to-run)	1
80931	SC8e 4WD Electric Short Course Race Truck, Kit	1

Check out www.TeamAssociated.com - www.RC10.com for the latest kits, RTRs, and option parts for your SC10 and other Associated vehicles!

:: Apparel

SP35**	Reedy 09' White T-Shirt (M, L, XL, XXL, XXXL)	1
SP36**	Reedy 09' Black T-Shirt (M, L, XL, XXL, XXXL)	1
SP58**	AE Logo Black T-Shirt (M, L, XL, XXL)	1
SP59**	AE Logo Blue T-Shirt (M, L, XL, XXL)	1
SP60**	AE Hooded Sweatshirt (S, M, L, XL, XXL)	1
SP102	1/10 Inner and Outer Boxes Only	Set
SP103	1/10 Inner Boxes Only	Pr.
SP410**	AE Hats Black (S-M, L-XL, XXL-XXXL)	1
SP416	1/10 Car Carrier Bag Only	1
SP417	1/10 FT Motor Bag	1
SP418	1/10 FT Car Carrier Bag with Boxes	Set
SP420**	AE Pit Gloves (M, L, XL)	Pr.
715	Reedy 2009 Track Banner	1
110684	Team Associated Track Banner	1

** Use part number plus the desired size when ordering!

:: Tools

1111	FT Turnbuckle Wrench	1
1449	Offroad Ride Height Gauge	1
1450	FT Ride Height Gauge	1
1541	FT Hex Driver Set (7 pcs)	Set
1542	FT .050" Silver Hex Driver	1
1543	FT 1/16" Black Hex Driver	1
1544	FT 1.5mm Purple Hex Driver	1
1545	FT 5/64" Blue Hex Driver	1
1546	FT 3/32" Gold Hex Driver	1
1547	FT 2.5mm Green Hex Driver	1
1548	FT 3mm Red Hex Driver	1
1551	FT Screwdriver Set	1
1553	FT Phillips Silver Screwdriver	1
1554	FT Silver Spring Hook Tool	1
1561	Full Set of 6 FT Nut Drivers	Set
1562	FT 3/16" Black Nut Driver	1
1563	FT 1/4" Red Nut Driver	1
1564	FT 5.5mm Red Nut Driver	1
1565	FT 11/32" Green Nut Driver	1
1566	FT 7.7mm Silver Nut Driver	1
1567	FT 8mm Gold Nut Driver	1
1589	FT 5/64" Blue Ball Hex Driver	1
1590	FT 3/32" Gold Ball Hex Driver	1
1592	Full Set of 3 Ball Hex Drivers	Set
1719	FT Camber + Track Width Tool	1
1737	FT Body Scissors	1
3718	12 Inch Nylon Wire Ties	12
3719	6 Inch Nylon Wire Ties	12
3720	8 Inch Nylon Wire Ties	12
3987	FT Droop Gauge	1
6429	Shock Building Tool	1
6956	Molded Tools	Set
7709	4 Inch Nylon Wire Ties	12



Associated Electrics, Inc.
26021 Commercentre Drive
Lake Forest, CA 92630-8853

call: (949) 544-7500 - fax: (949) 544-7501
Check out the following web sites for all of our electric kits,
current products, new releases, setup help, tips, and racing info!
www.TeamAssociated.com - www.RC10.com

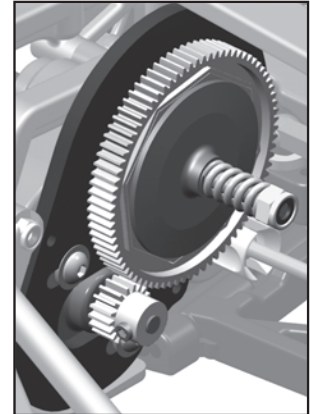
:: Adjustments / Tips

Motor Gearing:

Proper motor gearing will result in maximum performance and run time while reducing the chance of overheating and premature motor failure. The gear ratio chart lists recommended starting gear ratios for the most widely used motor types. Gear ratios will vary depending upon track conditions, driving style, and personal preference. Generally, you should not increase the pinion gear size more than one tooth greater than the starting size.

SC10 Gear Ratio Chart

MOTOR	Pinion	Spur	FDR
27T Stock Motor	19	87	11.91:1
19T Super Stock Motor	19	87	11.91:1
17T Modified Motor	24	87	9.43:1
15T Modified Motor	22	87	10.28:1
14T Modified Motor	21	87	10.77:1
17.5 Brushless Motor	28	75	6.96:1
13.5 Brushless Motor	26	75	7.50:1
10.5 Brushless Motor	24	87	9.42:1



Set The Gear Mesh

You should be able to rock the spur gear back and forth in the teeth of the pinion gear without making the pinion gear move. If the spur gear mesh is tight, then loosen the #31531 screws and move the motor away, then try again. A gear mesh that is too tight or too loose will reduce power and damage the gear teeth.

MAINTENANCE

Check For Fit

Periodically check all moving suspension parts. Suspension components must be kept clean and move freely without binding to prevent poor and/or inconsistent handling.

Motor Maintenance

Brushed motors require frequent maintenance to keep performance levels at their maximum. Between runs and after letting the motor cool completely, inspect the brushes to ensure that they are moving freely in their holders. Remove the springs and slide the brushes in and out of their holders checking for any resistance or rough spots. If found, remove the brush and carefully wipe it clean. Removing buildup will allow the brush to slide freely and create maximum contact with the commutator resulting in maximum power output.

After every 3-5 runs, remove the brushes from their holders and inspect the tips for wear or burning. If there is noticeable wear (less than 75% of the brush remaining), replace the brush with a new pair. If the tips become a burned blue color, the lubricant in the brush has been burned away and new brushes should be installed.

Occasionally, the motor should be cleaned with a soft brush to prevent dirt build up around the brush hood area and ball bearings. At this time, it is a good idea to add one drop of bushing/bearing oil to each bushing or ball bearing.

If using a brushless motor, please refer to the motor manufacturer's guidelines for proper maintenance.

Slipper Clutch

The assembly instructions give you a base setting for your clutch. Turn the nut on the shaft so that the end of the top shaft is even with the outside of the nut. Tighten the nut 3 more turns. At the track, tighten or loosen the nut in 1/8 turn increments until you hear a faint slipping sound for 1-2 feet on takeoffs.

Another popular way to set the clutch is to hold both rear tires firmly in place and apply short bursts of throttle. If the clutch is properly set, the front tires should lift slightly up off the surface.

:: Adjustments / Tips

Front Camber Links

Changing the length of the camber link is considered a bigger step than adjusting the ball end height on the tower. Shortening the camber link (or lowering the ball end) will give the front end less roll and quicken steering response. Lengthening the camber link (or raising the ball end) will give the front more roll and slower steering response.

Longer camber links are typically used on high grip tracks and shorter links tend to work better on medium-grip loose tracks.

Caster

Caster describes the angle of the kingpin as it leans toward the rear of the vehicle. Positive caster means the kingpin leans rearward at the top. The supplied 30° caster blocks (#7922) are recommended in most cases. For less corner entry steering and more exit steering, try the optional 25° blocks (#7919).

Front Camber

Camber describes the angle at which the tire and wheel rides when looked at from the front. Negative camber means that the tire leans inward at the top.

A good starting camber setting is -1°. Use the included #1719 camber gauge to set your camber. Positive camber, where the top of the tire is leaning out, is not recommended.



* Raise or lower the ball end by adding or subtracting washers here



* Testing camber with camber gauge

Rear Camber Link

Changing the length of the camber link is considered a bigger step than adjusting the ball end height on the rear chassis brace. Shortening the camber link (or lowering the ball end) will give the rear end less roll and the car will tend to accelerate or "square up" better. Lengthening the camber link (or raising the ball end) will give the rear more roll and more cornering grip. Longer camber links are typically used on high grip tracks, while shorter links tend to work better on med-grip loose tracks. The kit setting is the best compromise of cornering grip and acceleration.



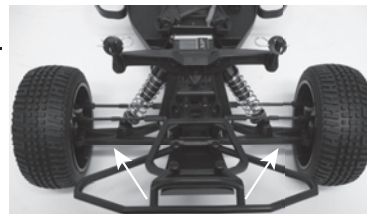
* Raise or lower the ball end by adding or subtracting washers here

Rear Camber

Camber describes the angle at which the tire and wheel rides when looked at from the back. Negative camber means that the tire leans inward at the top. A good starting camber setting is -1°. Use the included #1719 camber gauge to set your camber. Adding a small amount of positive camber, where the top of the tire is leaning out, will tend to improve straight-line acceleration on loose tracks.

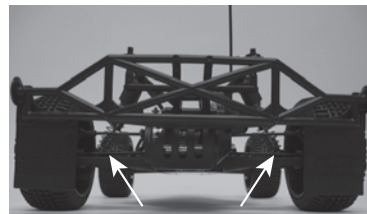
Ride Height

Ride height is the distance from the ground to the bottom of the chassis. The standard front ride height setting is with the front arms level (referred to as "arms level"). Check the ride height by lifting up the entire car about 8-12 inches off the bench and drop it. After the suspension "settles" into place, add or remove pre-load clips so that the left & right arms appear to be level.



* Front arms should be in a straight line when ride height is set at "arms level"

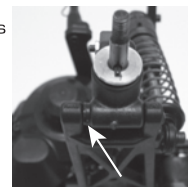
The rear ride height setting you should use most often is with the outdrive, driveshaft, and axles all on the same imaginary horizontal line (referred to as "bones level"). Check the ride height by lifting up the entire car about 8-12 inches off the bench and drop it. After the suspension "settles" into place, add or remove pre-load clips so that the left & right driveshafts appear to be level.



* Dogbones should be in a straight line when ride height is set at "dogbones level"

Wheelbase Adjustment

You have three options for rear hub spacing, Forward, Middle, & Back. The kit setting provides the most rear traction, and will be used most often. A short wheelbase will make the rear end more responsive.



* Spacers to the rear will place hubs forward, shortening the wheelbase

Anti-Roll bar

The optional #9635 rear anti-roll bar kit (also called the "swaybar") allows you to add roll resistance to the rear end with minimal effect on handling over bumps and jumps. It is an especially helpful tuning item on high-grip tracks (try the gold bar). The silver and black anti-roll bars are typically used on medium-grip loose tracks.

:: Notes:

A large, empty rectangular area for taking notes, framed by a thin black border.

SC10

:: Driver: SC10 2.4g Standard Setup :: Date: _____
:: Track: _____
:: Event: _____

Setup Sheet for Team Associated's SC10

Rev. 1

:: Front End

camber: -1

washers: 1

ABC

IO

toe: 0

ride height: arms level

bump steer spacer: 2

axle height

up 20°
 middle 25°
 down 30°

:: Rear End

camber: 0

washers: 1

anti-squat

std
 other

ABC

IO

rear hub carriers

std
 0°
 0.5°
 1°

ride height: bones level

wheel base

long
 medium
 short

anti-roll bar

none
 black (soft)
 silver (med)
 gold (hard)

:: Front Shocks

spring: gold piston: #3
shock oil: 30wt limiter: 5 thin

:: Rear Shocks

spring: Green piston: #1
shock oil: 30wt limiter: 2 thin

:: Electronics

motor & wind: Reedy Radon 17 turn
pinion: 16
spur gear: 87
esc: XP SC200 setting: see manual
batteries: not included
battery placement: back, cut foam block

:: Transmitter

radio: _____
steering expo: _____
brake e.p.a.: _____
throttle expo: _____
servo: _____
initial brake: _____ drag brake: _____

:: Other

body: SC10 09
notes: _____

:: Gear Differential

fluid: black grease

:: Front Tires

tire: standard
compound: _____
insert: _____
wheel: _____

:: Rear Tires

tire: standard
compound: _____
insert: _____
wheel: _____

:: Race and Vehicle Comments

qualify: _____ main: _____ finish: _____ tq:
comments: _____

:: Track Info

smooth: bumpy: blue groove:
traction: high med. low
soft dirt: grass: clay: wet:
dusty: other: _____

:: For more setups, visit www.RC10.com and click on 'Setup Sheets'

:: Hardware - 1:1

socket head (shcs)

	4-40 x 1/4 (6285)
	4-40 x 3/8 (6924)
	4-40 x 1/2 (6925)
	4-40 x 5/8 (6926)
	4-40 x 3/4 (6927)
	4-40 x 7/8 (7738)
	4-40 x 1 (6928)
	4-40 x 1 1/4 (6913)
	4-40 x 1 3/4 (9833)
	5-40 x 7/16 (9643)
	5-40 x 9/16 (9644)
	5-40 x 3/4 (9835)

flat head (fhcs)

	2.5x6mm (4675)
	4-40 x 3/8 (6292)
	4-40 x 1/2 (6922)
	4-40 x 5/8 (6915)
	5-40 x 1/2 (9269)

button head (bhcs)

	2-56 x 1/8 (9645)
	2-56 x 5/16 (4334)
	4-40 x 5/16 (6919)
	4-40 x 3/8 (6917)
	4-40 x 7/16 (2221)
	3x6mm (31531)

setscrews

	4-40 x 1/2 (9170)
	5-40 x 1/8 (3862)

ball bearings

	3/16 x 3/8 (3977)
	10 x 16mm (9832)

shims & washers

	ballstud washer (9630)
	.03 nylon washer (4187)
	gold washer (7337)
	3/16 axle shim (7368)
#4 aluminum washer"/>	#4 aluminum washer (6936)
	5 x 9.5mm shim (9830)
	servo saver hardware (lower)
	servo saver shim (9610)
	servo saver hardware (upper)
	5 x 14mm shim (9829)
	diff rebuild

ballstuds

	black .200" (3981)
	black .300" (3983)
	silver .200" (6276)
	silver .300" (6277)

nuts (lock/plain)

	4-40 small plain nut (7260)
	3/16 aluminum locking nut (4449)
	shock mount nut (6472)
	4-40 nut (6295)
	5-40 lock nut (6629)
	8-32 aluminum lock nut (9834)

Servo Chart

1 FIND YOUR SERVO TYPE



1 STEERING SERVO TYPE

(Steering servo is sold separately)
NOT ALL SERVOS ARE LISTED



2 #7336 SPACER



3 #9180 SERVO ARM



Associated Electrics / XP
AE SHV1504MG, DS1015, DS1313
Airtronics
94102
Airtronics
94738, 94157, 94158, 94257, 94258, 94357,
94358, 94452, 94453, 94751, 94755

thin spacer

F

Hitec
HS-5625MG, HS-5645MG, HS-625MG, HS-645MG

no spacer

A

Hitec
HS-303, HS-300BB, HS-945MG, HS-925MG, HS-5945MG,
HS-5925MG, HS-525MG, HS-525BB, HS-425BB, HS-422

thick spacer

A

JR
Z4725, Z4750, Z2750, Z8450, Z8550, NES-4750

no spacer

H

JR
Z250, Z550

no spacer

J

thin spacer

J

3 SELECT YOUR SERVO HORN



Futaba
S9204, S9250, S9450, S148

no spacer

F

Futaba
S3003, S9202, S9101

thin spacer

F

Futaba
S9404

thick spacer

F

KO
PS-401, PS-2001, PS-2004, PS-2015, PS-2173, PS-2174,
PS-2123, PS-2143, PS-2144

thin spacer

J

SC10

:: Driver: _____ **:: Date:** _____
:: Track: _____
:: Event: _____

Setup Sheet for Team Associated's SC10

Rev. 1

:: Front End

camber: _____

washers: _____

10

12

ABC

toe: _____ ride height: _____

bump steer spacer: _____

axle height up middle down

caster 20° 25° 30°

:: Rear End

camber: _____

washers: _____

10

12

ABC

anti-squat std other

rear hub carriers std 0° 0.5° 1°

ride height: _____

wheel base long medium short

anti-roll bar none black (soft) silver (med) gold (hard)

:: Front Shocks

spring: _____ piston: _____
 shock oil: _____ limiter: _____

:: Rear Shocks

spring: _____ piston: _____
 shock oil: _____ limiter: _____

:: Electronics

motor & wind: _____
 pinion: _____
 spur gear: _____
 esc: _____ setting: _____
 batteries: _____
 battery placement: _____

:: Transmitter

radio: _____
 steering expo: _____
 brake e.p.a.: _____
 throttle expo: _____
 servo: _____
 initial brake: _____ drag brake: _____

:: Other

body: _____
 notes: _____

:: Gear Differential

fluid: _____

:: Front Tires

tire: _____
 compound: _____
 insert: _____
 wheel: _____

:: Rear Tires

tire: _____
 compound: _____
 insert: _____
 wheel: _____

:: Race and Vehicle Comments

qualify: _____ main: _____ finish: _____ tq:
 comments: _____

:: Track Info

smooth: bumpy: blue groove:
 traction: high med. low
 soft dirt: grass: clay: wet:
 dusty: other: _____



Associated Electrics, Inc.

26021 Commercentre Dr.

Lake Forest, CA 92630 USA

<http://www.TeamAssociated.com>

<http://www.RC10.com>

[http://twitter/Team Associated](http://twitter/TeamAssociated)

<http://bit.ly/AEonFacebook>

call: (949) 544-7500 - fax: (949) 544-7501

***Check out the following web sites for all of our kits,
current products, new releases, setup help, tips, and racing info!***

www.TeamAssociated.com. - www.RC10.com