

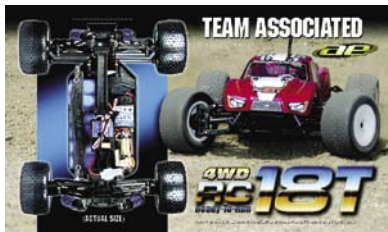
# RC 18T



• RC18T • 1:18 scale • Electric Powered • 4WD Off Road •

## RC18T RTR Truck

## Factory Team 18T Kit



Blue aluminum threaded shocks



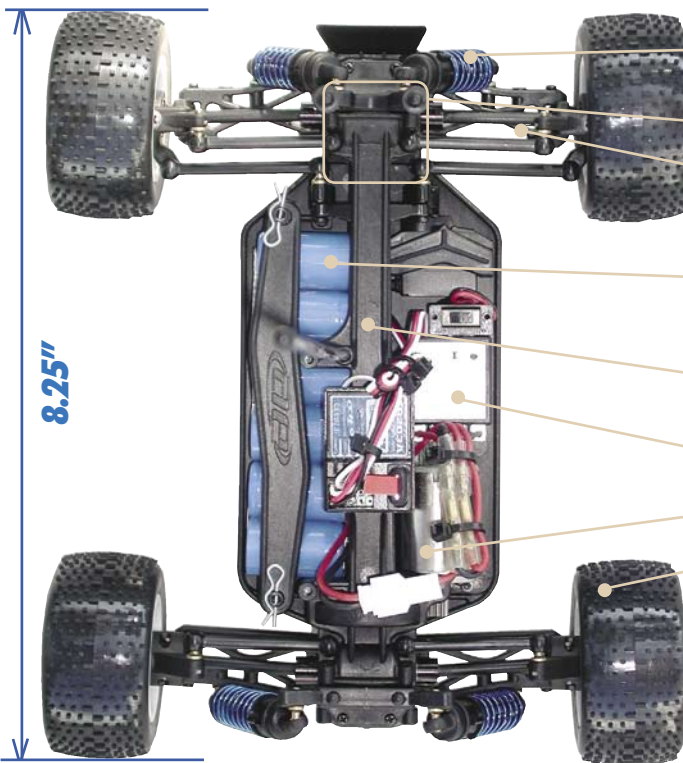
Blue graphite battery brace



Blue aluminum locknuts



Blue aluminum motor mount/ heatsink



### 18T Features

- Real oil-filled shocks for smooth, consistent damping.
- Adjustable ball diffs front and rear.
- Four lower suspension arms are identical and interchangeable, front to back and right to left.
- High-capacity 1100mah nickel-metal hydride (Ni-MH) battery pack.
- Efficient shaft-drive, 4WD powertrain (not seen in photo).
- "XPS" micro speed control with reverse.
- "Super 370" high-performance motor.
- High-traction "Mini-Pin" racing compound tires with foam inserts mounted on racing-style dish wheels.

18T RTR: Your choice of pre-painted blue or red body



18T RTR: Includes radio, motor, receiver, speed control, servo, batteries, and battery charger pack



18T RTR: High-traction "Mini-Pin" racing compound tires



**RTR** = assembled  
**Kit** = unassembled

• SEE WEB SITE FOR COMPLETE DETAILS AND HOPUPS • [www.RC10.com](http://www.RC10.com) • [www.TeamAssociated.com](http://www.TeamAssociated.com) •

Page 12

Feature	RC18T RTR	Factory Team 18T
body	painted body	unpainted Lexan body
shocks	oil-filled	blue aluminum threaded shocks
wheels/tires	"Mini-Pin"	"Mini-Pin"
driveshafts	plastic	Blue aluminum dogbones
differential	adjustable Associated diff	adjustable carbide ball diff
turnbuckles	plastic	titanium turnbuckles
bearings	shielded bearings	shielded bearings
Factory Team parts	no	yes

#20100 RC18T 4WD RTR Truck\*

#20102 Factory Team RC18T 4WD Truck Kit\*\*

\* Does not include AA batteries for transmitter.

\*\* Does not include 2-channel R/C surface radio system (including one micro-size servo), 8 AA batteries for radio, 6-cell battery pack with micro-sized 2/3 AF cells, electronic speed control, battery charger (peak detecting) R/C electric motor (micro size).