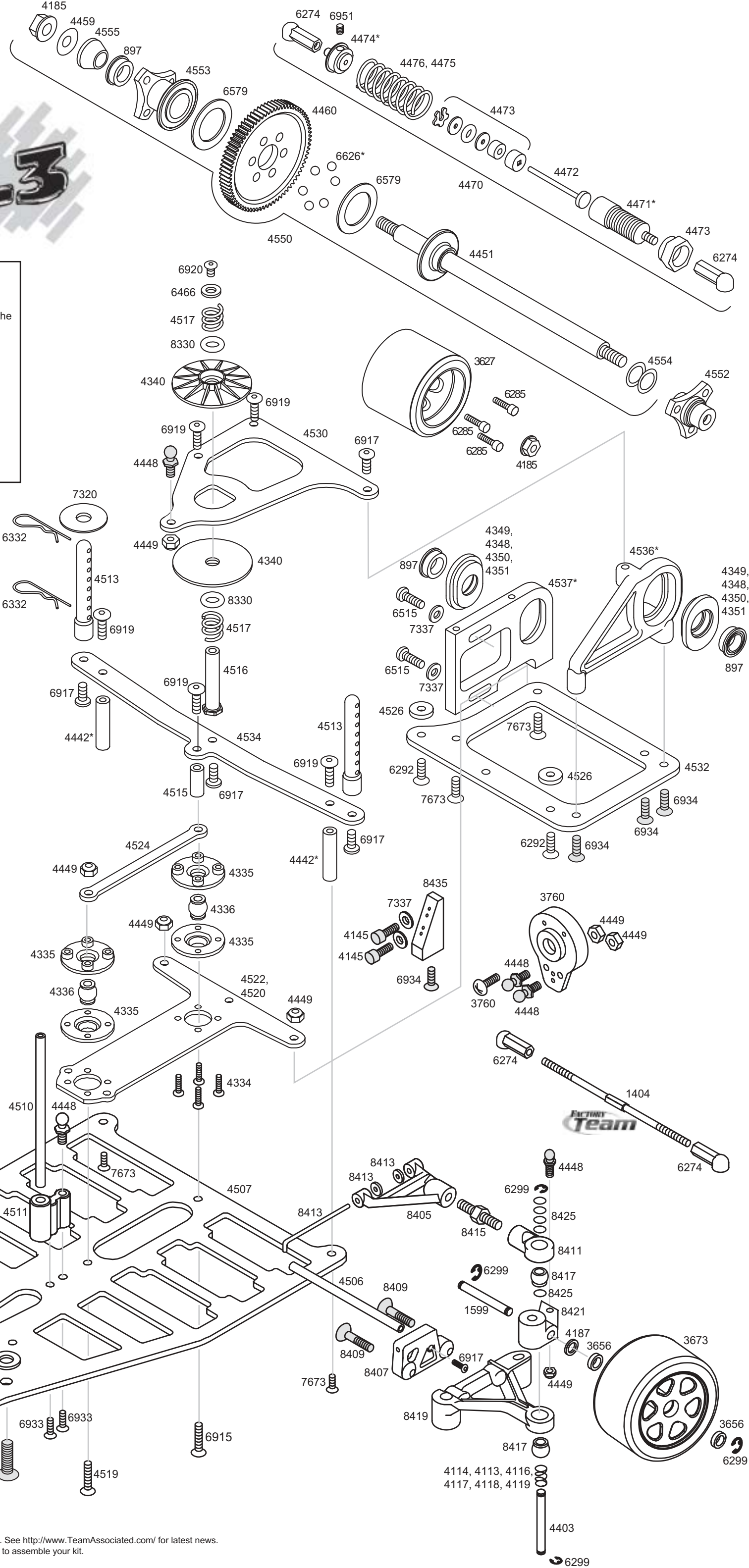
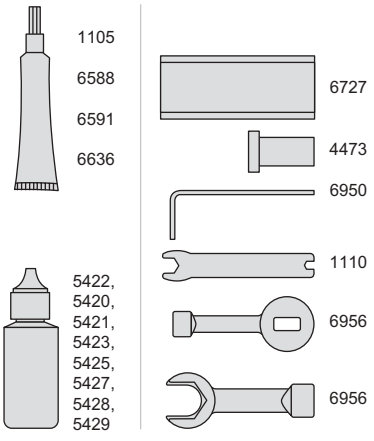


RC12L3

#4015 1:12 SCALE COMPETITION ELECTRIC KIT

- Use this exploded view of the RC12L3 kit to find the part number. Then look up its number in the catalog portion on the reverse for details.
- If more than one number is listed for the part, the first number is the part in the kit.
- An asterisk (*) next to a number indicates that a Factory Team option is available.
- Hardware shaded gray denotes blue aluminum parts in kit.



Factory Team