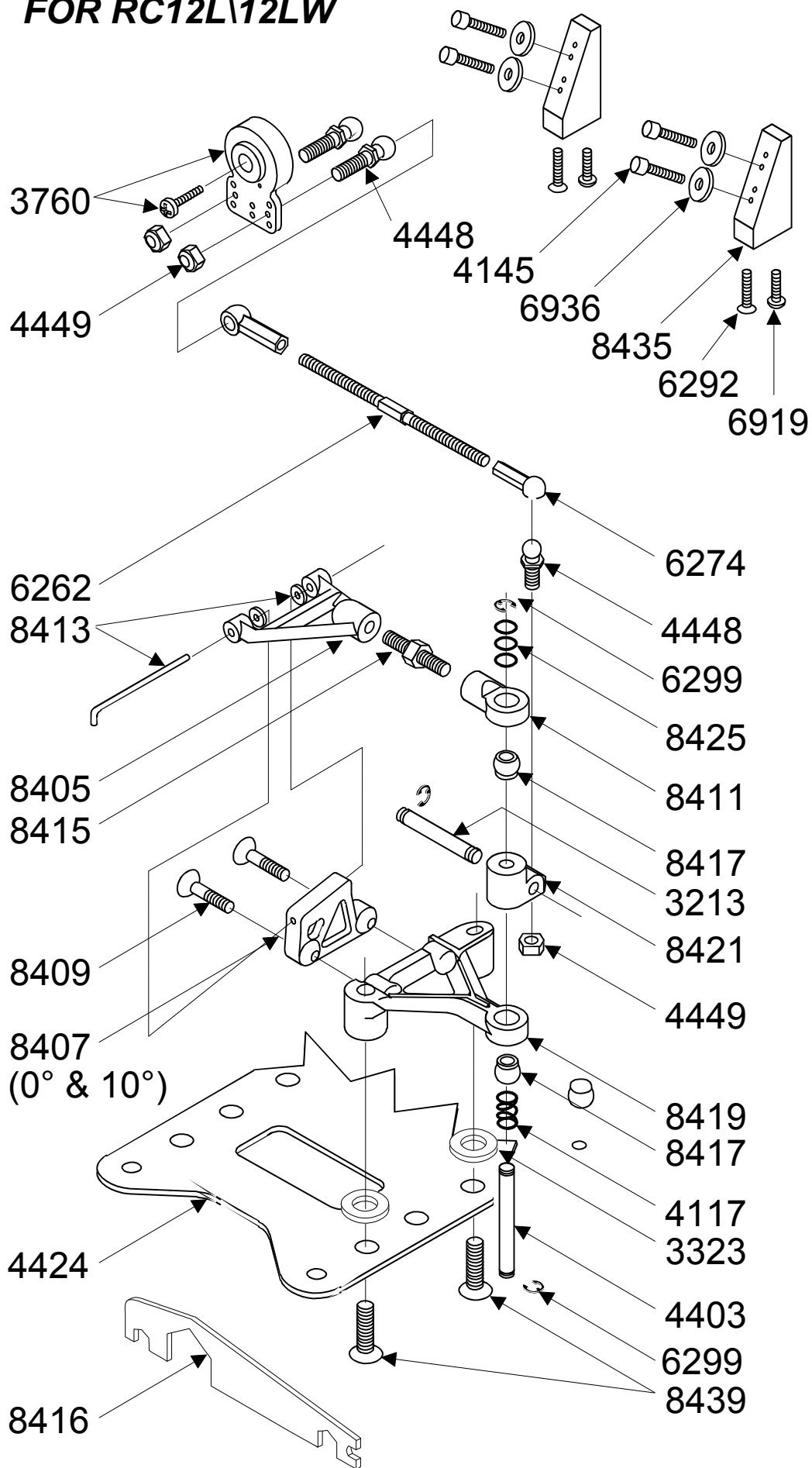


NEW FRONT SUSPENSION KIT FOR RC12L\12LW



These instructions include the new #8330 dampner washers not mentioned in the instruction manual.

These instructions replace those of Figs. 33 & 34:

Slide the #4438 collar with set screw onto the aluminum tube. Then the #4341 spring on top of that, then the #8330 o-ring, then the #4340 dampner washer.

These instructions replace those of Figs. 38 & 39:

Slide the #4340 dampner washer on the aluminum tube atop the upper bracket with the smooth side toward the bracket. Then slide on the #8330 o-ring, then #4341 spring, and remaining collar so it looks as in Fig. 39..

