

## 1:10 B2 OFF ROAD CATALOG

**CATALOG #10B2 February 1997**

This free catalog is updated yearly; is yours current?  
Prices subject to change without notice.

If you cannot obtain parts from your distributor or dealer, you may order them  
directly from us.

**(We're sorry, you cannot order car kits from us.)**

### ORDERING INSTRUCTIONS

1. Write out order on separate sheet of paper if Order Form is missing. Include part no., quantity, and price of each item. **Include your phone no., full name and return address. DO NOT SEND CASH. NO CREDIT CARD ORDERS ACCEPTED.**
2. **California residents only** add sales tax: 7.75% in Orange County, 6.25% elsewhere.
3. **Add shipping fee of \$4.25** to all orders, except for faster Red, Orange & Blue Label services and international orders, which require extra charges.
4. **C.O.D. fee is \$4.75** (C.O.D. = "Cash On Delivery")
5. All international orders must be prepaid by International Money Order in US funds.
6. Mail order to: **Associated Electrics, Inc.**  
3585 Cadillac Ave.  
Costa Mesa, CA 92626 USA
7. Or call (714) 850-9342. **Please have your order ready before calling.** Or FAX: 714-850-1744. **Include your phone no., full name and return address.**

### TO OUR CUSTOMERS

**Many of these parts are also found in our RC10 and RC10T2 catalogs and fit those kits as well. Parts found only in this catalog (9000 series numbers, and a few others), however, have been designed exclusively for the RC10B2, and will not fit the other kits.**

### ELECTRONIC SPEED CONTROL

#### LRP ELECTRONIC SPEED CONTROLS.

*Associated is the exclusive importer for North and South America of the LRP digital electronic speed control. It uses a miniature digital computer that results in a state-of-the-art speed control that surpasses every other type available.*

LRP 8067	LRP IPC DIGITAL ELECTRONIC SPEED CONTROL, winning speed control for both 2WD & 4WD at the 1995 IFMAR 1:10 Off Road World Championships, and 1996 IFMAR 1:10 On Road World Championships.	1	239.50
LRP 8304	LRP RUNNER electronic speed control, forward, reverse, EMK brake, w/thermal protection. Recommended motor: 20 turn or higher wind motor	1	79.95
LRP 8317	F1 DIGITAL electronic speed control, forward, reverse, EMK brake, w/ thermal protection. Recommended motor: 16 turn or higher wind motor.	1	99.50
LRP 8322	F1 POWER DIGITAL electronic speed control, forward, reverse, EMK brake, with thermal protection and adj. current limiter. Recommended motor: 12 turn or higher wind motor.	1	132.00
LRP 8335	F1 BULLET DIGITAL electronic speed control, forward reverse, EMK brake, with thermal protection and adj. current limiter. Recommended motor: No	1	175.00

	Limit.		
LRP 8341	SPRINTER electronic speed control, forward, EMK brake, with adjustable current limiter & thermal protection. Recommended motor: stock motor.	1	79.95
LRP 8346	INDY 200 DIGITAL electronic speed control, forward, EMK brake, with adjustable current limiter & thermal protection. Recommended motor: 13 turn or higher wind motor.	1	99.50
LRP 8357	INDY 400 DIGITAL electronic speed control, forward, EMK brake, with adjustable current limiter & thermal protection. Recommended motor: 11 turn or higher wind motor.	1	132.00
LRP 8361	INDY 600 DIGITAL electronic speed control, forward, EMK brake, with adjustable current limiter & thermal protection. Recommended motor: no motor limit.	1	164.00

### BODY, WINGS & ACCESSORIES

*See front cover for full color picture of body*

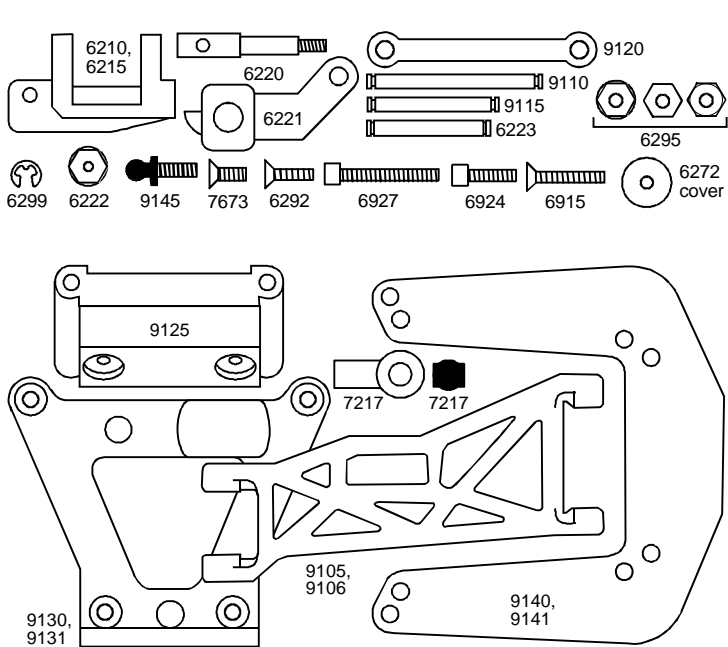
6133	B2 BUGGY BODY, clear Lexan	1	14.00
6110	MOLDED PLASTIC WING, neon pink	1	6.00
6111	MOLDED PLASTIC WING, black	1	6.00
6112	MOLDED PLASTIC WING, white	1	6.00
6113	MOLDED PLASTIC WING, neon green	1	6.00
6114	MOLDED PLASTIC WING, red	1	6.00
6180	DRIVER, clear	1	2.00
6181	HIGH DOWN FORCE WING KIT, includes #6182 wing, #6190 wing mounts and wire (used in current RC10 car kits)	1	3.50
6182	HIGH DOWN FORCE WING, 5 1/2"	1	2.00
6183	HIGH DOWN FORCE WING, 7"	1	2.00
6190	WING MOUNTS, adjustable (Wing-Things)	pr	1.75
6191	HEADLIGHTS (2), and KNOCKOFFS (4)	1	2.50
6193	ALUMINUM WING MOUNTS. Fits .065" and .078" wire (#9454 & #9455 prebent wire)	1	2.50
9453	B2 WING KIT, #6182 wing, mounts, and #9454 prebent wing wire (.065")	1	5.00
711	REEDY CAR WASH. Great for cleaning gas and electric cars and bodies. Lexan safe and biodegradable. Not for electrical components. 4 oz. bottles sold in cases of 12 only. Price reflects \$6.00 per bottle. (Purchase individual bottles at your hobby shop or race track.)	1 case	72.00
9454	B2 WING WIRE, .065" prebent	1	2.50
9455	B2 WING WIRE, .078":prebent	1	2.50

### DECALS

*Request Associated's 1:10 Pictorial Catalog for full color pictures of decals*

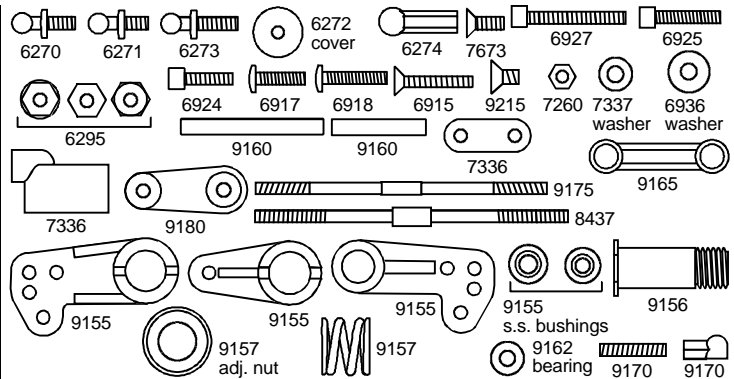
3813	RC10B2 DECAL SHEET, 3 sizes of "RC10B2" in florescent red and yellow	1	2.00
3817	TEAM ASSOCIATED LOGO BUMPER STICKERS, 1 large, 1 small. Red, white, blue	1	4.00
3818	TEAM ASSOCIATED logo decals, black, 6 logos	1	1.00
3819	TEAM ASSOCIATED logo decals, white, 6 logos	1	1.00
6196	DECAL SHEET 6 1/2" X 6 1/2", 5 colors; misc. sponsors	1	2.00
<i>WHEEL DOTS. Reusable coated Mylar Wheel Dots for your buggy and truck wheels. 2.31" dia., 4 dots per package</i>			
6855	WHEEL DOTS, fluorescent pink	4	2.00
6856	WHEEL DOTS, fluorescent red	4	2.00
6857	WHEEL DOTS, fluorescent green	4	2.00
6858	WHEEL DOTS, fluorescent yellow	4	2.00

### FRONT SUSPENSION



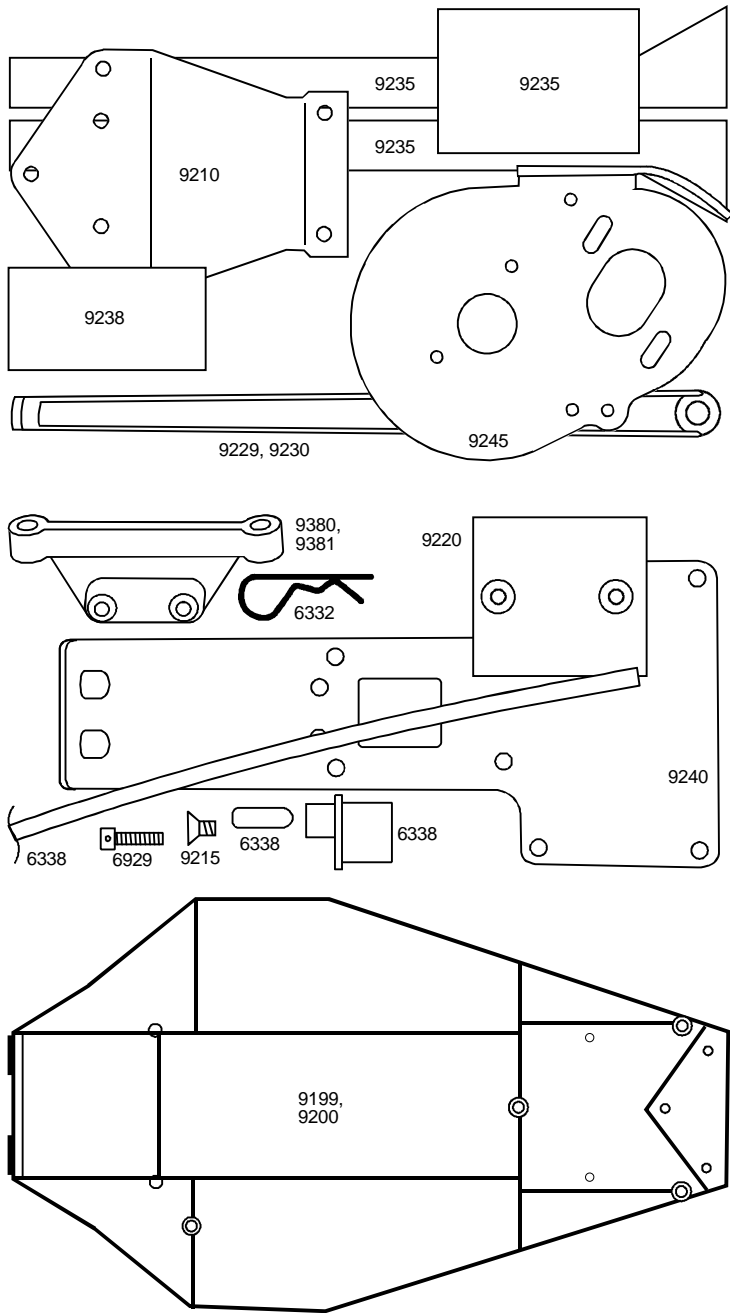
9105	B2 FRONT A-ARM, molded composite	pr	6.00
9106	B2 FRONT A-ARM, molded Carbon Fiber composite	pr	9.00
9110	B2 FRONT INNER HINGE PIN, special hardened tool steel	2	5.00
9115	B2 FRONT OUTER HINGE PIN,	2	3.00
9120	B2 FRONT CROSS BRACE, aluminum	1	1.50
9125	B2 FRONT BULKHEAD, nylon	1	4.00
9130	B2 FRONT TOP PLATE, molded composite	1	5.00
9131	B2 FRONT TOP PLATE, molded Carbon Fiber composite	1	8.00
9140	B2 FRONT SHOCK STRUT, fiberglass	1	7.00
9141	B2 FRONT SHOCK STRUT, graphite	1	13.00
9145	S.S. BALL END, long thread (low profile) black, w/nuts and plastic cups (for front shock strut)	pr	3.00
6210	FRONT BLOCK CARRIER, 30° caster (Kit standard)	pr	3.00
6215	FRONT BLOCK CARRIER, 25° caster	pr	4.50
6220	ALUMINUM FRONT INLINE AXLES. (Axle thread is 5-40.) Uses #6222 black nylon locknut	pr	6.00
6221	INLINE STEERING BLOCK, for alum. axles	pr	2.00
6222	SELF-THREADING NYLON LOCKNUT, for #6220 axles	8	2.00
7217	B2/T2 SHOCK ROD END, nylon w/plastic pivot ball	2	3.00
6292	4-40 X 3/8" FLAT HEAD Socket Screw	6	2.00
6915	4-40 X 5/8" FLAT HEAD Socket Screw	6	2.00
7673	4-40 X 5/16" FLAT HEAD Socket Screw	6	2.00
6299	1/8" E-CLIPS	12	1.00
6927	4-40 X 3/4" SOCKET HEAD Cap Screw	6	2.00
6295	NUT, 4-40, 6 each plain, lock, and nylon	18	2.00
6936	#4 ALUMINUM WASHER	10	1.00
6924	4-40 X 3/8" SOCKET HEAD Cap Screw	6	2.00
6272	BALL END DUST COVER, foam	28	2.00
6223	KINGPIN, w/E-clips	2	2.50

**FRONT END LINKAGE**



9150	B2 SERVO SAVER KIT, w/turnbuckles for steering tie-rods	1	11.00
9155	B2 SERVO SAVER, plastic parts only	1	3.50
9156	B2 SERVO SAVER HUB, threaded	1	2.50
9157	B2 SERVO SAVER SPRING & ADJUSTING NUT	1	2.00
9160	B2 SERVO SAVER & BELLCRANK PINS	2	3.00
9162	B2 OPTIONAL STEERING BELLCRANK BEARINGS, 1/8" X 1/4" flanged ball bearing, (replaces bushings in right side steering bellcrank)	2	15.00
9165	B2 STEERING DRAG LINK, molded nylon	1	2.00
9170	B2 ADJUSTABLE SERVO LINK, 4-40 X 1/2" set screw with special plastic ball cups	1	2.00
9175	B2 TURNBUCKLE, for front camber link	2	3.00
9180	B2 SERVO HORNS, molded (1 ea. fits Airtronics, Futaba, or JRpropo)	1	2.50
8437	B2 TURNBUCKLE, for steering tie-rod	2	3.00
6270	SHORT BALL END, stainless steel, short thread, w/nuts & plastic ball cups	2	2.50
6271	SHORT BALL END, stainless steel, short thread, w/nuts & plastic ball cups	12	10.00
6273	LONG BALL END, stainless steel, long thread (1/10" longer thread than #6270) w/nuts & plastic ball cups	2	2.50
6272	BALL END DUST COVER, foam	28	2.00
6274	PLASTIC BALL CUPS, molded nylon (spares for #6270, #6271 or #6273)	14	5.00
7336	B2/T2 STEERING SERVO MOUNT KIT, molded mounts, spacer, screws & washers	set	2.50
7337	B2/T2 SERVO MOUNT WASHERS, steel (gold colored)	4	1.00
6917	4-40 X 3/8" BUTTON HEAD Socket Screw	6	2.00
6918	4-40 X 1/2" BUTTON HEAD Socket Screw	6	2.00
9215	6-32 X 3/16" FLAT HEAD Machine Screw, Phillips	6	1.50
6925	4-40 X 1/2" SOCKET HEAD Cap Screw	6	2.00
6927	4-40 X 3/4" SOCKET HEAD Cap Screw	6	2.00
7260	4-40 SMALL PATTERN PLAIN NUT	12	2.00
6295	NUT, 4-40, 6 each plain, lock, and nylon	18	2.00
6936	#4 ALUMINUM WASHER	10	1.00
6924	4-40 X 3/8" SOCKET HEAD Cap Screw	6	2.00
6915	4-40 X 5/8" FLAT HEAD Socket Screw	6	2.00
7673	4-40 X 5/16" FLAT HEAD Socket Screw	6	2.00

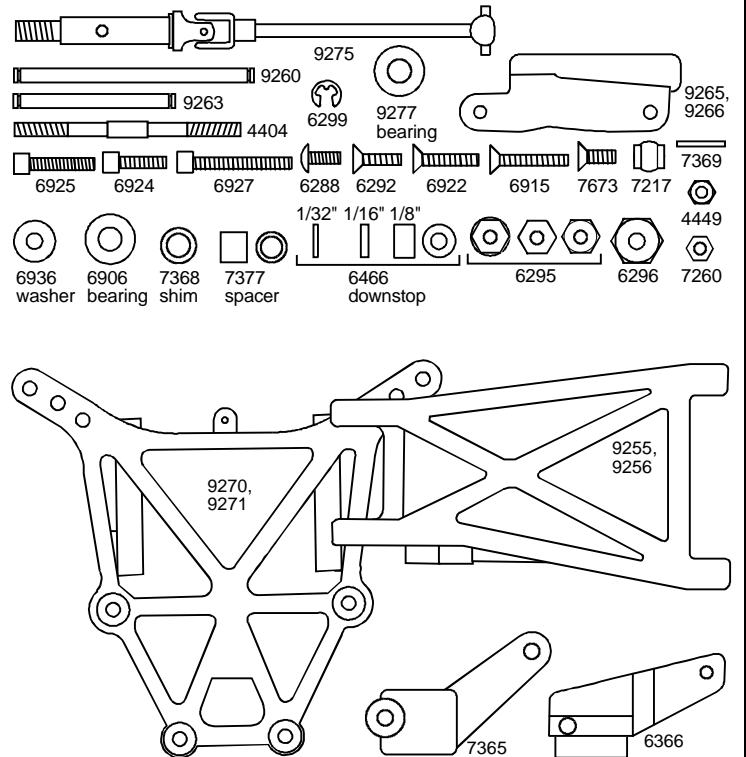
**CHASSIS PARTS**



9199	B2 CHASSIS, STANDARD, molded Carbon Fiber composite	1	45.00
9200	B2 CHASSIS, STANDARD, molded composite	1	25.00
9201	B2 CHASSIS, SHORT, molded composite	1	25.00
9202	B2 CHASSIS, SHORT, molded Carbon Fiber composite	1	45.00
9210	B2 FRONT KICKUP (nose plate), aluminum, black hard anodized	1	7.50
9215	6-32 X 3/16" FLAT HEAD MACHINE SCREWS, Phillips (for mounting front kickup to chassis)	6	1.50
9220	B2 FRONT BUMPER, molded nylon	1	2.50
9229	B2 BATTERY HOLD DOWN STRAP, STANDARD, molded Carbon Fiber Composite	1	5.00
9230	B2 BATTERY HOLD DOWN STRAP, STANDARD, molded composite	1	3.00
9231	B2 BATTERY HOLD DOWN STRAP, SHORT, molded composite	1	3.00
9232	B2 BATTERY HOLD DOWN STRAP, SHORT, molded Carbon Fiber composite	1	5.00
9235	B2 BATTERY PADS, 3 adhesive foam pads for sides and bottom rear of battery slot	1	3.00

9238	B2 BATTERY SPACERS, foam pads for spacing battery weight	2	2.00
9240	B2 REAR CHASSIS PLATE, aluminum, black hard anodized	1	9.00
9245	B2 MOTOR MOUNT, aluminum, black anodized	1	6.00
6338	ANTENNA KIT, with hardware	1	2.00
9380	B2 TRANSMISSION BRACE, molded composite	1	4.00
9381	B2 TRANSMISSION BRACE, molded Carbon Fiber composite	1	6.00
6929	SOCKET HEAD Cap Screw, 4-40 X 3/8" with hole	4	2.00
6332	HOOD PIN	6	.75
6312	CLEAR CHASSIS PROTECTIVE SHEET to protect the chassis finish, 6 1/2" X 18"	1	6.50

### REAR SUSPENSION

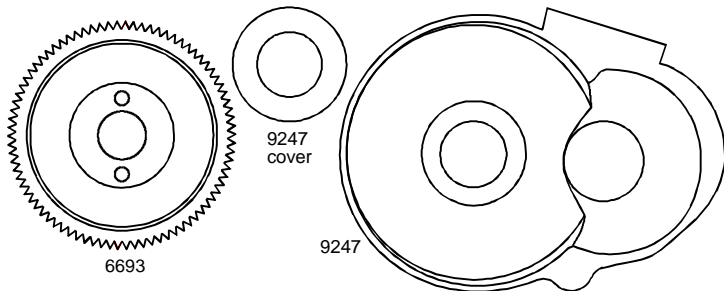
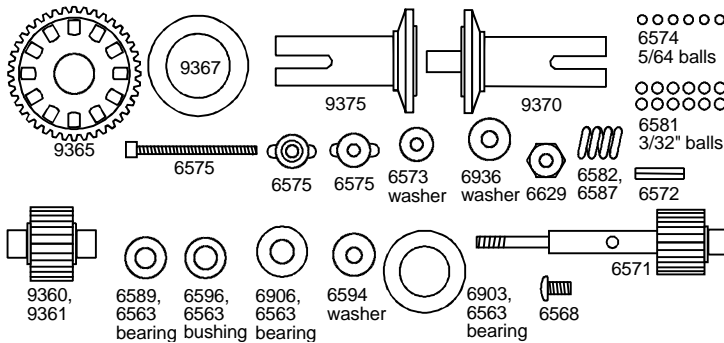
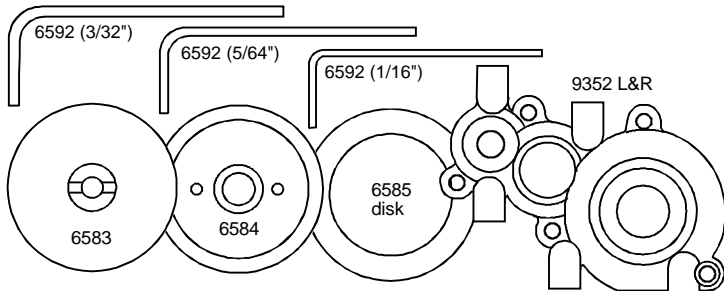


*Toe-in degrees refer to one side of vehicle*

9255	B2 REAR A-ARMS, molded composite	pr	7.00
9256	B2 REAR A-ARMS, molded Carbon Fiber composite	pr	10.00
9260	B2 REAR INNER HINGE PIN, w/E-clips	pr	3.00
9263	B2 REAR OUTER HINGE PIN, w/E-clips	pr	2.50
9265	B2 REAR SUSPENSION MOUNTS, 3° toe-in (per side)	pr	2.00
9266	B2 REAR SUSPENSION MOUNTS, 2° toe-in (per side)	pr	2.00
9270	B2 REAR SHOCK STRUT, molded composite	1	5.00
9271	B2 REAR SHOCK STRUT, molded Carbon Fiber composite	1	7.50
9275	B2 UNIVERSAL DOGBONE AXLES, w/shims and spring pins	pr	35.00
7217	B2/T2 SHOCK ROD END, nylon w/plastic pivot ball	2	3.00
7377	B2/T2 REAR AXLE BEARING SPACER, aluminum (fits #9275 or #7367 T2 universal axle)	2	1.50
7365	REAR HUB CARRIER, 0° toe-in per side (uses unflanged bearings)	pr	3.50
6906	3/16" X 3/8" BALL BEARING, unflanged	pr	13.00
7368	UNIVERSAL SHIMS, fits #9275 or #7367 rear axles	14	1.50
7369	B2/T2 AXLE SPRING PINS, fits #9275 or #7367 axles	4	1.00
6466	SHOCK DOWNSTOPS, (travel limiters), 4 ea. of 3 sizes 1/8" (.125"), 1/16" (.062") and 1/32" (.031")	set	1.50

Part #	Description	Qty	Price
6299	1/8" E-CLIPS	12	1.00
6292	4-40 X 3/8" FLAT HEAD Socket Screw	6	2.00
6922	4-40 X 1/2" FLAT HEAD Socket Screw	6	2.00
6927	4-40 X 3/4" SOCKET HEAD Cap Screw	6	2.00
7260	4-40 SMALL PATTERN PLAIN NUT	12	2.00
6295	NUT, 4-40, 6 each plain, lock, and nylon	18	2.00
6936	#4 ALUMINUM WASHER	10	1.00
7673	4-40 X 5/16" FLAT HEAD Socket Screw	6	2.00
6366	REAR HUB CARRIER, 1.5" toe-in (per side). Requires special 3/16" X 3/8" flanged bearing #9277 (only fits #9275 or #7367 rear axles)	pr	4.50
9277	3/16" X 3/8" BALL BEARING, flanged (for use with #6366 rear hub carrier and #9275 rear axle)	pr.	15.00
6915	4-40 X 5/8" FLAT HEAD Socket Screw	6	2.00
4449	4-40 ALUM. LOCKNUT, small pattern (gold anodized)	5	2.50
6288	4-40 X 1/4" BUTTON HEAD Socket Screw	6	2.00
6924	4-40 X 3/8" SOCKET HEAD Cap Screw	6	2.00
4404	TURNBUCKLE, for rear camber link	2	3.00
6296	8-32 LOCKNUTS, 6 each alum. and nylon	12	3.00
6925	4-40 X 1/2" SOCKET HEAD Cap Screw	6	2.00

## ASSOCIATED TRANSMISSION



9350	B2 2.40:1 ASSOC. TRANSMISSION KIT, with ball bearings and Associated Torque Control	1	120.00
------	---	---	--------

Part #	Description	Qty	Price
9352	B2 TRANSMISSION CASE, right and left sides (w/motor plate spacers), for 2.40:1 transmission	set	9.00
9360	B2 IDLER GEAR, molded	1	2.00
9361	B2 IDLER GEAR SHAFT	1	2.00
9365	B2 DIFF GEAR, for 2.40:1 transmission only	1	2.50
9367	B2 DIFF DRIVE RINGS, for 2.40:1 transmission only	2	1.50
9370	B2 LEFT DIFF OUTDRIVE HUB	1	7.50
9375	B2 RIGHT DIFF OUTDRIVE HUB	1	7.50
6563	ASSOC. TRANSMISSION BALL BEARING SET, (8 bearings & 1 bushing)	set	52.00
6568	ASSOC. SPUR GEAR SCREWS, 4-40 X 3/16" Button Head Socket screw	4	1.50
6571	DRIVE GEAR/SHAFT assembly, w roll pin	1	9.00
6572	DRIVE SHAFT ROLL PIN	6	1.00
6573	DIFF THRUST WASHER	2	3.00
6574	PRECISION DIFF THRUST BALL, 5/64" (replaces #6576)	6	2.00
6575	LOCKING T-NUT, DIFF THRUST BOLT, DIFF THRUST BOLT COVER, and dogbone spacers	set	2.00
6581	CARBIDE DIF BALL, large 3/32"	12	12.00
6582	DIF THRUST SPRING	1	1.50
6583	TORQUE CONTROL HUB, inner	1	7.50
6584	TORQUE CONTROL HUB, outer	1	7.50
6585	RULON CLUTCH DISK	1	3.00
6587	TORQUE CONTROL SPRING & LOCKNUT	set	1.50
6629	DIF LOCKNUT, 5-40	6	1.00
6588	BLACK GREASE	1	2.50
6589	DIF BEARING, 5/32 X 5/16 unflanged	pr	13.00
6591	TRANNNY DIF LUBE	1	2.50
6592	ALLEN WRENCH SET	set	2.50
6594	THRUST BEARING WASHER, replaces #6586 thrust bearing	set	2.00
6596	BUSHING, 3/16" X 5/16", unflanged	2	1.00
6903	3/8" X 5/8" BALL BEARING, unflanged, PTFE sealed	pr	20.00
6906	3/16" X 3/8" BALL BEARING, unflanged	pr	13.00
9245	B2 MOTOR MOUNT, aluminum, black anodized	1	6.00
9247	B2 GEAR DUST COVER, w/black insert button	1	1.50
9248	B2 GEAR DUST COVER, fits Losi Hydra Drive or Schumacher Viscous Drive, w/black insert button	1	1.50

## B2 WHEELS & TIRES

*NOTE: FOR WHEEL TO TIRE FIT, MATCH THE WHEEL DIAMETER TO THE TIRE DIAMETER See our 1:10 Pictorial Catalog for pictures of all wheels and tires*

### MISCELLANEOUS

6859	TRACTION ACTION TIRE SPRAY. Increases traction and life of off road tire. 4 oz. bottles sold in cases of 12 only. Price reflects \$6.00 per bottle. (Purchase individual bottles at your hobby shop or race track.)	1 case	72.00
6880	FOAM TIRE INSERT, soft, supports sidewall of soft compound front & rear tires.	pr	2.00
6860	4-40 X 3/8" ALUM. SOCKET HEAD Cap Screw, fits #6854 wheel	6	2.50
6861	4-40 X 3/8" SOCKET HEAD Cap Screw. fits #6854 wheel	6	2.00
6906	3/16" X 3/8" BALL BEARING, unflanged, fits #9480 or #6854 front wheels	pr	13.00

### FRONT WHEELS & TIRES

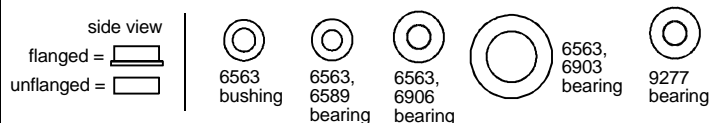
9480	ONE PIECE FRONT WHEEL, 2.125" (2 1/8"), white, uses #6906 ball bearing	pr	4.00
9480B	ONE PIECE FRONT WHEEL, 2.125" (2 1/8"), black, uses #6906 ball bearing	pr	4.00
9480Y	ONE PIECE FRONT WHEEL, 2.125" (2 1/8"), florescent yellow, uses #6906 ball bearing (kit)	pr	4.00
6854	THREE PIECE FRONT WHEEL, 2.125" (2 1/8"), white, uses #6906 ball bearings	pr	4.50

6854B	THREE PIECE FRONT WHEEL, 2.125" (2 1/8"), black, uses #6906 ball bearings	pr	5.00
6854Y	THREE PIECE FRONT WHEEL, 2.125" (2 1/8"), florescent yellow, uses #6906 ball bearings	pr	5.00
6873	FRONT TIRE, "4 Ribbed Flat Grooved," 2.125" (2 1/8")	pr	11.00
6874	FRONT TIRE, "Flat Four Rib", 2.125" (2 1/8") (Proline #8015 XTR compound)	pr	10.50
6876	FRONT TIRE "Spikes" 2.125" (2 1/8")	pr	8.50
6877	FRONT TIRE, "Edge", 2.125" (2 1/8") (Proline XTR compound) (kit)	pr	10.50

### REAR WHEELS & TIRES

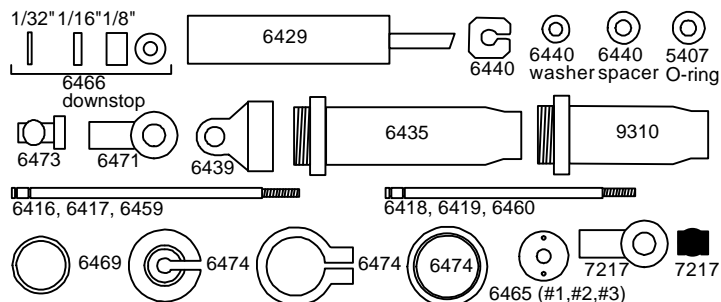
9490	B2 ONE PIECE REAR WHEEL, 2.175", white, fits 2.15" or 2.2" rear tires	pr	6.00
9490B	B2 ONE PIECE REAR WHEEL, 2.175", black, fits 2.15" or 2.2" rear tires	pr	6.00
9490Y	B2 ONE PIECE REAR WHEEL, 2.175", florescent yellow, fits 2.15" or 2.2" rear tires (kit)	pr	6.00
6824	REAR TIRE, "Flat Stubbies," 2.15" (Proline #8086 XTR compound) (kit)	pr	12.50

### BALL BEARINGS



6563	ASSOC. TRANSMISSION BALL BEARING SET (8 bearings & 1 bushing)	set	52.00
6903	3/8 X 5/8, BALL BEARING, unflanged, PTFE sealed	2	20.00
6906	3/16" X 3/8" BALL BEARING, unflanged,	pr	13.00
9277	3/16" X 3/8" BALL BEARING, flanged (for use with #6366 rear hub carrier and #9275 rear axle)	pr	15.00

### SHOCKS



*Associated's racing shocks have hard anodized and Teflon coated precision machined shock bodies for consistent superior performance.*

9300	B2 FRONT SHOCK KIT, .89" shock body & .71" shock shaft (hard anodized, Teflon sealed bodies)	2	30.00
9315	B2 REAR SHOCK KIT, 1.32" shock body & 1.02" shock shaft (hard anodized, Teflon sealed bodies)	2	30.00
9310	B2 FRONT SHOCK BODY, .89" stroke (hard anodized, Teflon sealed)	1	7.75
6435	REAR SHOCK BODY, 1.32 stroke (hard anodized, Teflon sealed)	1	8.50
6439	END CAP, black anodized aluminum	1	3.00
6429	SHOCK ASSEMBLY TOOL	1	1.00
6440	REBUILD KIT for Standard and Racing shocks, for 4 shocks,	set	4.00
6459	SHOCK SHAFT, 1.02 stroke	1	3.00
6460	SHOCK SHAFT, 0.71 stroke	1	3.00
6464	PISTON, #1 fits all 0.4" bore shocks	4	3.00
6416	UNOBTAINIUM SHOCK SHAFT 1.32" Stroke. Titanium carbonitride coated.	1	6.00
6417	UNOBTAINIUM SHOCK SHAFT 1.02" Stroke. Titanium carbonitride coated.	1	6.00

6418	UNOBTAINIUM SHOCK SHAFT .71" Stroke. Titanium carbonitride coated.	1	6.00
6419	UNOBTAINIUM SHOCK SHAFT .56" Stroke, front	1	6.00
6465	PTFE SHOCK PISTON, 4 each of #1, #2 & #3. To adjust dampening. Fits all 0.4" bore shocks	12	3.00
6466	SHOCK DOWNSTOPS, (travel limiters), 4 ea. of 3 sizes 1/8" (.125"), 1/16" (.062") and 1/32" (.031")	set	1.50
5407	RED O-RING, replacements for shock rebuild kits #6440 and #6467	8	2.00
6469	O-RING, shock end-cap to body seals	4	1.50
6473	SHOCK BUSHING	4	1.00
6474	SPRING CLAMP, COLLAR AND CUP, 4 sets	4	3.00
7217	B2/T2 SHOCK ROD END, nylon w/plastic pivot ball	2	3.00

### SHOCK OILS

5420	SILICONE SHOCK OIL, 10 wt, 2 oz bottle	1	3.50
5427	SILICONE SHOCK OIL, 15 wt, 2 oz bottle	1	3.50
5421	SILICONE SHOCK OIL, 20 wt, 2 oz bottle	1	3.50
5428	SILICONE SHOCK OIL, 25 wt, 2 oz bottle	1	3.50
5422	SILICONE SHOCK OIL, 30 wt, 2 oz bottle	1	3.50
5429	SILICONE SHOCK OIL, 35 wt, 2 oz bottle	1	3.50
5423	SILICONE SHOCK OIL, 40 wt, 2 oz bottle	1	3.50
5425	SILICONE SHOCK OIL, 80 wt, 2 oz bottle	1	3.50

### NEW PRECISION RACING SPRINGS

*Note: All springs listed top to bottom from soft to firm*

#### REAR SPRINGS

6481	REAR SHOCK SPRING, Black	2	1.50
6480	REAR SHOCK SPRING, Green	2	1.50
6478	REAR SHOCK SPRING, Silver	2	1.50

#### FRONT SHOCK SPRING

8232	FRONT SHOCK SPRING, Black	2	1.50
6494	FRONT SHOCK SPRING, Green	2	1.50
6496	FRONT SHOCK SPRING, Silver	2	1.50

### PRECISION SPUR GEARS for Standard or Associated Tranny, with dif ball holes

8280	75 TOOTH, 48 PITCH	1	4.00
8281	78 TOOTH, 48 PITCH	1	4.00
8282	81 TOOTH, 48 PITCH	1	4.00
8283	83 TOOTH, 48 PITCH	1	4.00
8284	85 TOOTH, 48 PITCH	1	4.00
8285	87 TOOTH, 48 PITCH	1	4.00

### PRECISION SPUR GEARS for Assoc. Tranny, no dif ball holes

6693	81 TOOTH, 48 PITCH	1	4.00
6694	85 TOOTH, 48 PITCH	1	4.00
6695	87 TOOTH, 48 PITCH	1	4.00
6697	83 TOOTH, 48 PITCH	1	4.00

### PRECISION MACHINED RACING PINION GEARS

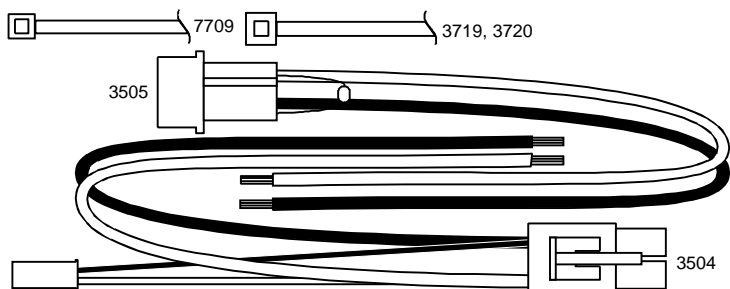
8250	13 TOOTH, 48 PITCH	1	6.00
8251	14 TOOTH, 48 PITCH	1	6.00
8252	15 TOOTH, 48 PITCH	1	6.00
8253	16 TOOTH, 48 PITCH	1	6.00
8254	17 TOOTH, 48 PITCH	1	6.00
8255	18 TOOTH, 48 PITCH	1	6.00
8256	19 TOOTH, 48 PITCH	1	6.00
8257	20 TOOTH, 48 PITCH	1	6.00
8258	21 TOOTH, 48 PITCH	1	6.00

8259	22 TOOTH, 48 PITCH	1	6.00
8260	23 TOOTH, 48 PITCH	1	6.00
8261	24 TOOTH, 48 PITCH	1	6.00
8262	25 TOOTH, 48 PITCH	1	6.00
8263	26 TOOTH, 48 PITCH	1	6.00

### STOCK PINION GEARS

6672	14 TOOTH, 48 PITCH	1	4.00
6673	15 TOOTH, 48 PITCH	1	4.00
6674	16 TOOTH, 48 PITCH	1	4.00
6675	17 TOOTH, 48 PITCH	1	4.00
6676	18 TOOTH, 48 PITCH	1	4.00
6677	19 TOOTH, 48 PITCH	1	4.00
6678	20 TOOTH, 48 PITCH	1	4.00
6679	21 TOOTH, 48 PITCH	1	4.00
6680	22 TOOTH, 48 PITCH	1	4.00
6681	23 TOOTH, 48 PITCH	1	4.00
6682	24 TOOTH, 48 PITCH	1	4.00
6683	25 TOOTH, 48 PITCH	1	4.00
6684	26 TOOTH, 48 PITCH	1	4.00

### MISCELLANEOUS ELECTRICAL ITEMS



3504	CONNECTOR, 2-pin JST mating pair, with pins	1	1.00
3505	CONNECTOR, 2-pin AMP, mating pair	1	2.00
3740	CONNECTOR, 3-pin AMP, mating pair	1	2.50
3737	SILICONE WIRE, 16 gauge, 2 ft orange, 2 ft black	1	5.00
3719	NYLON WIRE TIE, 6" heavy duty	12	2.00
3720	NYLON WIRE TIE, 8" heavy duty	12	2.00
7709	NYLON WIRE TIE, 4" light duty	12	1.25
6726	NEW IMPROVED SERVO TAPE, black roll, 36" length	1	2.50

## REEDY MODIFIEDS PRODUCTS MOTORS

### REEDY STOCK MOTORS

*Our latest generation stock motors offer laydown brushes and our updated 1.4mm thick can design. In addition the motor uses an entirely new magnet construction along with a new brush vibration dampening system. The Plus versions are the same quality stock motors, but they includes our #766 vertical cut competition stock brushes, #742 off road springs. They are also dyno tested and come with the dyno print out sheet that shows you the results of the dyno testing. Both versions of the Fire Hawk model are ROAR and NORRCA legal for racing.*

300	REEDY FIRE HAWK STOCK, 27 turn/ROAR specification	1	36.00
301	REEDY FIRE HAWK PLUS, dyno sheet included	1	40.00
302	REEDY CONQUEST 27 STOCK, 36°	1	36.00
303	REEDY CONQUEST PLUS, dyno sheet included	1	40.00
580	REEDY DS SPEC MOTOR, 23 turn, 0.8mm wire, 18° fixed timing, bushing, replaceable brushes. Standard, spec stock motor included in #8080 and	1	30.00

8081 DS kits.

### REEDY DS MODIFIED COMPETITION MOTORS

*Designed for Trans Am and touring car racing, each motor is hand wound, dynamically balanced, and assembled complete with adjustable timing and dual ball bearings.*

586	DS "Z" 17 TURN TRIPLE	1	55.00
587	DS "B" 15 TURN TRIPLE	1	55.00
588	DS "A" 14 TURN TRIPLE	1	55.00
589	DS "E" 13 TURN TRIPLE	1	55.00
590	DS "H" 12 TURN TRIPLE	1	55.00
591	DS "T" 11 TURN TRIPLE	1	55.00
592	DS "Y" 10 TURN TRIPLE	1	55.00

### MODIFIED MOTORS, NOVA SERIES

Economical hand wound motors

575	NOVA 14 turn double	1	55.00
576	NOVA 13 turn double	1	55.00
577	NOVA 12 turn double	1	55.00
578	NOVA 10 turn triple	1	55.00
579	NOVA 11 turn double	1	55.00

### MODIFIED MOTORS, MR. SERIES

512	MR. M's, 13 turn double, on-road, 4WD off road	1	80.00
515	MR. X's, 10 turn quad	1	80.00
516	MR. S's, 12 turn double	1	80.00
517	MR. O's, 11 turn double	1	80.00
518	MR. G's, 11 turn quad	1	80.00
519	MR. Y's, 10 turn triple	1	80.00
520	MR. ?'s, 10 turn double, oval, 1:10 off road, 6-cell	1	80.00

### REEDY MODIFIED, SONIC SERIES

*"Turbo Cooled" modified motors with "M" magnets. See Sonic portion of Motor Accessories section for springs and brushes.*

525	SONIC "A" 14 turn triple	1	85.00
529	SONIC "E" 13 turn triple	1	85.00
531	SONIC "G" 11 turn quad	1	85.00
533	SONIC "L" 14 turn double	1	85.00
534	SONIC "M" 13 turn double	1	85.00
535	SONIC "O" 11 turn double	1	85.00
538	SONIC "S" 12 turn double	1	85.00
539	SONIC "?" 10 turn double	1	85.00
541	SONIC "T" 11 turn triple.	1	85.00
542	SONIC "Y" 10 turn triple	1	85.00
544	SONIC "I" 12 turn quint	1	85.00
545	SONIC "W" 11 turn quint	1	85.00
546	SONIC "U" 10 turn quint	1	85.00
547	SONIC "X" 10 turn quad	1	85.00


### REEDY MODIFIED, SONIC2 SERIES

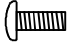
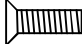
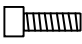
*The Sonic2 laydown brush modified motor updates the Sonic motor series by offering the same improvements we are using on the new stock and Tri Sonic modified motors. The large commutator and laydown brushes make this a great high load or torque application motor with only slightly less RPM than the Tri Sonic motor series.*

350	SONIC 2 "S" 12 turn double	1	90.00
351	SONIC 2 "O" 11 turn double	1	90.00
352	SONIC 2 "?" 10 turn double	1	90.00
354	SONIC 2 "T" 11 turn triple	1	90.00
355	SONIC 2 "X" 10 turn quad	1	90.00
356	SONIC 2 "W" 11 turn quint	1	90.00
357	SONIC 2 "J" 12 turn quad	1	90.00

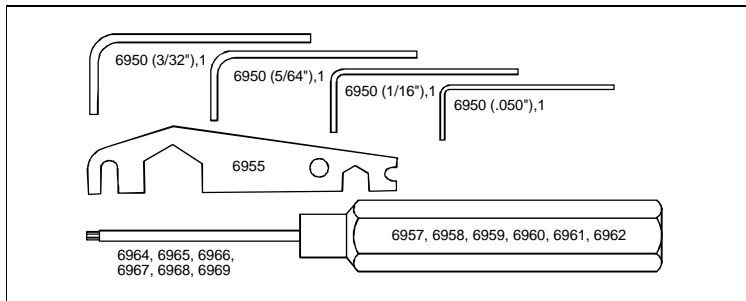
### REEDY MODIFIED, ULTRA SONIC SERIES

*Modified motors with "M" magnets, 1.3mm can, small commutator.*

Part #	Description	Qty	Price	Part #	Description	Qty	Price
560	ULTRA SONIC "S" 12 turn double	1	85.00	765	STOCK MOTOR BRUSH, new laydown high performance compound	pr	3.00
561	ULTRA SONIC "I" 12 turn quint	1	85.00	766	STOCK MOTOR BRUSH, VERTICAL CUT, #765 brush compound with single vertical cut. Brush used on Fire Hawk Plus and Conquest Plus.	pr	4.00
562	ULTRA SONIC "W" 11 turn quint	1	85.00	740	COPPER HEAD SPRING, for off road racing	pr	2.50
564	ULTRA SONIC "C" 13 turn quad	1	85.00	741	COPPER HEAD SPRING, on road, low resistance, high temperature.	pr	2.50
565	ULTRA SONIC "M" 13 turn double	1	85.00	<b>LAYDOWN BRUSHES AND SPRINGS for large commutator motors</b>			
566	ULTRA SONIC "P" 13 turn quint	1	85.00	742	SONIC MOTOR SPRING, High tension copper clad mat'l. Off road and on road uses.	pr	3.00
567	ULTRA SONIC "L" 14 turn double	1	85.00	760X	NEW & IMPROVED LAYDOWN BRUSH, same compound as 737X brush. Low resistance, long com life.	pr	3.00
568	ULTRA SONIC "D" 14 turn quad	1	85.00	762X	NEW & IMPROVED LAYDOWN BRUSH, same compound as 730X brush. Low resistance, long com life.	pr	3.00
569	ULTRA SONIC "F" 15 turn quad	1	85.00	761	SONIC ON ROAD BRUSH, A new, low-resistance compound. on road and stock motor racing.	pr	3.00
570	ULTRA SONIC "V" 16 turn quad	1	85.00	762	SONIC SILVER ON ROAD BRUSH, Same compound as #730. 1:12 racing.	pr	3.00
<b>REEDY TRI SONIC SERIES</b>				<b>MOTOR PARTS</b>			
<p><i>Reedy Has taken the design of the Ultra Sonic motor to a higher performance level. This standard upright brush motor uses the same improved can and magnet design as our new stock motors. It also uses the new brush dampening system that helps improve brush and commutator life. The upright brush design makes this a high RPM motor design.</i></p>				<b>ARMATURES</b>			
310	TRI SONIC "S" on road, 12 double	1	90.00	<i>Small com, tapered shank, hand wound, epoxy dipped and zero gravity baked for precise balancing. Armature cut to perfection, epoxy balanced, then drill balanced for the final touch.</i>			
311	TRI SONIC "I" on road, 12 turn quint	1	90.00	450	SMALL COM ARMATURE 11 turn double	1	35.00
312	TRI SONIC "M" on road, 13 double	1	90.00	451	SMALL COM ARMATURE 11 turn triple	1	35.00
313	TRI SONIC "C" on road, 13 triple	1	90.00	452	SMALL COM ARMATURE 12 turn double	1	35.00
314	TRI SONIC "D" on road, 14 quad	1	90.00	453	SMALL COM ARMATURE 12 turn quint	1	35.00
315	TRI SONIC "B" on road, 15 triple	1	90.00	454	SMALL COM ARMATURE 13 turn double	1	35.00
316	TRI SONIC "V" on road, 16 quint	1	90.00	455	SMALL COM ARMATURE 13 turn quint	1	35.00
317	TRI SONIC "O" 11 turn double	1	90.00	456	SMALL COM ARMATURE 14 turn triple	1	35.00
318	TRI SONIC "P" 13 turn quint	1	90.00	457	SMALL COM ARMATURE 14 turn quint	1	35.00
319	TRI SONIC "A" 14 turn triple	1	90.00	458	SMALL COM ARMATURE 15 turn triple	1	35.00
320	TRI SONIC "F" 15 turn quint	1	90.00	459	SMALL COM ARMATURE 16 turn triple	1	35.00
321	TRI SONIC "X" 10 turn quad	1	90.00	<i>Large com, cooling fans for heavy loads, tapered shank, hand wound, epoxy dipped and zero gravity baked for precise balancing. Armature com cut to perfection, epoxy balanced, then drill balanced for the final touch.</i>			
<b>MOTOR ACCESSORIES</b>				470	LARGE COM ARMATURE 10 turn double	1	35.00
6515	MOTOR MOUNTING SCREW, 3mm metric	4	1.00	471	LARGE COM ARMATURE 10 turn quad	1	35.00
6520	CAPACITORS, noise suppression, 0.10 uf.	2	2.00	472	LARGE COM ARMATURE 11 turn double	1	35.00
745	SCHOTTKY DIODE, special diode for high frequency motors. Brakes run cooler and work more effectively. Helps improve battery regeneration.	2	5.25	473	LARGE COM ARMATURE 11 turn quad	1	35.00
SP-300	REEDY COMM LATHE, commutator truing lathe for modified motors only	1	250.00*	474	LARGE COM ARMATURE 12 turn double	1	35.00
SP-301	CARBIDE INSERT, replacement cutter tip for motor truing lathe tool	1	20.00**	475	LARGE COM ARMATURE 12 turn quint	1	35.00
SP-302	LATHE BATTERY PACK, 5 cell (6 volt) for use as a lathe power source	1	20.00**	<b>OTHER MOTOR PARTS</b>			
<b>UPRIGHT BRUSHES AND SPRINGS for small commutator motors</b>				440	MOTOR BALL BEARINGS, 1/8 X 3/8 unflanged, for modified motors	pr	15.00
				442	MODIFIED MOTOR ENDBELL, stand up brush. Yokomo endbell with bearing included.	1	24.00
730X	NEW & IMPROVED STANDUP BRUSH. Low resistance, long com life	pr	3.00	443	MODIFIED MOTOR ENDBELL, lay down brush. Yokomo endbell with bearing included	1	24.00
732X	NEW & IMPROVED 1:12 AND 1:10 ON ROAD BRUSH. Competition on road brush only. Short brush and com life.	pr	3.00	445	MODIFIED MOTOR CAN, with 4.9 magnets. Yokomo can with ball bearing	1	24.00
733	STANDARD ON ROAD CLIPPER BRUSH, with slotted, adjustable contact area. Allows brushes to be tuned for motor and track. Standard brush, on road and stock motor compound	pr	4.50	446	SHIM KIT, with five .010", five .005" & five .003" shims. Fits any 1/8" shaft.	Set	2.50
734	STANDARD OFF ROAD CLIPPER BRUSH, with slotted, adjustable contact area. Allows brushes to be tuned for motor and track. Standard brush, off road compound	pr	4.50	<b>REEDY NI-CAD BATTERIES</b>			
737X	NEW STANDARD UPRIGHT 1:10 OFF ROAD BRUSH. Used in assembly of all stand up motors.	pr	3.00	<b>REEDY ZAPPERS BATTERIES</b>			
				<i>REEDY ZAPPERS BATTERIES with NEW Voltage Maximizing Technology jointly developed and used exclusively by Reedy Modifieds and Team Orion</i>			

Part #	Description	Qty	Price	Part #	Description	Qty	Price
640	REEDY NOVA ZAPPERS, unmatched & unassembled 6-cell. Each cell goes through special high voltage treatment process, giving you high voltage cells in a sport pack.	6	65.00	6938	4-40 X 1/2" ALUM. FLAT HEAD Socket Screw	6	2.00
642	REEDY ZAPPERS, cycled & matched, unassembled 6-cell with high voltage processing. Recommended for stock class racing and four minute off road racing.	6	90.00	7658	8-32 X 3/8" ALUM. FLAT HEAD Machine Screw, black anodized	6	2.00
643	REEDY ZAPPERS, cycled & matched unassembled 7-cell with high voltage processing.	7	105.00	6280	8-32 X 1/2" ALUM. FLAT HEAD Machine Screw	16	2.00
644	REEDY WC ZAPPERS, cycled & matched premium unassembled 6-cell w/high voltage processing. Recommended for on road, oval and truck competition.	6	120.00	6281	8-32 X 7/8" ALUM. FLAT HEAD Machine Screw	6	2.00
645	REEDY NOVA-ZAPPERS 2000, unmatched, but have high voltage. Unassembled. Great for all-around racing.	6	90.00	3325	8-32 X 1 1/4" ALUM. FLAT HEAD Machine Screw	6	1.50
646	REEDY ZAPPERS 2000, Incorporates the Sanyo RC2000 batteries and VMT. Unassembled. Recommended for off road racing and stock class racing.	6	115.00	6284	4-40 X 1/4" ALUM. SOCKET HEAD Cap Screw	12	4.00
647	REEDY WC ZAPPERS 2000, the top percentage of cells cycled, voltage processed, and matched. Unassembled. Recommended for on road racing and 6 cell truck racing.	6	130.00	4145	4-40 X 5/16" ALUM. SOCKET HEAD Cap Screw	4	1.50
<b>NOVA SERIES 1700 mAH SCRC</b>				6860	4-40 X 3/8" ALUM. SOCKET HEAD Cap Screw	6	2.50
636	NOVA, 6 cell matched unassembled pack, 1700 mAH SCRC-SP cells, for off road or club level on road.	6	61.50	7801	4-40 X 5/8" ALUM. SOCKET HEAD Cap Screw	8	2.50
637	NOVA 7 cell matched unassembled pack, 1700 mAH SCRC-SP cells, for off road or club level on road.	7	71.75	6935	4-40 X 1" ALUM. SOCKET HEAD Cap Screw	4	3.00
<b>BATTERY ACCESSORIES</b>				9290	LIGHTWEIGHT ALUM. SCREW SET, for RC10B2, blue anodized, replaces all non-critical screws for weight reduction, 22 screws	set	7.00
650	BATTERY BRAID STRIPS	6	1.50	6936	#4 ALUMINUM FLAT WASHER	10	1.00
651	REEDY BATTERY BARS, silver treated battery bars for assembling individual cells into packs. Low electrical resistance for more power. Higher strength reinforces construction of your pack. Soldering is easier.	6	4.00	3323	#8 ALUMINUM FLAT WASHER, thick	12	1.50
652	BATTERY POWER CONNECTOR PINS. Eliminates hassle of soldering battery pack to radio leads. Quick connect/disconnect	5pr	10.00	3438	8-32 ALUMINUM LOCKNUT	3	1.50
<b>T-SHIRT</b>				4184	4-40 NYLON LOCKNUT	6	1.00
<i>See Associated's Pictorial Catalog for full-color pictures of all items below</i>				4185	8-32 NYLON LOCKNUT	6	1.00
SP-37	REEDY FIRE HAWK T-SHIRT. Fluorescent orange "Fire Hawk" and white Reedy logo on black T-shirt. Printed both sides. Specify XL only	1	11.00*	4449	4-40 ALUM. LOCKNUT, small pattern (gold anodized)	5	2.50
<b>DECALS</b>				6222	4-40/5-40 NYLON SELF THREADING LOCKNUTS, black	8	2.00
717	REEDY MODIFIED DECALS, Reedy Logo, 3 sizes in both black and white (5.5" x 8.5" sheet)	1	2.50	6937	4-40 ALUMINUM LOCKNUTS (blue anodized)	6	3.00
718	REEDY MODIFIED DECALS, Reedy Logo, 3 sizes in both fluorescent red and green (5.5" x 8.5" sheet)	1	3.50	<b>STANDARD FASTENERS</b>			
<b>MISCELLANEOUS ITEMS</b>				6288	4-40 X 1/4" BUTTON HEAD Socket Screw	6	2.00
<i>The following fasteners include parts not standard on the RC10B2. These are included to meet any needs for custom installations.</i>				6920	4-40 X 3/16" BUTTON HEAD Socket Screw	6	2.00
<i>Fasteners are listed in this order: Button Head, Flat Head, Socket Head, from short length to long, 4-40 to 8-32.</i>				6919	4-40 X 5/16" BUTTON HEAD Socket Screw	6	2.00
   Button head   Flat head   Socket head				6917	4-40 X 3/8" BUTTON HEAD Socket Screw	6	2.00
<b>LIGHTWEIGHT ALUMINUM &amp; NYLON FASTENERS</b>				6918	4-40 X 1/2" BUTTON HEAD Socket Screw	6	2.00
6939	4-40 X 1/4" ALUM. FLAT HEAD Socket Screw	6	2.00	7633	4-40 X 5/8" BUTTON HEAD Socket Screw	6	2.00
6933	4-40 X 5/16" ALUM. FLAT HEAD Socket Screw	6	2.00	6291	4-40 X 1/4" FLAT HEAD Socket Screw	6	2.00
6934	4-40 X 3/8" ALUM. FLAT HEAD Socket Screw	6	2.00	7673	4-40 X 5/16" FLAT HEAD Socket Screw	6	2.00
7873	4-40 X 7/16" ALUM. FLAT HEAD Socket Screw	8	2.50	6292	4-40 X 3/8" FLAT HEAD Socket Screw	6	2.00
<b>TOOLS</b>				6922	4-40 X 1/2" FLAT HEAD Socket Screw	6	2.00
<b>NOVA SERIES 1700 mAH SCRC</b>				6915	4-40 X 5/8" FLAT HEAD Socket Screw	6	2.00
6939	4-40 X 1/4" ALUM. FLAT HEAD Socket Screw	6	2.00	6923	4-40 X 3/4" FLAT HEAD Socket Screw	6	2.00
6933	4-40 X 5/16" ALUM. FLAT HEAD Socket Screw	6	2.00	7672	4-40 X 7/8" FLAT HEAD Socket Screw	6	2.00
6934	4-40 X 3/8" ALUM. FLAT HEAD Socket Screw	6	2.00	9215	6-32 X 3/16" FLAT HEAD Machine Screw, Phillips	6	1.50
7873	4-40 X 7/16" ALUM. FLAT HEAD Socket Screw	8	2.50	6931	8-32 X 1/4" FLAT HEAD Machine Screw, steel	6	1.00
<b>NOVA SERIES 1700 mAH SCRC</b>				6285	4-40 X 1/4" SOCKET HEAD Cap Screw	12	2.00
6939	4-40 X 1/4" ALUM. FLAT HEAD Socket Screw	6	2.00	6932	4-40 X 5/16" SOCKET HEAD Cap Screw	6	2.00
6933	4-40 X 5/16" ALUM. FLAT HEAD Socket Screw	6	2.00	6924	4-40 X 3/8" SOCKET HEAD Cap Screw	6	2.00
6934	4-40 X 3/8" ALUM. FLAT HEAD Socket Screw	6	2.00	6929	4-40 X 3/8" SOCKET HEAD Cap Screw, w/hole	4	2.00
7873	4-40 X 7/16" ALUM. FLAT HEAD Socket Screw	8	2.50	7874	4-40 X 7/16" SOCKET HEAD Cap Screw	8	2.50
<b>NOVA SERIES 1700 mAH SCRC</b>				6925	4-40 X 1/2" SOCKET HEAD Cap Screw	6	2.00
6939	4-40 X 1/4" ALUM. FLAT HEAD Socket Screw	6	2.00	6916	4-40 X 1/2" SOCKET HEAD CAP Screw, w/hole	4	2.00
6933	4-40 X 5/16" ALUM. FLAT HEAD Socket Screw	6	2.00	6926	4-40 X 5/8" SOCKET HEAD Cap Screw	6	2.00
6934	4-40 X 3/8" ALUM. FLAT HEAD Socket Screw	6	2.00	6927	4-40 X 3/4" SOCKET HEAD Cap Screw	6	2.00
7873	4-40 X 7/16" ALUM. FLAT HEAD Socket Screw	8	2.50	6930	4-40 X 3/4" SOCKET HEAD Cap Screw, special	6	2.00
<b>NOVA SERIES 1700 mAH SCRC</b>				7738	4-40 X 7/8" SOCKET HEAD Cap Screw	2	1.00
6939	4-40 X 1/4" ALUM. FLAT HEAD Socket Screw	6	2.00	6928	4-40 X 1" SOCKET HEAD Cap Screw	6	2.00
6933	4-40 X 5/16" ALUM. FLAT HEAD Socket Screw	6	2.00	3216	WASHER, #4	12	1.00
6934	4-40 X 3/8" ALUM. FLAT HEAD Socket Screw	6	2.00	3721	SELF-TAPPING Screw, 2-56 X 1/4"	12	1.00
7873	4-40 X 7/16" ALUM. FLAT HEAD Socket Screw	8	2.50	6242	FRONT WHEEL LOCKNUT, 4-40	6	1.00
<b>NOVA SERIES 1700 mAH SCRC</b>				6295	4-40 NUTS, 6 each plain nut, nylon and steel locknut	18	2.00
6939	4-40 X 1/4" ALUM. FLAT HEAD Socket Screw	6	2.00	6296	8-32 LOCKNUTS, 6 each alum. and nylon	12	3.00
6933	4-40 X 5/16" ALUM. FLAT HEAD Socket Screw	6	2.00	6951	4-40 X 1/8" SOCKET SET Screw, w/Allen wrench	6	2.50
6934	4-40 X 3/8" ALUM. FLAT HEAD Socket Screw	6	2.00	7260	4-40 SMALL PATTERN PLAIN NUTS	12	2.00
7873	4-40 X 7/16" ALUM. FLAT HEAD Socket Screw	8	2.50	<b>TOOLS</b>			





6950	ALLEN WRENCH SET, .050", 1/16", 5/64", 3/32"	set	2.50
6955	SHOCK WRENCH SET (and ball joint splitter)	1	2.50
6957	.050" ALLEN DRIVER, precision ground replaceable tip, alum. hex handle (clear anodized)	1	10.50
6958	1/16" ALLEN DRIVER, precision ground replaceable tip, alum. hex handle (black anodized)	1	10.50
6959	5/64" ALLEN DRIVER, precision ground replaceable tip, alum. hex handle (blue anodized)	1	10.50
6960	3/32" ALLEN DRIVER, precision ground replaceable tip, alum. hex handle (gold anodized)	1	10.50
6961	2.5 mm ALLEN DRIVER, precision ground replaceable tip, alum. hex handle (green anodized)	1	10.50
6962	1.5 mm ALLEN DRIVER, precision ground replaceable tip, alum. hex handle (purple anodized)	1	10.50
6964	.050" REPLACEMENT TIP, precision ground	1	5.50
6965	1/16" REPLACEMENT TIP, precision ground	1	5.50
6966	5/64" REPLACEMENT TIP, precision ground	1	5.50
6967	3/32" REPLACEMENT TIP, precision ground	1	5.50
6968	2.5 mm REPLACEMENT TIP, precision ground	1	5.50
6969	1.5 mm REPLACEMENT TIP, precision ground	1	5.50
<b>EQUIPMENT CARRIERS</b>			
<i>See our 1:10 Pictorial Catalog for full-color pictures of car carrier, shirts and videos</i>			
SP-100	ASSOCIATED CAR CARRIER BOX, cardboard outer box w/locking end flap (fits inside #SP-415 carrier bag), includes three 24" X 12" X 6" inner boxes. <i>Due to its large size, an additional \$15.00 must be added to UPS standard shipping charges</i>	1	15.00**
SP-101	INNER BOXES 24" X 12" X 6." Replacement cardboard inner boxes for #SP-100 car carrier box	3	5.25**
SP-415	ASSOCIATED CAR CARRIER BAG, black nylon w/brass zipper. Fits #SP-100 car carrier box	1	39.95**
<b>WEARABLES</b>			
SP-410	TEAM ASSOCIATED JACKET, red, white & blue. Fully lined. Specify M,L,XL, XXL, XXXL	1	59.95**
<b>VIDEOS</b>			
6977	VHS VIDEO, "R/C CAR RACING '95". Featuring highlights from 1995's most exciting races from around the world!	1	19.95
6977P	PAL VIDEO, "R/C CAR RACING '95". Same as #6977 but in international PAL format.	1	19.95