

1:10 RC10 OFF ROAD CATALOG

CLEAR BODIES

cd	Part #	Description	Qty	Price
	6121	VIPER single seat buggy	1	14.00
	6122	ASSOCIATED RC10T TRUCK. Fits RC10 after conversion to RC10T	1	18.00
	6130	RC10T ASSOCIATED TEAM TRUCK (slightly narrower than #6122 kit body). Fits RC10 after conversion to RC10T	1	18.00
	6132	T2 RACING TRUCK BODY, clear Lexan		18.00
a	6160	PROTECH BUGGY	1	14.00
	6161	SIDEWINDER single seat buggy	1	14.00
	6162	COUGAR OUTLAW oval full-fendered	1	18.00
	6163	SPRINTER #1	1	14.00
b	6173	PROTECH II updated Buggy	1	14.00

BODY ACCESSORIES

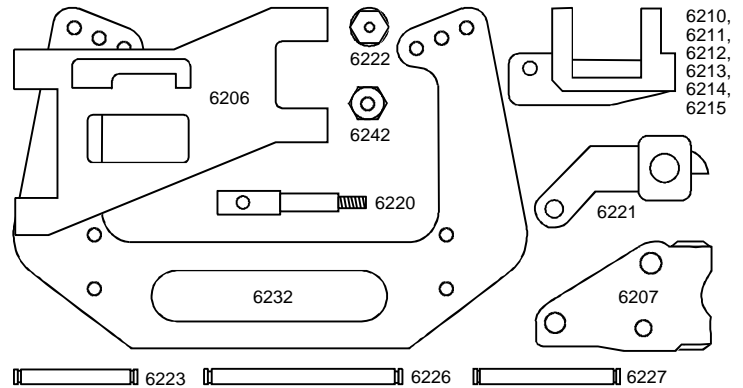
all	Part #	Description	Qty	Price
	6180	DRIVER, clear	1	2.00
all	6181	HIGH DOWN FORCE WING KIT, includes #6182 wing, #6190 wing mounts and wire (used in current RC10 car kits)	1	3.50
cde	6182	HIGH DOWN FORCE WING, 5 1/2"	1	2.00
	6183	HIGH DOWN FORCE WING, 7"	1	2.00
	6184	WING, small, 2 X 4.5, plastic only	1	1.50
ab	6185	WING KIT, 2 X 4.5, adjustable mounts	1	3.50
	6186	WING, large, 2.5 X 6, plastic only	1	2.00
	6187	WING KIT, 2.5 X 6, adjustable mounts	1	4.00
	6188	SPRINT WING, with side dam	1	4.00
	6189	SPRINT WING KIT w/side dam, hardware	1	8.00
all	6190	WING MOUNTS, adjustable (Wing-Things)	pr	1.75
	6193	SUPER WING THINGS, aluminum	pr	3.50
	7185	TRUCK REAR BODY SPOILER, Lexan	1	2.00

DECALS

cde	Part #	Description	Qty	Price
	6196	DECAL SHEET 6 1/2" X 6 1/2", 5 colors; misc. sponsors	1	2.00
	3817	TEAM ASSOCIATED LOGO BUMPER STICKERS, 1 large, 1 small. Red, white, blue	1	4.00
	3818	TEAM ASSOCIATED logo decals, black, 6 logos	1	1.00
	3819	TEAM ASSOCIATED logo decals, white, 6 logos	1	1.00
	3807	"RC10" DECALS, 3 sizes, fluores. red & yel	1	2.00
	3808	"RC10T" DECALS, 3 sizes, fluores. red & yel	1	2.00
	3809	"RC12L" DECALS, 3 sizes, fluores. red & yel	1	2.00
	3810	"RC10L" DECALS, 3 sizes, fluores. red & yel	1	2.00
	3811	RC10GT DECALS, 2 sizes of "RC10GT", fluores. red & yellow with "GT" in white smoke	1	2.00

	3812	RC10T2 DECAL, 3 sizes of "RC10T2," fluor.	1	2.00
	7195	RC10T TRUCK DECAL SHEET, for #6122 body	1	4.00
	7198	T2 RACING TRUCK DECAL SHEET. 8.5 x 10" 6 colors. Realism for the #6132 T2 Truck body.	1	4.00

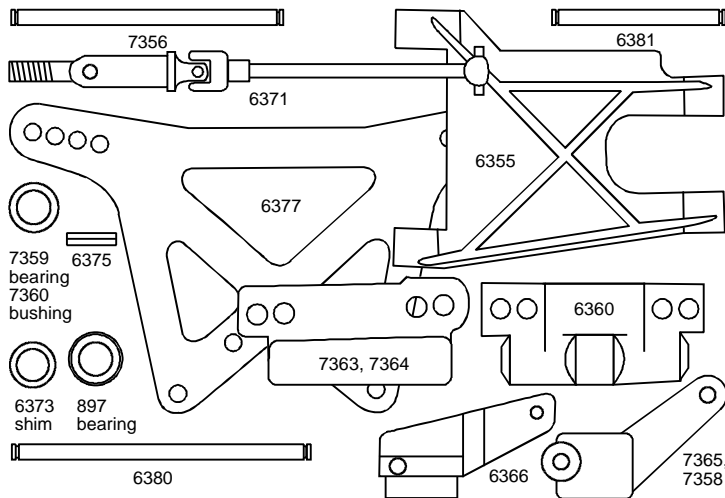
FRONT SUSPENSION



a	6200	FRONT SUSPENSION KIT, no shocks	1	26.00
a	6201	FRONT ANTIROLL BAR KIT	1	7.00
a	6205	FRONT A-ARMS	pr	4.00
bcde	6206	FRONT A-ARMS, black composite material, wide track	pr	6.00
all	6207	FRONT SUSPENSION MOUNT	pr	2.00
cde	6210	FRONT BLOCK CARRIER, 30° caster. (New standard kit)	pr	3.00
	6211	FRONT BLOCK CARRIER, 5° caster	pr	4.50
	6212	FRONT BLOCK CARRIER, 10° caster	pr	4.50
ab	6213	FRONT BLOCK CARRIER, 15°	pr	3.00
	6214	FRONT BLOCK CARRIER, 20° caster	pr	4.50
	6215	FRONT BLOCK CARRIER, 25° caster	pr	4.50
a	6216	FRONT STEERING BLOCK	pr	2.00
b	6217	INLINE STEERING BLOCK, use with 6218	pr	2.00
b	6218	INLINE FRONT AXLE, use with #6217	pr	5.00
a	6219	FRONT STUB AXLE, with clips, nuts	pr	5.00
cde	6220	ALUMINUM FRONT INLINE AXLES. Axle thread is now 5-40, not 4-40. Uses #6222 black nylon locknut	pr	6.00
cde	6221	INLINE STEERING BLOCK, for alum. axles	pr	2.00
cde	6222	SELF-THREADING NYLON LOCKNUT, for #6220 axles	8	2.00
all	6223	KINGPIN, with clips	pr	2.50
a	6224	SHOCK PIN, with set screws	pr	2.50
all	6226	HINGE PIN, inner, with clips	pr	2.50
all	6227	HINGE PIN, outer, with clips	pr	2.50
bcd	6231	FRONT SHOCK STRUT	1	5.00
a	6235	4-40 THREADED ROD, (upper link)	pr	1.00

	6312	CLEAR CHASSIS PROTECTIVE SHEET to protect the chassis finish, 6 1/2" X 18"	1	6.50					
	6318	NOSE PLATE, neon lime green	1	11.00					
de	6321	NOSE BRACE TUBES, black anodized	2	5.00					
all	6323	REAR BULKHEAD, new updated design	1	4.00					
abcd	6325	TRANSMISSION BRACE	1	2.00					
e	6593	GRAPHITE TRANSMISSION BRACE for Assoc. tranny only	1	5.00					
all	6327	WING TUBE	2	1.00					
all	6330	BODY MOUNT KIT, w/hardware (bag 6-5)	1	2.00					
all	6332	HOOD PIN	6	.75					
all	6334	BATTERY CUP, w/straps, hardware (6-7)	2	6.00					
abcd	6335	BATTERY HOLD-DOWN STRAP	pr	2.50					
all	6336	SERVO MOUNT, w/ hardware (bag 6-6)	4	2.00					
all	6338	ANTENNA KIT, with hardware	1	2.00					
e	6339	FIBERGLASS BATTERY HOLD DOWN STRAP for 6-cell battery pack mounted front to rear in chassis	1	7.00					

REAR SUSPENSION

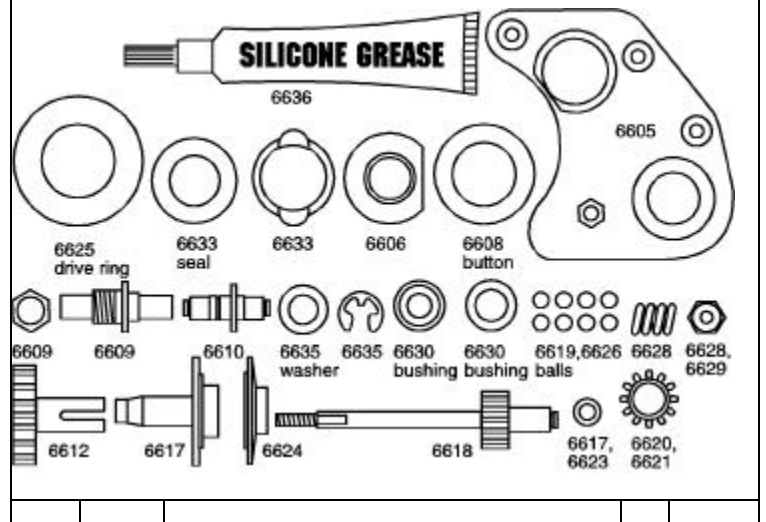
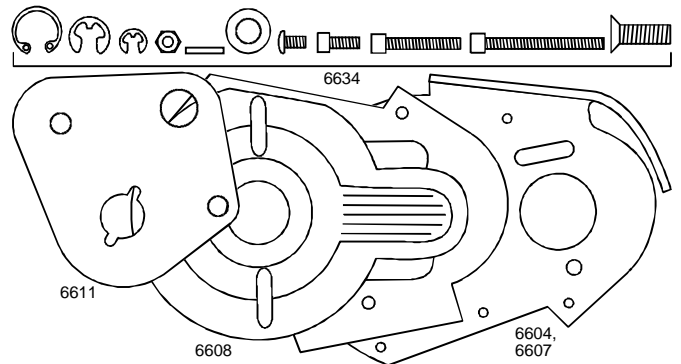


Toe-in degrees refer to one side of vehicle.

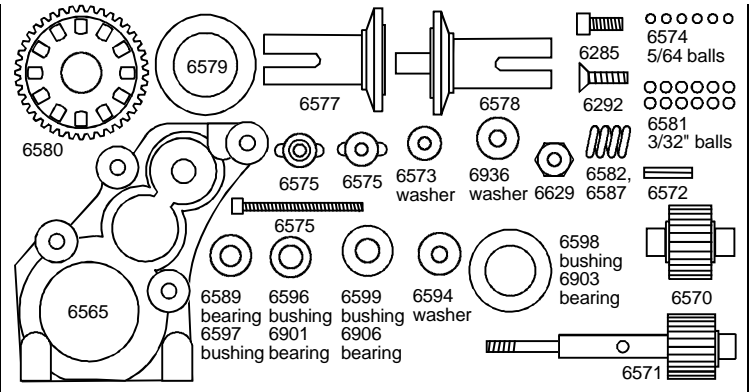
c	6350	REAR SUSPENSION KIT, no shocks (bag 6-8)	1	35.00					
	6351	REAR ANTI-ROLL BAR KIT	1	7.00					
all	6355	REAR A-ARM, black composite material	pr	5.00					
all	6360	REAR SUSP. MOUNT, 1.5° toe-in per side	pr	2.00					
bde	897	BALL BEARING, 1/4 X 3/8 flanged. Fits #6365 and 6366 rear hub carriers.	2	13.00					
bcde	6366	REAR HUB CARRIER, black composite material. 1.5° toe-in per side. Used with #6360 rear mounts gives 3° toe-in per side. Uses 1/4" x 3/8" flanged bearing #897	pr	4.50					
ac	6370	DOGBONE (rear half-shaft)	1	6.00					
ac	6372	DOGBONE SPRING and spacers	4	.75					
bde	6373	SPACER for #6371	10	1.50					
ac	6374	REAR STUB AXLE, with roll pin	1	5.00					

all	6375	ROLL PIN for stub axle (Fits only #6371 or #6374 axles)	6	.75					
e	6377	REAR SHOCK STRUT, graphite composite	1	11.00					
abcd	6378	REAR SHOCK STRUT	1	4.50					
ab	6380	HINGE PIN, rear, inner	2	3.00					
all	6381	HINGE PIN, rear, outer	2	2.50					
cde	7356	HINGE PIN, rear, inner	2	3.00					
a	6385	4-40 X 1 1/4 threaded rod (upper link)	2	1.00					
ac	6387	AXLE BUSHING, 1/4 X 3/8 X .400 and washer. Fits #6365 and #6366 rear hub carriers	2	1.00					
ac	6388	CONE WASHER, 1/4 X .400 X .006	4	1.00					
	6390	KNOCKOFFS, rear wheel 8-32 nylon wing nuts	4	1.00					
cde	6394	REBUILD KIT, screws, clips, pins, etc.	1	10.00					
	7364	REAR SUSPENSION MOUNT, 0° toe-in	pr	2.00					
	7363	REAR SUSPENSION MOUNT, 3° toe-in	pr	2.00					
	7365	REAR HUB CARRIER, 0° toe-in per side (uses 1/4 X 3/8 unflanged bearing #7359)	pr	3.50					
	7358	REAR HUB CARRIER, 3° toe-in per side (uses 1/4 X 3/8 unflanged bearing #7359)	pr	3.50					
	7359	BALL BEARING, 1/4 X 3/8 unflanged, fits #7358 & 7365 rear hub carriers	pr	15.00					
	7360	BUSHING, 1/4 X 3/8 unflanged, fits #7358 & 7365 rear hub carriers	4	2.00					
cde	3438	ALUMINUM LOCK NUT, 8-32	3	1.50					
	8182	SPECIAL NUT, 8-32, alum. plain nut. Used for rear suspension mount	6	2.00					

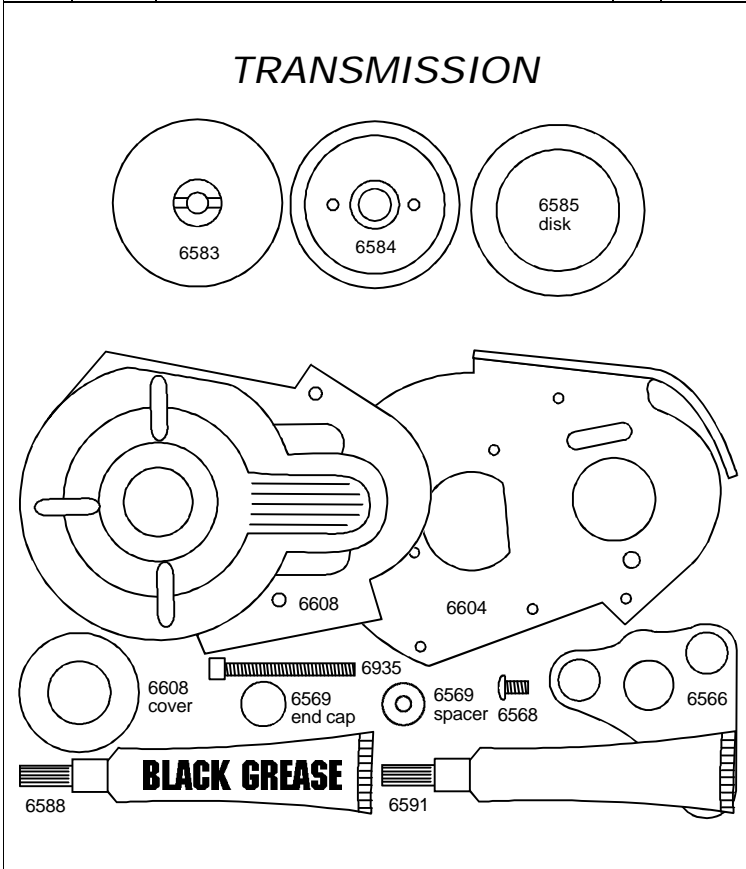
TRANSMISSION



Kit	Part #	Description	Qty	Price	Kit	Part #	Description	Qty	Price
ab	6605	HOUSING, left and right	pr	5.00					
ab	6606	BEARING ADAPTER	2	1.50					
abc	6607	MOTOR MOUNTING PLATE, gold anodized. Also fits Assoc. transmission.	1	6.00					
de	6604	MOTOR MOUNTING PLATE, black anodized. Also fits Assoc.transmission.	1	6.00					
all	6608	GEAR DUST COVER	1	1.00					
ab	6609	DRIVE GEAR PIVOT	1	4.00					
ab	6610	IDLE GEAR PIVOT	1	3.00					
ab	6611	SPINE (CENTER) PLATE	1	2.00					
ab	6612	AXLE DRIVE GEAR	1	6.00					
ab	6614	IDLE GEAR, black, precision, reinforced	pr	5.00					
ab	6617	DIFF TUBE, w/inner hub & PTFE bushings	1	7.00					
ab	6618	DIFF SHAFT, with left dif pinion	1	9.00					
	6619	DIFF BALL, 1/8" Carbide	8	8.00					
ab	6620	DIFF PINION, left (small hole)	1	4.00					
ab	6621	DIFF PINION, right, (large hole)	1	4.00					
ab	6623	DIFF PTFE BUSHING	2	1.50					
ab	6624	DIFF OUTER HUB	1	2.50					
ab	6625	DIFF DRIVE RING	2	1.50					
ab	6626	DIFF BALL	16	1.50					
ab	6627	DIFF THRUST BEARING SET	1	2.50					
ab	6587	TORQUE CONTROL SPRING & NUT	1	1.50					
abe	6629	DIFF LOCKNUT, 5-40	6	1.00					
ab	6630	TRANSMISSION OILITE BUSHING SET	1	3.00					
ab	6633	FELT SEAL	2	1.00					
ab	6634	TRANSMISSION E-CLIP and screw set	1	3.00					
ab	6635	E-CLIPS AND WASHER for #6610	3	1.00					
ab	6636	SILICON DIFF GREASE, 1/4 oz tub	1	2.50					



cde	6560	2.25:1 TRANSMISSION KIT, with bearings and Associated Torque Control	1	120.00
de	6563	COMPLETE TRANNY BALL BEARING SET	9	52.00
cde	6565	TRANSMISSION CASE, left & right sides, for 2.25:1 transmission	set	6.00
cde	6566	FELT GASKET	1	1.50
cd	6567	COMPLETE SCREW SET	10	2.50
cde	6568	SPUR GEAR SCREW	4	1.50
cde	6569	MOTOR PLATE SPACER & END CAP	set	1.50
cde	6570	IDLER SHAFT AND GEAR	set	3.50
cde	6571	DRIVE GEAR/SHAFT Assembly, w/roll pin	set	9.00
cde	6572	DRIVE SHAFT ROLL PIN	6	1.00
cde	6573	DIFF THRUST WASHER	2	3.00
cde	6574	PRECISION THRUST BALL, 5/64" (Replaces #6576)	6	2.00
cde	6575	DIFF THRUST BOLT, THRUST BEARING COVER, dogbone spacers & Locking T-nut	1	2.00
cde	6577	DIFF OUTDRIVE HUB, right, 2.25:1	1	7.50
cde	6578	DIFF OUTDRIVE HUB, left, 2.25:1	1	7.50
cde	6579	DIFF DRIVE RING, 2.25:1	2	1.50
cde	6580	DIFF GEAR, 2.25:1	1	2.50
cde	6581	CARBIDE DIFF BALL, large, 3/32"	12	12.00
cde	6582	DIFF THRUST SPRING	1	1.50
cde	6583	TORQUE CONTROL HUB, inner	1	7.50
cde	6584	TORQUE CONTROL HUB, outer	1	7.50
cde	6585	CLUTCH DISK	1	3.00
cde	6594	THRUST BEARING WASHER, replaces #6586 thrust bearing	set	2.00
cde	6587	TORQUE CONTROL SPRING & NUT	1	1.50
cde	6588	BLACK GREASE	1	2.50
cde	6589	DIFF BEARING, 5/32 X 5/16 unflanged	2	13.00
cde	6590	MOUNTING HOLE DRILL GUIDE, 2.25:1	1	2.00
cde	6591	TRANNY DIFF LUBE	1	2.50
	6950	ALLEN WRENCH SET, .027, 1/16, .050, 3/32	1	2.50
e	6593	GRAPHITE TRANSMISSION BRACE	1	5.00
all	6608	GEAR DUST COVER	1	1.00
cd	6901	BALL BEARING, 3/16 X 5/16 unflanged	pr	13.00
cde	6903	BALL BEARING, 3/8 X 5/8	2	20.00
cde	6906	BALL BEARING, 3/16 X 3/8	2	13.00
c	6595	COMPLETE BUSHING SET FOR ASSOC. TRANSMISSION	9	5.00
ce	6596	BUSHING, 3/16 X 5/16	2	1.00
c	6597	BUSHING, 5/32 X 5/16	2	1.00
c	6598	BUSHING, 3/8 X 5/8	2	1.50
c	6599	BUSHING, 3/16 X 3/8	4	2.00



abd	6478	Silver	2	1.50
	7434	Blue, soft, oval	2	1.50
ab	7435	Gold, med., oval	2	1.50
	7436	Red, firm, oval	2	1.50

LONG FRONT SPRINGS, 2" or 2.25" LENGTH

	7427	2.25", Green	2	2.00
	7428	2.25", Silver	2	1.50
	7429	2.0", Blue	2	1.50
	7425	2.0", Gold	2	1.50
	7430	2.0", Red	2	1.50

SHORT FRONT SPRINGS, 1.4" LENGTH

e	8232	Black, soft	2	2.50
cd	6494	Green, med.	2	2.50
abcd	6496	Silver, firm	2	1.50

32 PITCH GEARS

	6650	SPUR GEAR, 48 tooth	1	1.50
	6665	PRECISION MACHINED PINION, 11T	1	5.00
	6666	PRECISION MACHINED PINION, 12T	1	5.00
	6668	PRECISION MACHINED PINION, 14T	1	5.00
	6669	PRECISION MACHINED PINION, 15T	1	5.00
	6670	PRECISION MACHINED PINION, 16T	1	5.00
	6951	4-40 X 1/8" SET SCREW, with wrench	6	2.50

PRECISION SPUR GEARS FOR STANDARD TRANNY with dif ball holes

	8280	75 TOOTH, 48 PITCH	1	4.00
	8281	78 TOOTH, 48 PITCH	1	4.00
	8282	81 TOOTH, 48 PITCH	1	4.00
	8283	83 TOOTH, 48 PITCH	1	4.00
	8284	85 TOOTH, 48 PITCH	1	4.00
	8285	87 TOOTH, 48 PITCH	1	4.00

PRECISION MACHINED RACING PINION GEARS

	8252	15 TOOTH, 48 PITCH	1	6.00
	8253	16 TOOTH, 48 PITCH	1	6.00
	8254	17 TOOTH, 48 PITCH	1	6.00
	8255	18 TOOTH, 48 PITCH	1	6.00
	8256	19 TOOTH, 48 PITCH	1	6.00
	8257	20 TOOTH, 48 PITCH	1	6.00
	8258	21 TOOTH, 48 PITCH	1	6.00
	8259	22 TOOTH, 48 PITCH	1	6.00
	8260	23 TOOTH, 48 PITCH	1	6.00
	8261	24 TOOTH, 48 PITCH	1	6.00
	8262	25 TOOTH, 48 PITCH	1	6.00
	8263	26 TOOTH, 48 PITCH	1	6.00

PRECISION SPUR GEARS FOR ASSOC. TRANNY, no dif ball holes

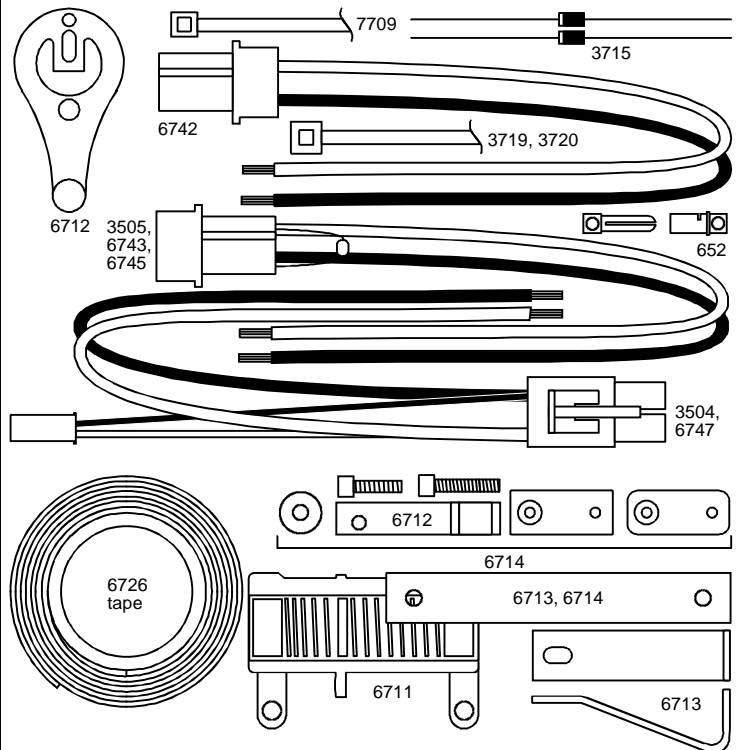
de	6693	81 TOOTH, 48 PITCH	1	4.00
	6694	85 TOOTH, 48 PITCH	1	4.00
	6695	87 TOOTH, 48 PITCH	1	4.00

	6697	83 TOOTH, 48 PITCH	1	4.00
--	------	--------------------	---	------

STOCK PINION GEARS

	6672	14 TOOTH, 48 PITCH	1	4.00
	6673	15 TOOTH, 48 PITCH	1	4.00
	6674	16 TOOTH, 48 PITCH	1	4.00
	6675	17 TOOTH, 48 PITCH	1	4.00
	6676	18 TOOTH, 48 PITCH	1	4.00
c	6679	21 TOOTH, 48 PITCH	1	4.00
	6681	23 TOOTH, 48 PITCH	1	4.00
	6682	24 TOOTH, 48 PITCH	1	4.00
	6683	25 TOOTH, 48 PITCH	1	4.00
	6684	26 TOOTH, 48 PITCH	1	4.00

ELECTRICAL



	3504	CONNECTOR, 2-pin JST mating pair, with pins	1	1.00
	3505	CONNECTOR, 2-pin AMP, mating pair	1	2.00
	3740	CONNECTOR, 3-pin AMP, mating pair	1	2.50
	3737	SILICON WIRE, 16 gauge, 2 ft orange, 2 ft black	1	5.00
	3719	NYLON WIRE TIE, 6" heavy duty	12	2.00
	3720	NYLON WIRE TIE, 8" heavy duty	12	2.00
	7709	NYLON WIRE TIE, 4" light duty	12	1.25
ac	6711	RESISTOR, throttle control, Yokomo	1	15.00
ac	6712	WIPER, throttle control	2	2.50
ac	6713	RESISTOR MOUNTING BRACKET	1	2.00
ac	6714	BYPASS KIT, for throttle resistor	1	3.50
cde	6726	NEW IMPROVED SERVO TAPE, black roll,	1	2.50

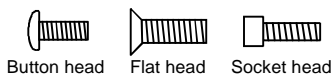
		36" length		
ac	3736	FAST-CHARGE CORD, 6-cell packs	1	5.50
	6742	CONNECTOR, 2 male-pin, 7" silicon lead	1	2.50
	6743	CONNECTOR, 2 female-pin 7" silicon lead	1	2.50
ac	6744	WIRE HARNESS, input, 3-pin, w/radio diode	1	4.50
ac	6745	WIRE HARNESS, output, 2-pin, with motor capacitor	1	3.00
ac	6746	ADAPTER, Tamiya batt. to RC10 or charger	1	4.00
	6747	WIRE HARNESS, output, Tamiya plug with B.E.C connector	1	3.00

HARDWARE

LIGHTWEIGHT ALUMINUM & NYLON HARDWARE

	6910	LIGHTWEIGHT ALUM. SCREW SET for World's Car, blue anodized, will also work for most RC10's. 49 screws	set	12.00
	6911	LIGHT WEIGHT ALUM. SCREW SET for Losi XX buggy and truck, blue anodized. 35 screws	set	9.00
	3325	ALUM. FLAT HEAD Machine screw, 8-32 X 1 1/4"	6	1.50
all	6280	ALUMINUM FLAT HEAD Machine screw, 8-32 X 1/2"	16	2.00
all	6281	ALUM. FLAT HEAD Machine screw 8-32 X 7/8"	6	2.00
	7658	FLAT HEAD MACHINE screw, 8-32 X 3/8"	6	2.00
	6284	ALUM. SOCKET Head Cap screw, 4-40 X 1/4"	12	4.00
	4145	ALUM. SOCKET HEAD Cap screw, 4-40 X 5/16"	4	1.50
e	6860	ALUMINUM SCREW, 4-40 X 3/8"	6	2.50
	7873	SOCKET HEAD Cap screw, 4-40 X 7/16" aluminum	8	2.50
	7801	SOCKET HEAD Cap screw, 4-40 X 5/8", aluminum	8	2.50
	6939	ALUM. FLAT HEAD Socket, 4-40 X 1/4"	6	2.00
	6933	ALUM. FLAT HEAD Socket, 4-40 X 5/16"	6	2.00
e	6934	ALUM. FLAT HEAD Socket, 4-40 X 3/8"	6	2.00
	6938	ALUM. FLAT HEAD Socket, 4-40 X 1/2"	6	2.00
e	6935	ALUM. SOCKET HEAD Cap screw, 4-40 X 1"	4	3.00
	6936	ALUMINUM WASHER, #4	10	1.00
all	3323	WASHER, #8	12	1.50
	8182	SPECIAL NUT, 8-32, alum. plain nut	6	2.00
cde	3438	ALUMINUM LOCK NUT, 8-32	3	1.50
	4184	NYLON LOCKNUT, 4-40	6	1.00
cd	4185	NYLON LOCKNUT, 8-32	6	1.00
	4449	4-40 ALUM. LOCKNUT, small pattern (gold anodized)	5	2.50
	6222	SELF-THREADING NYLON LOCKNUT, 4-40 & 5-40, for #6220 axles	8	2.00
	6937	ALUMINUM LOCKNUT, 4-40 (blue anodized)	6	3.00

STANDARD SCREWS



cd	3216	WASHER, #4	12	1.00
	3721	SELF-TAPPING SCREW, 2-56 X 1/4"	12	1.00
	6242	FRONT WHEEL LOCKNUT, 4-40	6	1.00
abcd	6285	SOCKET HEAD Cap screw, 4-40 X 1/4"	12	2.00
all	6288	BUTTON HEAD Socket screw, 4-40 X 1/4"	6	2.00
b	6291	FLAT HEAD Socket screw, 4-40 X 1/4"	6	2.00

all	6292	FLAT HEAD Socket screw, 4-40 X 3/8"	6	2.00
all	6295	NUTS, 4-40, 6 each plain nut, nylon and steel locknut	18	2.00
all	6296	NUTS, 8-32, 6 each alum. and nylon	12	3.00
	7260	THIN NUTS, 4-40, for ball ends	12	2.00
	6917	BUTTON HEAD Socket screw, 4-40 X 3/8"	6	2.00
	6918	BUTTON HEAD Socket screw, 4-40 X 1/2"	6	2.00
ce	6919	BUTTON HEAD Socket screw, 4-40 X 5/16"	6	2.00
cde	6920	BUTTON HEAD Socket screw, 4-40 X 3/16"	6	2.00
all	6922	FLAT HEAD SOCKET screw, 4-40 X 1/2"	6	2.00
	6923	FLAT HEAD SOCKET screw, 4-40 X 3/4"	6	2.00
	6916	4-40 x 1/2" SOCKET HEAD Cap Screw SPECIAL w/hole	4	2.00
all	6924	SOCKET HEAD Cap screw, 4-40 X 3/8"	6	2.00
all	6925	SOCKET HEAD Cap screw, 4-40 X 1/2"	6	2.00
c	6926	SOCKET HEAD Cap screw, 4-40 X 5/8"	6	2.00
all	6927	SOCKET HEAD Cap screw, 4-40 X 3/4"	6	2.00
abcd	6928	SOCKET HEAD Cap screw, 4-40 X 1"	6	2.00
abcd	6929	SOCKET HEAD Cap screw, 4-40 X 3/8" with hole	4	2.50
bcde	6930	SOCKET HEAD Cap screw, 4-40 X 3/4" special	6	2.00
acde	6931	FLAT HEAD Machine screw, 8-32 X 1/4"	6	1.00
cde	6932	SOCKET HEAD Cap screw, 4-40 X 5/16"	6	2.00
	7874	SOCKET HEAD Cap Screw 4-40 x 7/16"	8	2.50
	7658	ALUM. FLAT HEAD MACHINE screw, (black) 8-32 x 3/8"	6	2.00
	7672	FLAT HEAD SOCKET screw, 4-40 x 7/8"	6	2.00
	7673	FLAT HEAD SOCKET screw, 4-40 x 5/16"	6	2.00
	7738	SOCKET HEAD CAP screw, 4-40 x 7/8"	2	1.00
	7633	BUTTON HEAD SOCKET screw, 4-40 x 5/8"	6	2.00
e	6951	SET SCREWS & WRENCH, 4-40 X 1/8"	6	2.50

MISCELLANEOUS

Request Associated's Pictorial Catalog for pictures of these items

EQUIPMENT CARRIER

	SP-100	ASSOCIATED CAR CARRIER BOX, cardboard outer box w/locking end flap (fits inside #SP-415 carrier bag), includes three 24" X 12" X 6" inner boxes. Due to its large size, an additional \$20.00 must be added to UPS standard shipping charges	1	15.00**
	SP-101	INNER BOXES 24" X 12" X 6." Replacement cardboard inner boxes for #SP-100 car carrier box. Due to large size, add \$20.00 shipping	3	5.25**
	SP-415	ASSOCIATED CAR CARRIER BAG, black nylon with brass zipper. Fits #SP-100 car carrier box	1	39.95**

APPAREL

	SP-411	TEAM ASSOCIATED JACKET, Blue Fully lined. Specify M,L,XL, XXL, XXXL	1	79.95**
--	--------	---	---	---------

VIDEOS

	6978	VHS VIDEO, "R/C Car Racing '96". Featuring highlights from 1996's most exciting races from around the world! DISCONTINUED	1	
	6978P	PAL VIDEO, "R/C Car Racing '96". Featuring highlights from 1996's most exciting races from around the world! DISCONTINUED	1	

RC10 ON-ROAD

FRONT WHEELS & TIRES

	8125	ON ROAD FRONT WHEEL, (uses #6902 ball bearing for RC10)	pr	5.00
	8125B	ON ROAD FRONT WHEEL, black (uses #6902 ball bearing for RC10)	pr	6.00
	8125Y	ON ROAD FRONT WHEEL, fluorescent yellow (uses #6902 ball bearing for RC10)	pr	5.00
	8126	ON ROAD FRONT WHEEL, chrome finish, (uses #6902 ball bearing for RC10)	pr	8.00
	6902	BALL BEARING, for one front wheel	pr	15.00
	8130	FRONT TIRE DONUT, Green	pr	6.00
	8131	FRONT TIRE DONUT, Black	pr	4.50

REAR WHEELS & TIRES

	6940	ON ROAD REAR WHEEL	pr	6.00
	6941	ON ROAD REAR WHEEL, chrome finish,	pr	9.00
	8155	REAR TIRE DONUT, Green	pr	8.50