

### Air Filter Elements



Option:  
Foam  
Prefilter  
Treatment  
#7710



x4 25729



25730



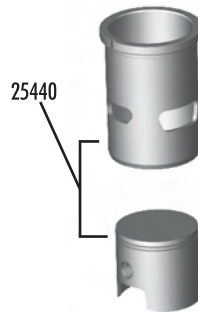
25447



25441



25442

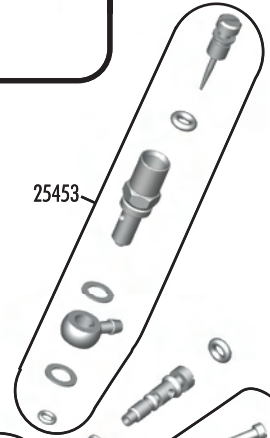


25440



**Complete Engine  
#25480**

25454



25453

25451

25455



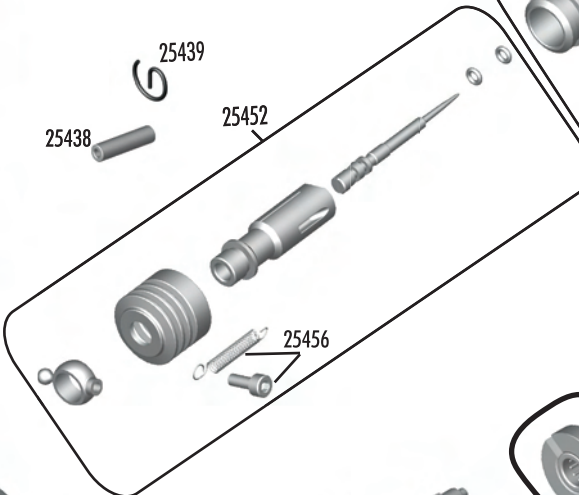
25437



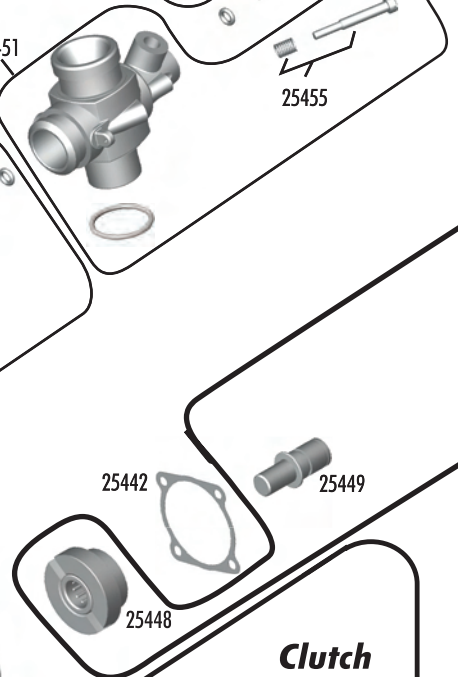
25438

25439

25452



25456



25442

25449

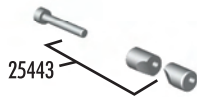
25448

**Clutch**

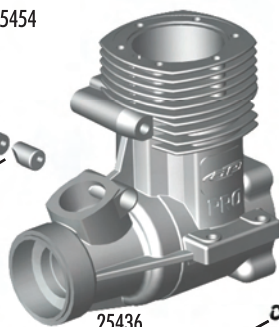


25444

25454



25443



25436

25435

25446



7618

25445

89231

25653

25237

25152



25719

25720

25152

25237

2313

25718

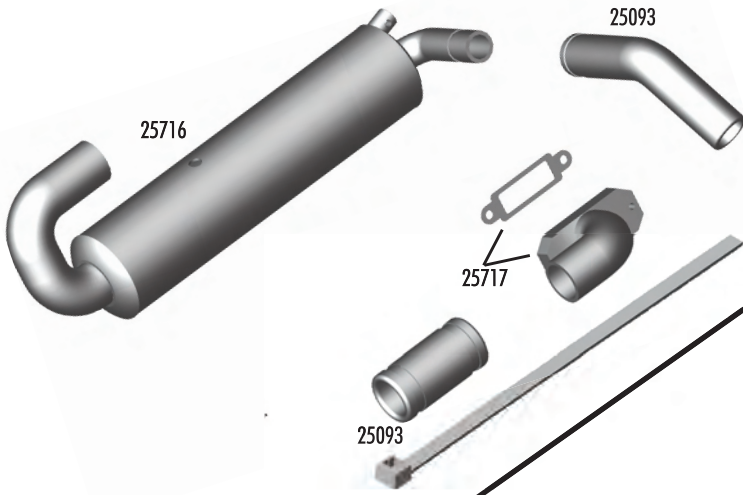
25722

25146

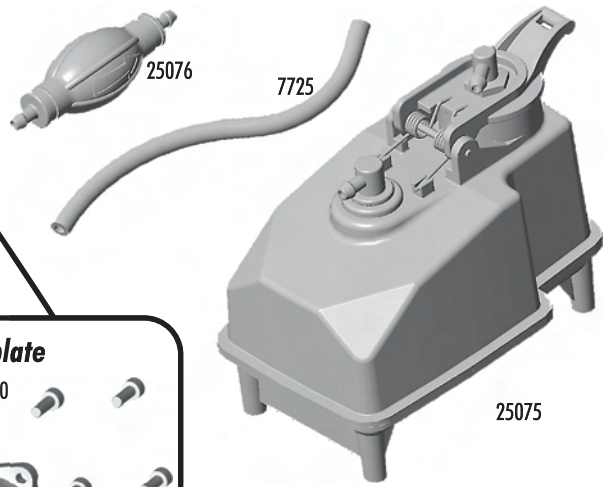
25721

# MGT8.0

**Pipe**



**Tank, Fuel Tubing & Primer Bulb**



**Backplate**



25449

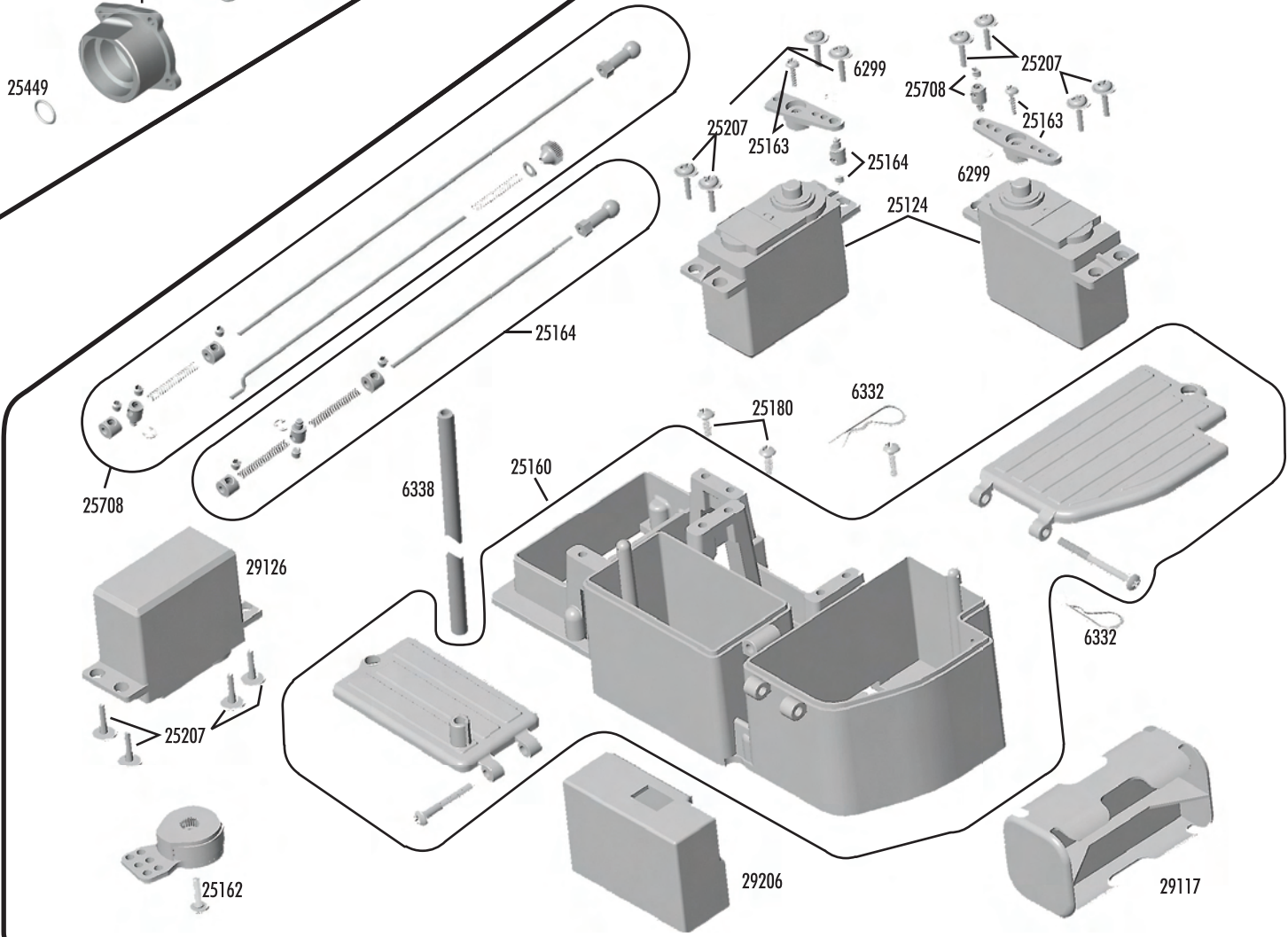
25450

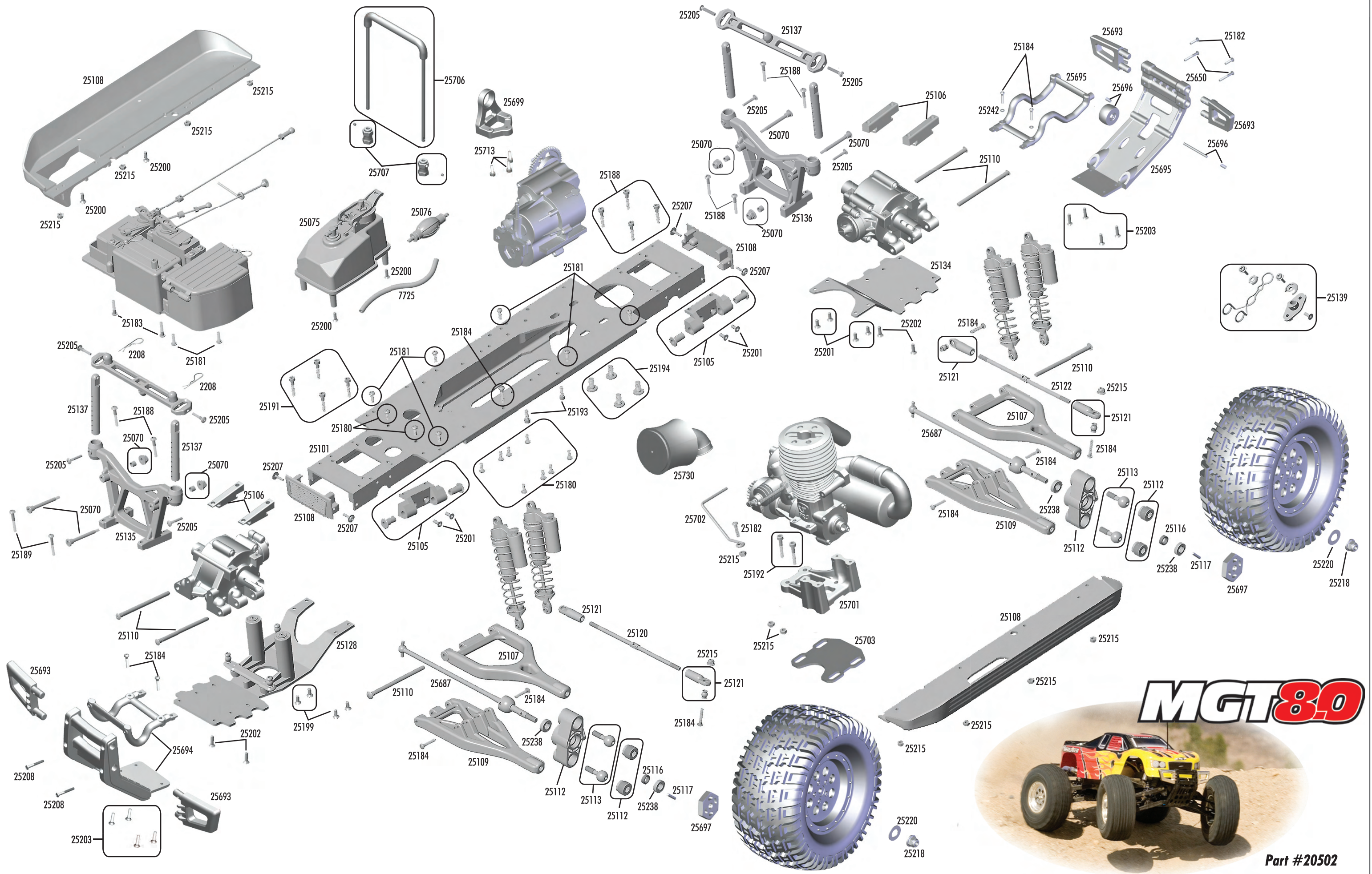
25447

25449

25449

**Radio Box**



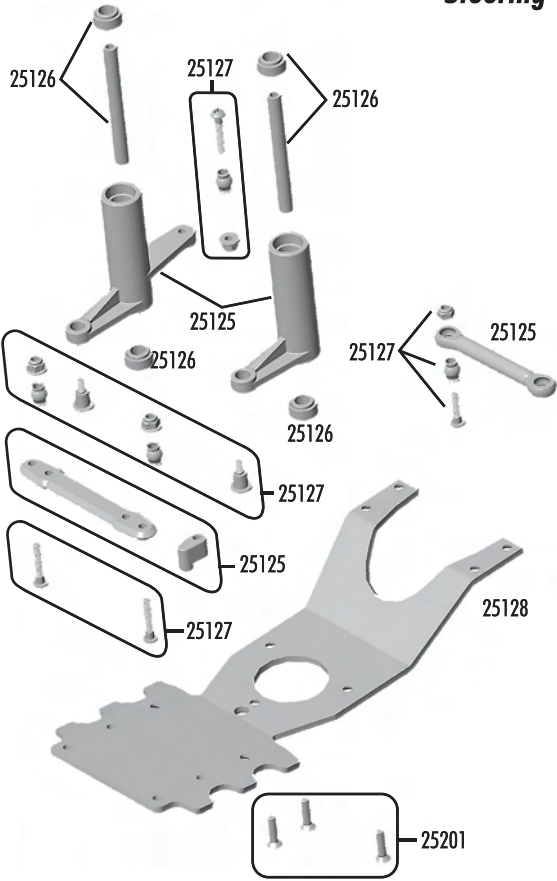


**MGT8.0**



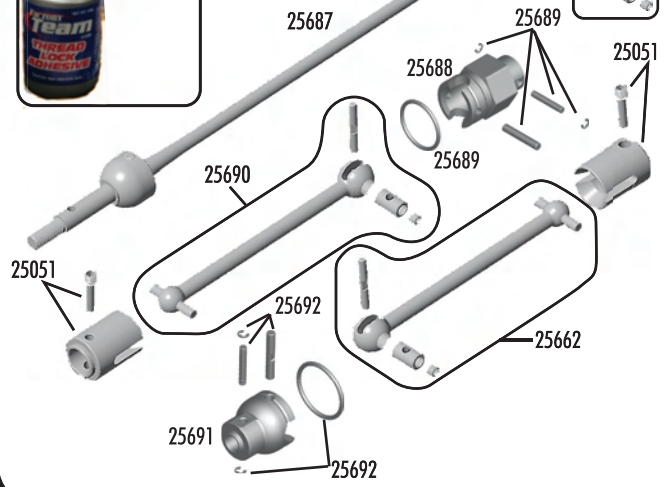
Part #20502

### Steering

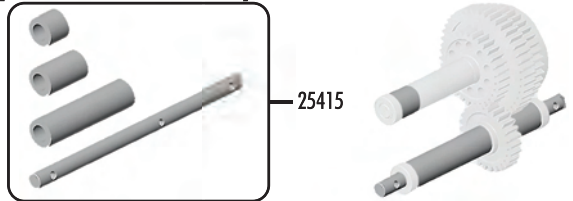


CVA Rebuild Kit: #25698  
 Universal Drive Rebuild Kit: #25698  
 Drive Cup Screw (separate): #25056  
 FR Center CVA Rebuild Kit: #25689  
 RR Center CVA Rebuild Kit: #25692

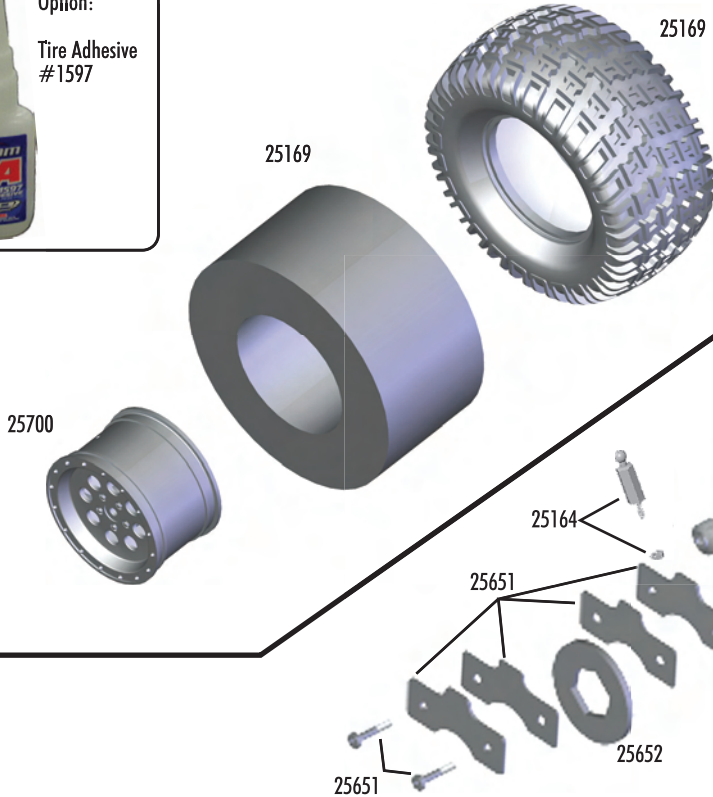
### CVA



### Optional Forward Only Conversion Kit

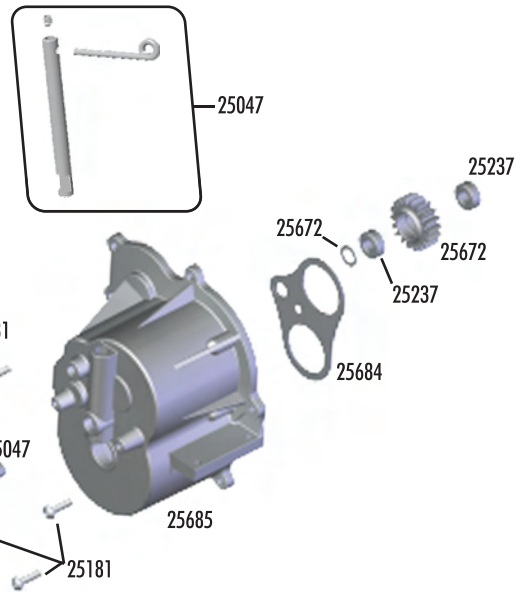


### Tires & Wheels



### Got Questions?

If you any questions or concerns, please call Team Associated's Customer Service at 949.544.7500!



### Shocks

Shock Rebuild Kit  
#25061

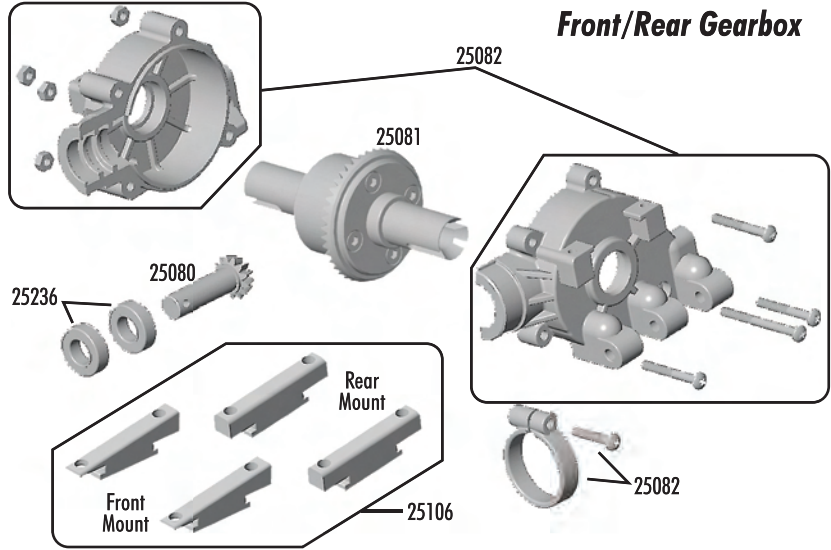
Replacement Shock Set,  
Assembled (8): #25058

Replacement Shock Set,  
Assembled (2): #25059

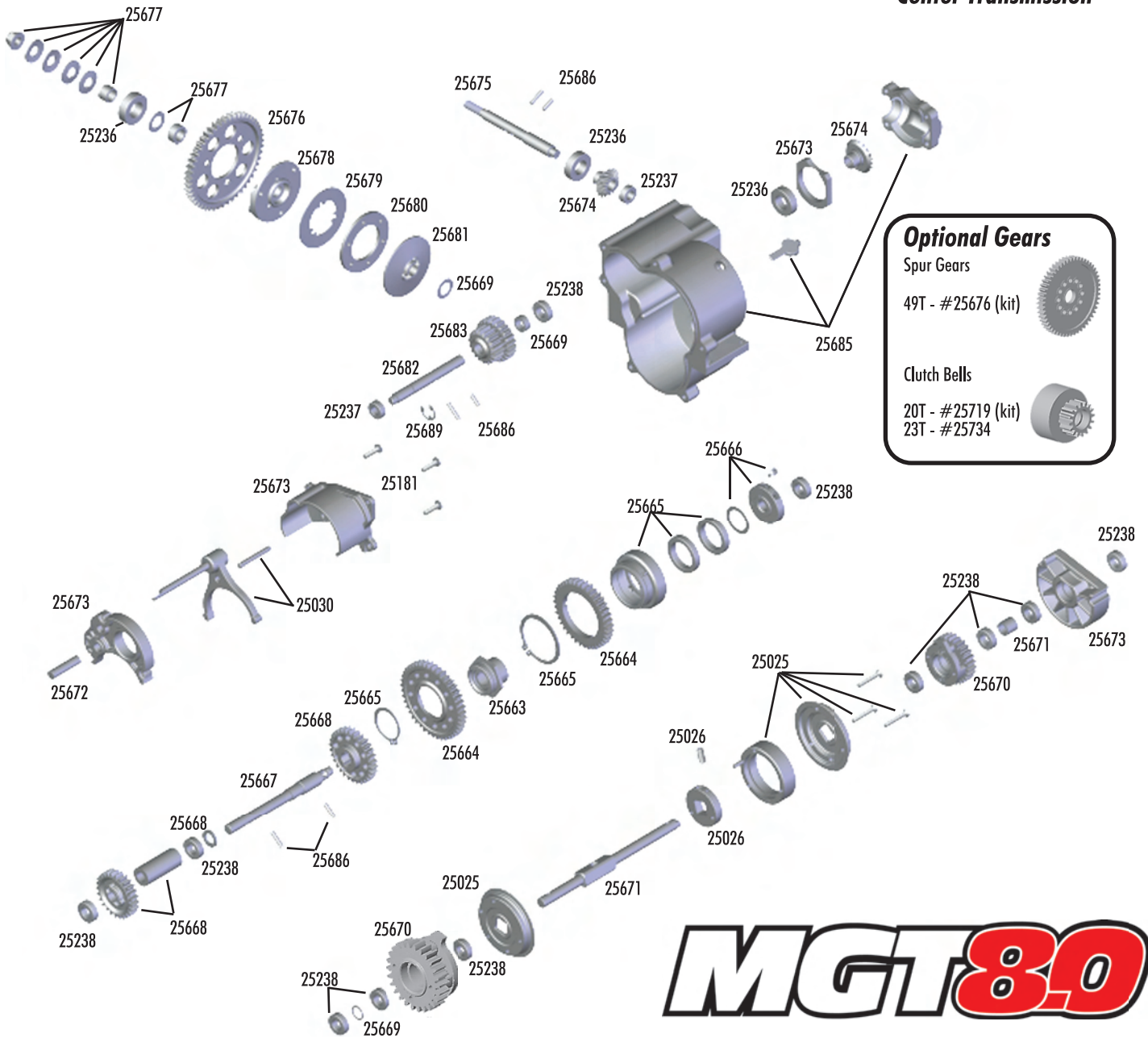
Optional Shock Springs  
Blue, Soft (4): #25062  
Gold, Medium (4): #25063  
Red, Firm (4): #25064  
Copper, Extra Firm (4): #25065  
Shock and Eyelet Set: #25069



### Front/Rear Gearbox



### Center Transmission



**Optional Gears**

Spur Gears

- 49T - #25676 (kit)

Clutch Bells

- 20T - #25719 (kit)
- 23T - #25734

