

AE .12, .15 & .18 Engine Parts

These parts fit the .12 engine

| Item | Part no. | Description |
|------|----------|---------------------------------------|
| | 2912 | .12 ENGINE w/CARB |
| 2 | 29085 | .12 SG CRANKSHAFT |
| 3 | 29086 | .12 CRANKCASE |
| 4 | 29084 | .12 WRIST PIN ASSEMBLY |
| 5 | 29087 | .12 CYLINDER & PISTON |
| 6 | 29088 | .12 CYLINDER HEAD, SILVER |
| 6 | 29090 | .12 FACTORY TEAM CYLINDERHEAD, BLACK |
| 6 | 29091 | .12 FACTORY TEAM CYLINDERHEAD, BLUE |
| 6 | 29092 | .12 FACTORY TEAM CYLINDERHEAD, PURPLE |
| 7 | 29089 | .12 GASKET SET |
| 8 | 29082 | .12 CARBURETOR (see below) |

These parts fit the .15 engine

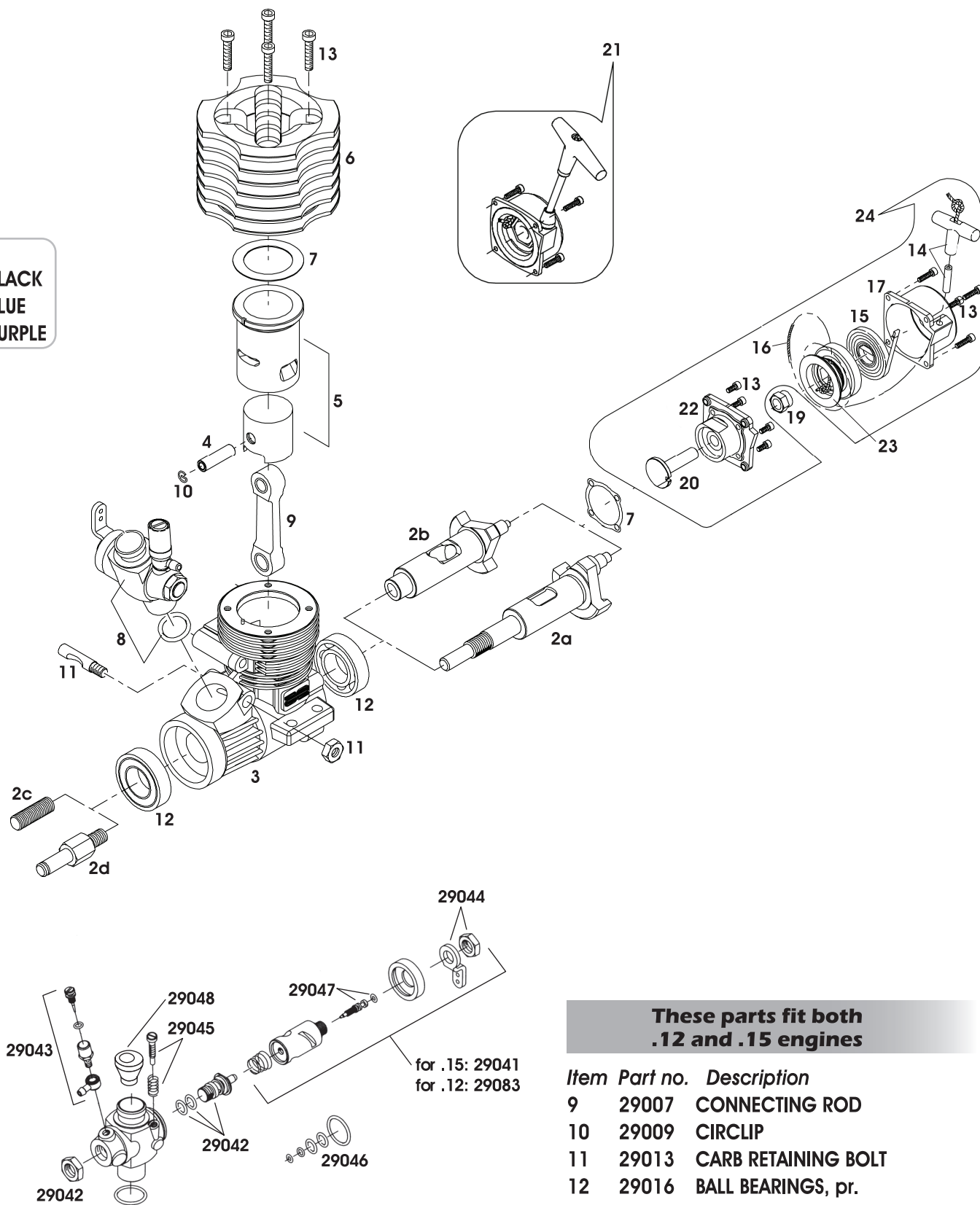
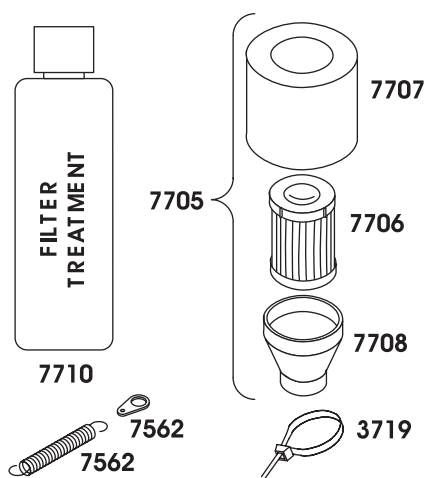
| Item | Part no. | Description |
|------|----------|---|
| | 2900 | .15 ENGINE w/CARB |
| | 2915 | .15X ENGINE w/CARB, PULLSTART SG CRANKSHAFT |
| | 2916 | .15X ENGINE w/CARB, PULLSTART STANDARD CRANKSHAFT |
| 1 | 29001 | .15 PROP NUT |
| 2 | 29004 | .15 CRANKSHAFT |
| 2a | 29006 | .15X SG CRANKSHAFT |
| 2b | 29003 | .15X STANDARD CRANKSHAFT |
| 2c | 29037 | THREADED STUD FOR STANDARD CRANKSHAFT (2) |
| 2d | 29035 | RC10GT CLUTCH NUT, male |
| 3 | 29005 | .15 CRANKCASE |
| 4 | 29008 | .15 WRIST PIN ASSEMBLY |
| 5 | 29010 | .15 CYLINDER & PISTON |
| 6 | 29011 | .15 CYLINDER HEAD, SILVER |
| 6 | 29060 | .15 FACTORY TEAM CYLINDER HEAD, BLACK |
| 6 | 29061 | .15 FACTORY TEAM CYLINDER HEAD, BLUE |
| 6 | 29062 | .15 FACTORY TEAM CYLINDER HEAD, PURPLE |
| 6 | 29063 | .15X CYLINDER HEAD GUNMETAL |
| 7 | 29012 | .15 GASKET SET |
| 8 | 29015 | .15 CARBURETOR (see below) |

These parts fit the .18 engine

| Item | Part no. | Description |
|------|----------|---------------------------|
| | 2918 | .18 ENGINE w/CARB |
| 2 | 29095 | .18 CRANKSHAFT |
| 3 | 29092 | .18 CRANKCASE |
| 4 | 29093 | .18 WRIST PIN ASSEMBLY |
| 5 | 29098 | .18 CYLINDER & PISTON |
| 6 | 29096 | .18 CYLINDER HEAD, SILVER |
| 7 | 29094 | .18 GASKET SET |
| 9 | 29097 | .18 Connecting Rod |

Accessories

| Part no. | Description |
|----------|---------------------------------|
| 3719 | NYLON TIES, 6", 12 pack |
| 7562 | THROTTLE RETURN SPRING SET |
| 7705 | AIR FILTER KIT |
| 7706 | PAPER AIR FILTER ELEMENT |
| 7707 | FOAM PRE-FILTER ELEMENT, 4 pk . |
| 7708 | AIR FILTER BOOT |
| 7710 | FOAM FILTER TREATMENT, 1 oz. |



These parts fit both .12 and .15 engines

| Item | Part no. | Description |
|------|----------|----------------------------------|
| | 9 | 29007 CONNECTING ROD |
| | 10 | 29009 CIRCLIP |
| | 11 | 29013 CARB RETAINING BOLT |
| | 12 | 29016 BALL BEARINGS, pr. |
| | 13 | 29017 SCREW SET |
| | 14 | 29021 HANDLE SET |
| | 15 | 29023 STARTING SPRING |
| | 16 | 29025 STARTING WHEEL CORD |
| | 17 | 29027 STARTING WHEEL COVER |
| | 18 | 29034 BACKPLATE, NON PULL START |
| | 19 | 29050 ONE WAY CLUTCH SET |
| | 20 | 29052 STARTING AXLE |
| | 21 | 29053 STARTING WHEEL COVER SET |
| | 22 | 29054 BACKPLATE, PULL START |
| | 23 | 29056 STARTING WHEEL |
| | 24 | 29058 STARTING SET, less One Way |

AE .12 and .15 Rotary Carburetor

| Part no. | Description |
|----------|---------------------------|
| 29015 | .15 CARBURETOR (rotary) |
| 29082 | .12 CARBURETOR (rotary) |
| 29041 | .15 CARB. ROTOR ASSEMBLY |
| 29083 | .12 CARB. ROTOR ASSEMBLY |
| 29042 | SPRAY BAR ASSEMBLY |
| 29043 | HIGH SPEED MIXTURE SCREW |
| 29044 | THROTTLE LEVER |
| 29045 | IDLE SPEED SCREW & SPRING |
| 29046 | O-RING SET |
| 29047 | LOW SPEED MIXTURE SCREW |
| 29048 | .15 CARBURETOR INSERT |

Contact Info

Associated Electrics, Inc.
26021 Commercentre Dr.
Lake Forest, CA 92630



phone: (949) 544-7500
fax: (949) 544-7501
web site: <http://www.rc10.com/>
<http://www.TeamAssociated.com/>

revised 8/2007