

RC10TC3



• RC10TC3 series • 1:10 scale • Electric Powered • 190mm Touring Car •

RC10TC3 Factory Team

RC10TC3 RTR

RC10TC3 Team

RC10TC3 Racer



Factory Team: titanium



Factory Team: blue aluminum



Factory Team: graphite

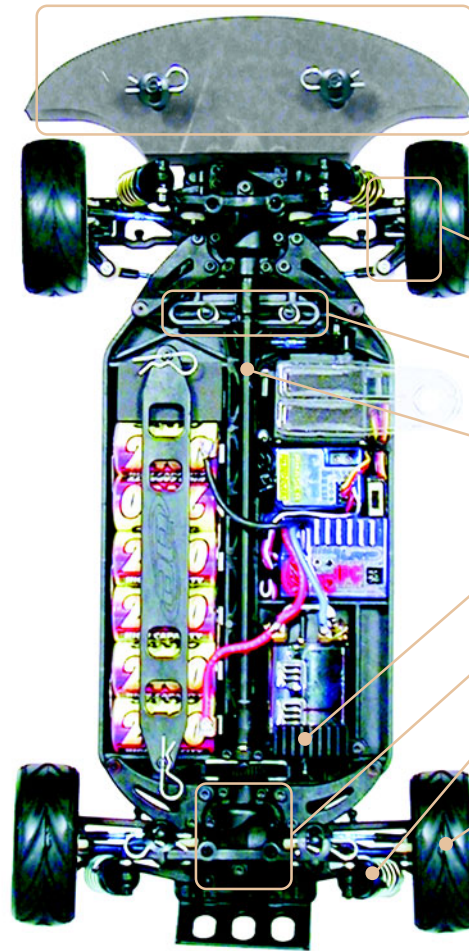
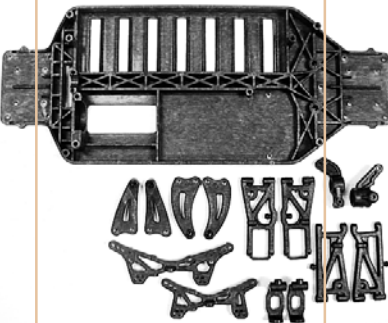


Photo shows items not included in all TC3 versions

Features

- Featherweight high-density foam bumper
- Ball bearings.
- Lowest possible CG for higher cornering speeds, less traction rolling.
- Optimized Ackerman.
- Fully adjustable caster, camber, toe-in, kickup (anti-dive), and anti-squat.
- Steering "rack" glides on dual bearing posts.
- Shaft drive design.
- Fully-adjustable motor mount/heat sink.
- Stealth ball differential.
- Super-smooth VCS Macro Shocks. Threaded shock bodies in the Factory Team version.
- Pro-Line V-Rage tires in their Racer and Team kits. (Tires and wheels not included in Factory Team kits.)
- TC3's hex hubs fit industry-standard touring car wheels and tires.
- Kimbrough spur gears in kit versions.

Racer Kit bodies (unpainted):

RTR bodies (painted):



• SEE WEB SITE FOR MORE DETAILS AND HOPUPS • www.RC10.com • www.TeamAssociated.com •

FEATURE COMPARISONS

Feature	Factory Team Kit	RTR TC3	Team Kit	Racer Kit		
body	no body	prepainted	no body	unpainted	#3040 RTR TC3	\$399.00
shocks	blue anod. threaded, VCS	composite VCS Macro	blue anodized body, VCS Macro	composite VCS Macro	#3030 TC3 Team	\$369.00
wheels/tires	no wheels/tires	Pro-Line V-Rage w/Axis	Pro-Line V-Rage w/Axis	Pro-Line V-Rage w/Axis wheels	#3035 Factory Team TC3	\$499.95
driveshafts	blue anod. alloy CVD's	composite MIP CVD's	blue anodized alloy MIP CVD's	composite MIP CVD's	#3011-#3015 TC3 Racer	\$269.00
differential	carbide ball Stealth dif	carbide ball Stealth dif	carbide ball Stealth dif	carbide ball Stealth dif	RTR TC3 does not include batteries.	
turnbuckles	Factory Team blue ti	steel	Factory Team blue titanium	steel	Racer Kits do not include radio system, pinion gear, or electronics.	
bearings	PTFE-sealed bearings	rubber-sealed bearings	PTFE- & rubber-sealed bearings	rubber-sealed bearings	Team Kit does not include body, radio system, pinion gear, or electronics.	
Factory Team	\$370+ worth of FT parts	none	none	none	Factory Team Kit does not include wheels, tires, body, radio system, pinion gear, or electronics.	
					#3020 TC3 Rally Conversion Kit	\$79.99