

#1449 - Offroad Ride Height Gauge

Follow the steps below to assemble your Offroad Ride Height Gauge.

Associated Electric, Inc.

3585 Cadillac Ave.

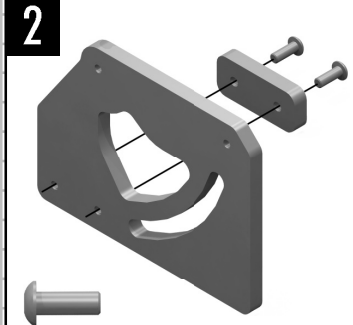
Costa Mesa, CA 92626 USA

Tel: 714.850.9340 • Fax: 714.850.1744

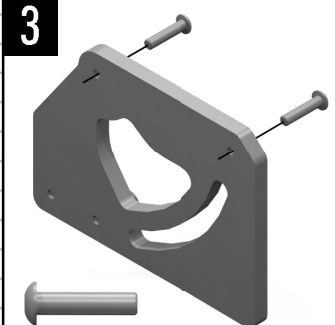
To prevent squeaking, apply a lubricant (dishwashing liquid, soap, diff lube) to screws before inserting them into plastic.



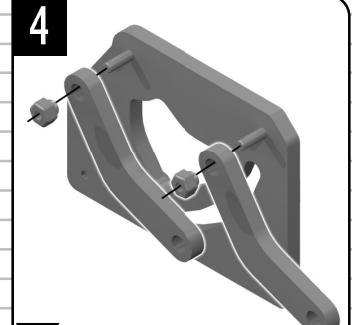
▼ remove paper backing on all pieces



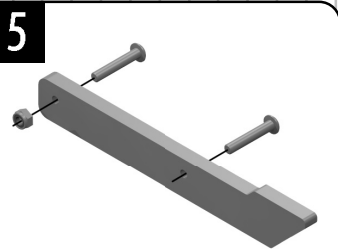
6919, qty 2
4-40 x 5/16" bhcs



6918, qty 2
4-40 x 1/2" bhcs

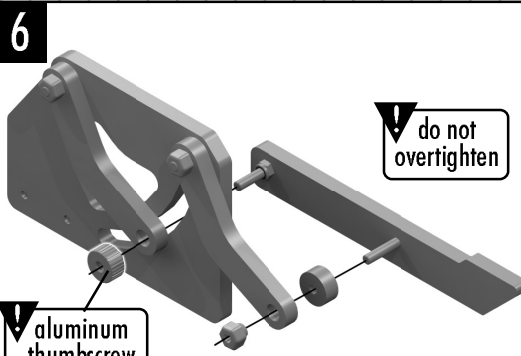


▼ do not overtighten



7633, qty 2
4-40 x 5/8" bhcs

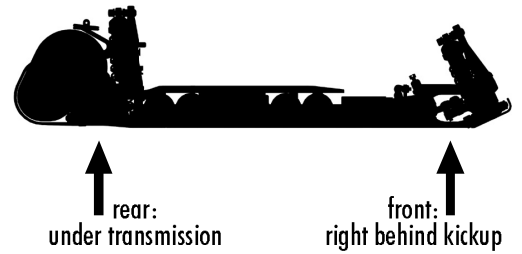
4449, qty 1
4-40 locknuts



▼ aluminum thumbscrew

▼ do not overtighten

Correct measuring point



rear:
under transmission

front:
right behind kickup