

## #21140 - Motor Mount Shim Supplement

To install your Motor Mount Shims, insert the step below into your manual.

► Page 11, Bag G, Step 3



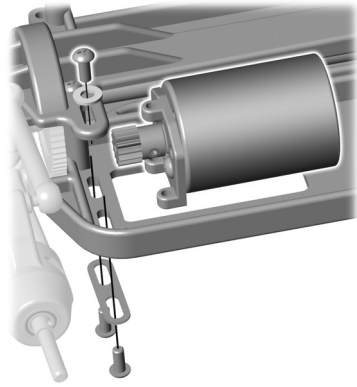
21133, qty 3  
M2.5 x 6 bhps



21139, qty 1  
M2.5 washer



21140, qty 1  
motor mount plate



**Associated Electrics, Inc.**

3585 Cadillac Ave. • Costa Mesa, CA 92626 USA • Tel: 714.850.9340 • Fax: 714.850.1744