

Monster GT Forward-Only Conversion Kit

Section 1:

Installing the Forward-Only Conversion Kit

Remove your main transmission from the truck (see Section 3 in the Monster GT User's Guide for instructions). Follow these steps to install the Forward-Only Conversion Kit into your truck.

Required Tools:

Phillips Screwdriver
(Part #6954)



Needlenose Pliers

Medium

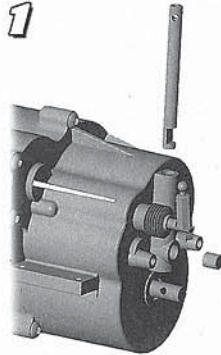
Large

New Shaft

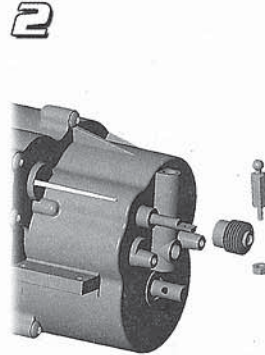
MGT Forward Only Conversion Kit (Part #25724)

Shift Fork Plug

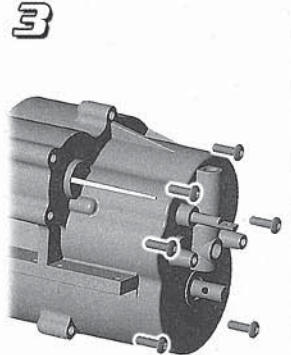
1



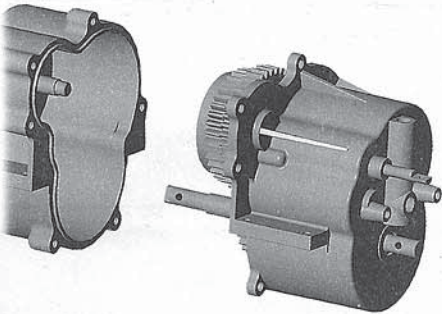
2



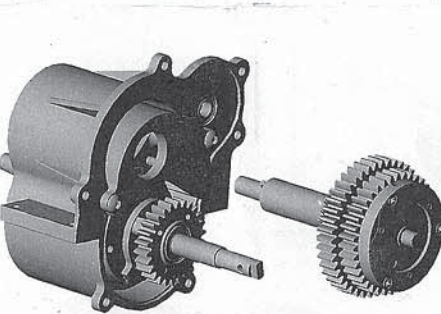
3



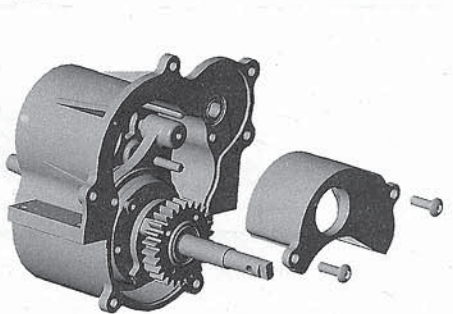
4



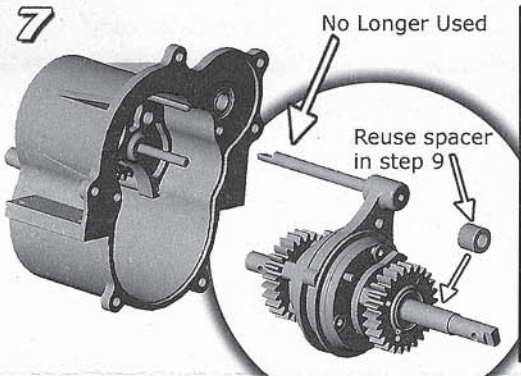
5



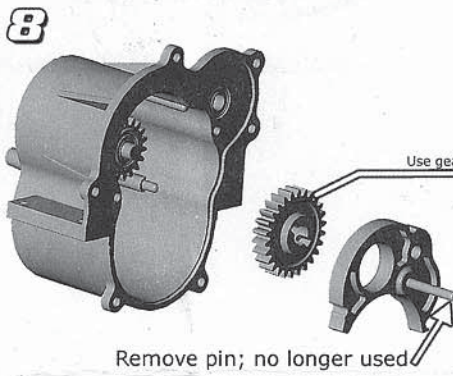
6



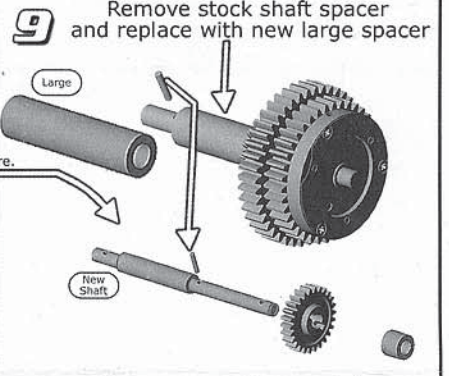
7



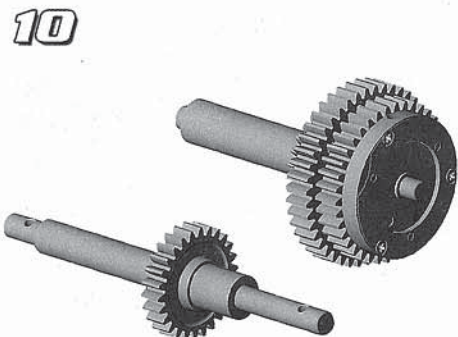
8



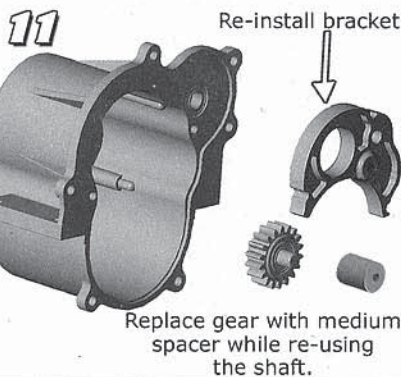
9



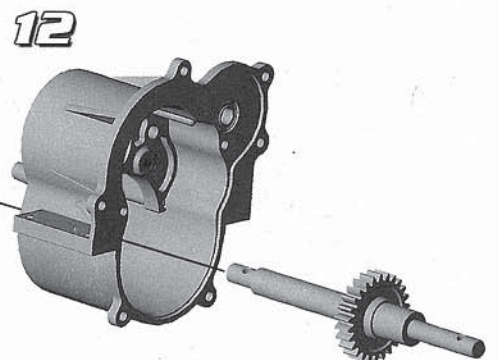
10



11



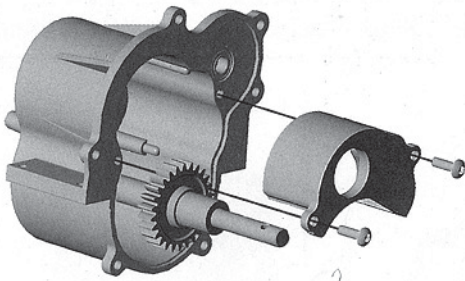
12



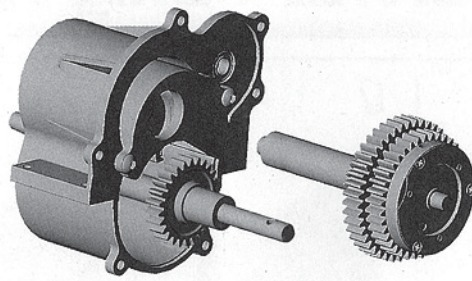
Forward-Only Conversion Kit Notes

Some parts will no longer be used after you install the Forward-Only Conversion Kit. It is advised that you keep these parts in a parts box for future use.

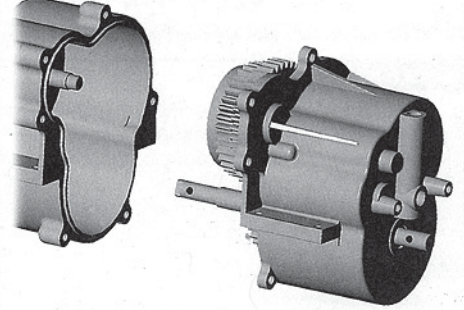
13



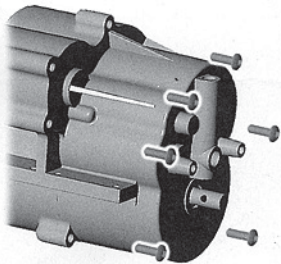
14



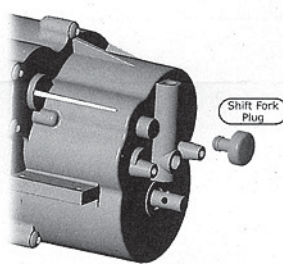
15



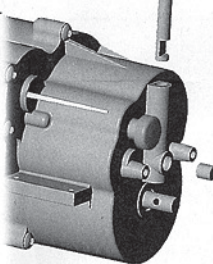
16



17



18



Section 1:

COMPLETE!

Your transmission is now ready to be installed into your Monster GT. Please see Section 3 of the Monster GT User's Guide for instructions.

Contacting Us:

Customer Support
Phone: (949) 544-7500
Fax: (949) 544-7501
Web site: <http://www.rc10.com/>



Associated Electrics, Inc.
26021 Commercentre Dr.
Lake Forest, CA
USA
<http://www.TeamAssociated.com/>