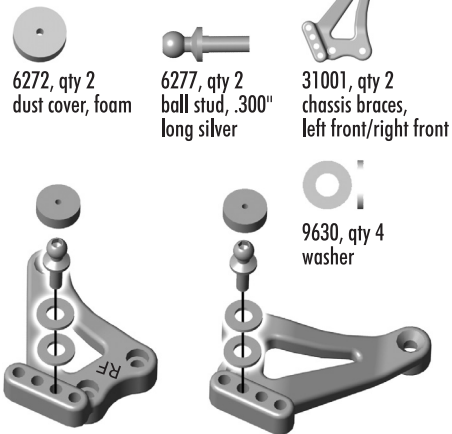


TC4 Team Setup

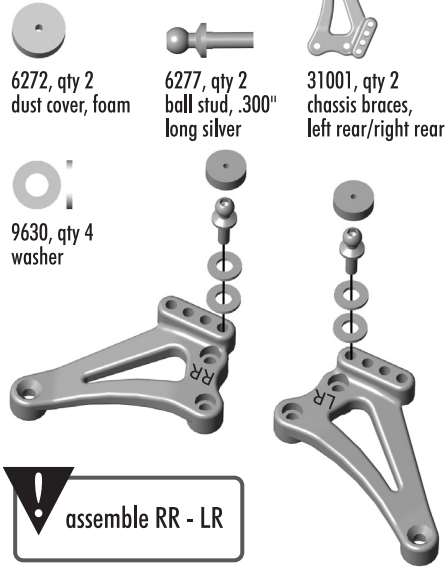
During our pre-release testing, Team Associated has updated the TC4 kit setup to improve the handling & also provide easier maintenance. Please replace Pages 10 & 11, steps 3 & 4 with the following steps:

Step 3



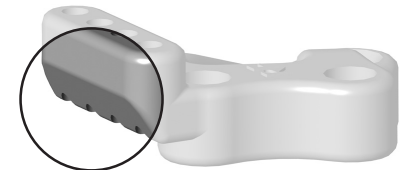
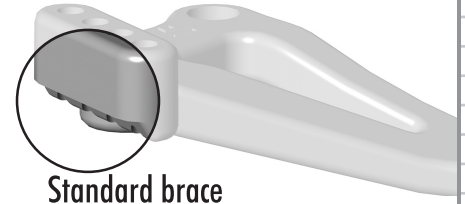
! assemble RF - LF

Step 4



! assemble RR - LR

For easier removal of your front & rear differentials, trim material away from your chassis braces as shown. Trim all four braces. It is recommended to use a Dremel (or similar tool) for this process (DO NOT USE A HOBBY KNIFE FOR THIS STEP!!).



! Do not remove any more material than shown!

Associated Electrics, Inc.

3585 Cadillac Ave.
Costa Mesa, CA 92626 USA
Tel: 714.850.9340
Fax: 714.850.1744

<http://www.TeamAssociated.com>
<http://www.RC10.com>

© 2004 Associated Electrics, Inc.

