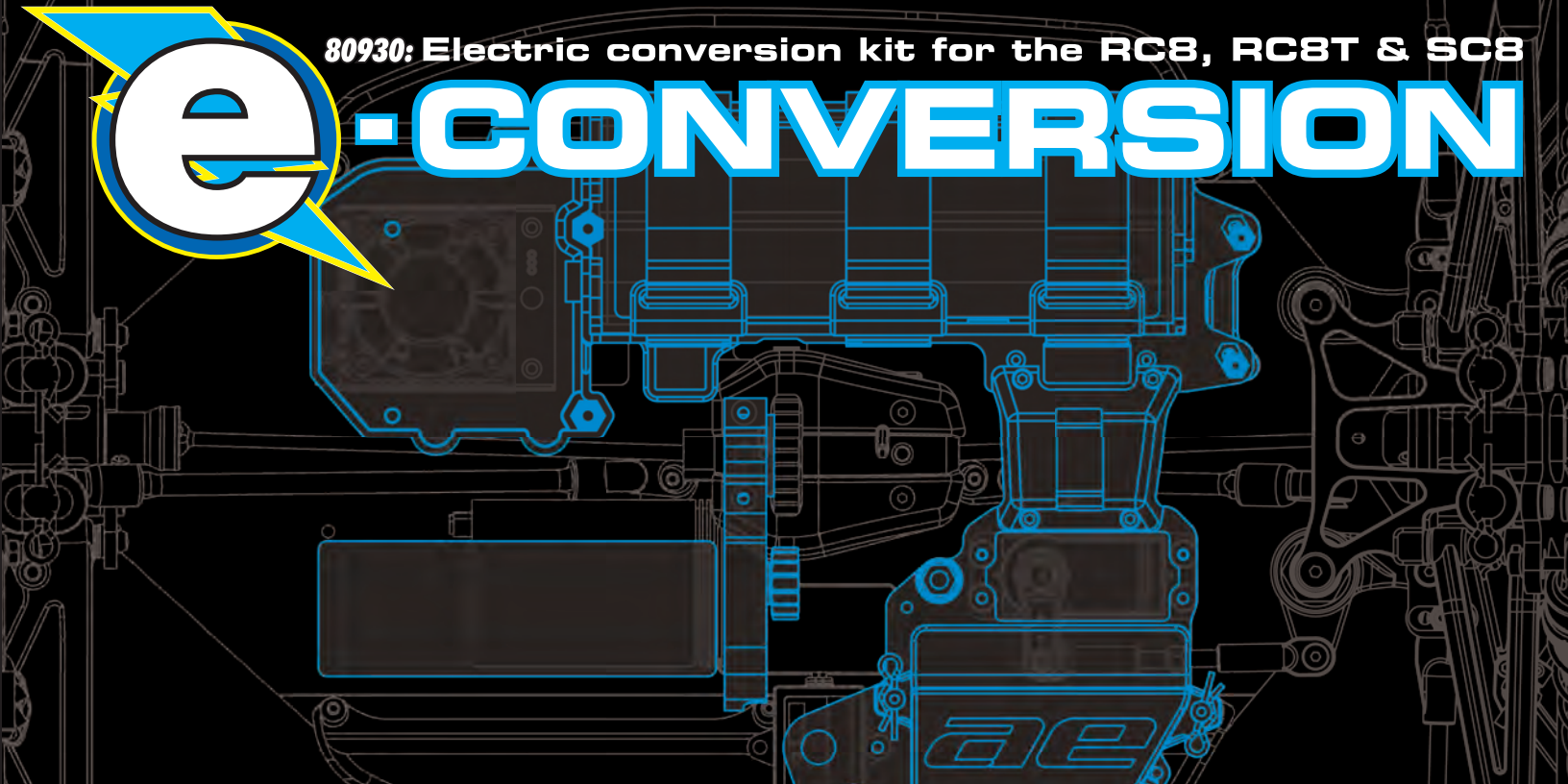


80930: Electric conversion kit for the RC8, RC8T & SC8

e

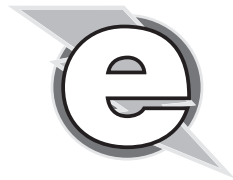
-CONVERSION



:: Introduction

Thank you for purchasing this Team Associated product. This manual contains instructions and tips for converting your Associated 1/8th scale nitro vehicle to an electric powered vehicle. Please take a moment to read through the manual and familiarize yourself with the steps. We are continually changing and improving our designs; therefore, actual parts may appear slightly different than the illustrations. New parts will be noted on supplementary sheets located in the appropriate parts bags. Check each bag for these sheets before you start to build.

Team Associated wants you to enjoy the process of building, driving, and maintaining your Associated vehicle. If you discover any problems or need help with the assembly of your model, please give us a call, or visit our web site, and we will do our very best to help you.



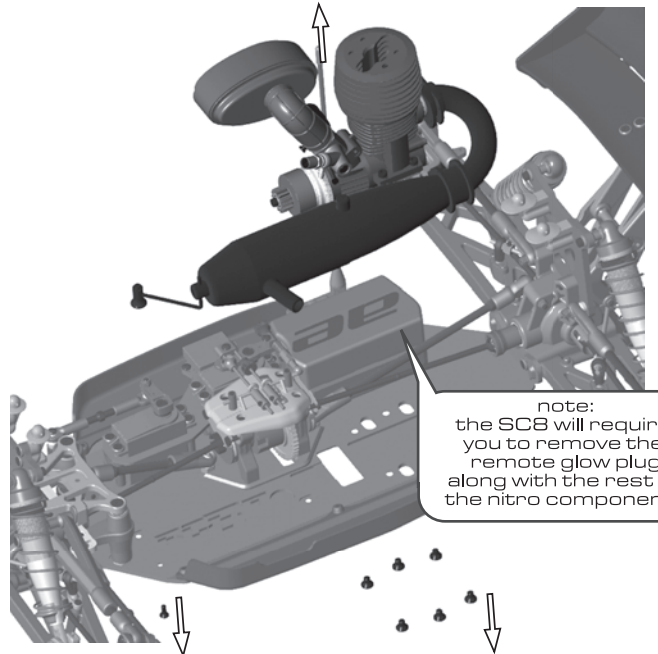
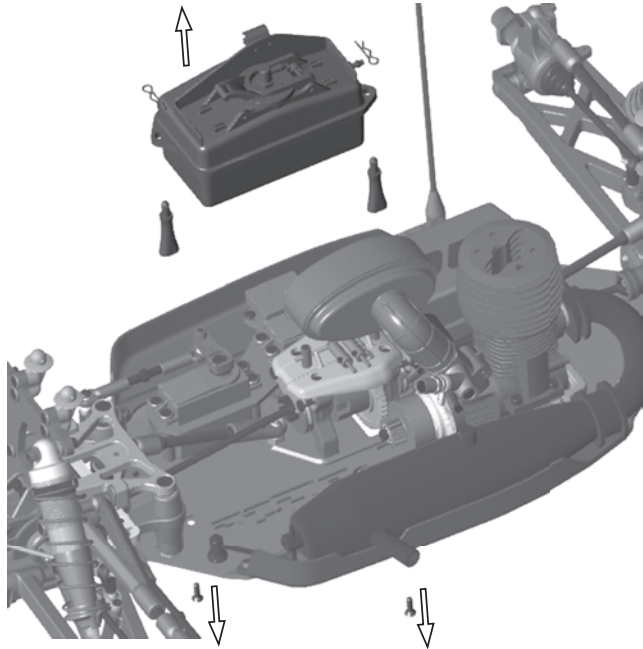
Associated Electrics, Inc.
26021 Commercentre Dr.
Lake Forest, CA 92630



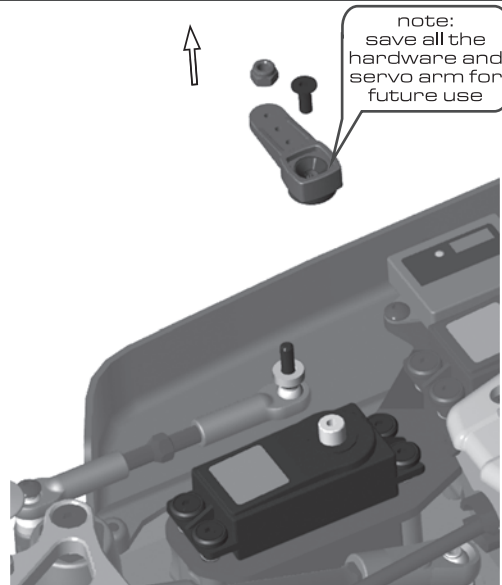
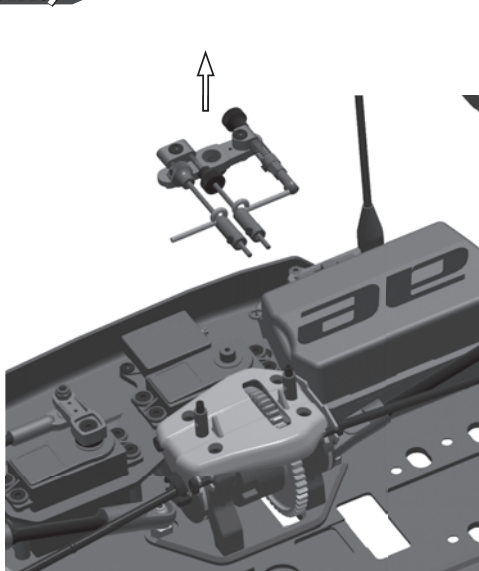
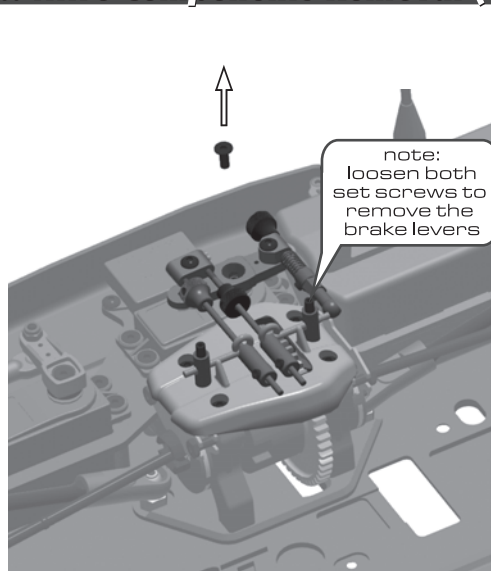
Customer Service
Tel: 949.544.7500
Fax: 949.544.7501

<http://www.TeamAssociated.com> • <http://www.RC10.com>

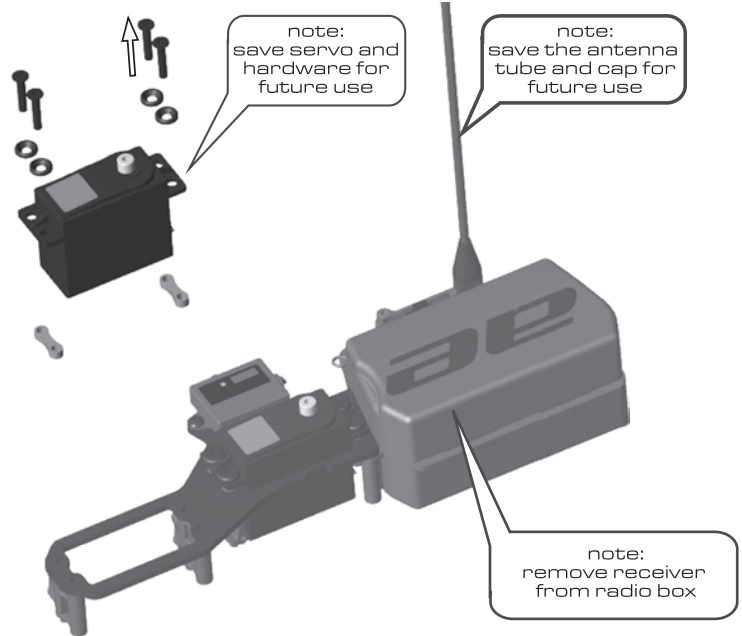
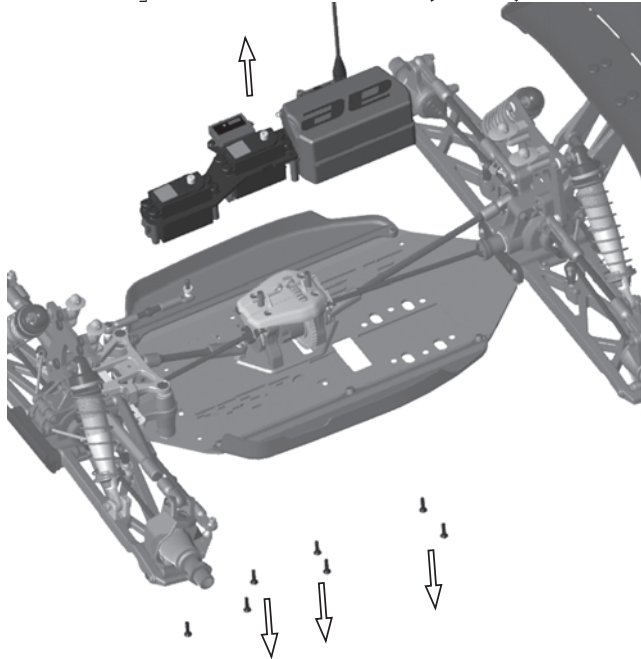
:: Nitro Components Removal



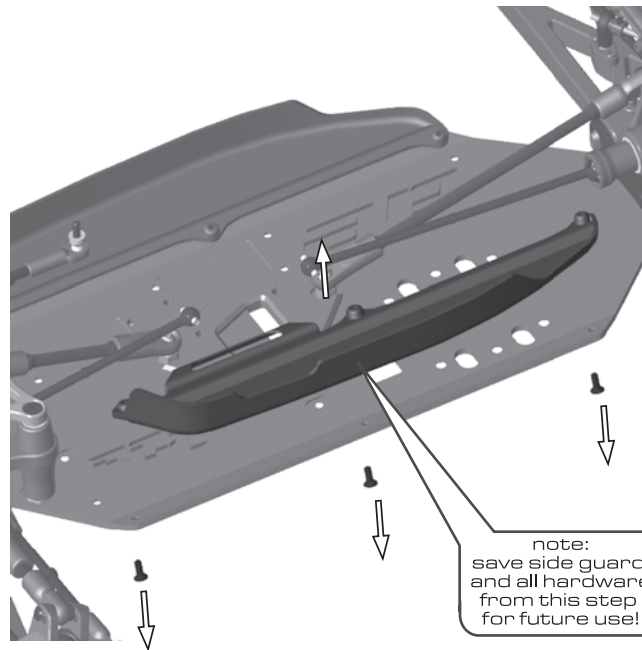
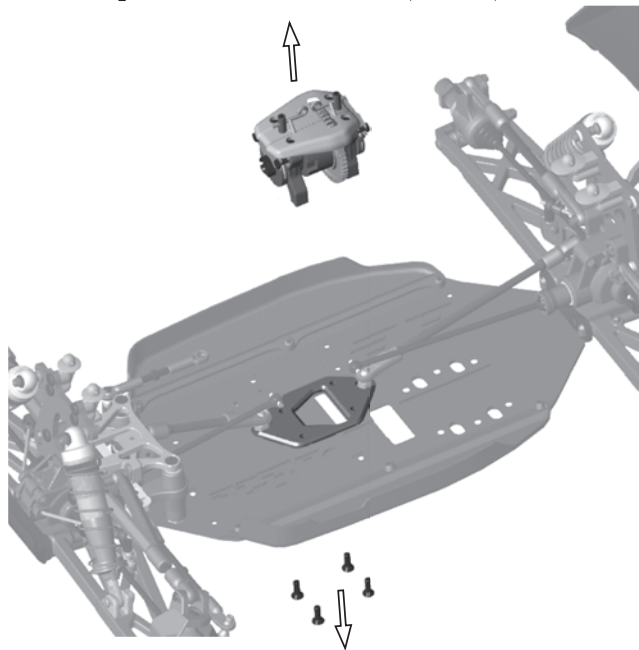
:: Nitro Components Removal (cont.)



:: Nitro Components Removal (cont.)



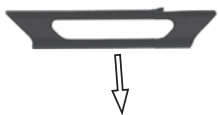
:: Nitro Components Removal (cont.)



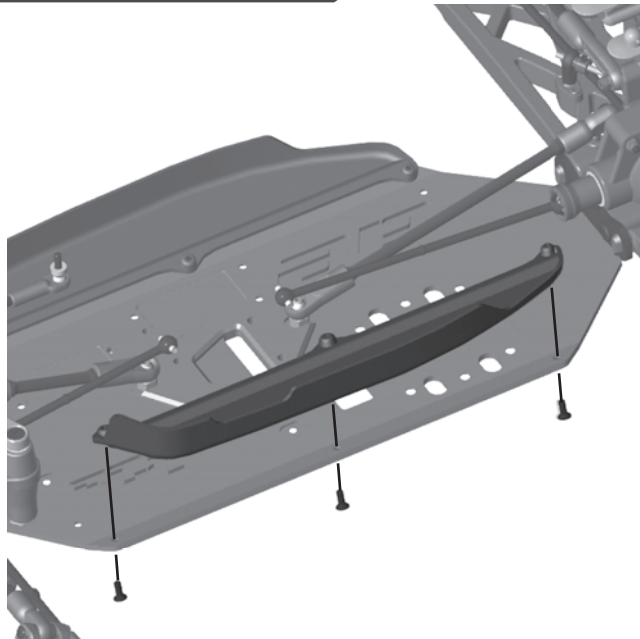
:: Nitro Components Removal (cont.)



note:
cut fuel tubing
brace off of the
left side guard



:: Side Guard Reinstall

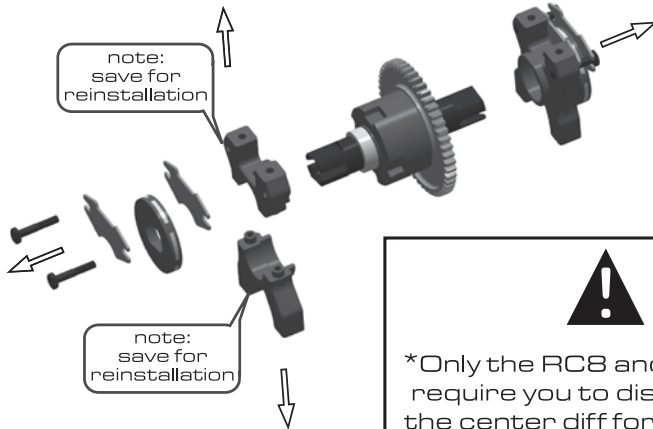


:: Center Bulkhead Tear Down

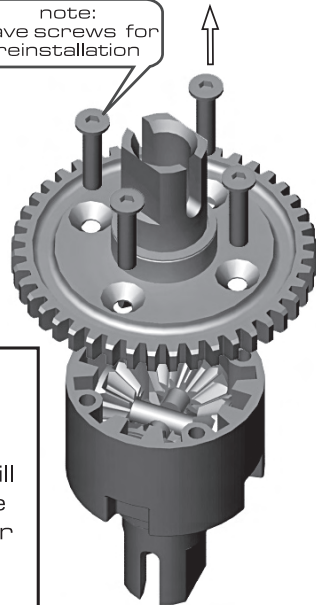
note:
save two
screws for
reinstall



note:
save for
reinstallation

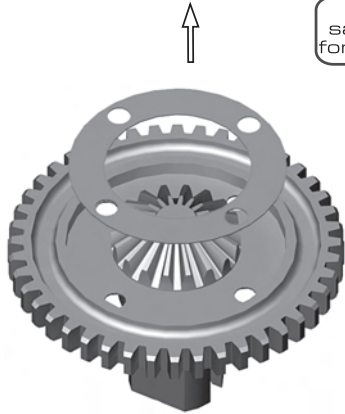


note:
save screws for
reinstallation

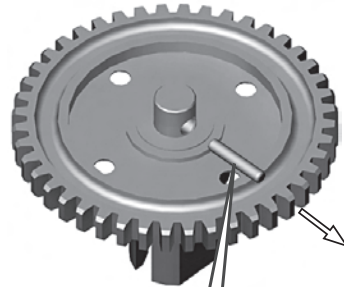
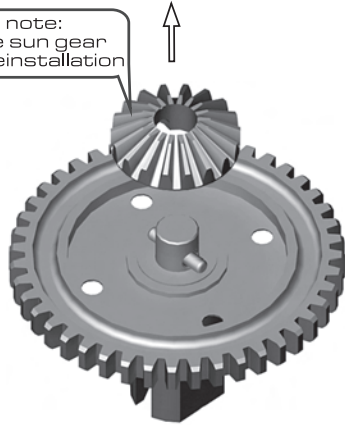


*Only the RC8 and RC8T will require you to disassemble the center diff for spur gear replacement. The SC8 is already equipped with the correct spur gear.

:: Center Bulkhead Tear Down (cont.)

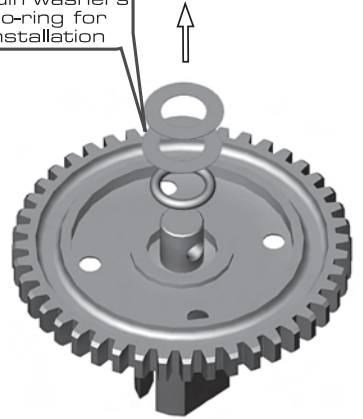


note:
save sun gear
for reinstallation



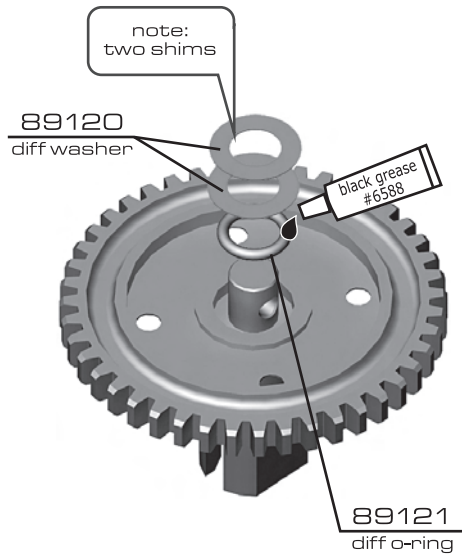
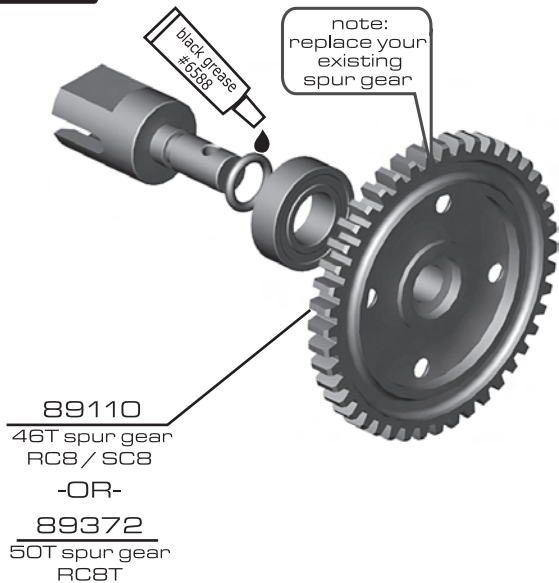
note:
save outdrive
pin for
reinstallation

note:
save diff washers
and o-ring for
reinstallation

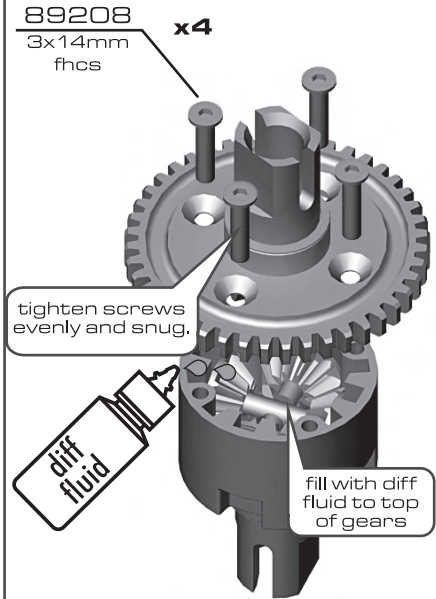
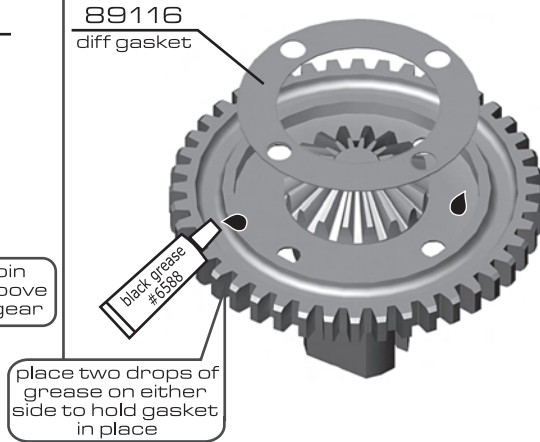
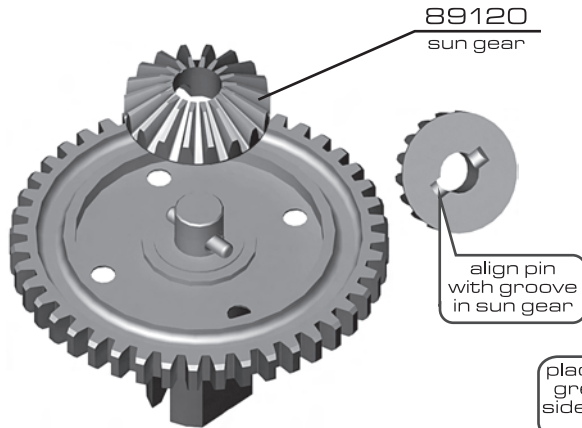


:: Center Bulkhead Rebuild

BAG A

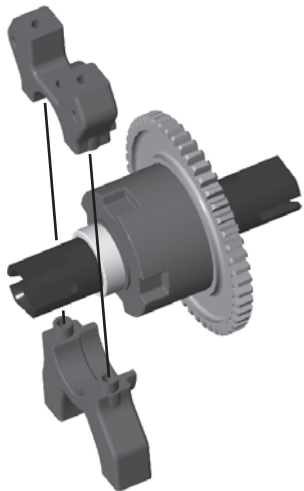


:: Center Bulkhead Rebuild (cont.)

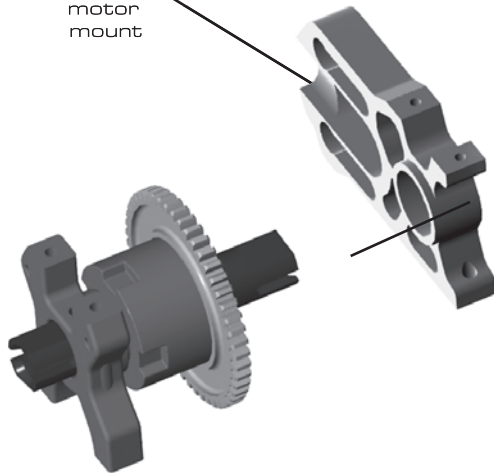


:: Center Bulkhead Rebuild (cont.)

BAG B



89501
motor
mount



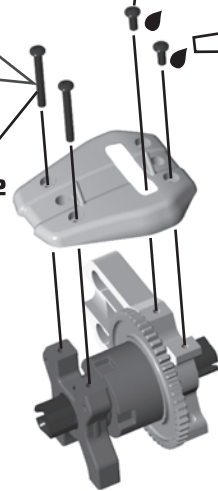
BAG B

note:
reinstall two
screws from
earlier tear
down. **x2**

89205 **x2**
3x26mm
bhcs

31532 **x2**
3x8mm
bhcs

threadlock
#1596

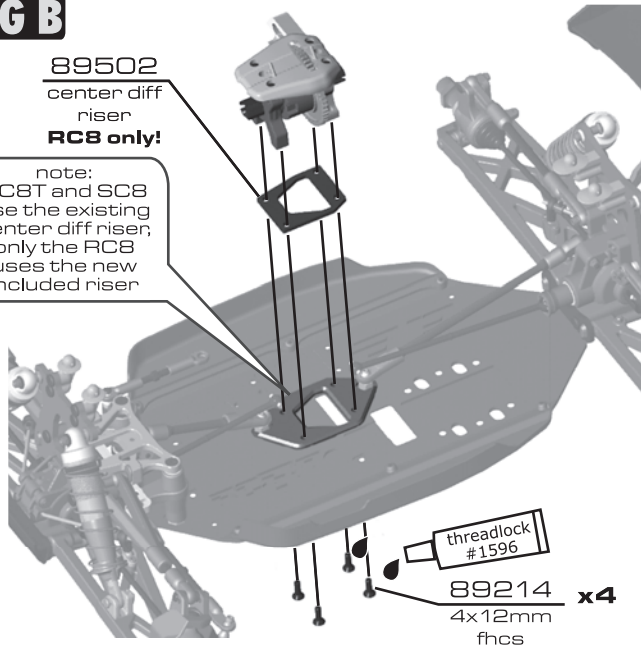


:: Center Bulkhead Rebuild (cont.)

BAG B

89502
center diff
riser
RC8 only!

note:
RC8T and SC8
use the existing
center diff riser,
only the RC8
uses the new
included riser



:: Battery / Radio Tray Build

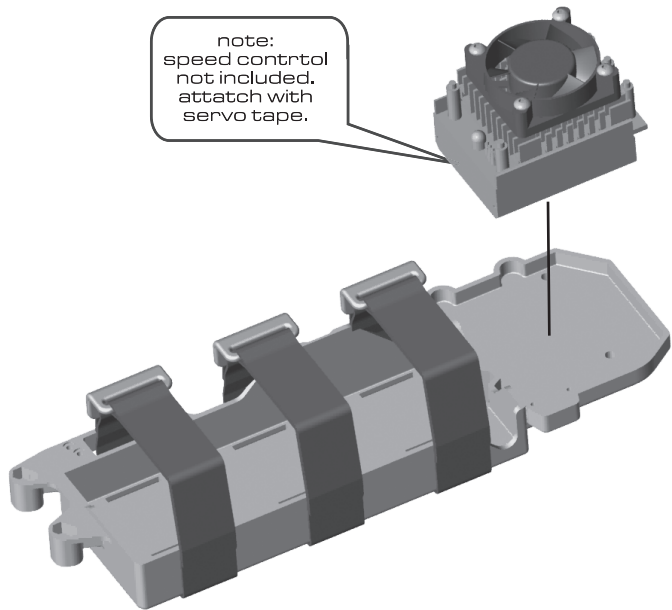
BAG C & D

89506 x3
velcro
battery straps

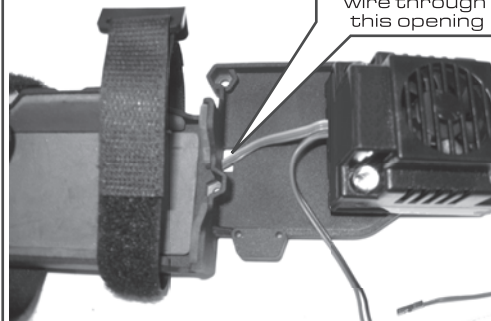


:: Battery / Radio Tray Build (cont.)

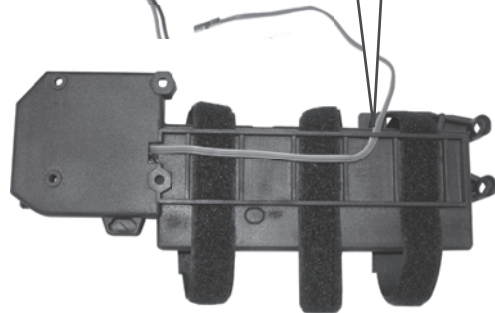
note:
speed control
not included.
attach with
servo tape.



note:
route the speed
control receiver
wire through
this opening



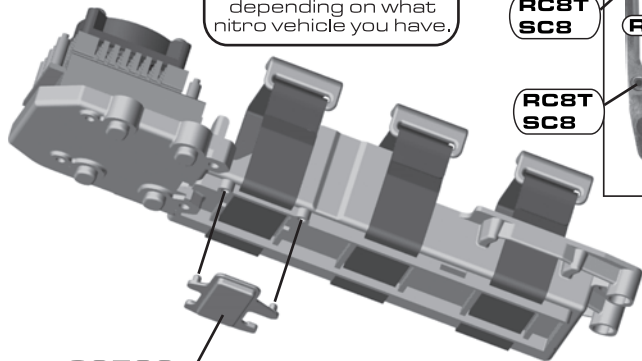
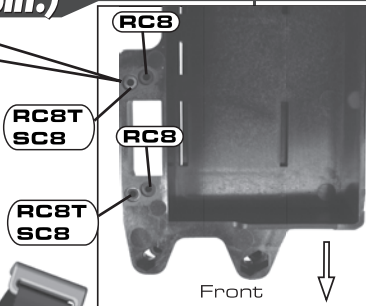
note:
route the speed
control receiver
wire through
this opening



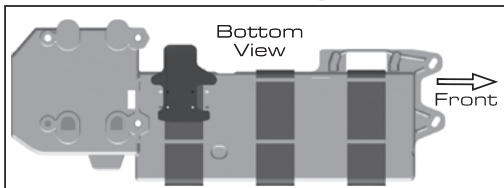
:: Battery / Radio Tray Build (cont.)

BAG C & D

note:
there are two
different positions
for the bridge screws
depending on what
nitro vehicle you have.



89509
flywheel
opening cover



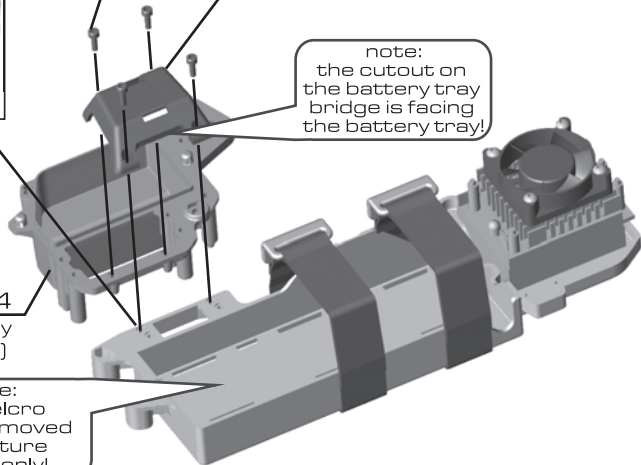
89222 **x4**
2.5x8mm
shcs

89509
battery tray
bridge

note:
the cutout on
the battery tray
bridge is facing
the battery tray!

89504
radio tray
(bottom)

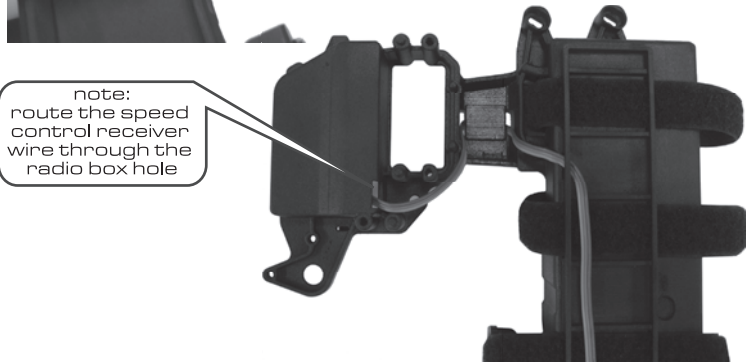
note:
end velcro
strap removed
for picture
clarity only!



:: Battery / Radio Tray Build (cont.)

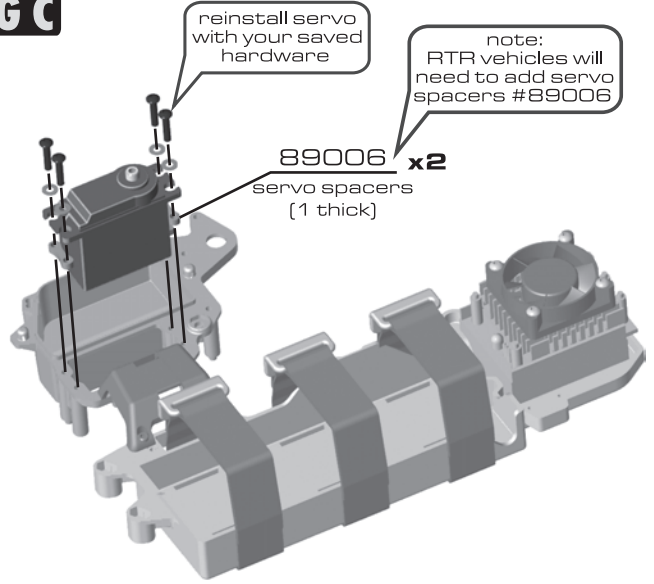


note:
route the speed
control receiver
wire up and
over the bridge



note:
route the speed
control receiver
wire through the
radio box hole

BAG C



reinstall servo
with your saved
hardware

note:
RTR vehicles will
need to add servo
spacers #89006

89006 x2

servo spacers
(1 thick)

:: Battery / Radio Tray Build (cont.)



note:
route the servo
wire to the
receiver through
this opening

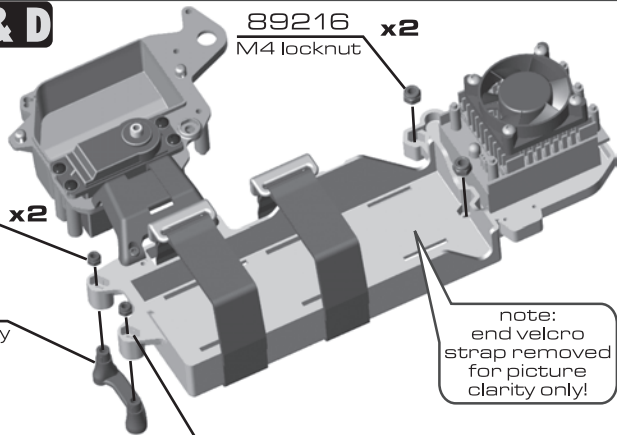
optional
transponder
mount location

BAG C & D

25215 x2
M3 locknut

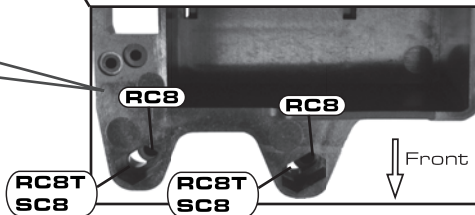
89509
battery tray
post

89216 x2
M4 locknut



note:
end velcro
strap removed
for picture
clarity only!

note:
there are two
different positions
for the locknuts
depending on what
nitro vehicle you have.



RC8

RC8

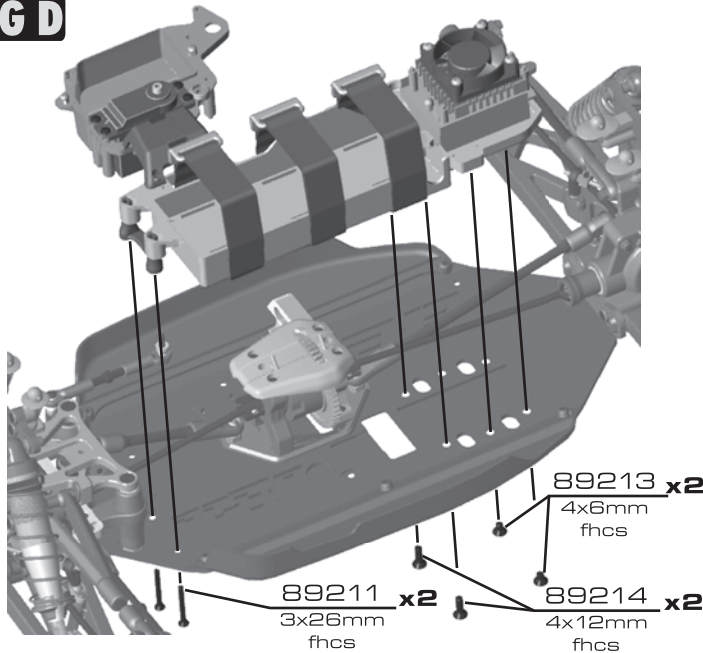
RC8T
SC8

RC8T
SC8

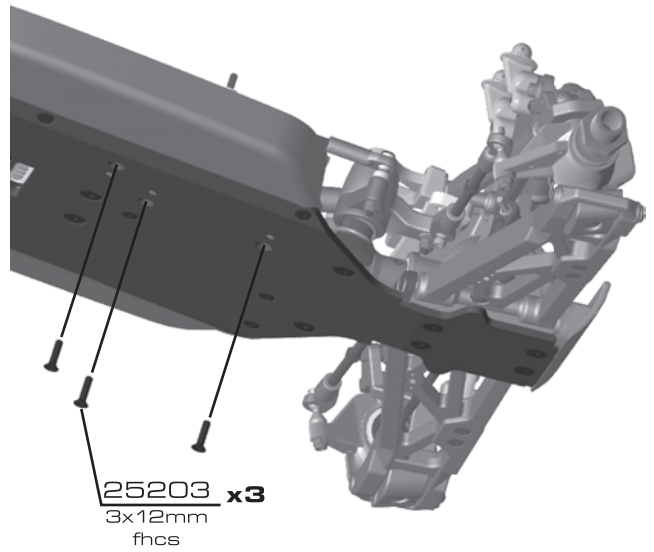
Front
↓

:: Battery / Radio Tray Install (cont.)

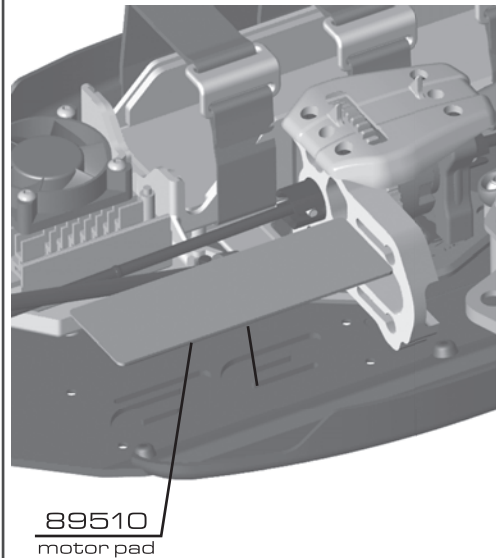
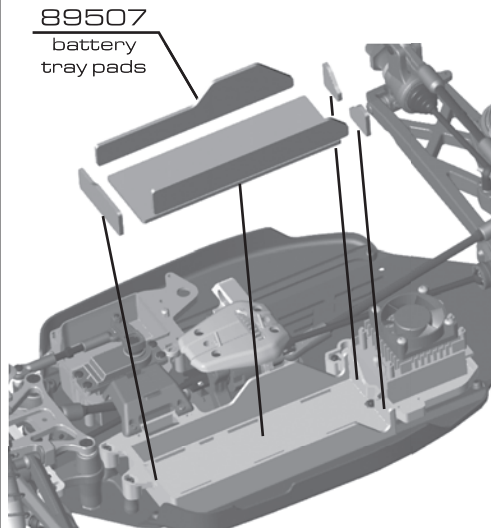
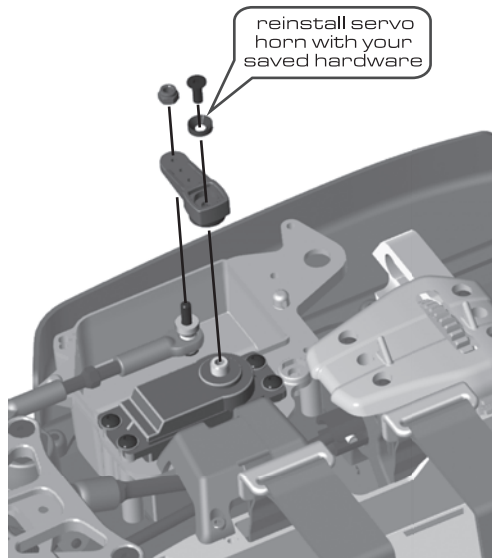
BAG D



BAG D



:: Battery / Radio Tray Install (cont.)



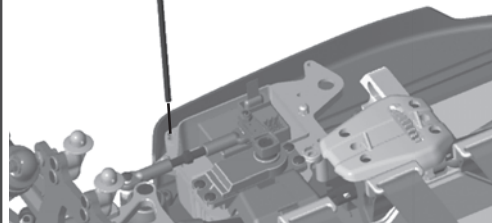
:: Battery / Radio Tray Install (cont.)



note:
plug in your speed
control and servo
to your receiver



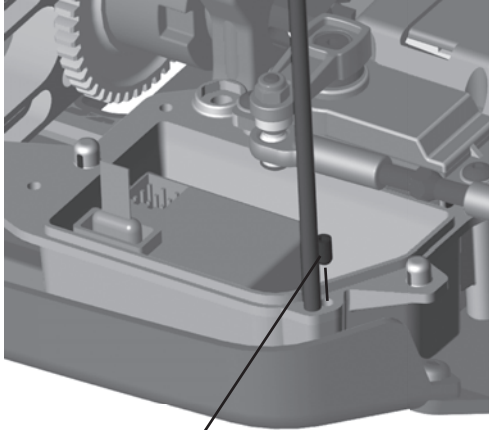
note:
route your receiver's
antenna wire through
the slot in the radio
tray, and through
your antenna tube.



reinstall your
antenna tube
and cap into
the new radio
tray

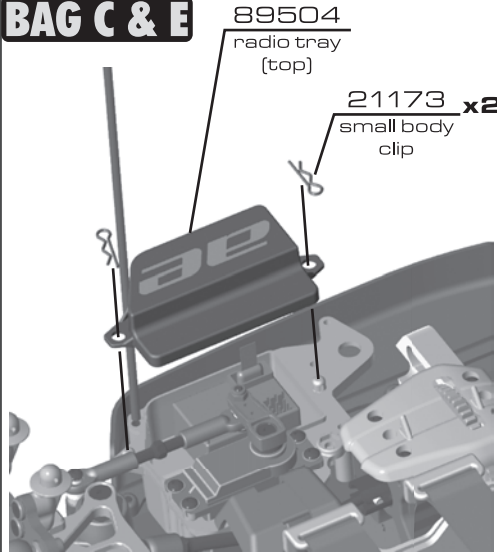
:: Battery / Radio Tray Install (cont.)

BAG E



89219
3x5mm
set screw

BAG C & E

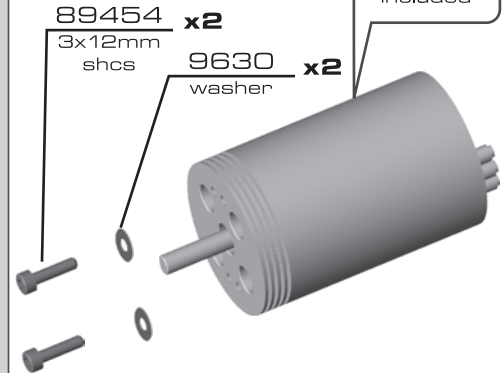


89504
radio tray
(top)

21173 x2
small body
clip

:: Motor Install

BAG E

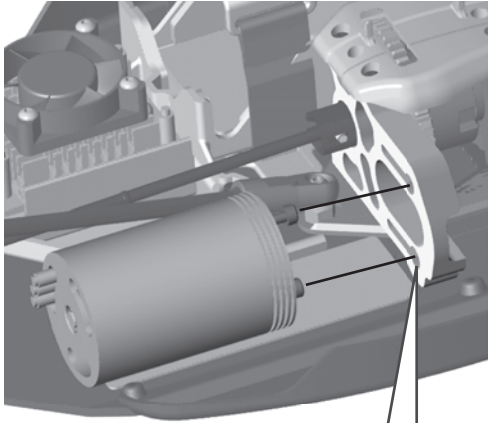


89454 x2
3x12mm
shcs

9630 x2
washer

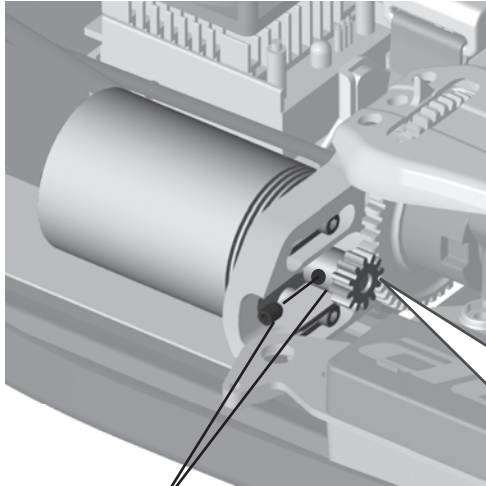
motor not
included

:: Motor Install (cont.)



note:
leave motor screws
and washers sticking
out enough to key into
the motor mounting
plate

BAG E



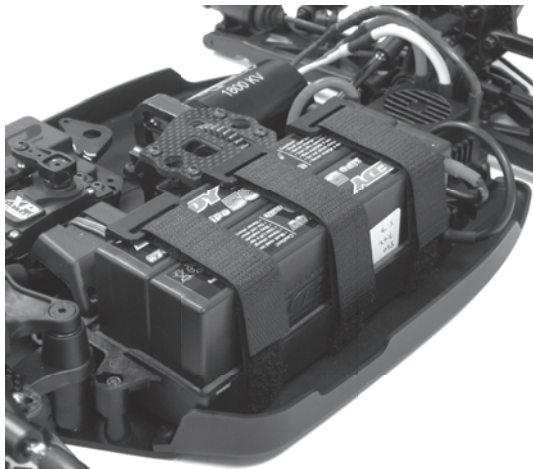
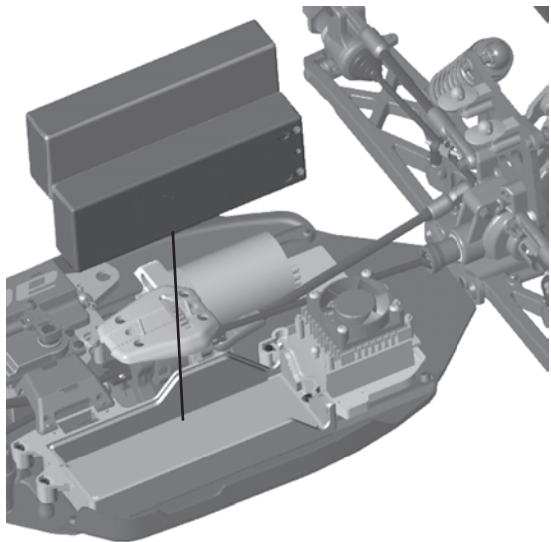
89515 -OR- 89516
15T pinion and set screw RC8 16T pinion and set screw RC8, SC8

note:
set gear mesh
and tighten motor
to the bulkhead
with the included
L wrench.



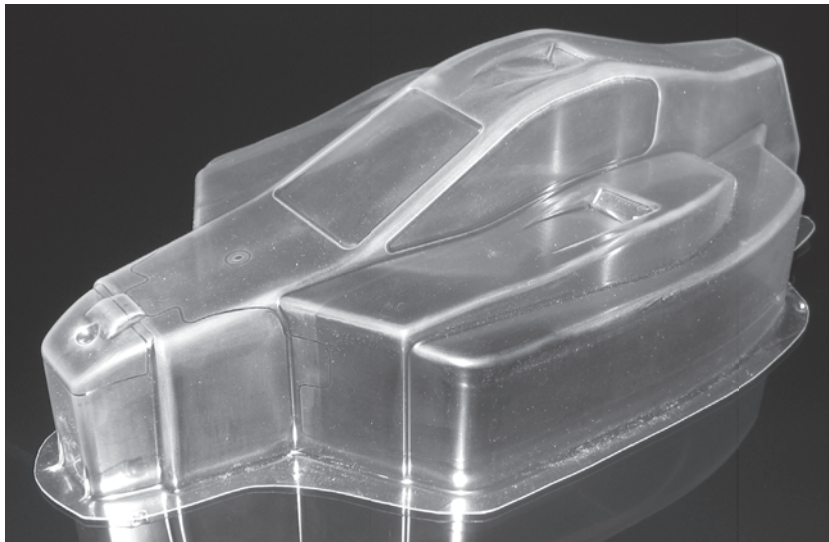
*Follow your motor
manufacturer's
recommendations
for gearing.

:: Battery Install



*Follow your battery manufacturer's recommendations for wiring setups.

:: Body Install



* The RC8 conversion will require the optional RC8e body. The new body allows for battery and speed control clearance.

Conversion Kit / Hardware

25

6727	SERVO TAPE STRIPS	2	89454	3X12MM SHCS	10
7337	STEEL WASHER	4	89501	RC8E MOTOR MOUNT BULKHEAD	1
25203	3X12MM FHCS	20	89502	RC8E CENTER DIFF RISER (RC8 ONLY)	1
25215	M3 LOCKNUT	20	89504	RC8E RADIO TRAY (TOP AND BOTTOM)	Set
25223	4X3MM SET SCREW	20	89505	RC8E BATTERY TRAY	1
31510	2X4MM BHCS	6	89506	RC8E VELCRO BATTERY STRAPS	3
31532	3X8MM BHCS	6	89507	RC8E BATTERY TRAY PADS	Set
80930	1/8 SCALE ELECTRIC CONVERSION KIT (RC8, RC8T, SC8)	Set	89509	RC8E BATTERY TRAY ACCESSORIES (FLYWHEEL COVER, BATTERY TRAY POST, BRIDGE)	Set
89006	SERVO SPACERS	Set	89510	RC8E MOTOR PAD	1
89109	SPUR GEAR 44T (INCLUDES DIFF GASKET)	1	89512	12T PINION (INCLUDES 4X3MM SET SCREW)	1
89110	SPUR GEAR 46T (INCLUDES DIFF GASKET)	1	89513	13T PINION (INCLUDES 4X3MM SET SCREW)	1
89116	DIFF GASKET	4	89514	14T PINION (INCLUDES 4X3MM SET SCREW)	1
89205	3X26MM BHCS	10	89515	15T PINION (INCLUDES 4X3MM SET SCREW)	1
89211	3X26MM FHCS	10	89516	16T PINION (INCLUDES 4X3MM SET SCREW)	1
89213	4X6MM FHCS	10	89517	17T PINION (INCLUDES 4X3MM SET SCREW)	1
89214	4X12MM FHCS	10	89519	PLASTIC SPUR GEAR 46T (INCLUDES DIFF GASKET)	1
89216	M4 LOCKNUT	4	89520	PLASTIC SPUR GEAR 48T(INCLUDES DIFF GASKET)	1
89219	3X5MM SET SCREW	10	89521	PLASTIC SPUR GEAR 50T (INCLUDES DIFF GASKET)	1
89222	2.5X8MM SHCS	10	89523	RC8E BUGGY BODY (INCLUDES WINDOW MASK)	1
89372	SPUR GEAR 50T (INCLUDES DIFF GASKET)	1			

29107	METAL GEAR SET, S1903/S1903MG	1	29166	DS1313 PERFORMANCE DIGITAL SERVO	1
29108	AM TX + RX CRYSTAL SET, 26.995	Set	29167	DS1015 HI-TORQUE/HI-SPEED DIGITAL SERVO	1
29109	AM TX + RX CRYSTAL SET, 27.045	Set	29170	FM TX + RX CRYSTAL SET, 26.995	Set
29110	AM TX + RX CRYSTAL SET, 27.095	Set	29171	FM TX + RX CRYSTAL SET, 27.045	Set
29111	AM TX + RX CRYSTAL SET, 27.145	Set	29172	FM TX + RX CRYSTAL SET, 27.095	Set
29112	AM TX + RX CRYSTAL SET, 27.195	Set	29173	FM TX + RX CRYSTAL SET, 27.145	Set
29113	AM TX + RX CRYSTAL SET, 27.255	Set	29174	FM TX + RX CRYSTAL SET, 27.195	Set
29122	RECEIVER, AM 27MHZ 2CH, TR202A	1	29175	FM TX + RX CRYSTAL SET, 27.255	Set
29123	RECEIVER, AM 27MHZ 4CH, TR402A	1	29176	FM TX + RX CRYSTAL SET, 75.410	Set
29124	S1903 STANDARD SERVO	1	29178	FM TX + RX CRYSTAL SET, 75.450	Set
29125	S1903MG STANDARD SERVO, METAL GEAR	1	29187	FM TX + RX CRYSTAL SET, 75.630	Set
29126	S2008MG HIGH TORQUE SERVO, METAL GEAR	Set	29189	FM TX + RX CRYSTAL SET, 75.670	Set
29130	MICRO RECEIVER, AM 27 MHZ 2CH, TR204A	1	29200	FM TX + RX CRYSTAL SET, 75.890	Set
29158	XP3D TRANSMITTER ONLY	1	29202	FM TX + RX CRYSTAL SET, 75.930	Set
29160	TRANSMITTER RF MODULE, AM 27MHZ	1	29206	RECEIVER, AM 27MHZ 4CH, TR405A	1
29161	TRANSMITTER RF MODULE, FM 27MHZ	1	29209	GEAR SET, DS1313 DIGITAL SERVO	Set
29162	TRANSMITTER RF MODULE, FM 75MHZ	1	29210	GEAR SET, DS1015 DIGITAL SERVO	Set
29164	RECEIVER, FM 27MHZ 3CH, TR301F	1	29211	SERVO CASE, DS1313/DS1015	1
29165	RECEIVER, FM 75MHZ 3CH, TR301F	1	29212	ACCESSORY PACK	Set

654	4.0MM CONNECTORS (2M, 2F)	1
655	4.0MM CONNECTORS (2M, 10F)	1
656	4.0MM CONNECTORS (10F)	1
657	4.0MM CONNECTORS (100F)	1
658	4.0MM CONNECTORS (10M)	1
659	4.0MM CONNECTORS (30M)	1
660	3.5MM CONNECTORS (3M, 3F)	1
661	3.5MM CONNECTORS (10F)	1
662	3.5MM CONNECTORS (100F)	1
663	3.5MM CONNECTORS (10M)	1
664	3.5MM CONNECTORS (30M)	1
703	LIPO 5000MAH 7.4V 20C	1
705	LIPO 3200MAH 7.4V 20C	1
709	LIPO 5000MAH 7.4V 35C	1

Apparel

SP58*	AE LOGO BLACK T-SHIRT (M, L, XL, XXL, XXXL, XXXXL)	1
SP59*	AE LOGO BLUE T-SHIRT (M, L, XL, XXL, XXXL, XXXXL)	1
SP60*	AE HOODED SWEATSHIRT (S, M, L, XL, XXL)	1
SP100	1/8 INNER AND OUTER BOXES ONLY	Set
SP101	1/8 INNER BOXES ONLY	3

SP410*	AE FLEXFIT HATS BLACK (SP410M FITS S/M, SP410L FITS L/XL, SP410XXL FITS XXL/XXXL)	1
SP415	1/8 CAR CARRIER BAG ONLY	1

Legend:

BHCS - Button Head Cap Screw

FHCS - Flat Head Cap Screw

SHCS - Socket Head Cap Screw

* - Replace (*) with size in parentheses



Associated Electrics, Inc.
 26021 Commercentre Drive
 Lake Forest, CA 92630-8853

call: (949) 544-7500

fax: (949) 544-7501

www.TeamAssociated.com

www.RC10.com



Associated Electrics, Inc.
26021 Commercentre Dr.
Lake Forest, CA 92630 USA
<http://www.TeamAssociated.com>
<http://www.RC10.com>