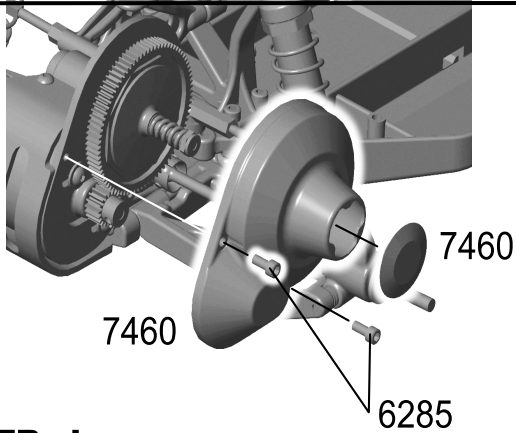


SUPPLEMENTARY SHEET



8 B4 RTR shown

For the B4 RTR and T4 RTR

We have substituted your gear cover and screws for a different cover and screws for this RTR.

Ignore the instructions on page 17, step 8, and instead follow the instructions at left.

#6285, Socket Head Cap Screw, 4-40 x 1/4", 6, \$2.00

#7460, Molded Gear Cover, black (in RTR), 1, \$3.99

#7460, Molded Gear Cover, clear (optional), 1, \$3.99