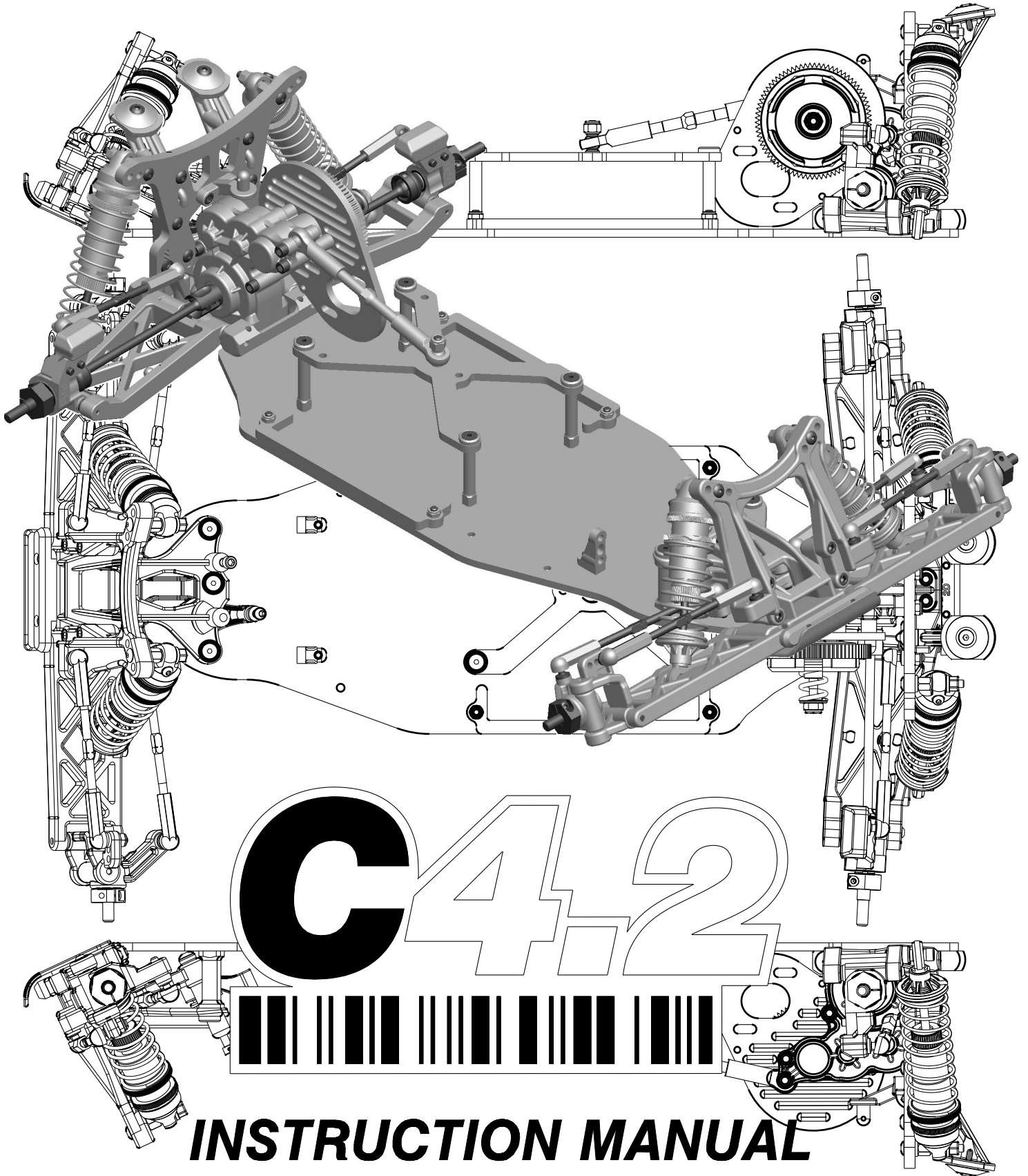
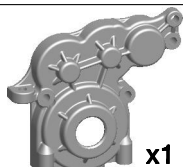


CENTRO

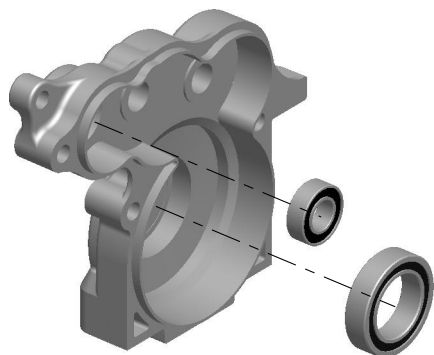


1

x1

x1

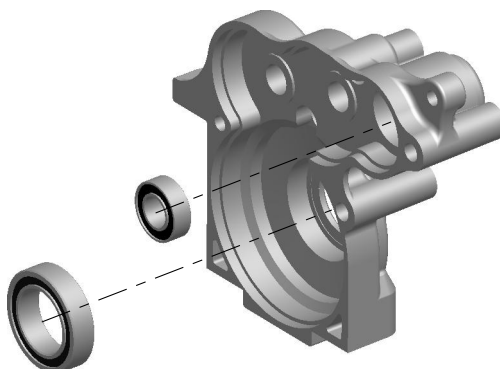
x1

**2**

x1

x1

x1

**3**

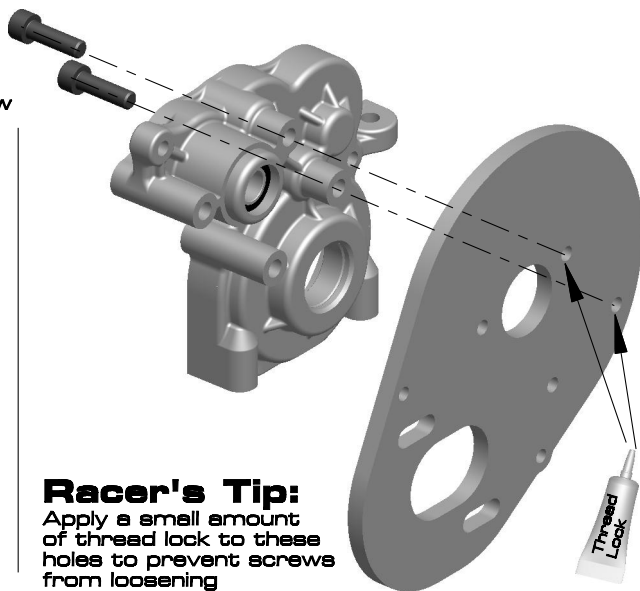
x2

AS6861
4-40 x 3/8 SH Screw



x1

AS1770
Motor Plate



Racer's Tip:
Apply a small amount
of thread lock to these
holes to prevent screws
from loosening

4**x2**

x1



x2

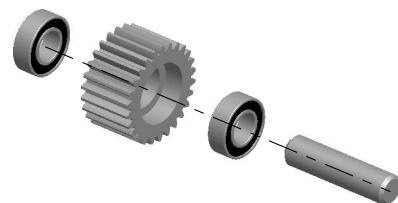


x1

AS9360
Idler Gear

FTBB01
Ball Bearing
3/16 x 3/8

AS9361
Idler Gear
Shaft

**5**

x1

AS9601
Top Shaft



x1

AS9602
Top Shaft
Spacer

**6**

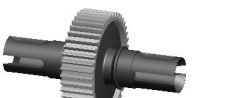
x1

AS6925
4-40 x 1/2 SH Screw



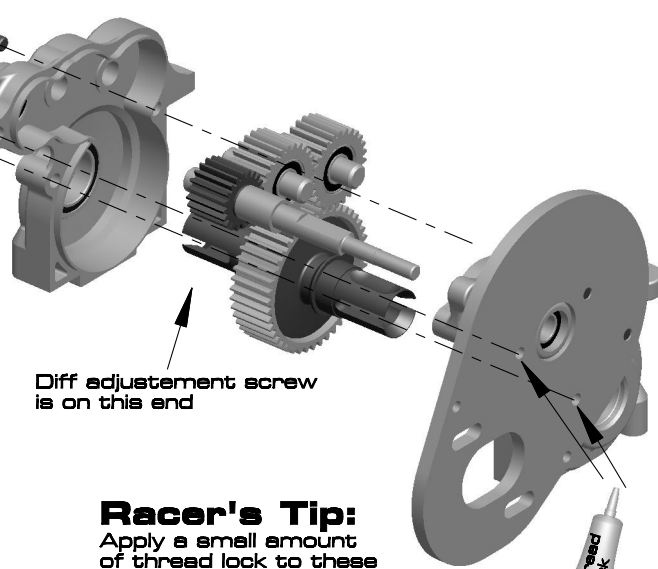
x2

AS6928
4-40 x 1 SH Screw



x1

AS9853
B4.1/B4.2/SC10 Ball Diff.



Diff adjustment screw
is on this end

Racer's Tip:
Apply a small amount
of thread lock to these
holes to prevent screws
from loosening

7



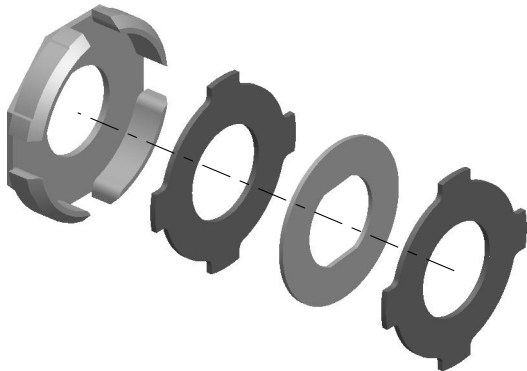
x1

AS91176
VTS Slipper
Housing

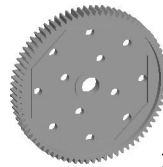
x2

AS91177
VTS Slipper
Pads

x1

AS91178
VTS Slipper
Plate

8



x1

AS9651
Spur Gear, 81T

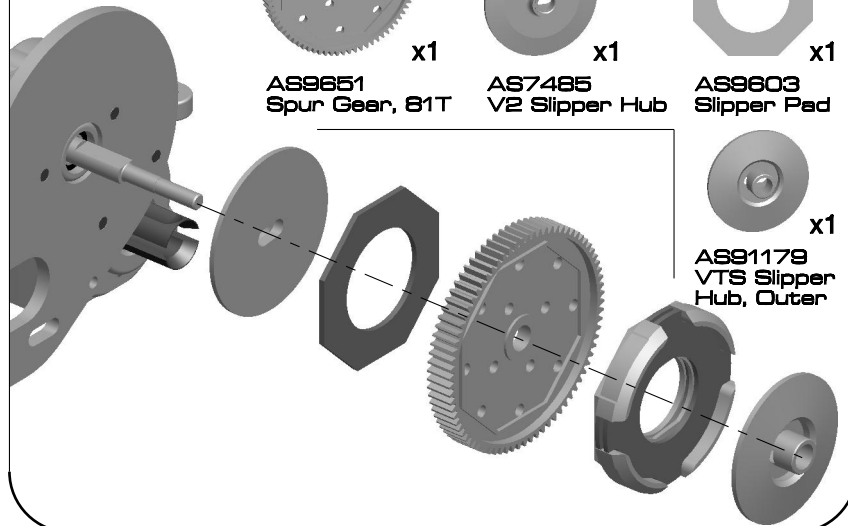
x1

AS7485
V2 Slipper Hub

x1

AS9603
Slipper Pad

x1

AS91179
VTS Slipper
Hub, Outer

9

◀1:1▶



x1

AS9739
Slipper Spring

◀1:1▶



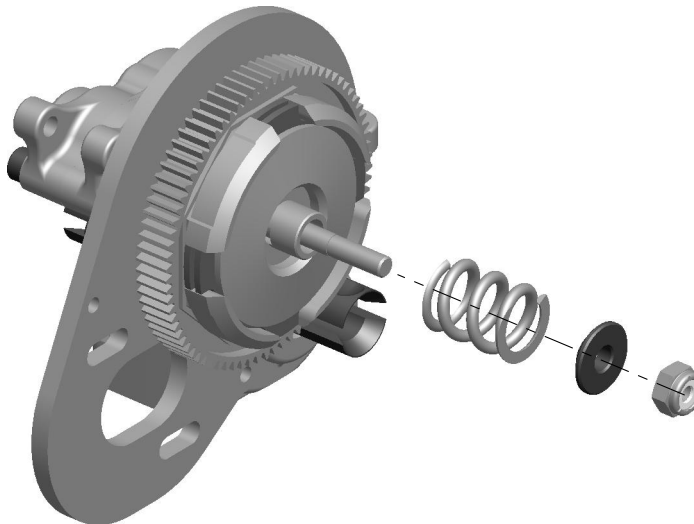
x1

AS7486
V2 Slipper
Washer

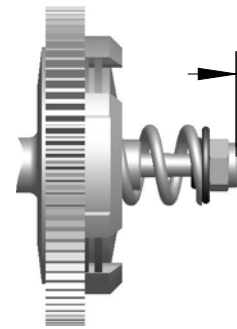
◀1:1▶



x1

AS6628
5-40 Locknut**Racer's Tip:**

Turn the nut on the shaft so that the end of the top shaft is even with the outside of the nut. At the track, tighten or loosen the nut in 1/8 turn increments until you hear a faint slipping sound for 1-2 feet on takeoffs. Recheck after initial run.



Set Nut
Flush With
Top Shaft

10

◀1:1▶



x1

C0075
M4 x 50mm Turnbuckle

◀1:1▶



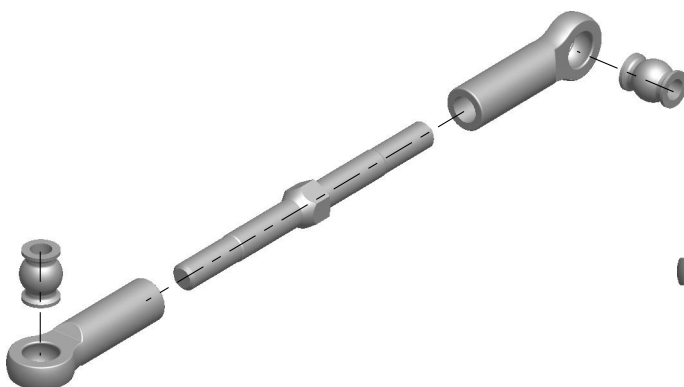
x2

AS25568
Bell Joint

◀1:1▶

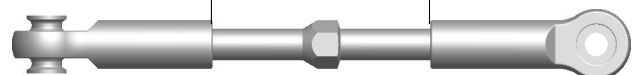


x2

AS25568
Bell

◀1:1▶

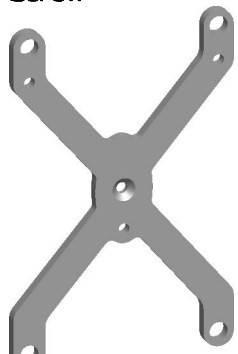
28.8mm



11

◀1:1▶

FAST117F
M3 x 15 FHCS
Screw



C0066
Battery X Brace

◀1:1▶

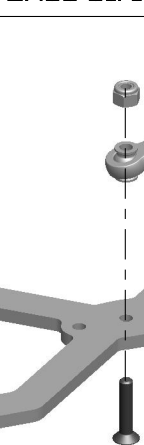
FASTM3
M3 Locknut



x1

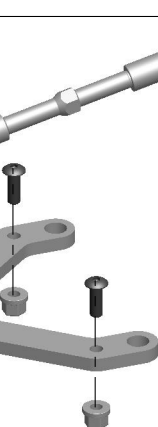
◀1:1▶

AS68919
4-40 x 5/16
BHCS Screw



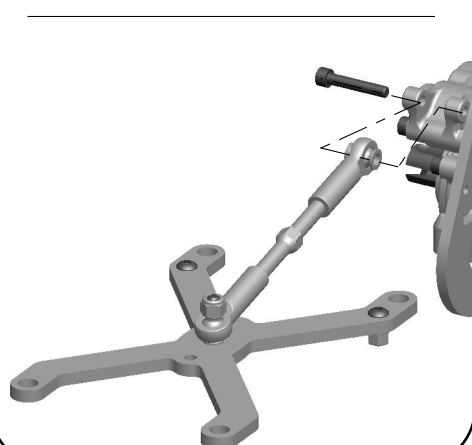
◀1:1▶

AS6472
4-40 Plastic Nut

**12**

◀1:1▶

AS68926
4-40 x 5/8 SH Screw

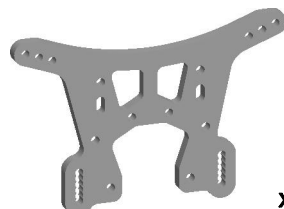
**13**

◀1:1▶

AS6277
Ballstud, Long .30, Silver

◀1:1▶

AS7413
4-40 x 3/4 BHCS Screw

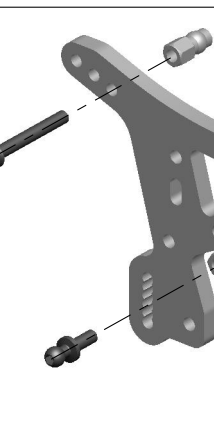


C0069
Rear Carbon Fiber
Shock Tower

x1

◀1:1▶

AS44449
4-40 Mini Locknut



◀1:1▶

AS1780
Shock Bushing
Standard

14

◀1:1▶

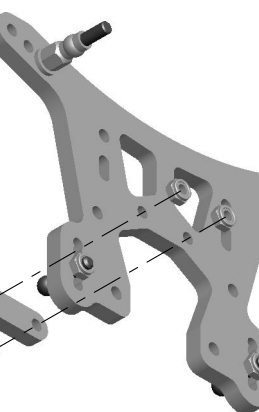
AS68932
4-40 x 5/16
SH Screw



C0070
Body Mount

◀1:1▶

AS44449
4-40 Mini Locknut

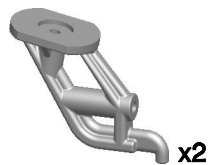
**15**

◀1:1▶

C0015
M3 x 10 BHCS
Screw



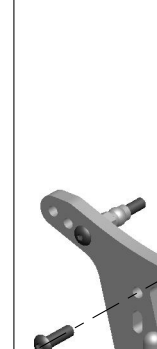
C0015
Wing Washer



C0015
Wing Mount

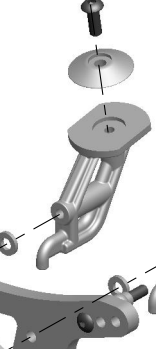
◀1:1▶

C0015
M3 x 8 BHCS
Screw



◀1:1▶

FAST142-4
M3 2.0mm Washer

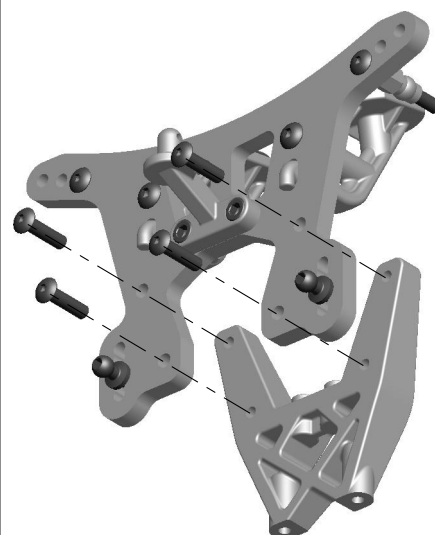
**16**

◀1:1▶

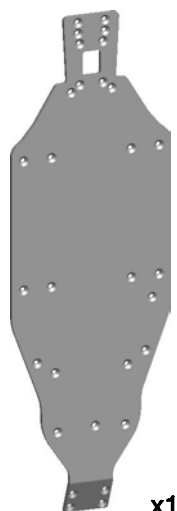
AS2221
4-40 x 7/16
BHCS Screw



C0068
Bulkhead



17



C0065 Chassis x1

◀1:1▶



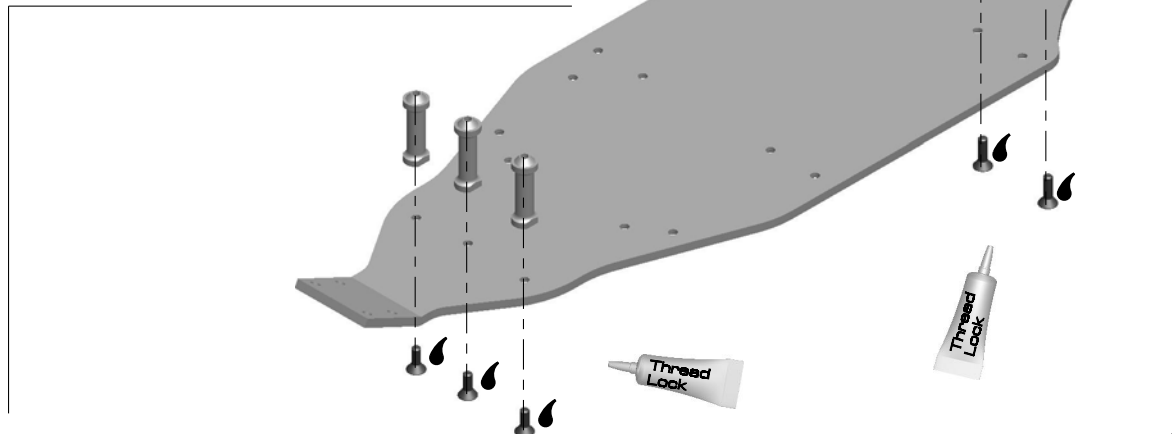
AS6292 4-40 x 3/8 FHCS Screw x5



C0010 Front Brace Post x3



C0071 Front Hinge Pin Brace x1



18

◀1:1▶



AS6292 4-40 x 3/8 FHCS Screw x8

◀1:1▶



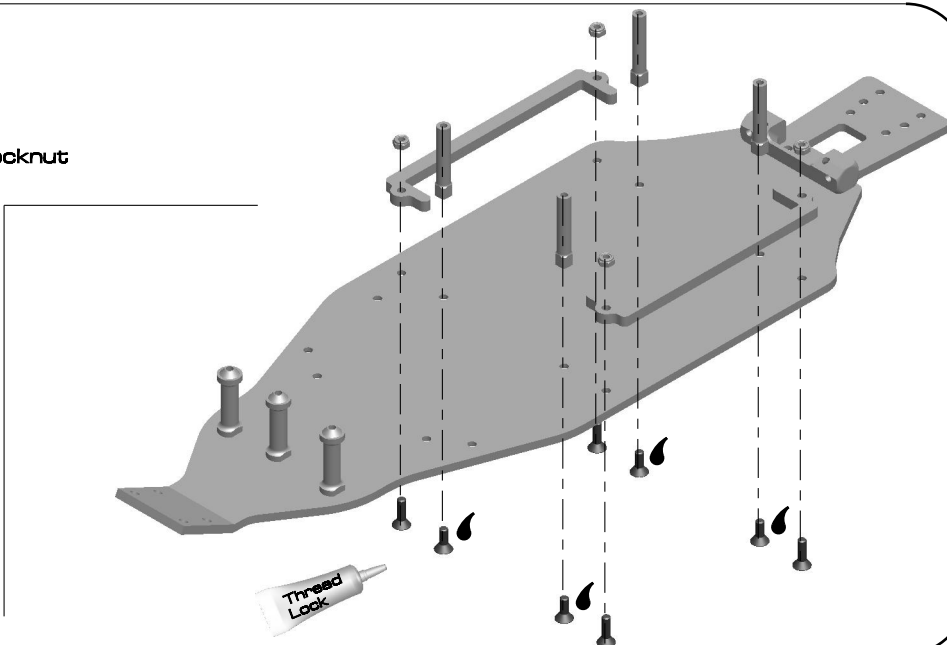
AS4449 4-40 Mini Locknut x4



C0076 Lipo Holder x2



C0074 Lipo Post x4

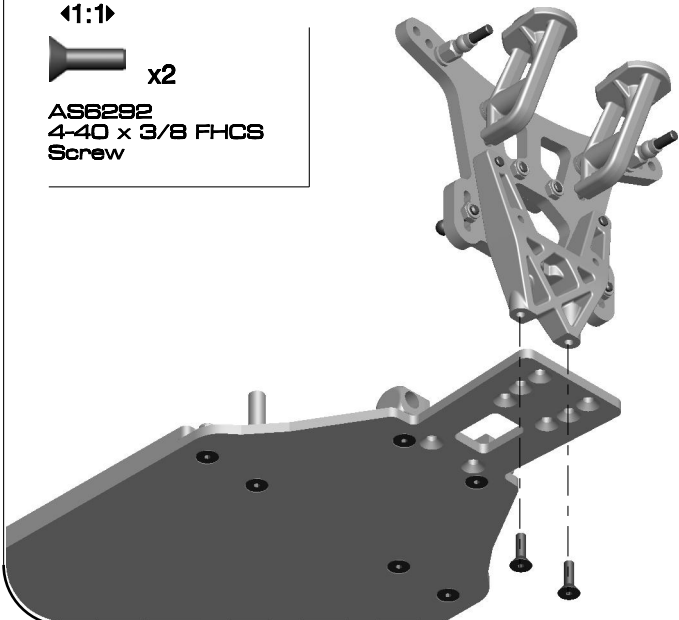


19

◀1:1▶



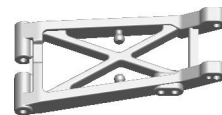
AS6292 4-40 x 3/8 FHCS Screw x2



20



AS9582 Rear A-Arm, Left x1

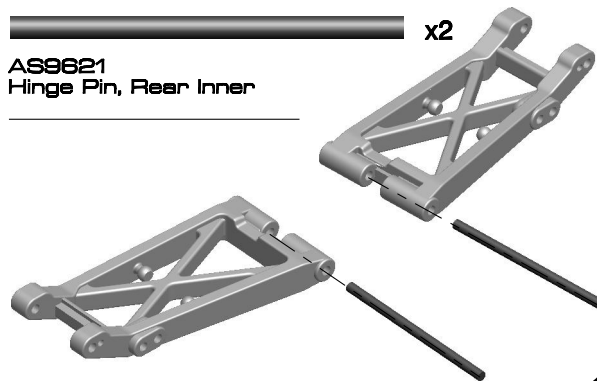


AS9582 Rear A-Arm, Right x1

◀1:1▶



AS9621 Hinge Pin, Rear Inner x2



21



x1

C0072
Rear Hinge Pin
Brace

◀1:1▶



x2

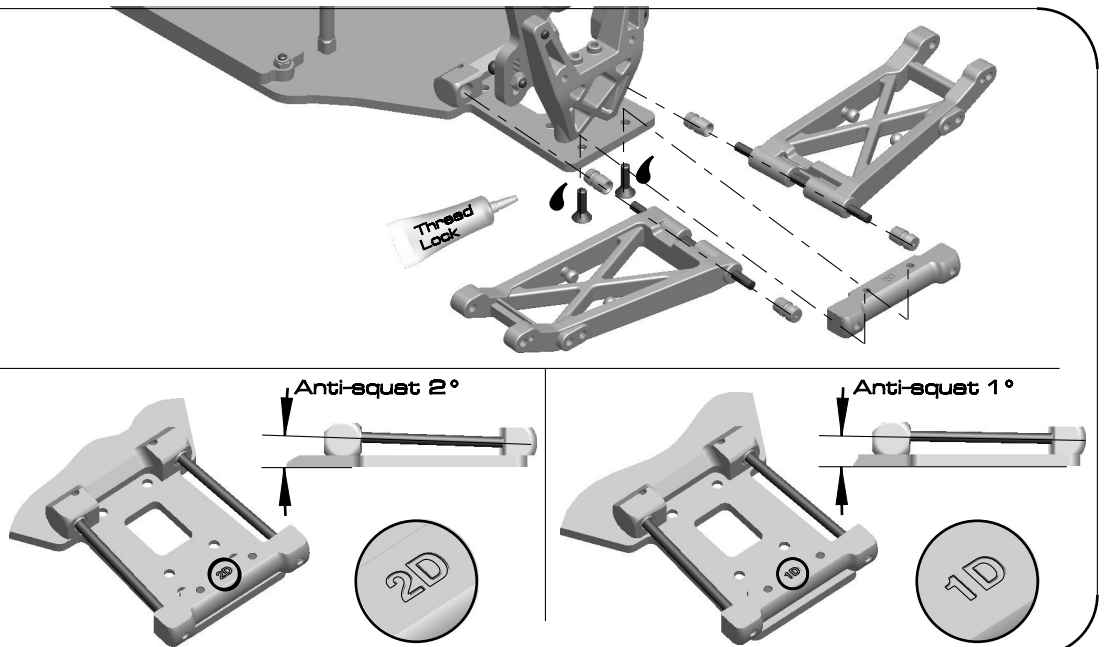
AS6292
4-40 x 3/8 FHCS
Screw

◀1:1▶



x4

C0073
Hinge Pin Brace
Insert



22

◀1:1▶



x4

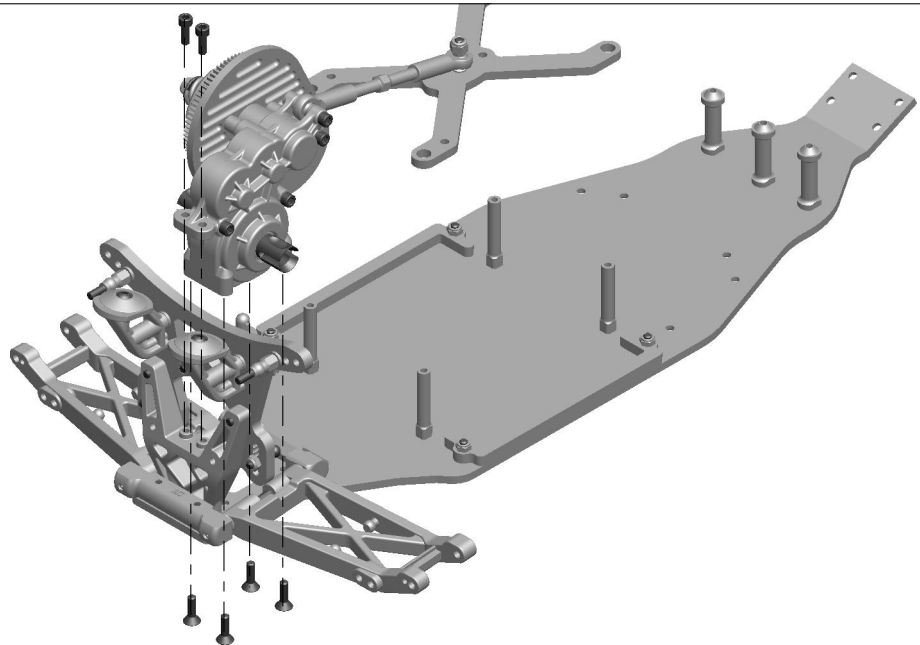
AS6292
4-40 x 3/8 FHCS
Screw

◀1:1▶



x2

AS6924
4-40 x 3/8 SHCS
Screw



23

◀1:1▶



x2

AS9645
2-56 x 1/8 BHCS
Screw

◀1:1▶



x2

AS9622
Hinge Pin, Rear Outer

◀1:1▶



x2

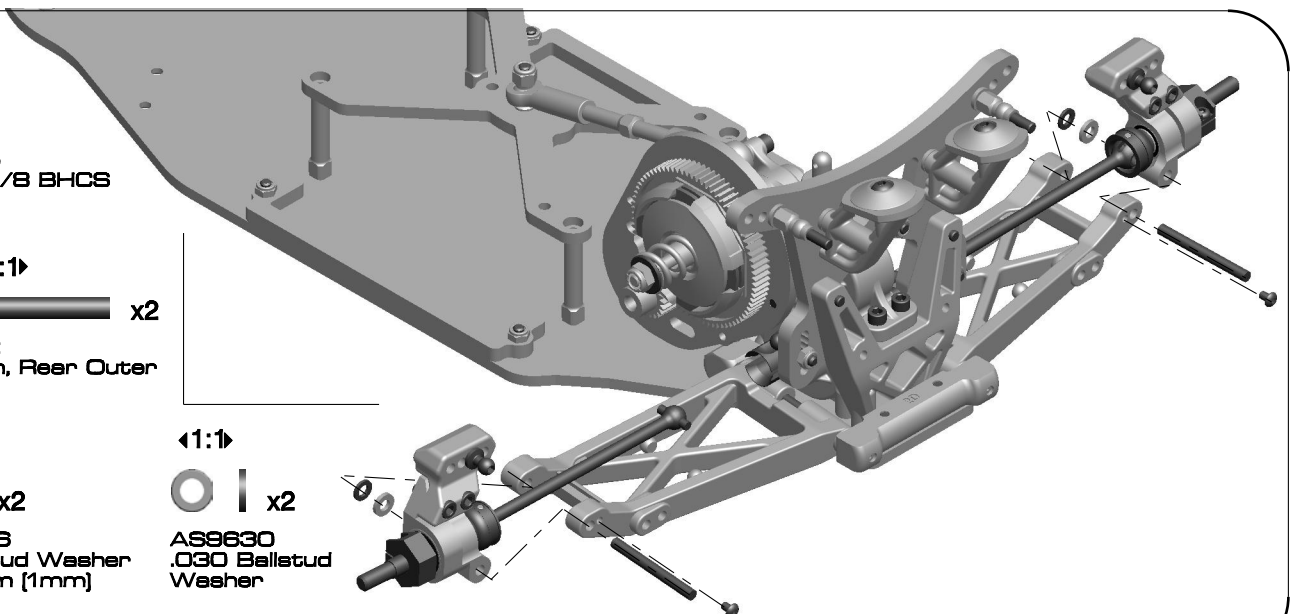
AS31286
FT Ballstud Washer
Aluminium [1mm]

◀1:1▶



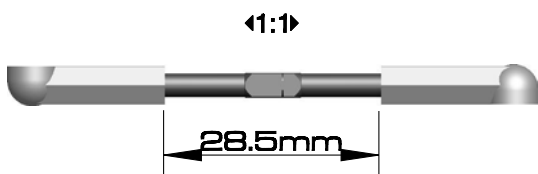
x2

AS9630
.030 Ballstud
Washer



24

x2



1:1

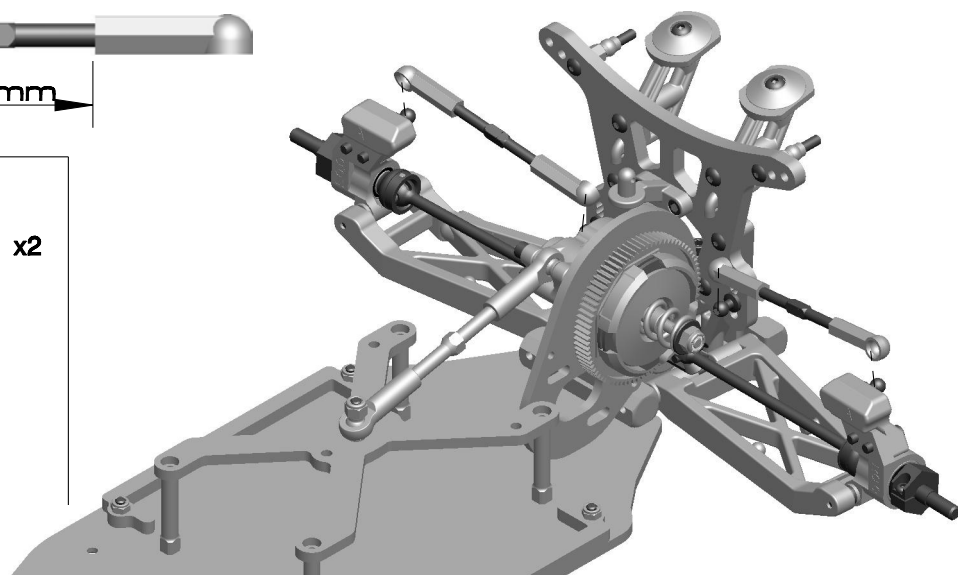


AS1406
FT Blue Titanium Turnbuckle
2.0"

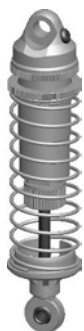
1:1



AS7230
Ball Cup
Large



25



x2

AS91316
12mm Shock
B4.2, B44.2 Rear

1:1



x2

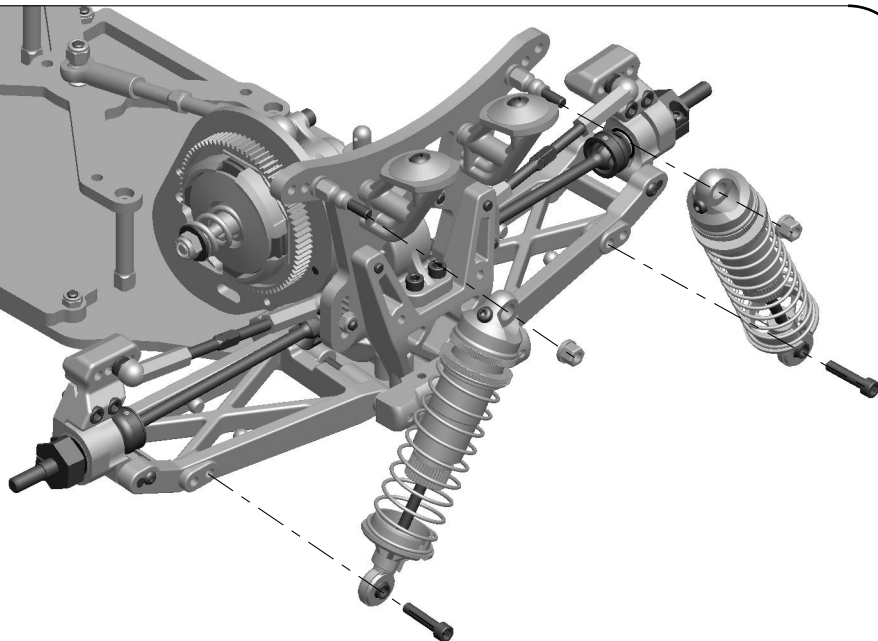
AS6825
4-40 x 1/2 SHCS
Screw

1:1



x2

AS6472
4-40 Plastic Nut



26

1:1



x3

AS6282
4-40 x 3/8 FHCS
Screw

1:1



x3

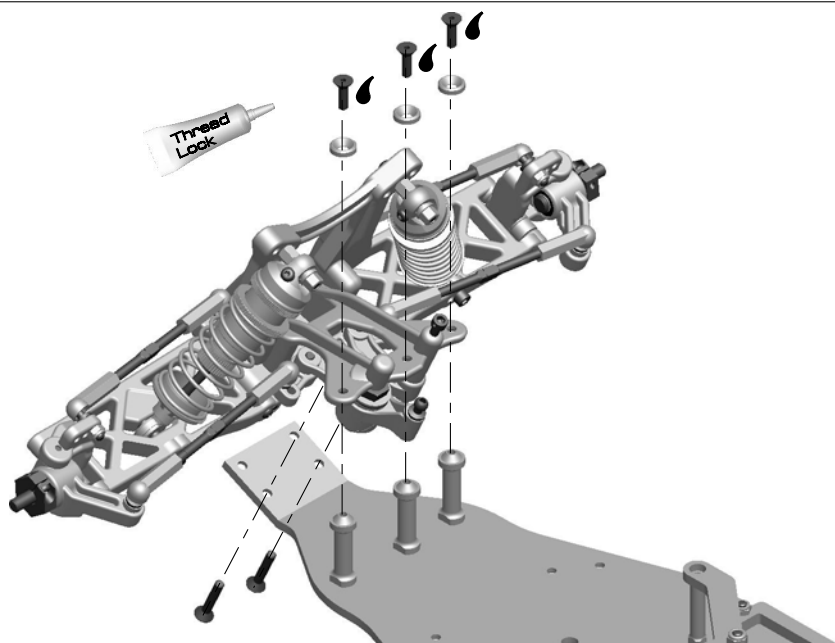
FAST140
M3 Countersunk
Washer, Blue

1:1



x2

AS6915
4-40 x 5/8 FHCS
Screw



27



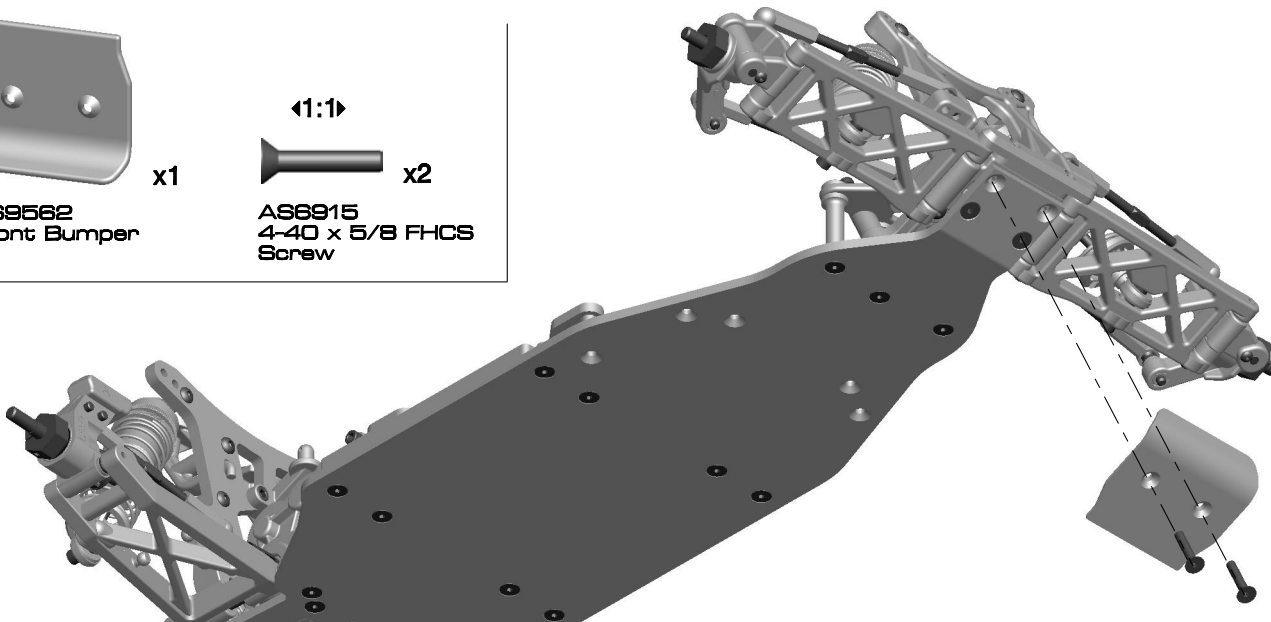
x1



x2

AS9562
Front Bumper

AS8915
4-40 x 5/8 FHCS
Screw



28

◀1:1▶



x1

◀1:1▶



x1

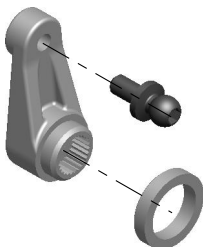
AS89007
Servo Horn
Ring, Blue

AS3981
Ballstud, short .20
Black



x1

AS9180
Servo Horn
Molded



29



x2

AS7336
Servo Spacer

◀1:1▶



x4

AS6917
4-40 x 3/8 BHCS
Screw

◀1:1▶



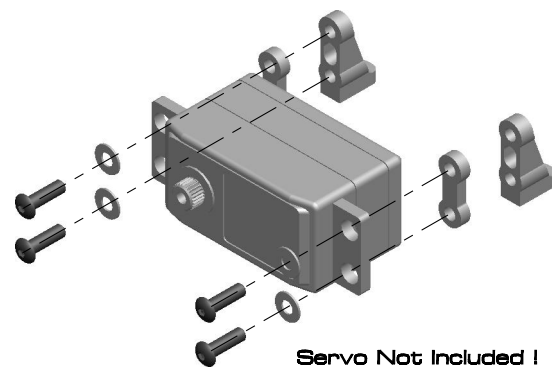
x4

AS7337
.250 x .125 x .015"
Gold Washer



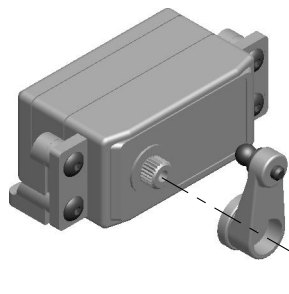
x2

AS1779
FT Servo
Mount, Blue



Servo Not Included !

30



Servo Screw
Not Included !

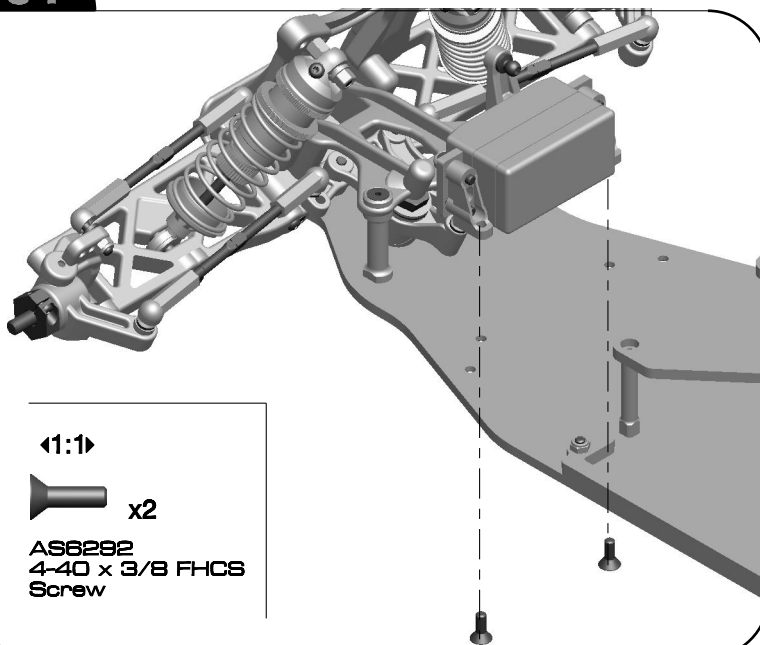


AS9180
Servo
Horn

Steering Servo Chart

ASSOCIATED	25T	F
AIRTRONICS	23T	A
FUTABA	25T	F
HITEC	24T	H
JR PROPO	23T	J
KO PROPO	23T	J
SAVOX	25T	F
SPEKTRUM	23T	J

31



◀1:1▶



x2

AS6292
4-40 x 3/8 FHCS
Screw

32

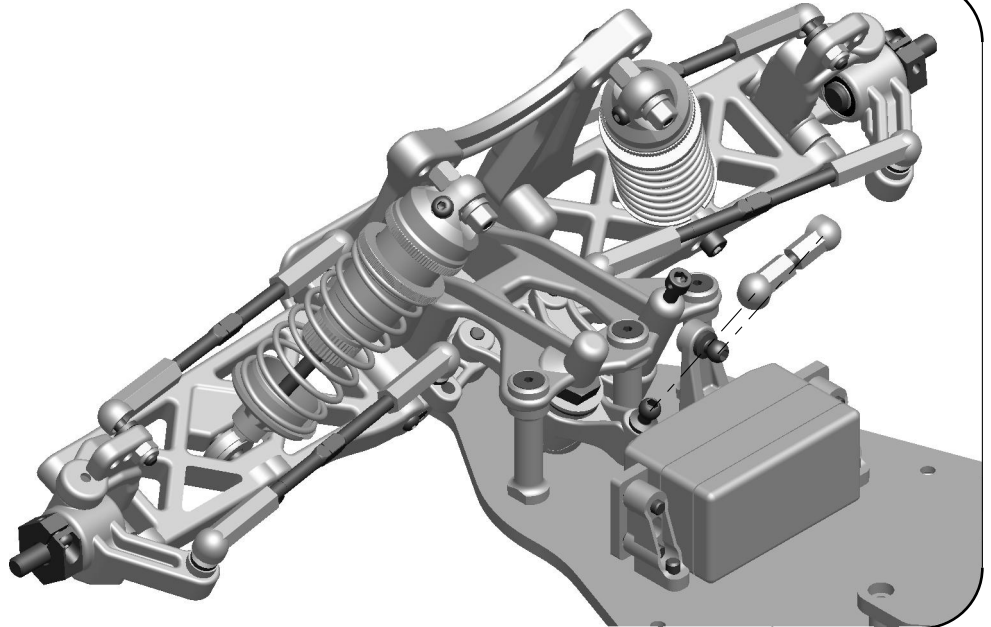
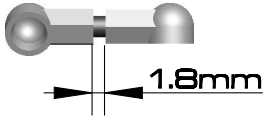
1:1

x1
AS9170
4-40 x 1/2
Set Screw

1:1

x2
AS9170
Ball Cup
Small

1:1



33

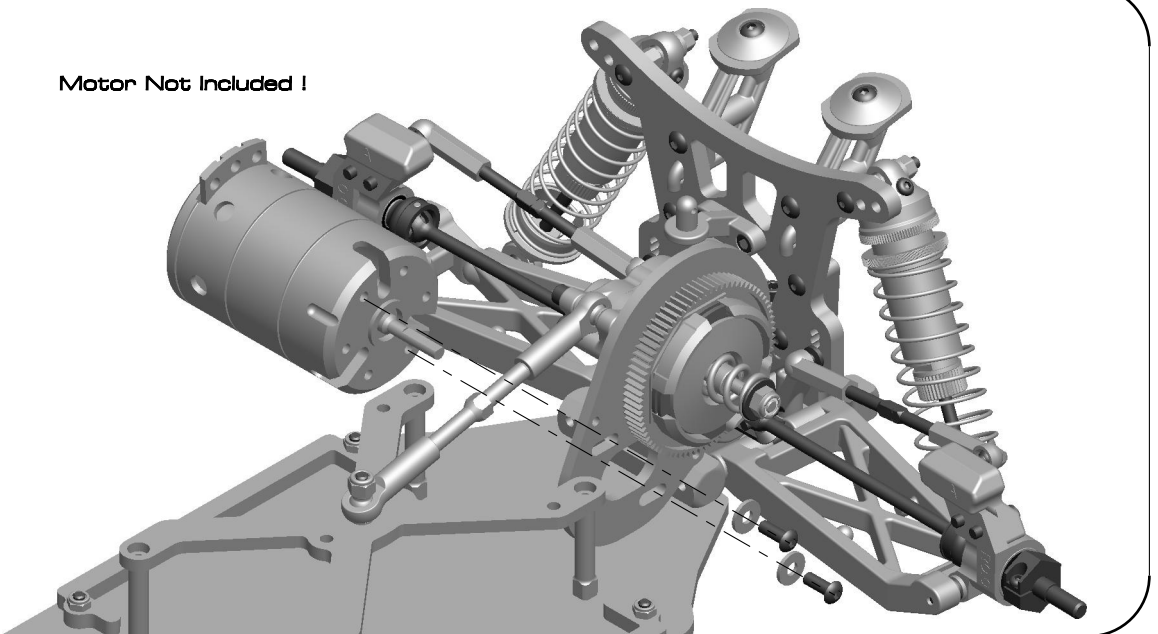
1:1

x2
AS6936
#4 Washer
Aluminium

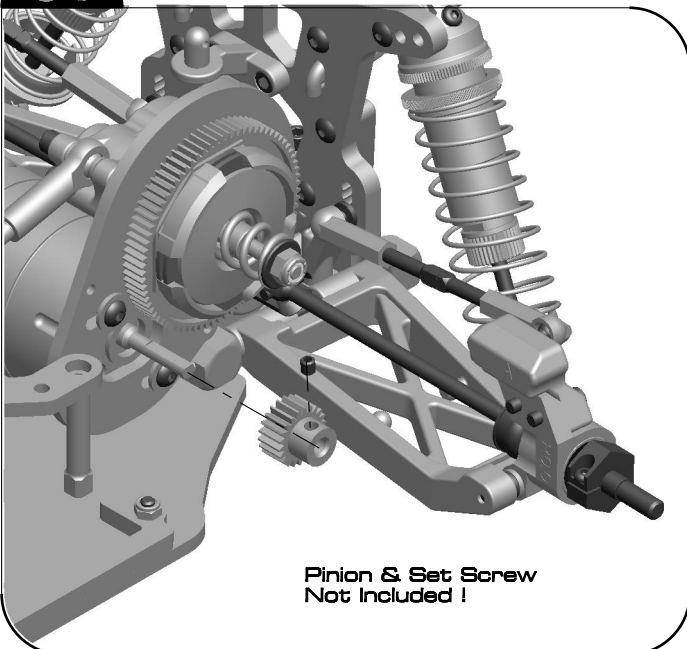
Motor Not Included !

1:1

x2
AS31532
M3 x 8mm BHCS
Screw

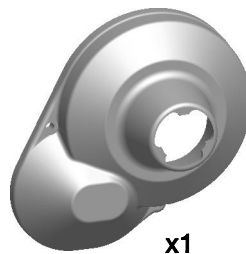


34



Pinion & Set Screw
Not Included !

35



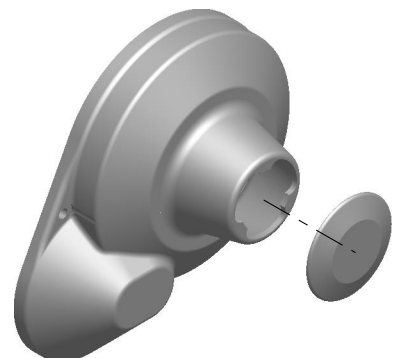
x1

AS7461
Gear Cover
Molded, Clear

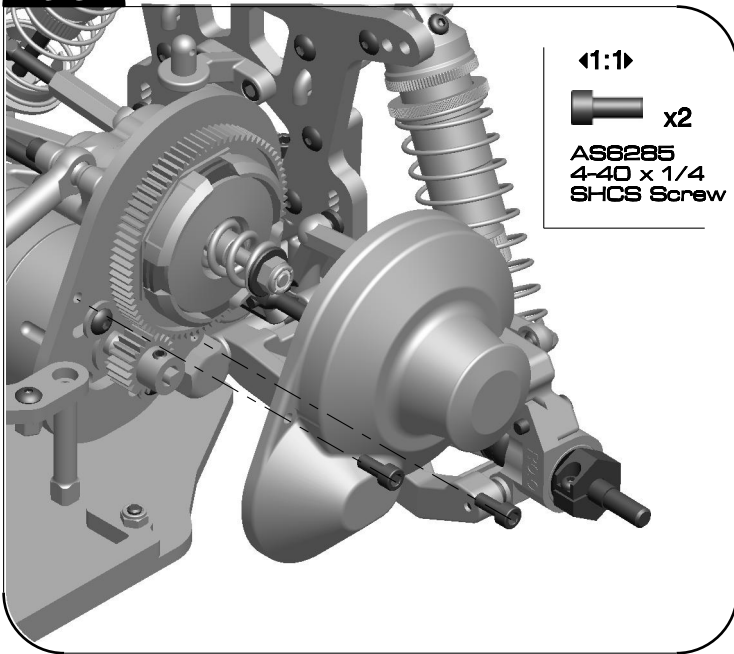


x1


AS7461
Gear Cover
Button



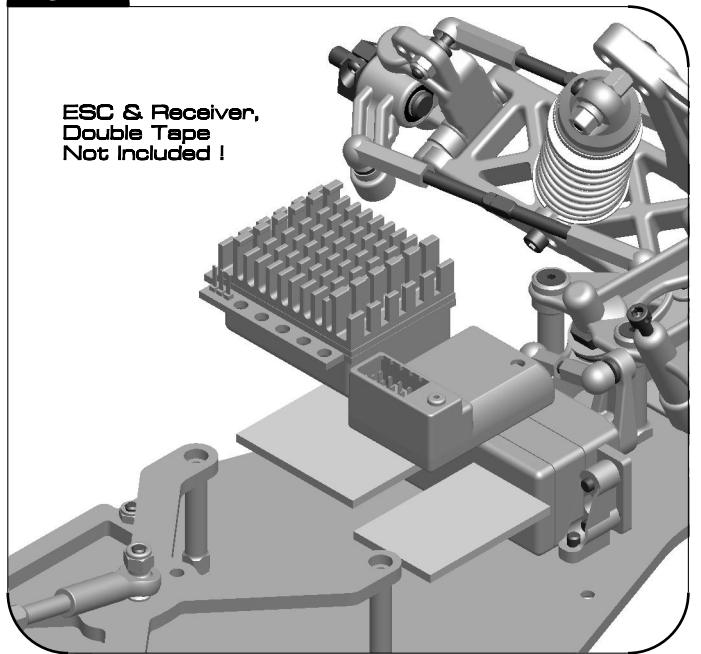
36



◀1:1▶

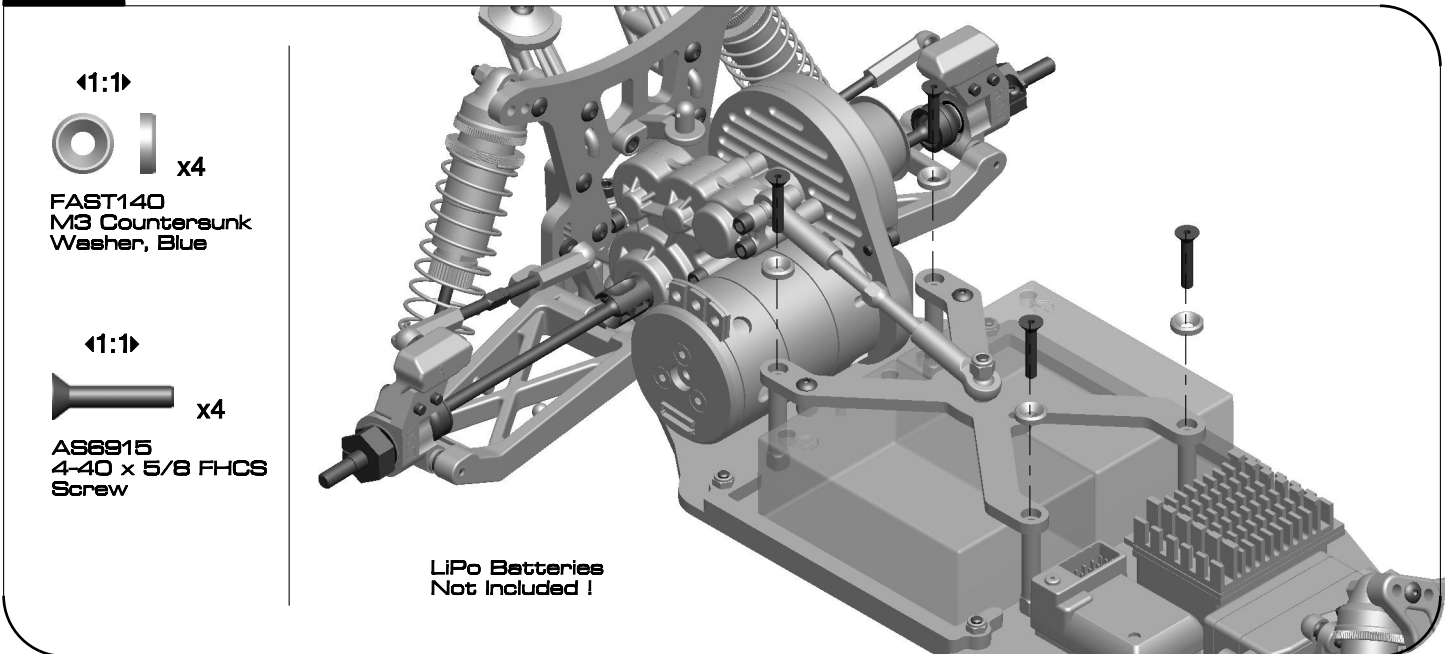
 x2
AS6285
 4-40 x 1/4
 SHCS Screw

37



ESC & Receiver,
 Double Tape
 Not Included !

38



◀1:1▶



x4

FAST140
 M3 Countersunk
 Washer, Blue

◀1:1▶

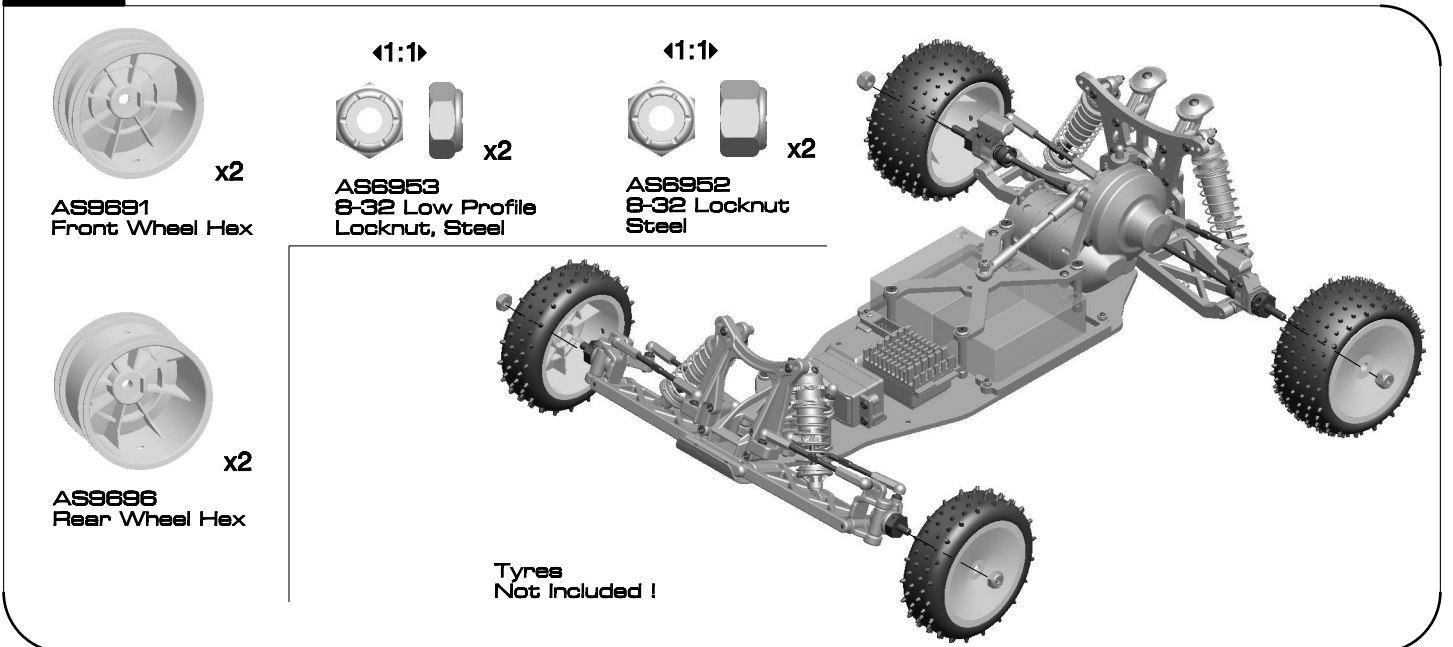


x4

AS6915
 4-40 x 5/8 FHCS
 Screw

LiPo Batteries
 Not Included !

39



x2

AS9691
 Front Wheel Hex



x2

AS9696
 Rear Wheel Hex

◀1:1▶



x2

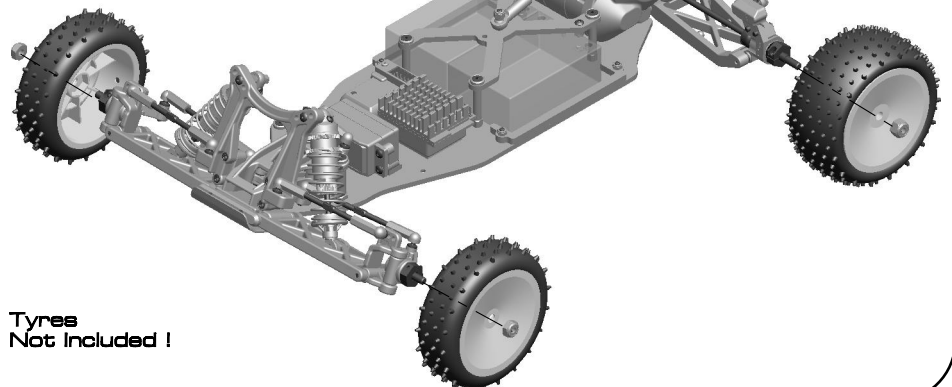
AS6953
 8-32 Low Profile
 Locknut, Steel

◀1:1▶



x2

AS6952
 8-32 Locknut
 Steel



Tyres
 Not Included !



Parts List







Complete Listing:

http://www.teamassociated.com/parts/centro_c4_2/

#C0060
C4.2 Conversion Kit

Spare Parts

 <p>#C0015 C4.1/2 Rear Wing Mount</p>	 <p>#C0040 C4.1/2 Brass Front Chassis Posts</p>
 <p>#C0065 C4.2 Chassis</p>	 <p>#C0066 C4.2 X Brace</p>
 <p>#C0067 C4.2 Gearbox</p>	 <p>#C0068 C4.2 Bulkhead</p>
 <p>#C0069 C4.2 Rear Shock Tower</p>	 <p>#C0070 C4.2 Rear Body Mount</p>

 <p>#C0072 C4.2 Rear Hinge Pin Brace</p>	 <p>#C0073 C4.2 Spare Hinge Pin Brace Inserts</p>
 <p>#C0074 C4.2 LiPo Battery Posts</p>	 <p>#C0075 C4.2 Center Brace Turnbuckle, 50mm</p>
 <p>#C0076 C4.1/2 LiPo Holders</p>	 <p>#C0077 C4.2 Decal Sheet</p>

See next page for option parts

Option Parts

 <p>#C0032 C4.1/2 Front Bulkhead (use with #C0033/34)</p>	 <p>#C0033 C4.1/2 Brass 18g Front Bulkhead Brace (use with #C0032)</p>
 <p>#C0034 C4.1/2 Delrin® Front Bulkhead Brace (use with #C0032)</p>	 <p>#C0035 C4.1/2 Brass 15g Weight</p>
 <p>#C0036 C4.1/2 Brass 10g Weight</p>	 <p>#C0037 C4.1/2 Brass 5g Weight</p>
 <p>#C0039 C4.1/2 Brass 10g Underbellcrank Weight</p>	 <p>#C0085 C4.2 Carbon Fiber LiPo Battery Holders</p>
 <p>#C0086 C4.2 Carbon X Brace</p>	 <p>#C0087 C4.2 Carbon Chassis Side Braces and Posts</p>
 <p>#C0088 C4.2 Rear Hinge Pin Brace, 2.5°</p>	 <p>#C0089 C4.2 Aluminum Bulkhead</p>

Updated November 6, 2013