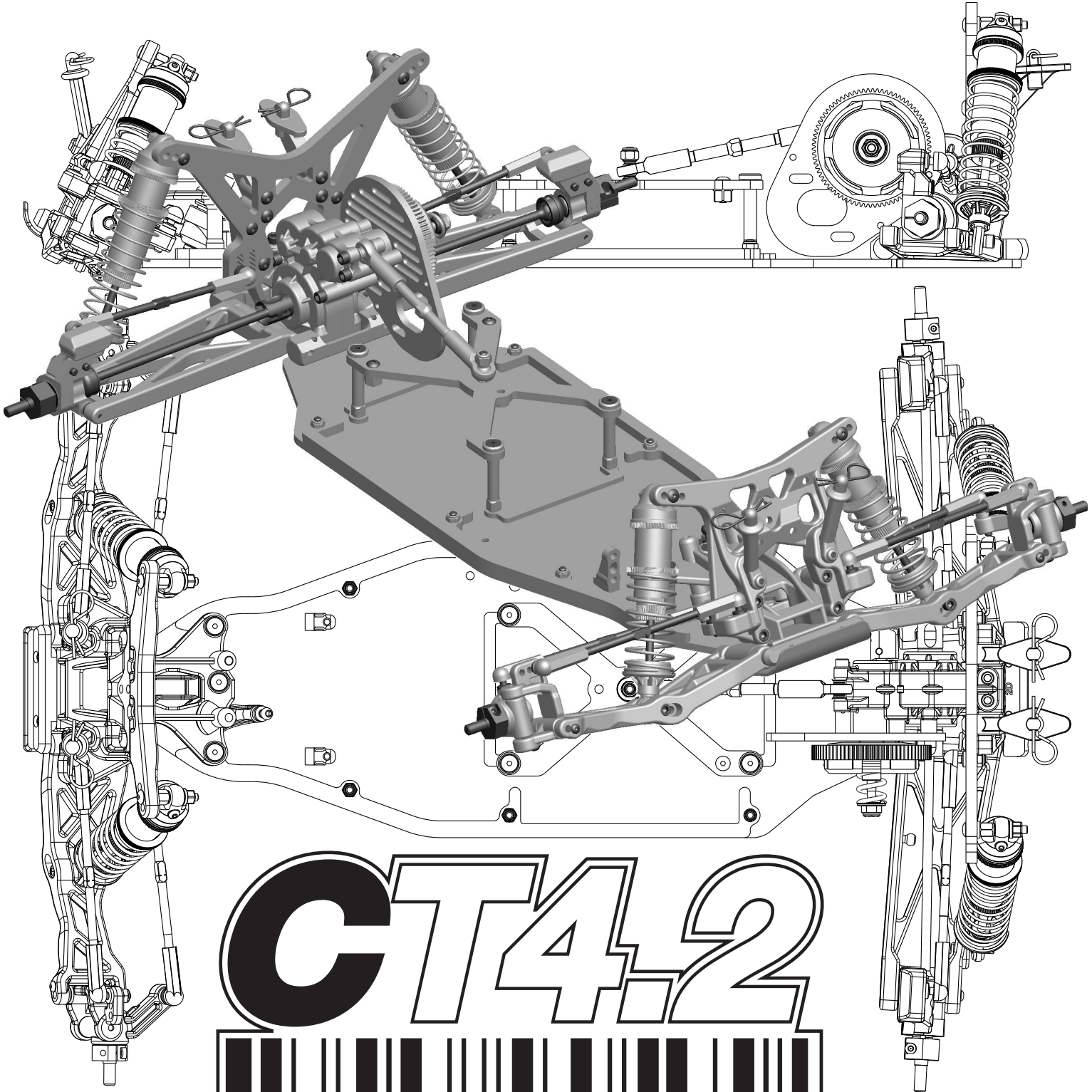


# CENTRO



# CT4.2



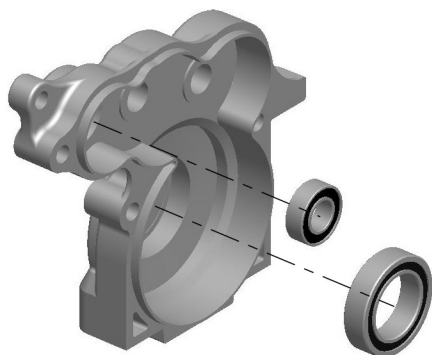
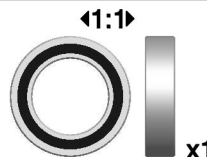
## INSTRUCTION MANUAL

**1**

x1

x1

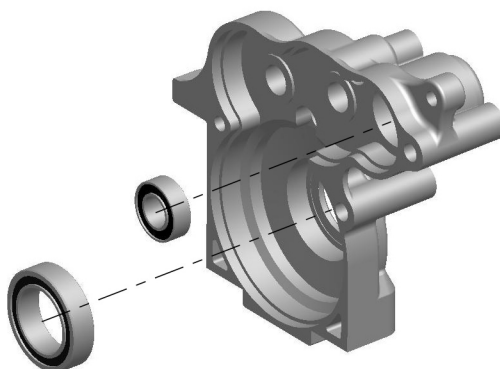
x1

**2**

x1

x1

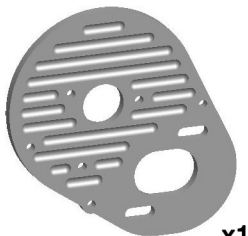
x1

**3**

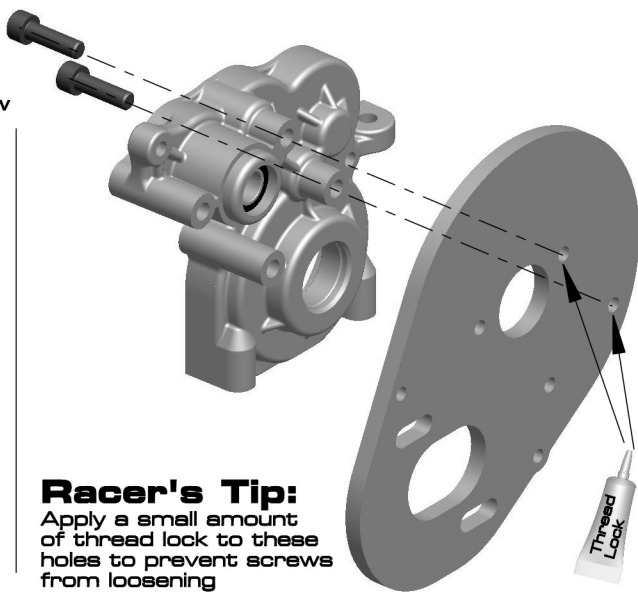
x2



AS1770  
Motor Plate



AS1770  
Motor Plate

**Racer's Tip:**

Apply a small amount of thread lock to these holes to prevent screws from loosening

**4****x2**

x1



x2

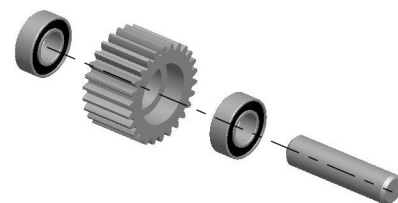


x1

AS9360  
Idler Gear

FTBB01  
Ball Bearing  
3/16 x 3/8

AS9361  
Idler Gear  
Shaft

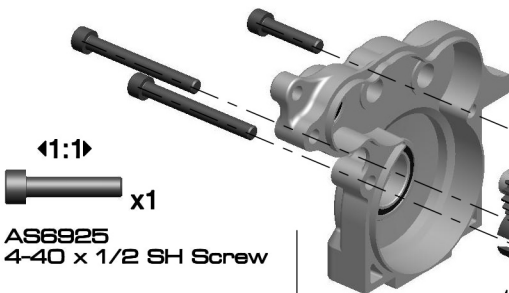
**5**

x1



x1

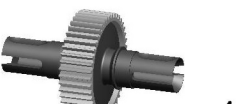
AS9602  
Top shaft  
Spacer

**6**

x1



x2



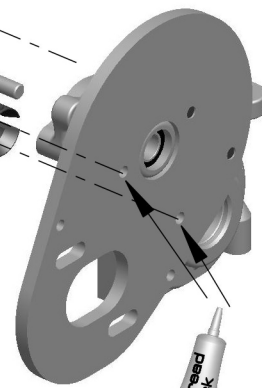
x1

AS9853  
B4.1/B4.2/SC10 Ball Diff.

Diff adjustment screw  
is on this end

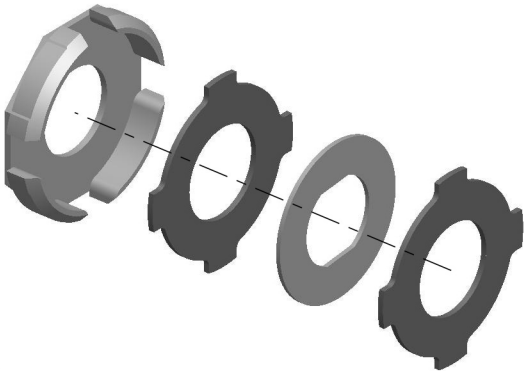
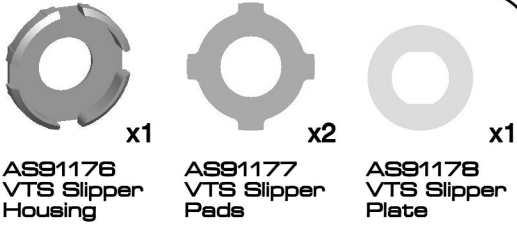
**Racer's Tip:**

Apply a small amount of thread lock to these holes to prevent screws from loosening

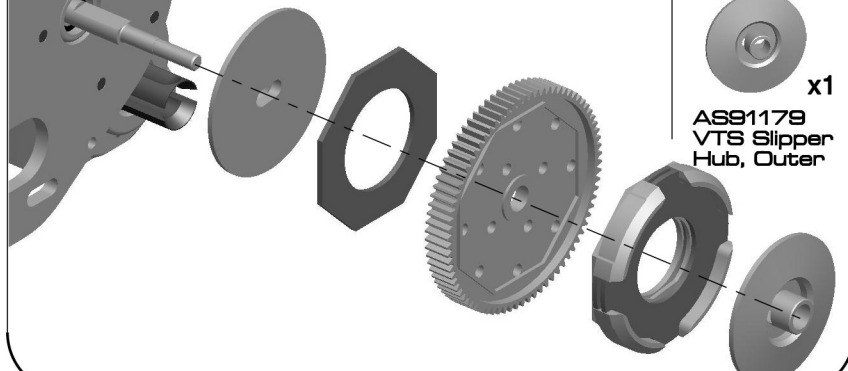
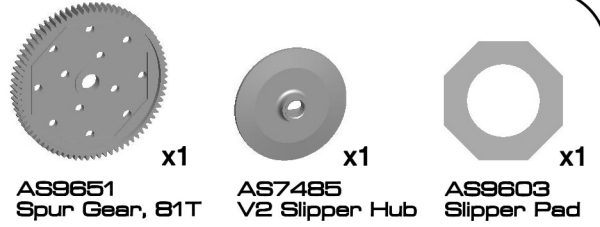




7

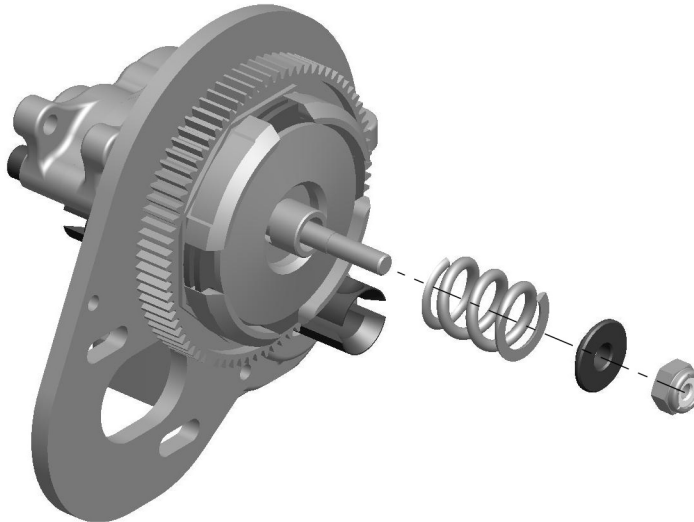


8



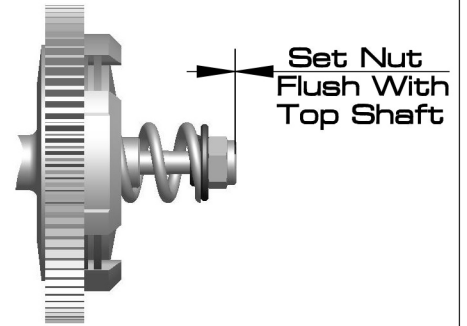
9

◀1:1▶



**Racer's Tip:**

Turn the nut on the shaft so that the end of the top shaft is even with the outside of the nut. At the track, tighten or loosen the nut in 1/8 turn increments until you hear a faint slipping sound for 1-2 feet on takeoffs. Recheck after initial run.



10

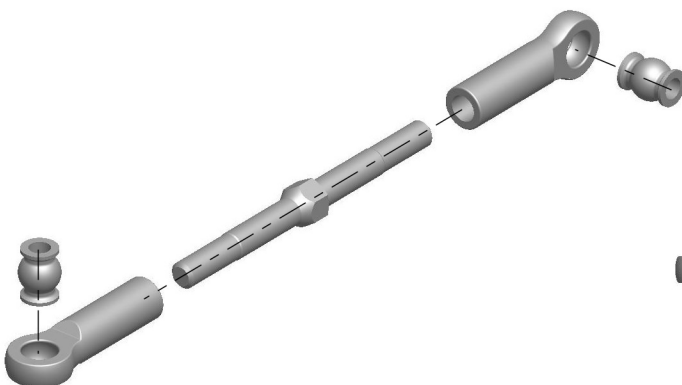
◀1:1▶



◀1:1▶

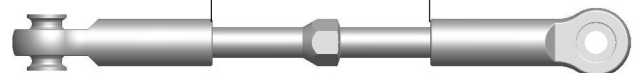


◀1:1▶






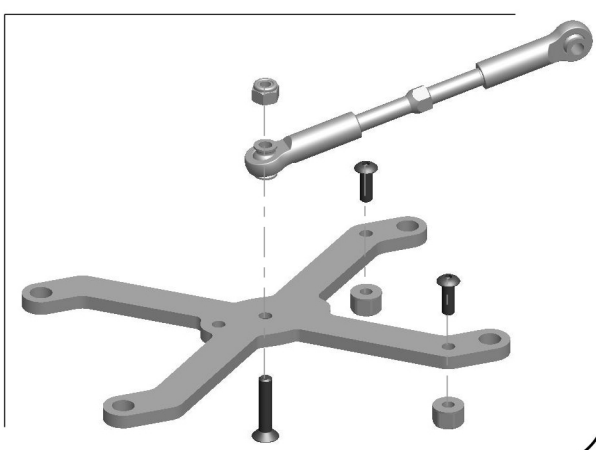
◀1:1▶


28.8mm

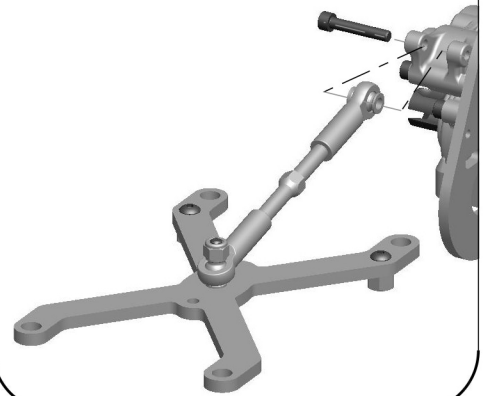


**11**

-  **CT4.2** INCLUDED x1  
FAST117F  
M3 x 15 FHCS  
Screw
-  **CT4.2** INCLUDED x1  
FASTM3  
M3 Locknut
-  **CT4.2** INCLUDED x2  
AS6919  
4-40 x 5/16  
BHCS Screw
-  **CT4.2** INCLUDED x2  
AS6222  
4-40 Nylon Nut

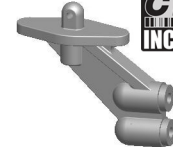

**12**

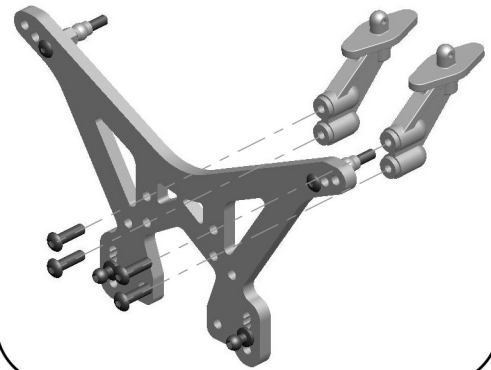
-  **CT4.2** INCLUDED x1  
AS6926  
4-40 x 5/8 SH Screw

**13**

-  **CT4.2** INCLUDED x2  
AS6277  
Ballstud, Long .30, Silver
-  **CT4.2** INCLUDED x2  
AS4449  
4-40 Mini Locknut
-  **CT4.2** INCLUDED x2  
AS1780  
Shock Bushing  
Standard
-  **CT4.2** INCLUDED x2  
AS7413  
4-40 x 3/4 BHCS Screw


**14**

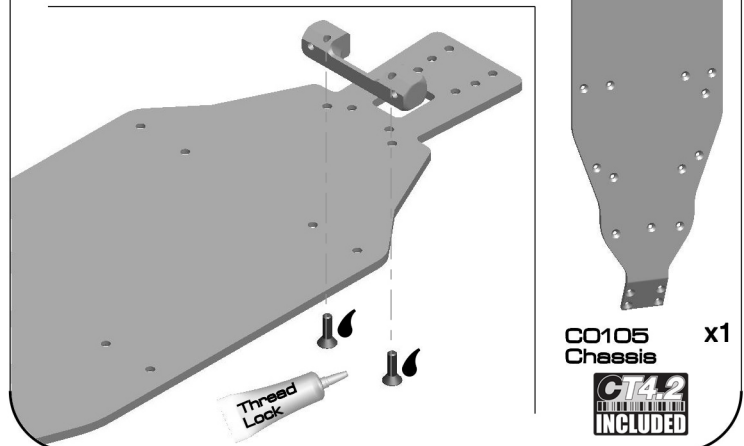
-  **CT4.2** INCLUDED x2  
C0111  
Body Mount
-  **CT4.2** INCLUDED x4  
AS2221  
4-40 x 7/16  
BHCS Screw

**15**

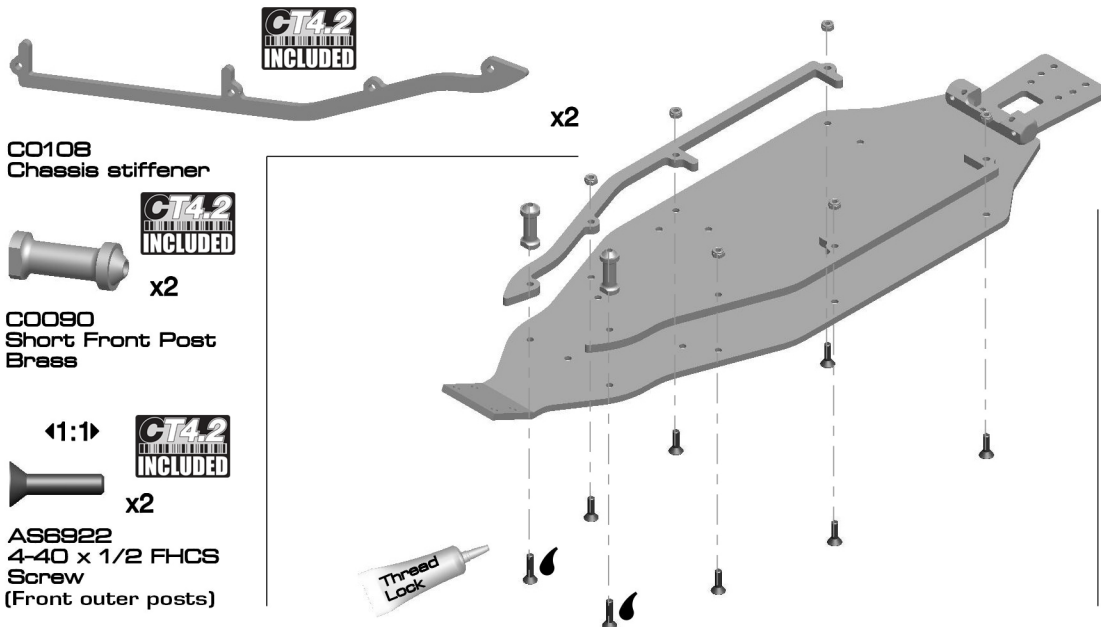
-  **CT4.2** INCLUDED x4  
AS2221  
4-40 x 7/16  
BHCS Screw

**16**

-  **CT4.2** INCLUDED x2  
AS6292  
4-40 x 3/8 FHCS  
Screw
-  **CT4.2** INCLUDED x1  
C0071  
Front Hinge Pin  
Brace



17



CO108  
Chassis stiffener

x2



x2

CO090  
Short Front Post Brass



x2

AS6922  
4-40 x 1/2 FHCS  
Screw  
(Front outer posts)

◀1:1▶



x6

AS9765  
4-40 x 7/16 FHCS  
Screw

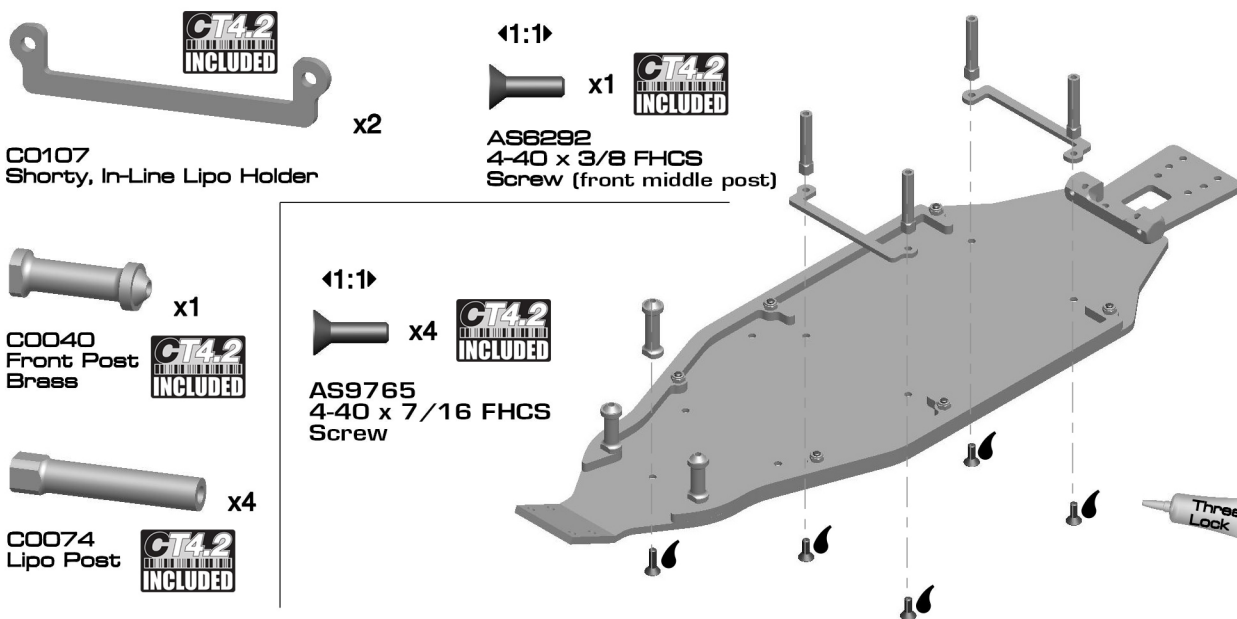
◀1:1▶



x6

AS4449  
4-40 Mini Locknut

18



CO107  
Shorty, In-Line Lipo Holder

x2

◀1:1▶



x1

AS6292  
4-40 x 3/8 FHCS  
Screw (front middle post)



x1

CO040  
Front Post Brass

◀1:1▶



x4

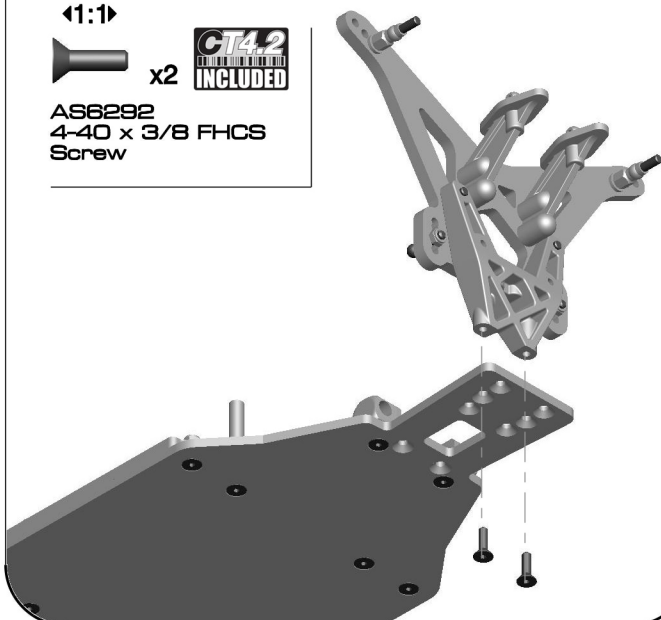
AS9765  
4-40 x 7/16 FHCS  
Screw



x4

CO074  
Lipo Post

19



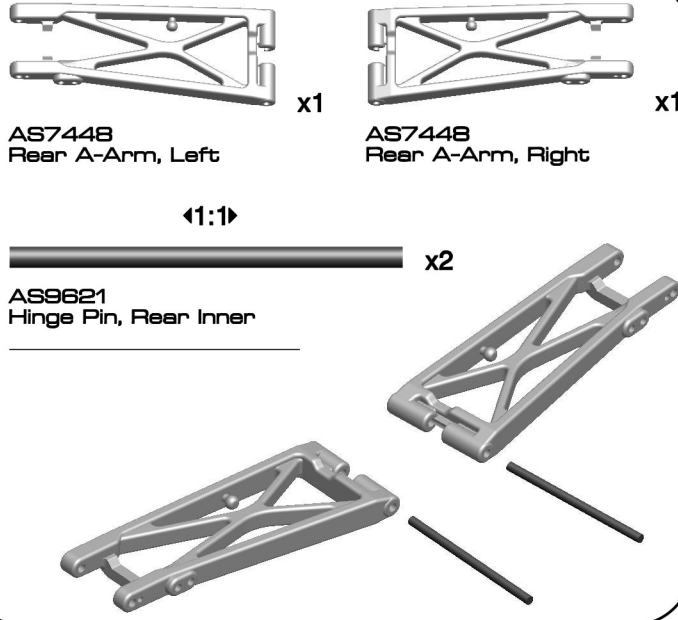
◀1:1▶



x2

AS6292  
4-40 x 3/8 FHCS  
Screw

20



AS7448  
Rear A-Arm, Left

x1

AS7448  
Rear A-Arm, Right

x1

◀1:1▶

AS9621  
Hinge Pin, Rear Inner

x2



# 21



x1

C0072  
Rear Hinge Pin  
Brace



◀1:1▶



x2

AS6292  
4-40 x 3/8 FHCS  
Screw

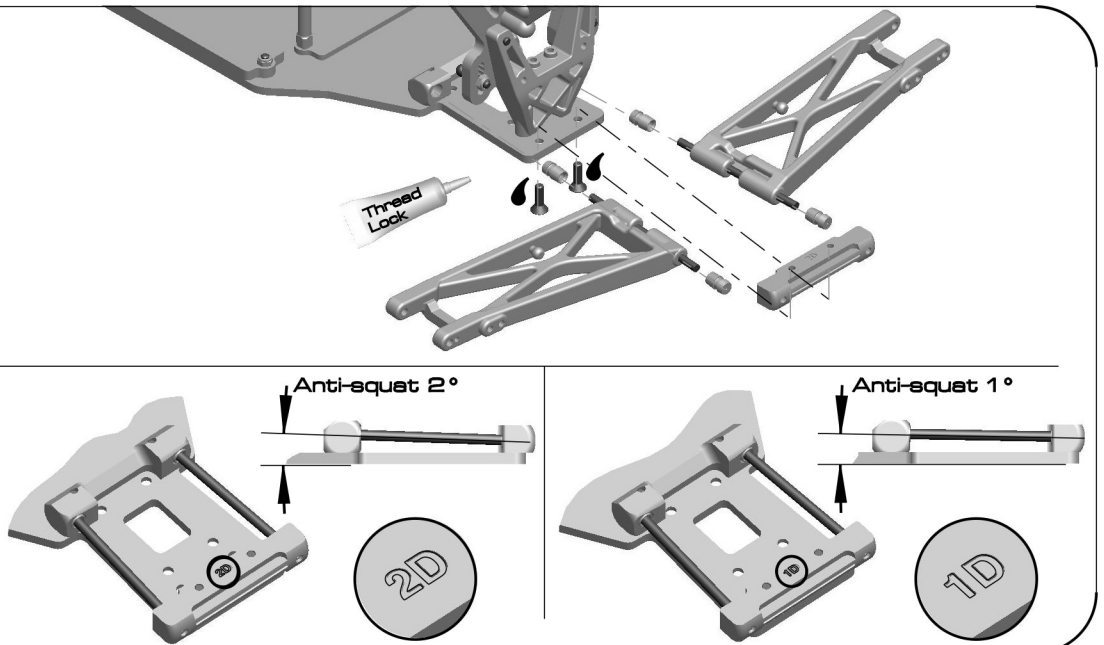


◀1:1▶



x4

C0073  
Hinge Pin Brace  
Insert



# 22

◀1:1▶



x4

AS6292  
4-40 x 3/8 FHCS  
Screw

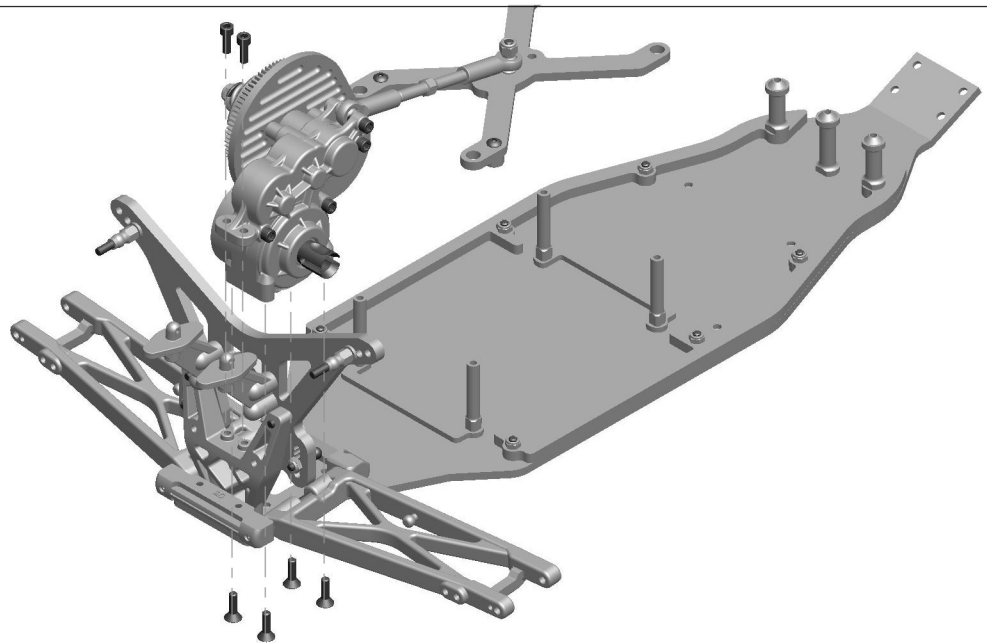


◀1:1▶



x2

AS6924  
4-40 x 3/8 SHCS  
Screw



# 23

◀1:1▶



x2

AS9645  
2-56 x 1/8 BHCS  
Screw

◀1:1▶



x2

AS9622  
Hinge Pin, Rear Outer

◀1:1▶



x2

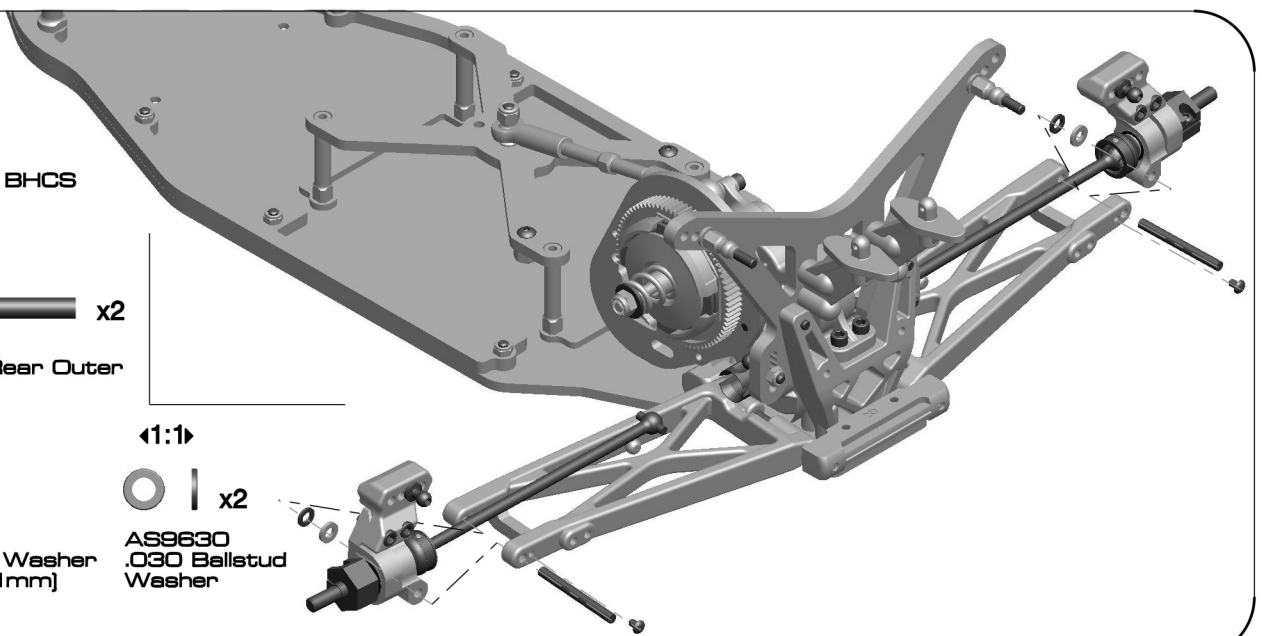
AS31286  
FT Ballstud Washer  
Aluminium [1mm]

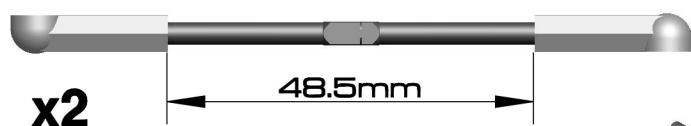
◀1:1▶



x2

AS9630  
.030 Ballstud  
Washer



**24****x2**

48.5mm



1:1

**x2**

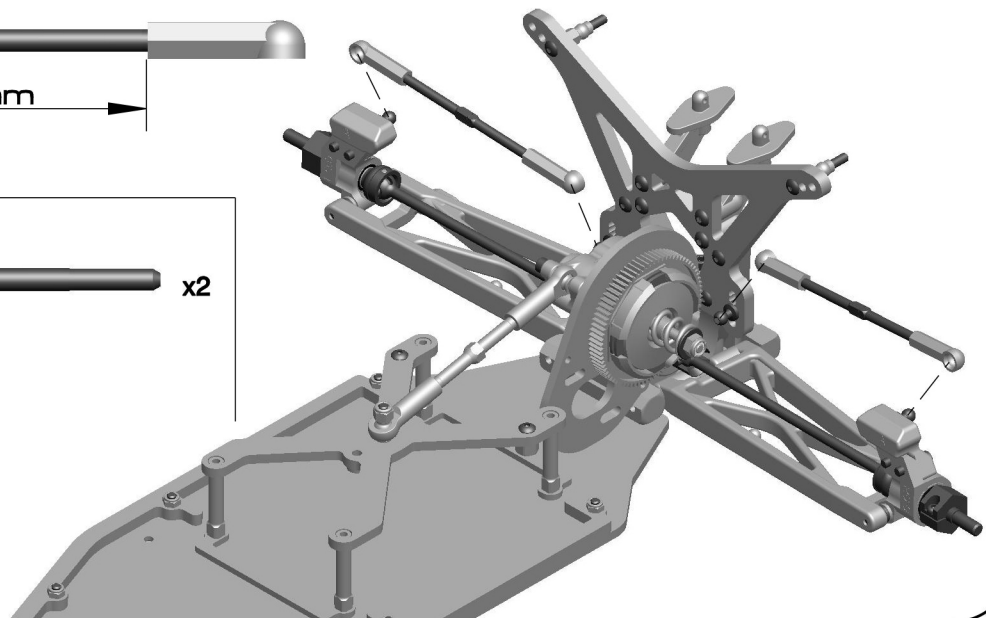
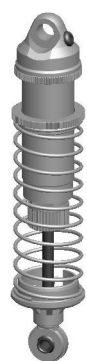
AS1417  
FT Blue Titanium Turnbuckle  
2.8"



1:1

**x4**

AS7230  
Ball Cup  
Large

**25****x2**

AS91317  
12mm Shock  
T4.2, SC10.2 Rear



1:1

**x2**

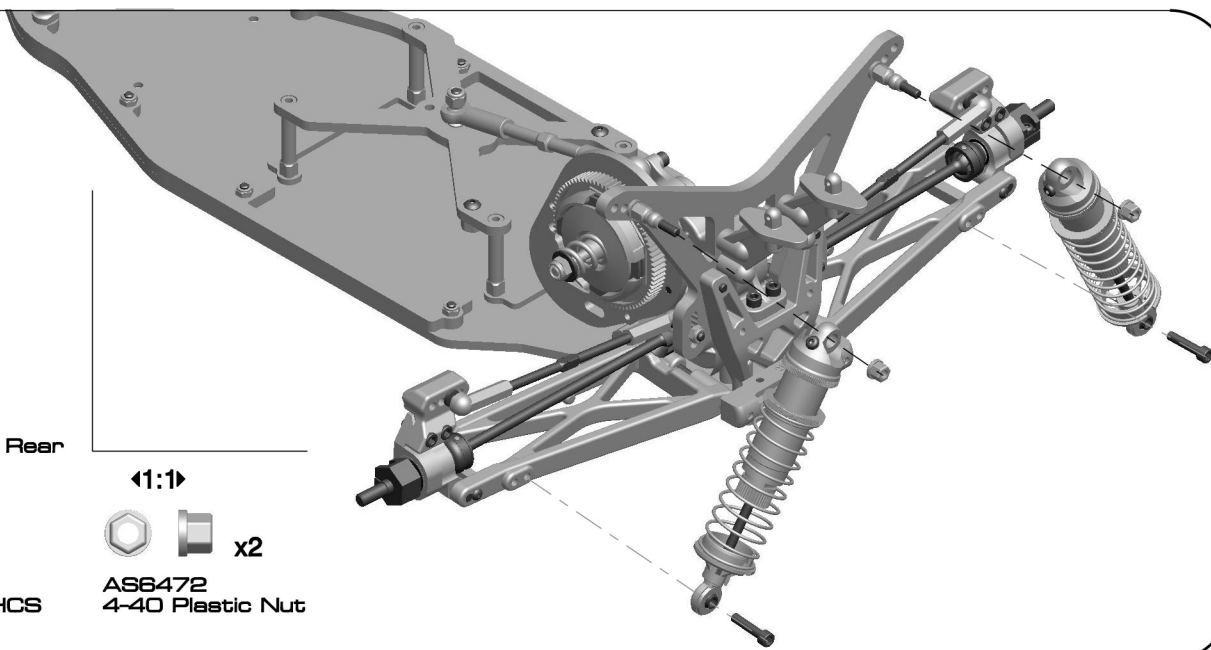
AS6925  
4-40 x 1/2 SHCS  
Screw



1:1

**x2**

AS6472  
4-40 Plastic Nut

**26**

1:1

**x3**

AS6292  
4-40 x 3/8 FHCS  
Screw



1:1

**x3**

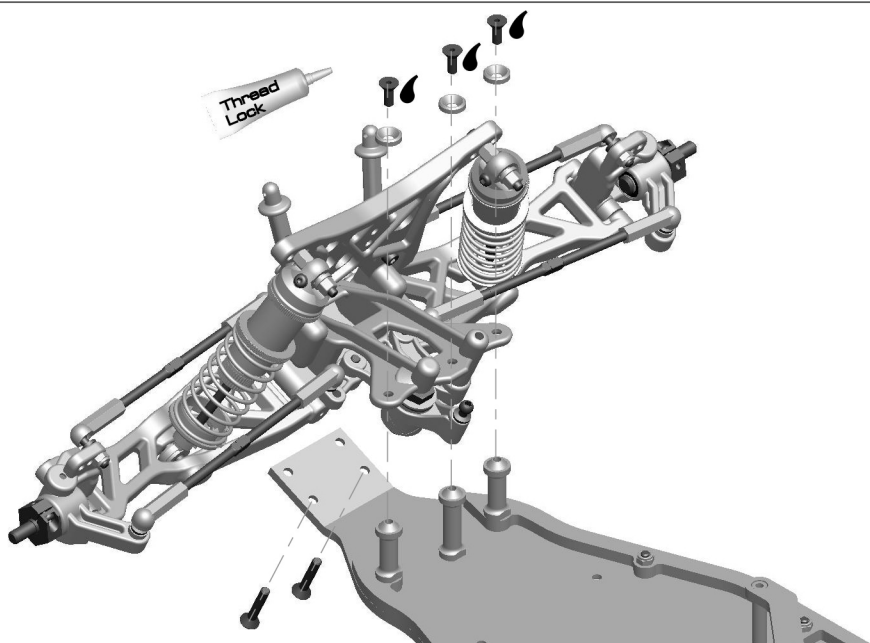
FAST140  
M3 Countersunk  
Washer, Blue



1:1

**x2**

AS6915  
4-40 x 5/8 FHCS  
Screw



27



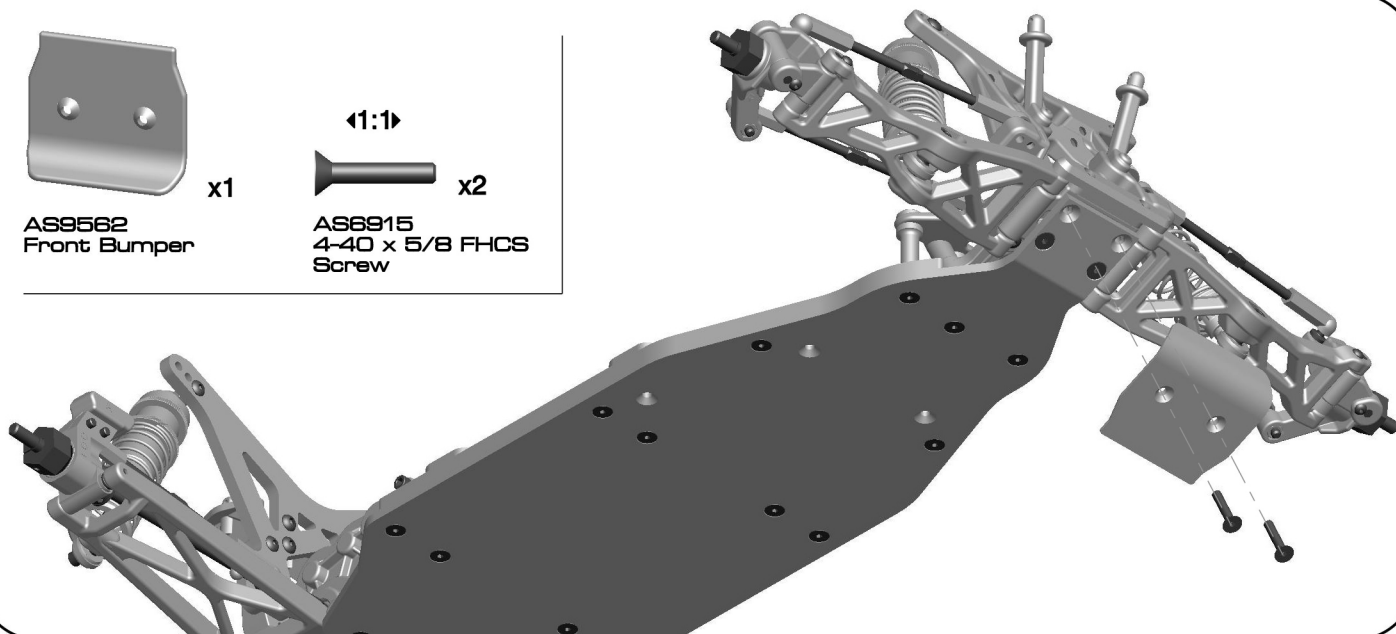
x1



x2

AS9562  
Front Bumper

AS6915  
4-40 x 5/8 FHCS  
Screw



28

◀1:1▶



x1

◀1:1▶



x1

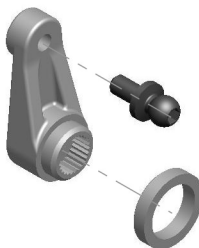
AS89007  
Servo Horn  
Ring, Blue

AS3981  
Ballstud, short .20  
Black



x1

AS9180  
Servo Horn  
Molded



29



x2

AS7336  
Servo Spacer

◀1:1▶



x4

AS6917  
4-40 x 3/8 BHCS  
Screw

◀1:1▶



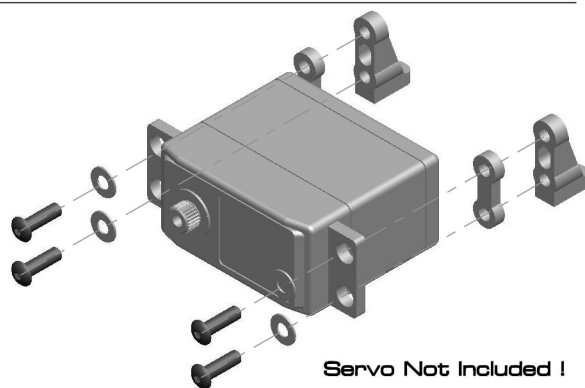
x4

AS7337  
.250 x .125 x .015"  
Gold Washer



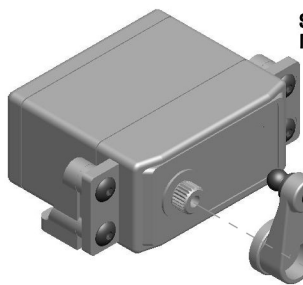
x2

AS1779  
FT Servo  
Mount, Blue



Servo Not Included !

30



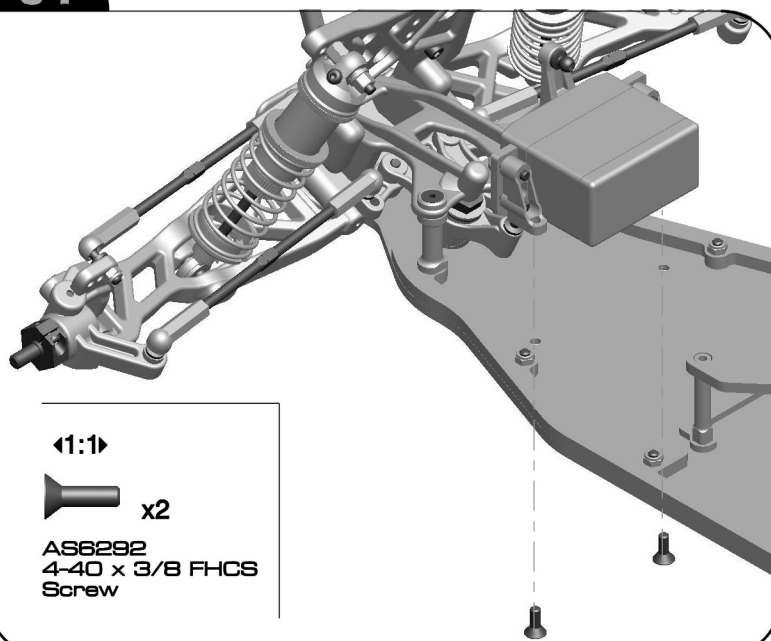
Servo Screw  
Not Included !



Steering Servo Chart

ASSOCIATED	25T	F
AIRTRONICS	23T	A
FUTABA	25T	F
HITEC	24T	H
JR PROPO	23T	J
KO PROPO	23T	J
SAVOX	25T	F
SPEKTRUM	23T	J

31



◀1:1▶



x2

AS6292  
4-40 x 3/8 FHCS  
Screw



32

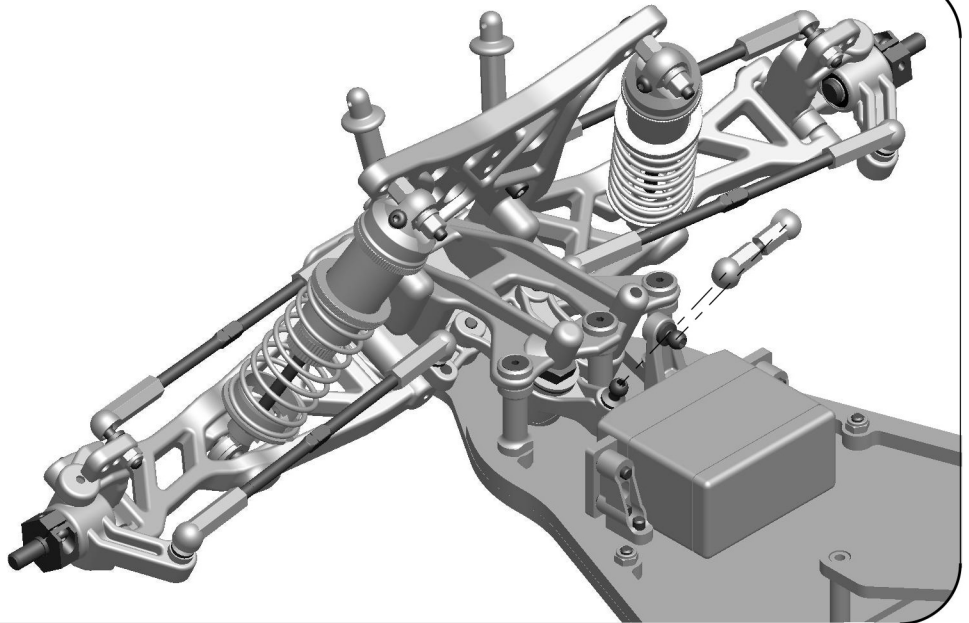
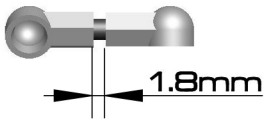
1:1

x1  
AS9170  
4-40 x 1/2  
Set Screw

1:1

x2  
AS9170  
Ball Cup  
Small

1:1



33

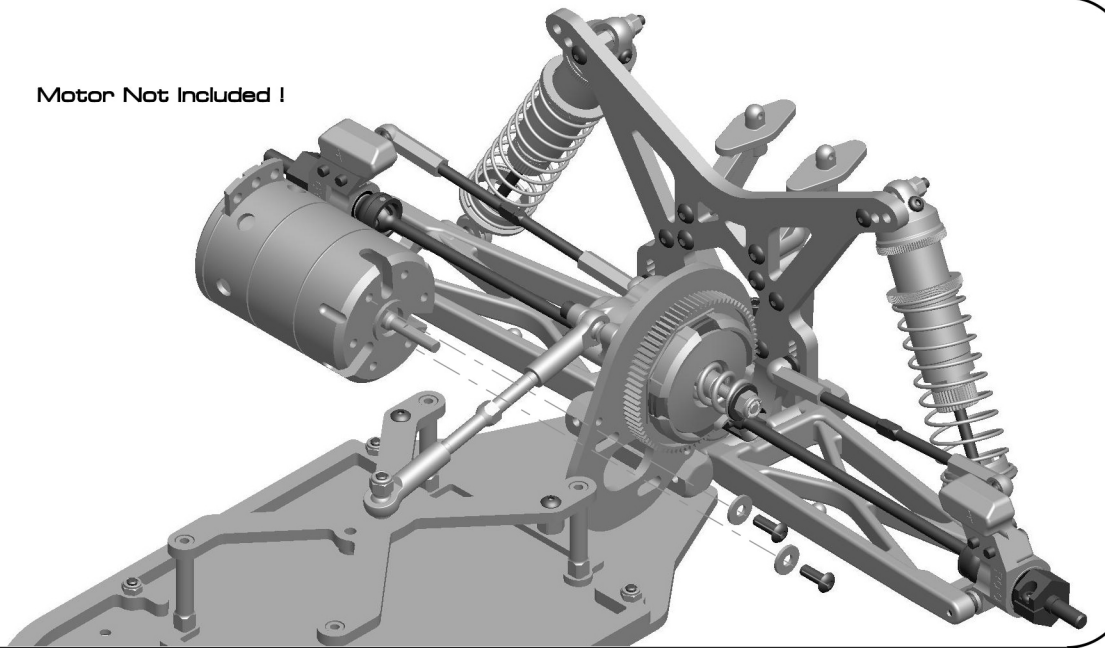
1:1

x2  
AS6936  
#4 Washer  
Aluminium

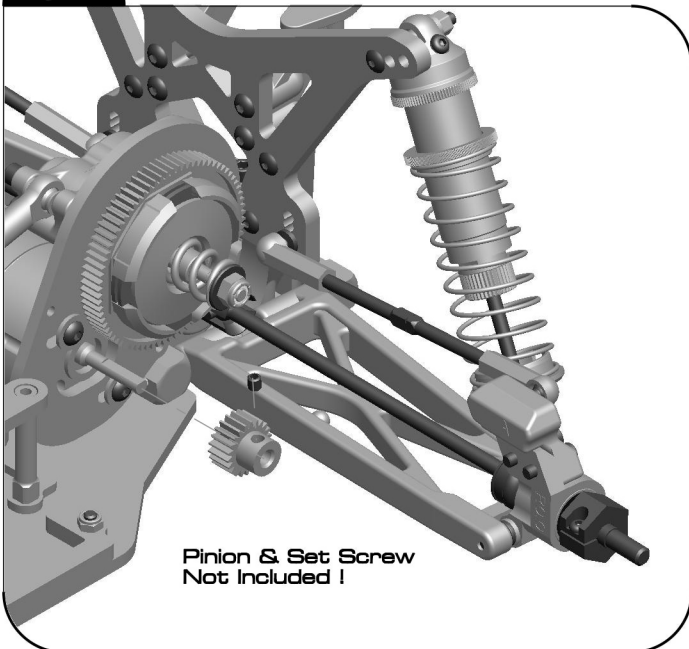
Motor Not Included !

1:1

x2  
AS31532  
M3 x 8mm BHCS  
Screw

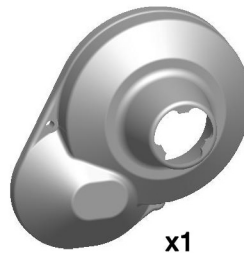


34



Pinion & Set Screw  
Not Included !

35



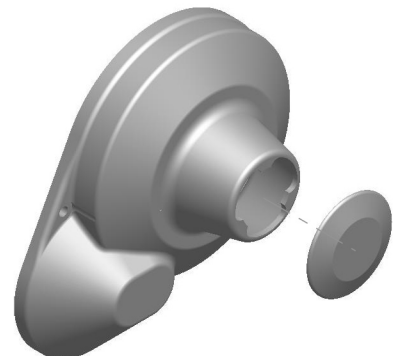
x1

AS7461  
Gear Cover  
Molded, Clear

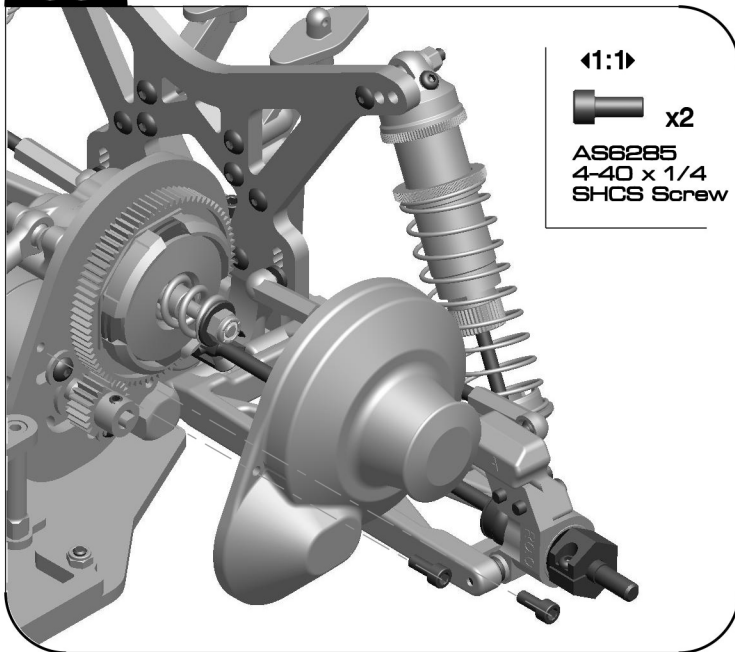


x1

AS7461  
Gear Cover  
Button



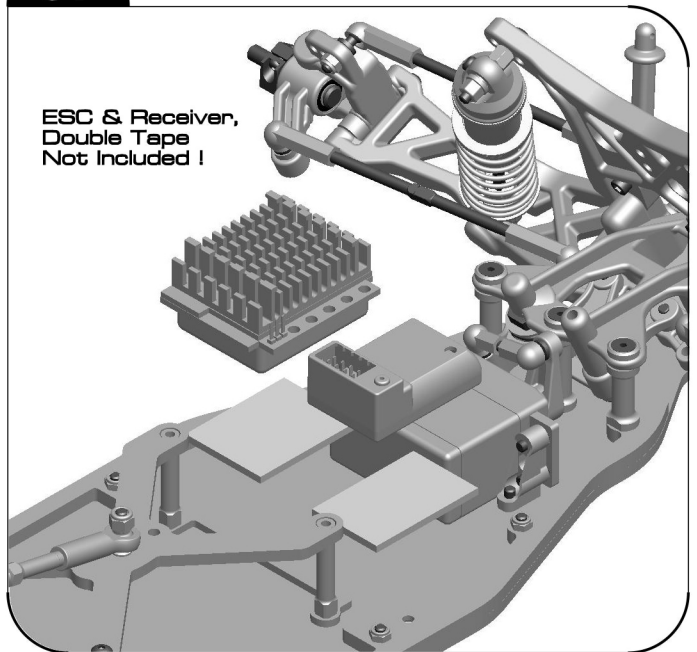
36



◀1:1▶

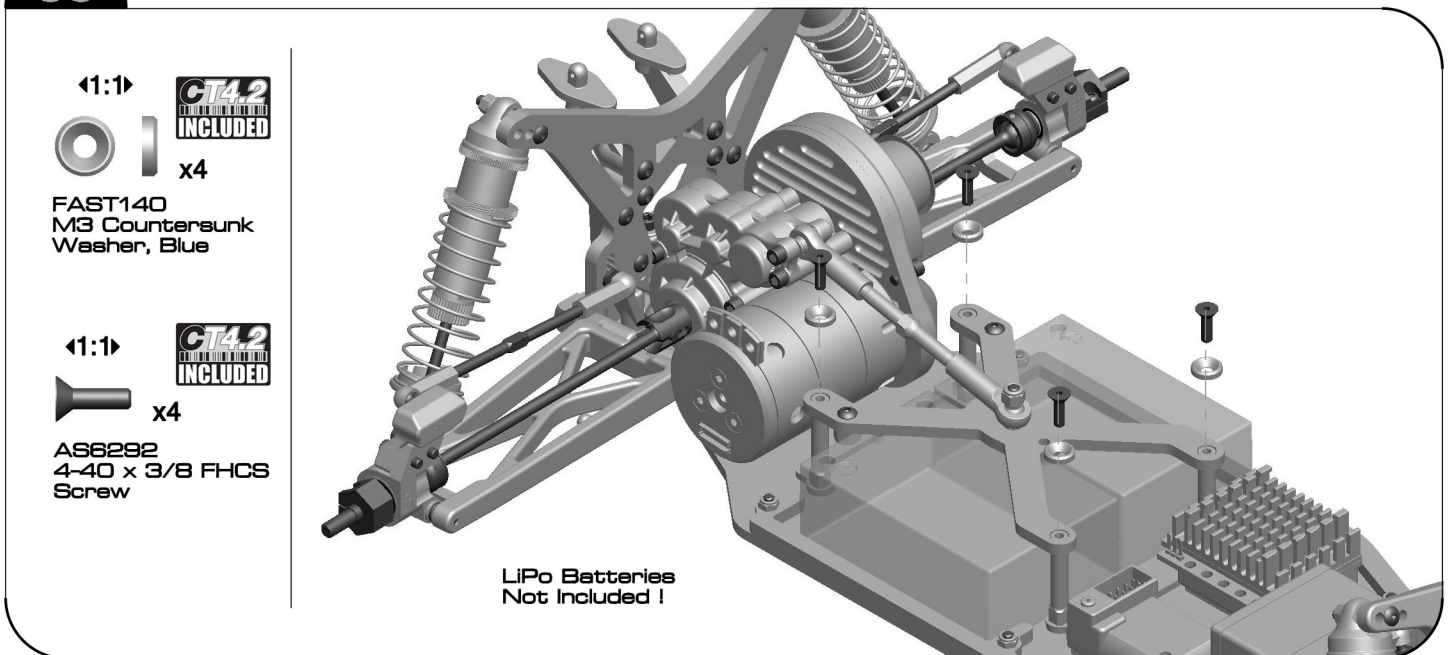
**x2**  
**AS6285**  
 4-40 x 1/4  
 SHCS Screw

37



ESC & Receiver,  
 Double Tape  
 Not Included !

38



◀1:1▶



**x4**

**FAST140**  
 M3 Countersunk  
 Washer, Blue

◀1:1▶

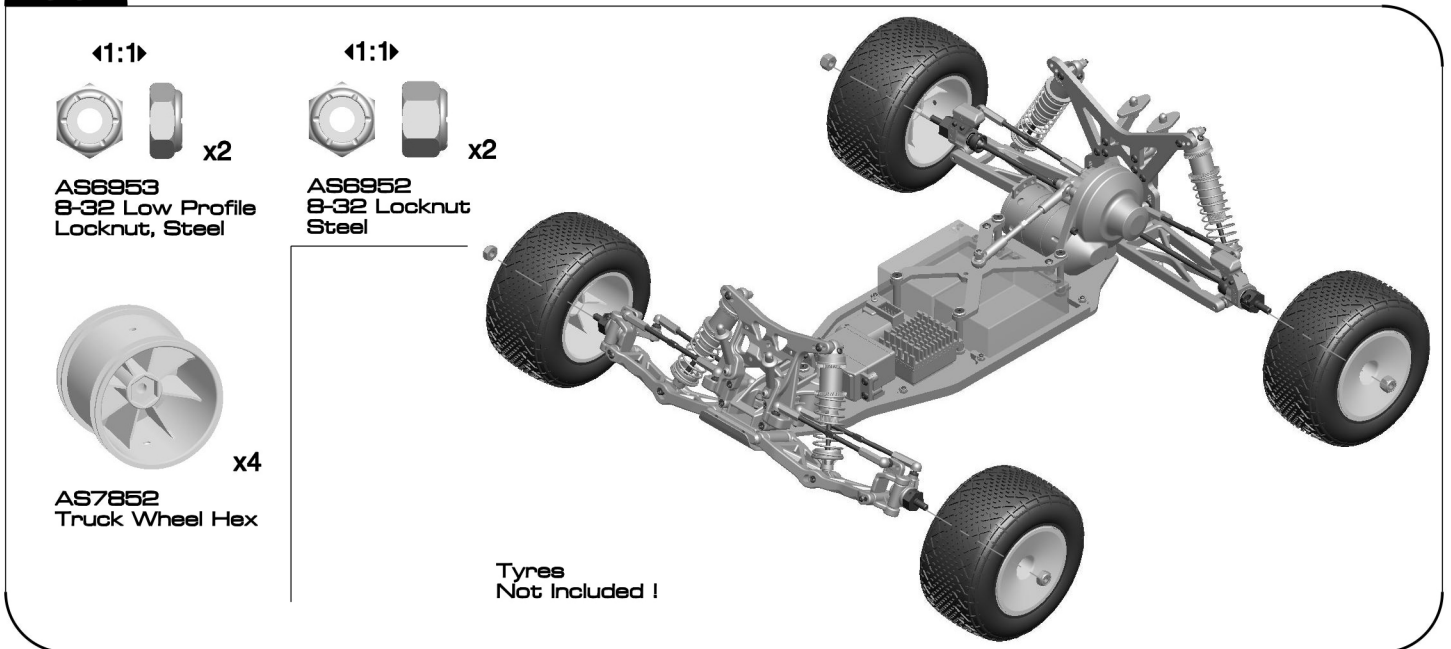


**x4**

**AS6292**  
 4-40 x 3/8 FHCS  
 Screw

LiPo Batteries  
 Not Included !

39



◀1:1▶



**x2**

**AS6953**  
 8-32 Low Profile  
 Locknut, Steel

◀1:1▶



**x2**

**AS6952**  
 8-32 Locknut  
 Steel



**x4**

**AS7852**  
 Truck Wheel Hex

Tyres  
 Not Included !

# CT4.2

## PARTS LIST

CONVERSION PARTS

 <p><b>C0090</b> C4.2/CT4.2 Front Short Chassis Brace</p>	 <p><b>C0111</b> CT4.2 Rear Body Mounts</p>	 <p><b>C0040</b> C4.2/CT4.2 Front Brass Long Chassis Posts</p>	 <p><b>C0105</b> CT4.2 Hard Aluminium Main Chassis</p>	 <p><b>C0066</b> C4.2/CT4.2 Aluminium Battery X Brace</p>
 <p><b>C0067</b> C4.2/CT4.2 Gearbox</p>	 <p><b>C0068</b> C4.2/CT4.2 Bulkhead</p>	 <p><b>C0106</b> CT4.2 Carbon Rear Shock Tower</p>	 <p><b>C0108</b> CT4.2 Carbon Chassis Side Braces</p>	 <p><b>C0071</b> C4.2/CT4.2 Aluminium Front Hinge Pin Brace</p>
 <p><b>C0072</b> C4.2/CT4.2 Aluminium Rear Hinge Pin Brace 3.0° Toe</p>	 <p><b>C0073</b> C4.2/CT4.2 Spare Hinge Pin Brace Inserts</p>	 <p><b>C0074</b> C4.2/CT4.2 Lipo Battery Posts</p>	 <p><b>C0075</b> C4.2/CT4.2 Centre Brace Turnbuckle 50mm</p>	 <p><b>C0107</b> CT4.2 Carbon Lipo Chassis Holders</p>
 <p><b>C0109</b> CT4.2 Decal Sheet</p>	 <p><b>C0115</b> CT4.2 Clear Body</p>	<p style="text-align: center;"><b>OPTION PARTS</b></p>		
 <p><b>C0032</b> C4.2/CT4.2 Brass 30g Front Bulkhead</p>				
 <p><b>C0033</b> C4.2/CT4.2 Brass 18g Front Bulkhead Brace</p>	 <p><b>C0034</b> C4.2/CT4.2 Delrin Front Bulkhead Brace</p>	 <p><b>C0035</b> C4.2/CT4.2 Brass 15g Weight</p>	 <p><b>C0036</b> C4.2/CT4.2 Brass 10g Weight</p>	 <p><b>C0037</b> C4.2/CT4.2 Brass 5g Weight</p>
 <p><b>C0039</b> C4.2/CT4.2 Brass 10g Underbellcrack Weight</p>		 <p><b>C0086</b> C4.2/CT4.2 Carbon X Brace</p>	 <p><b>C0089</b> C4.2/CT4.2 Aluminium Rear Bulkhead</p>	 <p><b>C0088</b> C4.2/CT4.2 Aluminium Rear Hinge Pin Brace 2.5° Toe</p>



# CT4.2

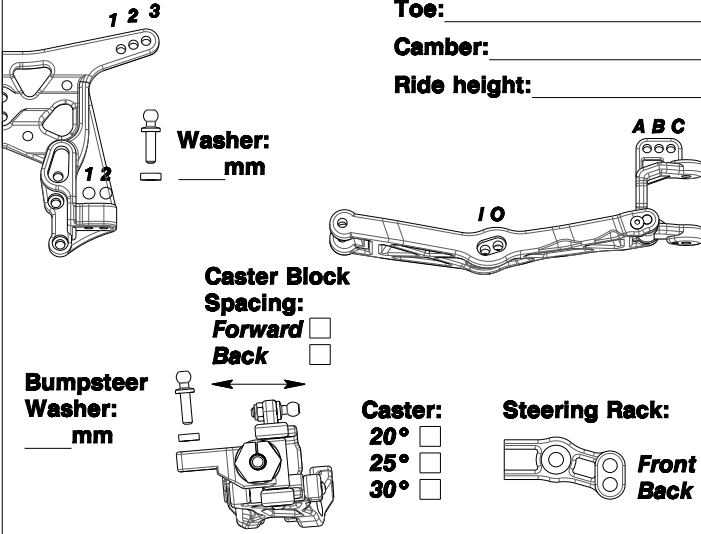


## Setup Sheet

Driver: \_\_\_\_\_  
 Date: \_\_\_\_\_  
 Surface: \_\_\_\_\_  
 Conditions: \_\_\_\_\_

Track: \_\_\_\_\_  
 Event: \_\_\_\_\_  
 Traction: \_\_\_\_\_  
 Moisture: \_\_\_\_\_ T°: \_\_\_\_\_

### Front Suspension



Toe: \_\_\_\_\_  
 Camber: \_\_\_\_\_  
 Ride height: \_\_\_\_\_

Washer: \_\_\_\_\_ mm

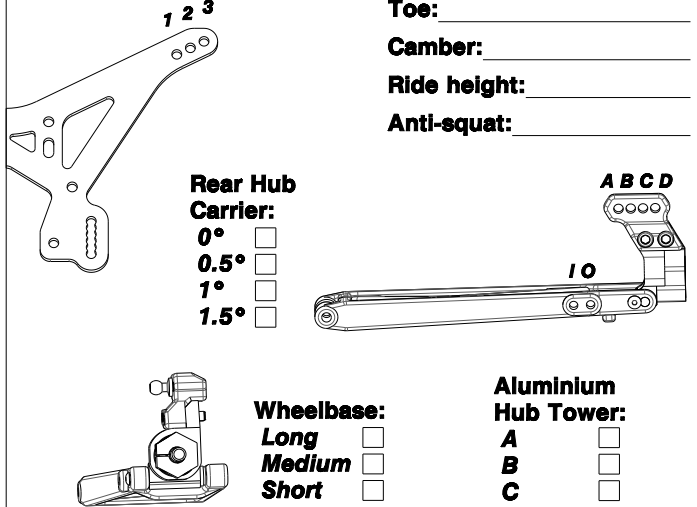
Caster Block Spacing:  
 Forward   
 Back

Bumpsteer Washer: \_\_\_\_\_ mm

Caster:  
 20°   
 25°   
 30°

Steering Rack:  
 Front   
 Back

### Rear Suspension



Toe: \_\_\_\_\_  
 Camber: \_\_\_\_\_  
 Ride height: \_\_\_\_\_  
 Anti-squat: \_\_\_\_\_


Rear Hub Carrier:  
 0°   
 0.5°   
 1°   
 1.5°

Wheelbase:  
 Long   
 Medium   
 Short

Aluminium Hub Tower:  
 A   
 B   
 C


### Front Shocks

Shock Oil: \_\_\_\_\_ Piston: \_\_\_\_\_  
 Spring: \_\_\_\_\_ Limiter: \_\_\_\_\_  
 Shock Length A: \_\_\_\_\_ mm Shock Length B: \_\_\_\_\_ mm



### Rear Shocks

Shock Oil: \_\_\_\_\_ Piston: \_\_\_\_\_  
 Spring: \_\_\_\_\_ Limiter: \_\_\_\_\_  
 Shock Length A: \_\_\_\_\_ mm Shock Length B: \_\_\_\_\_ mm



### Front Tires

Tire: \_\_\_\_\_  
 Compound: \_\_\_\_\_ Wheel: \_\_\_\_\_  
 Insert: \_\_\_\_\_

### Rear Tires

Tire: \_\_\_\_\_  
 Compound: \_\_\_\_\_ Wheel: \_\_\_\_\_  
 Insert: \_\_\_\_\_

### Electronics

Motor: \_\_\_\_\_ Wind: \_\_\_\_\_  
 Pinion: \_\_\_\_\_ Spur Gear: \_\_\_\_\_  
 Batteries: \_\_\_\_\_ Placement: \_\_\_\_\_  
 Radio: \_\_\_\_\_ Steering Servo: \_\_\_\_\_

Throttle / Brake e.p.a: \_\_\_\_\_  
 Throttle / Brake Expo: \_\_\_\_\_  
 ESC: \_\_\_\_\_ Throttle Profil: \_\_\_\_\_  
 Initial Brake: \_\_\_\_\_ Drag Brake: \_\_\_\_\_

### Body & Wing

Body: \_\_\_\_\_  
 Wing: \_\_\_\_\_ Wing Angle: \_\_\_\_\_ °  
 Comments: \_\_\_\_\_

### Differential & Slipper

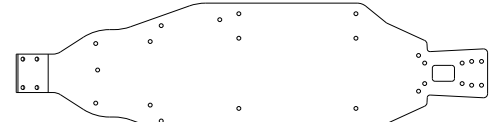
Gear Differential  Oil: \_\_\_\_\_  
 Ball Differential  Setting: \_\_\_\_\_  
 Slipper: \_\_\_\_\_ 2 Pads  3 Pads  4 Pads

### Race & Car Comments

Qualify: \_\_\_\_\_ Main: \_\_\_\_\_ Finish: \_\_\_\_\_  
 Comments: \_\_\_\_\_  
 \_\_\_\_\_  
 \_\_\_\_\_  
 \_\_\_\_\_  
 \_\_\_\_\_  
 \_\_\_\_\_

### Weight Distribution

Bulkhead: \_\_\_\_\_ Hinge Pin Brace: \_\_\_\_\_ Option Weights:  
 Plastic  Plastic  Front Posts   
 Alloy  Alloy  Ackerman   
 Brass  Brass  Under Bellcrank   
 Lipo Holders   
 Bulkhead \_\_\_\_\_ Chassis Brace  Rear Arm Mount   
 Weights:  
 5g   
 10g   
 15g



For more setups informations, visit <http://www.centro-rc.com>