

# B4/T4 SUPPLEMENTARY SHEET

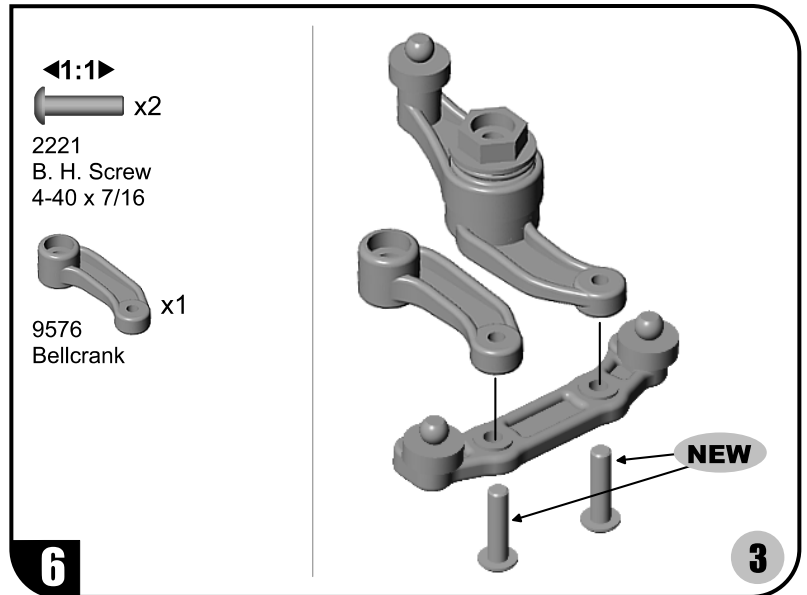
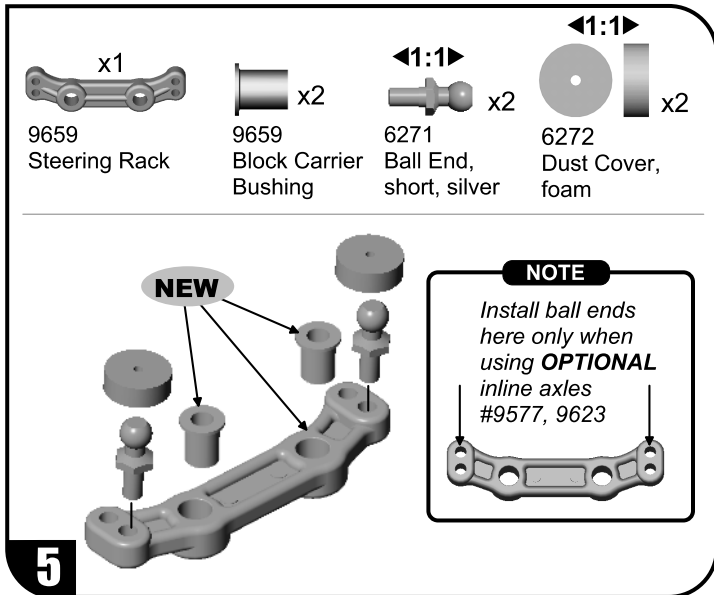
## For the RC10B4 and RC10T4

We have made changes to the instruction manual on page 3, steps 5 and 6. Please disregard those instructions and use the steps on this page.

**NEW:** #9659, Steering Rack (1), Bushing (2), 4-40 x 7/16 Screw (2), \$5.00

**NEW:** #2221, 4-40 x 7/16 Screw (6), \$2.00

**DISCONTINUED:** #9576 replaced by #9659.



**TEAM ASSOCIATED**  
3585 Cadillac Ave.  
Costa Mesa, CA 92626



phone: (714) 850-9342  
fax: (714) 850-1744  
web site: <http://www.TeamAssociated.com/>