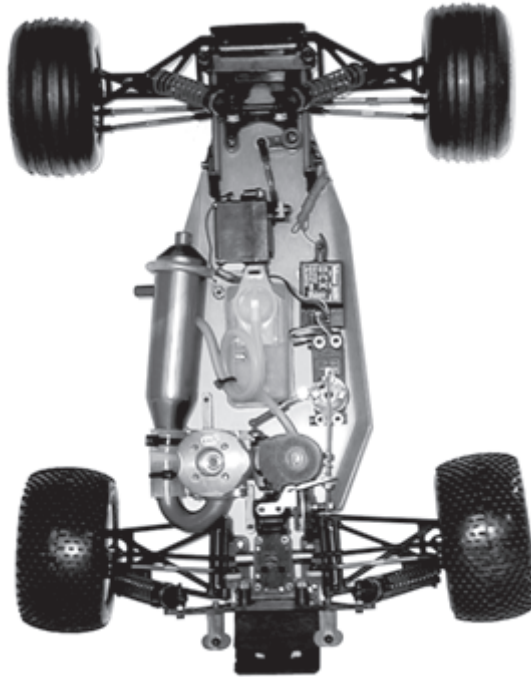


Thank you for purchasing this Team Associated product. This manual contains steps and instructions you will use to set up your gas truck. Please read this entire manual before attempting to start your gas truck. Follow the directions in this manual closely so you don't encounter any problems on start up. We hope that you will enjoy your new Team Associated gas truck kit.

RC10



FACTORY TEAM KIT

Hard anodized, Teflon-coated shocks.
MIP CVD's.
Factory Team blue titanium turnbuckles.
Pro-Line Ford F-150 racing body.
Stealth Transmission.

Also includes: New, stiffer, long wheelbase chassis.
Precision, rubber-sealed ball bearings.
Graphite front & rear shock towers.
Blue screws, blue manifold, blue tuned pipe.

TEAM GT KIT

Hard anodized, Teflon-coated shocks.
MIP CVD's.
Associated steel turnbuckles.
Pro-Line Ford F-150 racing body.
Stealth Transmission.

Also includes: New, stiffer, long wheelbase chassis.
Precision rubber-sealed ball bearings.
Tuned pipe and manifold.

GT RTR Plus

Already assembled!
Oil-filled shocks.
Associated dogbone rear axles.
Associated steel turnbuckles.
Painted truck body.
Stealth Transmission.

Also includes: .15 Associated engine and quality AM radio.
New, stiffer chassis.
Tuned pipe and manifold.

REQUIRED EQUIPMENT TO RUN YOUR KIT

for the RTR Plus #7091:

Model car fuel.
12 AA size batteries.
Small tie wraps for the air filter.

YOU WILL NEED THESE TOOLS

Small Phillips screwdriver.



Small flat head screwdriver.



5/16" driver or glow plug wrench.

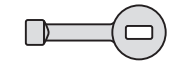
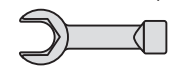


TOOLS SUPPLIED

Allen wrenches, .050",
1/16", 3/32", 5/64".



Molded tools (#6956):



for the pull start version of Factory Team kit #7061 Team Kit #7067:

Glow plug starter.
Model car fuel.
Fuel bottle.
Receiver battery pack.
Glow plugs (AE #MC-59).
R/C two channel surface
frequency radio system
with two servos.
.12 c.i. glow fuel R/C engine.

YOU WILL NEED THESE TOOLS TO ASSEMBLE YOUR KIT

- 1 Phillips screwdriver #2.
- 2 1/8" flat head screwdriver.
- 3 5/16" driver or glow plug wrench.
- 4 Needlenose pliers.
- 5 Thread locking compound (#242 Super glue (cyanoacrylic glue).
- 7 Hobby knife **WARNING!** This knife cuts plastic and fingers with equal ease, so be careful.
- 8 Precision ruler.

for the non pull start version of Factory Team kit #7060 Team Kit #7068:

Glow plug starter.
Model car fuel.
Fuel bottle.
Receiver battery pack.
Glow plugs (AE #MC-59).
Starter box or electric hand starter
with car starter donut
12 volt battery for starter system.
R/C two channel surface
frequency radio system
with two servos.
.12 c.i. glow fuel R/C engine.



WARNING!

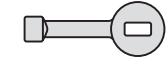
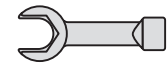
Do not use a power screwdriver to install screws into nylon, plastic, or composite materials. The fast rotation speed can heat up the screws being installed. They can then break the molded parts or strip the threads during installation.

TOOLS SUPPLIED

Allen wrenches, .050",
1/16", 3/32", 5/64".



Molded tools (#6956):



WARNING! Always use hand and eye protection with cyanoacrylic glue!



ASSOCIATED ELECTRICS, INC.
 3585 Cadillac Ave.
 Costa Mesa, CA 92626-1401
 USA
 ©2002 Associated Electrics, Inc.

CUSTOMER SUPPORT
 (714) 850-9342
 FAX (714) 850-1744
 web site: <http://www.rc10.com>

READ THIS BEFORE BUILDING

READ THE MANUAL!
 This manual is for three different GT kits and will help you assemble and set up each one. Read the manual before starting your kit and before contacting us for help. "Hello, Associated, I need some help." "Did you read the manual?"

OPEN THE BAGS IN ORDER
 The assembly is arranged so that you will open and finish that bag before you go on to the next bag. **Sometimes you will have parts remaining at the end of a bag. These will become part of the next bag.** Some bags may have a large amount of small parts. To make it easier to find the parts, we recommend using a partitioned paper plate for spreading out the parts so they will be easier to find.

SUPPLEMENTAL SHEETS
 We are constantly updating parts to improve our kits. These changes, if any, will be noted in supplementary sheets located in a parts bag or inside the kit box. Check the kit box before you start and each bag as it is opened. When a supplement is found, attach it to the appropriate section of

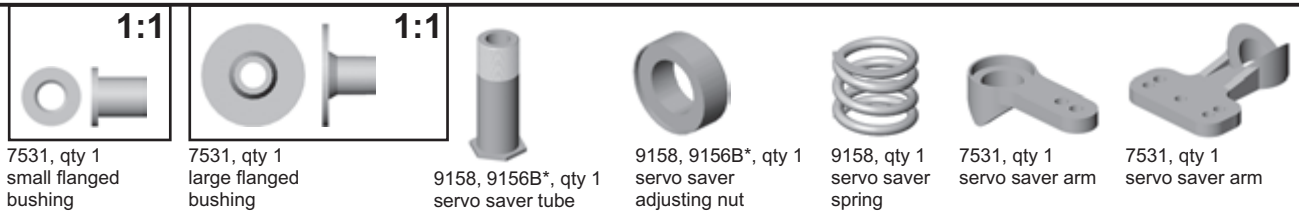
MANUAL FORMAT
 The following explains the format of these instructions.
The beginning of each section indicates:

- 1 Which bag to open ("**BAG A**") and which steps you'll be using those parts for ("**FOR STEPS 1-3**").
- 2 Which parts you will use for those steps. Remove only the parts shown. "**1:1**" indicates an actual size drawing; place your part on top and compare it so it does not get confused with a similar part.
- 3 Which tools you should have handy for that section.
- 4 An asterix (*) next to a part number indicates the part used in the Factory Team kits *7060 & 7067. (You can use those numbers to upgrade your Team kit and RTR.)
- 5 The instructions in each step are ordered in the order you complete them, so read the words AND follow the pictures. The numbers in circles are also in the drawing to help you locate them faster.
- 6 When we refer to left and right sides of the truck, we are referring to the driver's point of view inside the car.

To further clarify the manual, we have used the following designations:
RTR+ = Part or step is unique to #7091 Ready To Run.
TEAM BUILT = Part or step unique to the Team Built trucks.
TEAM/FT = Part or step is unique to Team and Factory Team kits

BAG A

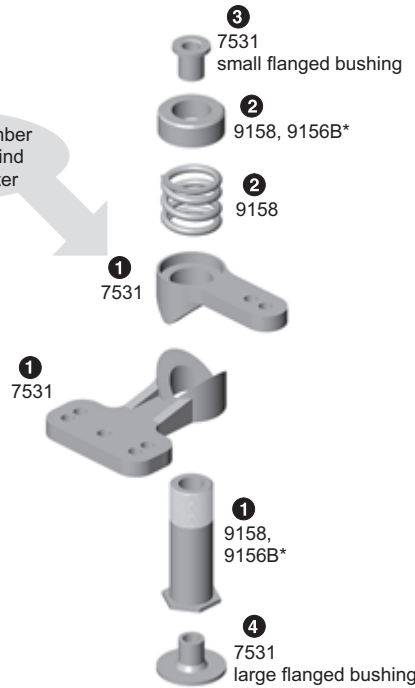
REMOVE THESE PARTS FOR:
 Step 1



step 1

- SERVO SAVER ASSEMBLY**
- 1 Slide the two #7531 saver arms onto the #9158 tube. Orient the servo arm as shown.
 - 2 Slide the #9157 spring and the #9158 (9156*) adjusting nut on the tube. Tighten the nut until it is even with the top.
 - 3 Push the #7531 small flanged bushing into the top of the #9158 (9156*) tube.
 - 4 Push the #7531 large flanged bushing into the bottom of the #9158 (9156*) tube.

Match this number to the text to find your way faster

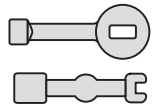


* Asterix denotes Factory Team part number. Use this part number if you have the Factory Team kit #7060 or #7067.

Also use this part number if you wish to upgrade your Team kit, Team Built, or RTR truck with titanium, graphite or lightweight aluminum parts.

BAG A

TOOLS USED



REMOVE THESE PARTS FOR:
Steps 2-4



6270, qty 5
short ball end



6272, qty 5
ball end dust cover



7531, qty 1
servo saver bellcrank



6265, qty 1
drag link



7306, qty 1
long servo saver screw



7306, qty 1
short servo saver screw



6222, qty 2
nylon locknut

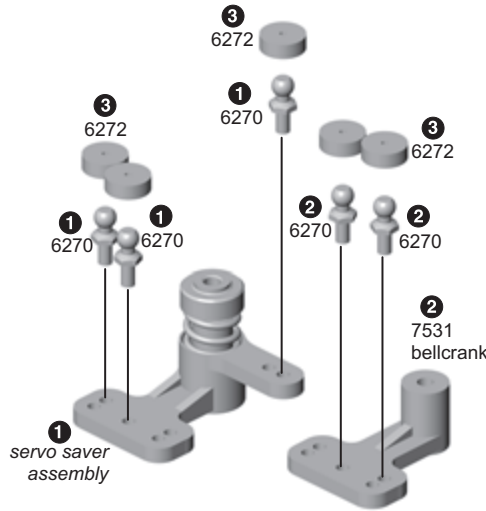


8182, qty 2
plain nut

step 2

SERVO SAVER ASSEMBLY

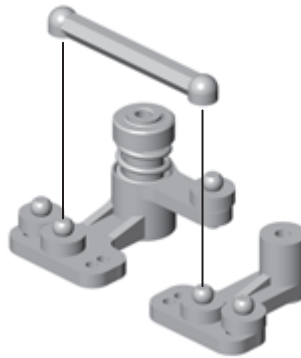
- 1 Install the three #6270 short ball ends into the servo saver arms as shown.
- 2 Install the two #6270 short ball ends into the #7531 bellcrank as shown.
- 3 Add the #6272 foam dust covers to the ball ends.



step 3

SERVO SAVER ASSEMBLY

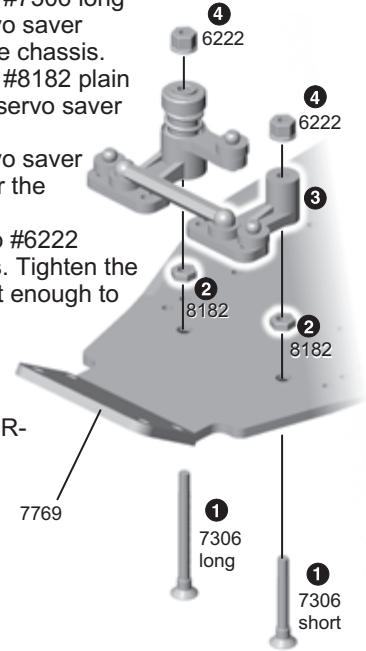
Snap the #6265 drag link onto the two inner ball ends.



step 4

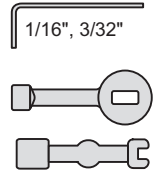
SERVO SAVER INSTALLATION

- 1 Install the two #7306 long and short servo saver screws into the chassis.
- 2 Install the two #8182 plain nuts onto the servo saver screws.
- 3 Place the servo saver assembly over the two screws.
- 4 Thread on two #6222 nylon locknuts. Tighten the nuts down just enough to remove any play up and down in the assembly, but DO NOT OVERTIGHTEN.



BAG B

TOOLS USED



REMOVE THESE PARTS FOR:
Steps 1-6



6299, qty 4
e-clip



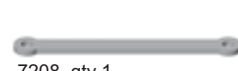
7209, qty 2
front inner hinge pin



7206, qty 2
left and right front a-arms



7207, qty 1
front bulkhead



7208, qty 1
aluminum bulkhead support

Step 2



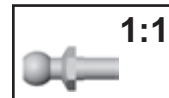
6295, qty 2
plain nut



6936, qty 2
#4 flat washer



7260, qty 2
plain nut



6270, qty 2
short ball end



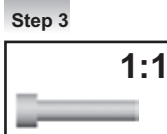
6272, qty 2
ball end dust cover



6927, qty 2
4-40 x 3/4 SHCScrew



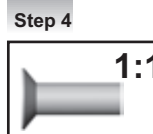
7215, 7216*, qty 1
front shock tower



6925, qty 2
4-40 x 1/2 SHCScrew



7838*, qty 2
4-40 x 7/16 SHCScrew



6280, 6942*, qty 4
8-32 x 1/2 FHScrew



7774, qty 1
front bumper



7673, qty 4
4-40 x 5/16 FHScrew

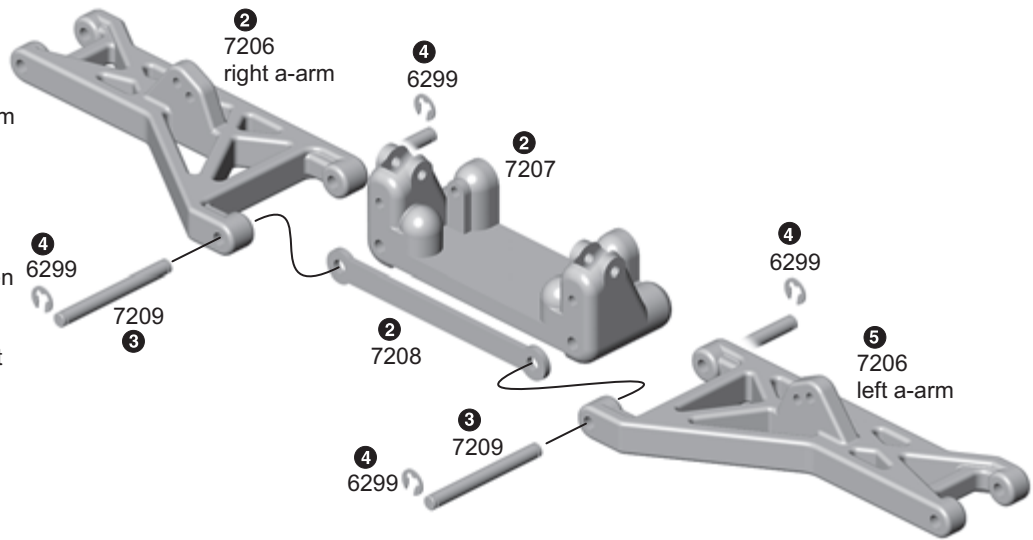


7314, qty 2
nose tube mount
(left and right)

step 1

FRONT ARM ASSEMBLY

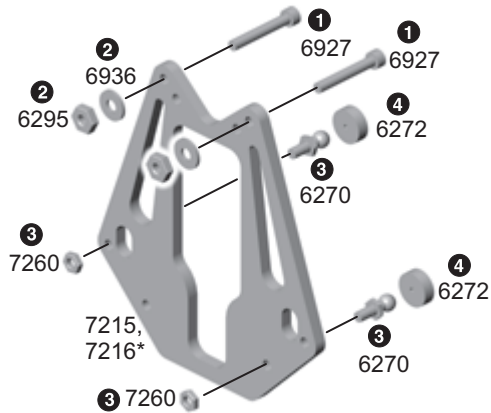
- 1 Twist the #7206 front suspension arms from the mold runners with your pliers. Trim away any remaining molding with your hobby knife.
- 2 Align the left #7206 front a-arm with the #7207 front bulkhead. Now line up the #7208 aluminum bulkhead support between the front side of the bulkhead and the a-arm.
- 3 Slide the #7209 hinge pin through the front a-arm, arm support and bulkhead.
- 4 Add the two #6299 E-clips to the #7209 hinge pin.
- 5 Repeat steps 2-4 for the right side.



step 2

FRONT SHOCK TOWER

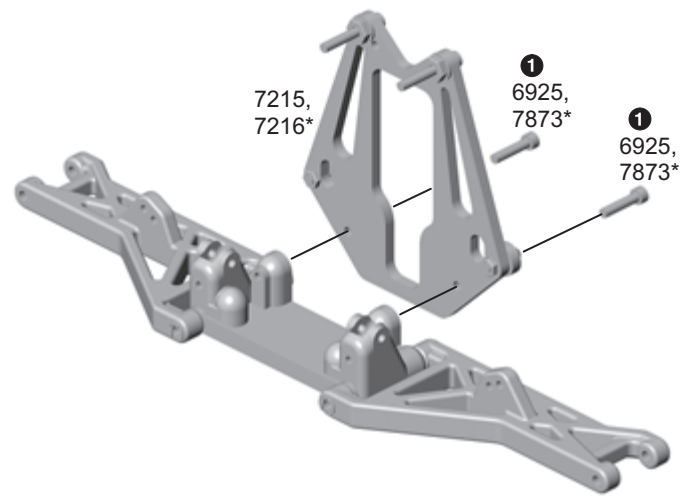
- 1 Install the two #6927 screws through the outer holes on the #7215 (7216*) front shock tower.
- 2 Slide two #6936 washers onto the screws. Then thread on the #6295 large plain nuts.
- 3 Attach the #6270 ball end and #7260 small plain nuts through the hole as shown.
- 4 Add #6272 foam dust covers to the ball ends.



step 3

ATTACH FRONT SHOCK TOWER

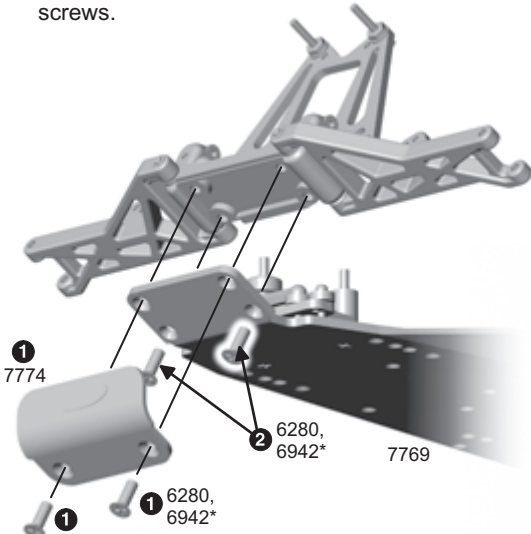
- 1 Attach the #7215 (7216*) front shock tower assembly to the front bulkhead with two #6925 (7873*) screws.



step 4

ATTACH FRONT ASSEMBLY

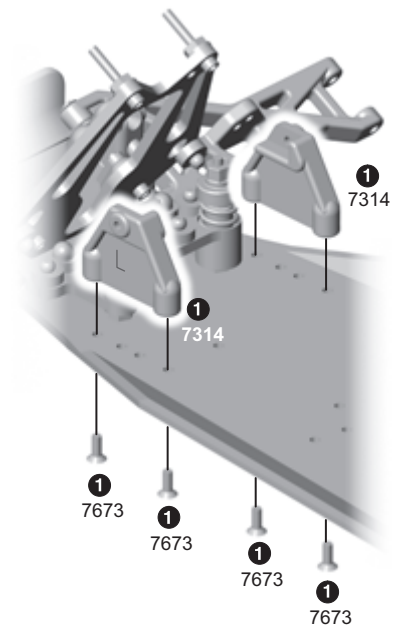
- 1 Attach the front end assembly to the 7769 chassis with two #6280 (6942*) screws.
- 2 Attach the front bumper with two #6280 (6942*) screws.



step 5

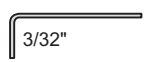
NOSE TUBE MOUNTS

- 1 Attach the #7314 nose tube mounts with four #7673 screws, the one marked "L" on the left and "R" on the right.



BAG B

TOOLS USED



REMOVE THESE PARTS FOR: Step 6



7874, 7873*, qty 2
4-40 x 7/16 screw



6932, 6933*, qty 2
4-40 x 5/16 screw

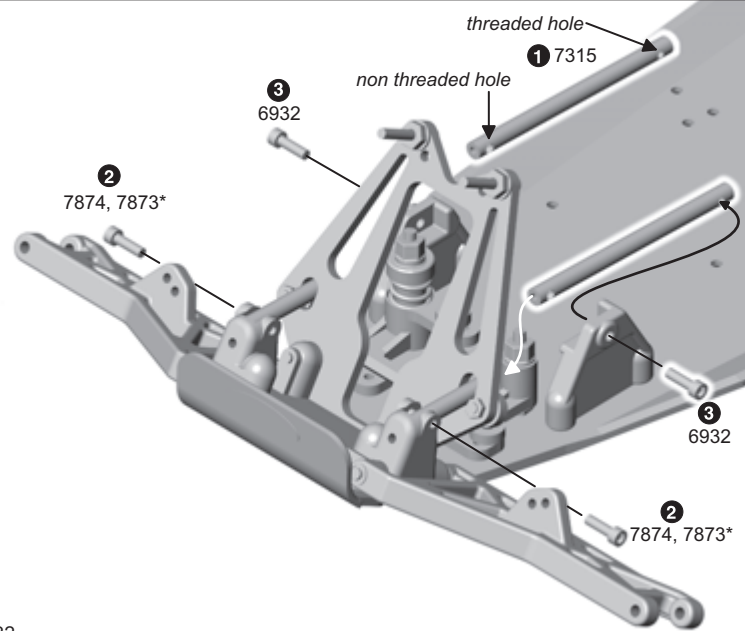


7315, qty 2
blue nose brace tube

step 6

NOSE BRACE TUBES

- The #7315 nose tube has threaded holes and non-threaded holes through its sides. Slide the #7315 front nose tube's unthreaded hole end through the front shock tower's oval shaped holes.
- Install one #7874 (7873*) screw through the bulkhead and through the nose tube, but do not tighten it down all the way.
- Line up the back hole in the nose tube to the nose tube mount. Install one #6932 screw from the outside as shown. Now tighten down the front screws.



ASSEMBLED



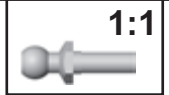
7874, 7873* 2 6932 3

BAG C

TOOLS USED



REMOVE THESE PARTS FOR: Steps 1-2



6273, qty 4
long ball end



6936, qty 4
#4 washer



6221, qty 2
steering block arm
(left arm shown)



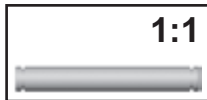
7260, qty 4
small plain nut



6220, 6220B*, qty 2
front axle



6210, qty 2
steering (caster) block
(left block shown)



6223, qty 2
kingpin



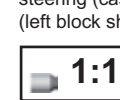
6299, qty 8
E-clip



6272, qty 4
ball end dust cover



6227, qty 2
front outer hinge pin



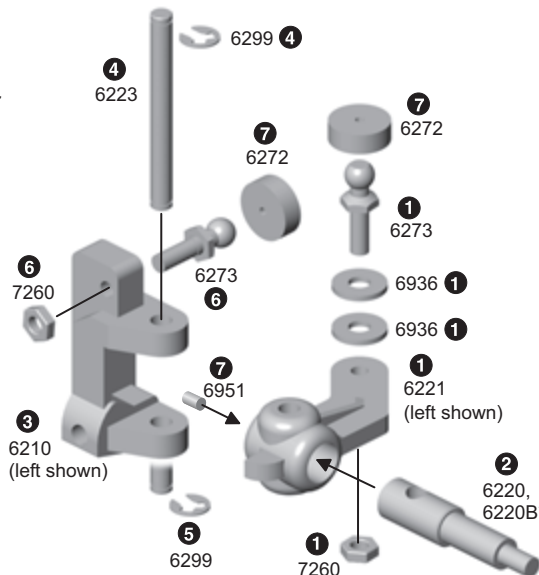
6951, qty 2
4-40 x 1/8" set screw

step 1

STEERING (CASTER) BLOCK ASSEMBLY

- Attach the #6273 ball end to the #6221 steering block with two #6936 washers. Thread a #7260 plain nut on the opposite side.

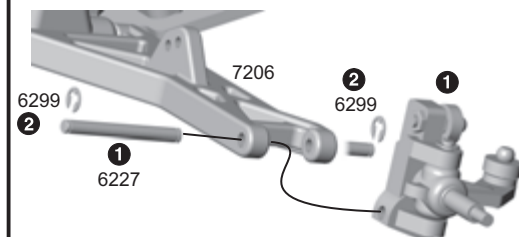
- Push the #6220 (6220B*) axle into the #6221 steering block, lining up the holes.
- Now locate the left #6210 caster block and align the holes of the steering block assembly and caster block.
- Add a #6299 E-clip to one end of the #6223 kingpin and insert it through both blocks.
- Add a #6299 E-clip to the other side of the #6223 kingpin.
- Attach the #6273 ball end to the caster block as shown. Thread one #7260 plain nut on the opposite side.
- Add #6272 foam dust covers to the ball ends. Tighten the #6951 set screw against the kingpin.
- Now do the right block.



step 2

CASTER BLOCKS TO ARMS

- Attach one caster block assembly to the #7206 a-arm with a #6227 hinge pin.
- Add A #6299 E-clip to both sides.
- Now assemble the other side.



BAG D

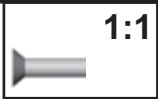
TOOLS USED

1/16", 5/64"

REMOVE THESE PARTS FOR: Step 1



7773, qty 4
6-32 x 3/8 screw



6292, qty 2
4-40 x 3/8 screw



7770, qty 1
non pull start engine mount

7771, qty 1
pull start engine mount

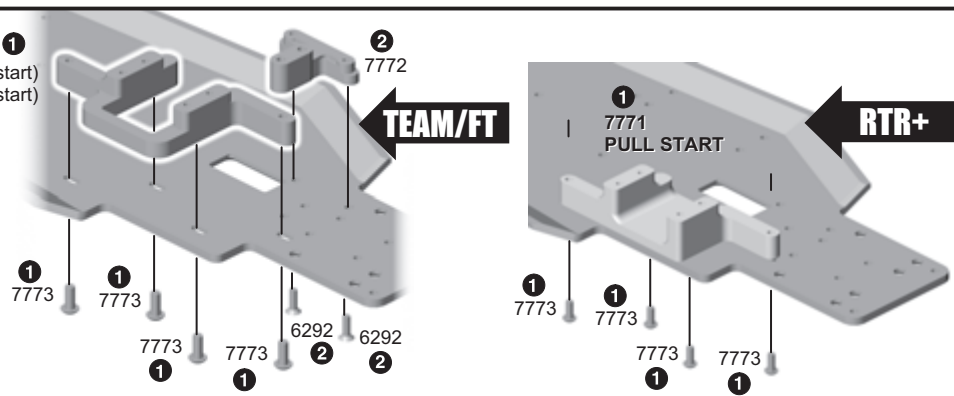


TEAM/FT ONLY
7772, qty 1
transmission mount

step 1

ATTACH MOUNTS

- TEAM/FT:** Attach the #7770 or 7771 engine mount to the chassis with four #7773 screws.
RTR+: Attach the #7771 engine mount to the chassis with four #7773 screws.
- ALL:** Do not fully tighten down. You will tighten them down when you set your gear mesh.
- TEAM/FT:** Attach the #7772 transmission mount/ brace to the chassis with two #6292 screws.



BAG E

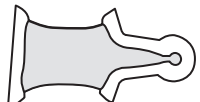
TOOLS USED

5/64"

REMOVE THESE PARTS FOR: Steps 1-3



6581, qty 12
large diff ball



6591, qty 1
Stealth lube



7664, qty 1
2.60:1 diff gear



TEAM/FT 6589, qty 1
5/32 x 5/16 ball bearing unflanged



RTR+TEAM BUILT 6597, qty 1
5/32 x 5/16 bushing unflanged

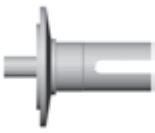
Step 2



6575, qty 1
T-nut



6582, qty 1
diff spring



7668, qty 1
left outdrive hub

Step 3



6574, qty 6
small diff ball



6575, qty 1
bolt cover



6575, qty 1
diff bolt



6573, qty 2
washer



6588, qty 1
black grease

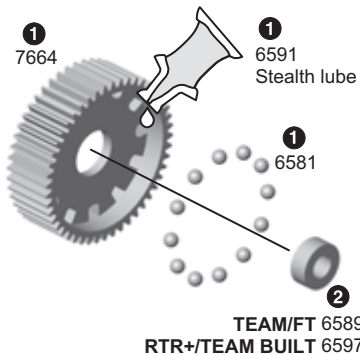


7667, qty 1
right outdrive hub

step 1

SET UP DIFF GEAR

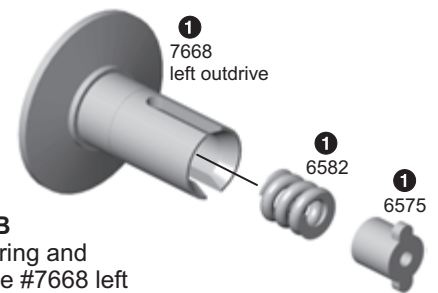
- Add a generous amount of #6591 diff lube to the #7664 differential gear holes and push the twelve large #6581 diff balls into the holes. Then push back in the lube that came out.
- Insert one #6589 bearing or #6597 bushing into the gear.



step 2

SET UP LEFT HUB

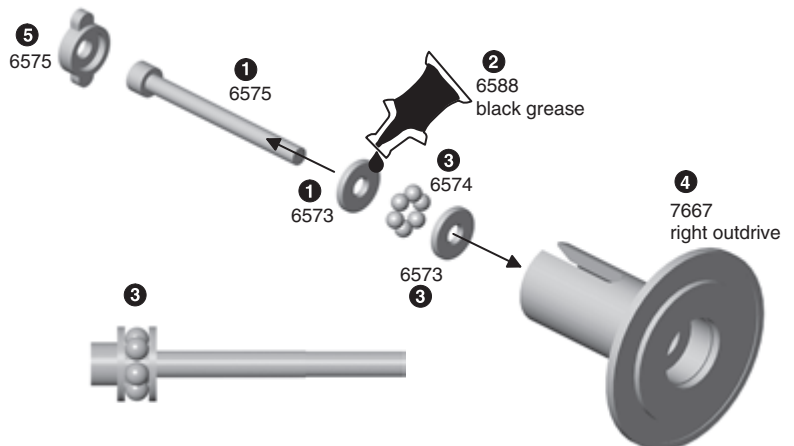
- Push the #6582 spring and #6575 T-nut into the #7668 left outdrive.



step 3

SET UP RIGHT HUB

- Slide one #6573 washer onto the #6575 bolt.
- Apply a generous amount of #6588 black grease to the washer on the side facing away from the bolt head.
- Place six #6574 balls into grease against the #6575 bolt and washer. Add the other #6575 washer. The grease will hold the balls in place during assembly, sandwiched between the washers. See figure for installed view.
- Slide the thrust assembly into the #7667 right outdrive hub, being careful not to lose any of the balls.
- Insert the #6575 bolt cover into the #7667 outdrive.



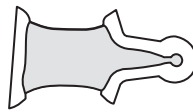
Step 4



TEAM/FT 6589, qty 1
5/32 x 5/16 ball bearing
unflanged



RTR+/TB 6597, qty 1
5/32 x 5/16 bushing
unflanged

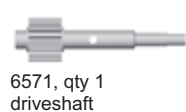


6591, qty 1
Stealth lube



7666, qty 2
diff drive ring

Step 5



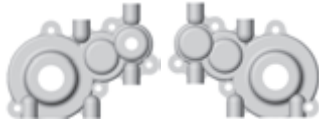
6571, qty 1
driveshaft



6570, qty 1
idler gear

5/64"

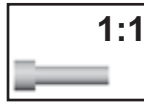
Step 5



7661, qty 1
transmission case,
left & right



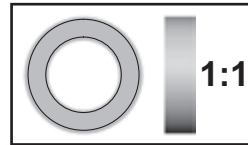
7669, qty 2
spacer



6924, 6860*, qty 5
4-40 x 3/8 screw



7665, qty 1
roll pin



3976, qty 2
3/8 x 5/8 ball bearing
unflanged



3977, qty 4
3/16 x 3/8 ball bearing
unflanged

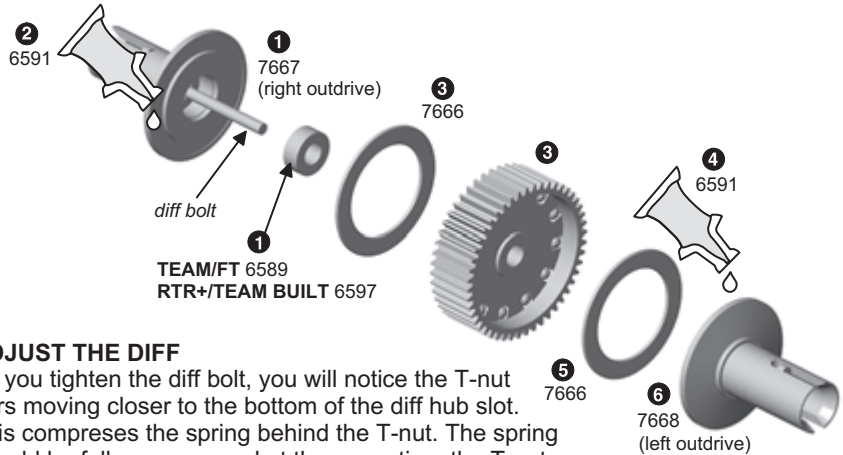
step 4

ASSEMBLE HUBS

- 1 Insert one #6589 bearing or #6597 bushing into the #7667 right outdrive.
- 2 Add a light coat of #6591 Stealth lube to the recessed area of the face.
- 3 Place a #7666 diff drive ring and then the gear assembly on the outdrive.
- 4 Add a light coat of #6591 Stealth lube to the #7668 left outdrive recessed area of the face.
- 5 Place a #7666 diff drive ring on the outdrive.
- 6 Push the #7668 left outdrive assembly against the other side of the gear.

CHECK ALIGNMENT OF HUBS

- 7 Tighten the diff bolt with your 5/64 Allen wrench, but not completely.
- 8 Rotate the diff hubs several times as you are tightening the bolt to check proper alignment of the parts. **READ STEPS 9-11 CAREFULLY.**



ADJUST THE DIFF

- 9 As you tighten the diff bolt, you will notice the T-nut ears moving closer to the bottom of the diff hub slot. This compresses the spring behind the T-nut. The spring should be fully compressed at the same time the T-nut reaches the end of the slot. **CAUTION:** Pay close attention to feeling when the spring is fully compressed. **Do not overtighten the bolt.**
- 10 When you feel the spring fully compressed, loosen the diff bolt 1/8 of a turn. No more, no less. Your diff should feel smooth when turning the hubs in opposite directions.
- 11 After you have driven the truck once, recheck the diff adjustment.

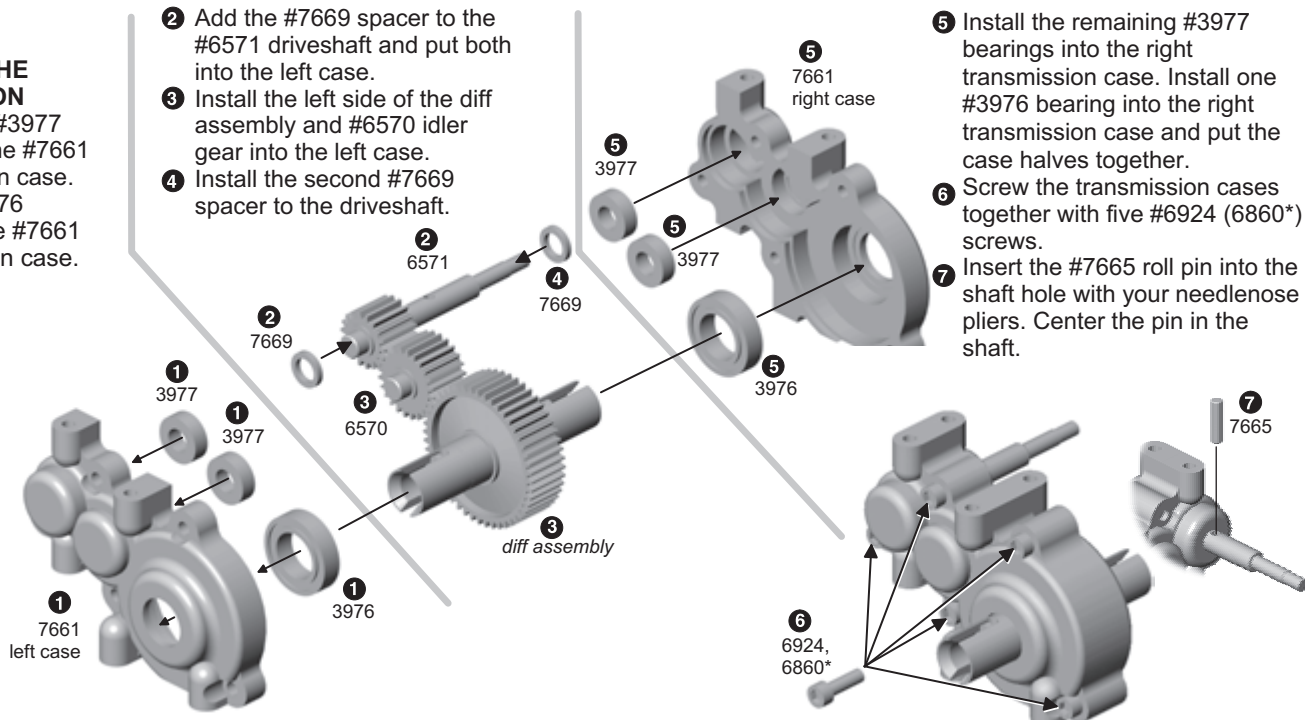
step 5

ASSEMBLE THE TRANSMISSION

- 1 Install the two #3977 bearings into the #7661 left transmission case. Install one #3976 bearing into the #7661 left transmission case.

- 2 Add the #7669 spacer to the #6571 driveshaft and put both into the left case.
- 3 Install the left side of the diff assembly and #6570 idler gear into the left case.
- 4 Install the second #7669 spacer to the driveshaft.

- 5 Install the remaining #3977 bearings into the right transmission case. Install one #3976 bearing into the right transmission case and put the case halves together.
- 6 Screw the transmission cases together with five #6924 (6860*) screws.
- 7 Insert the #7665 roll pin into the shaft hole with your needlenose pliers. Center the pin in the shaft.



Step 1

REMOVE THESE PARTS FOR: Steps 1-4



7554, 7561B*, qty 1
brake adapter



9251, qty 1
inner torque
clutch hub



7553, qty 1
brake disc



6599, qty 1
3/16 x 3/8 bushing
unflanged



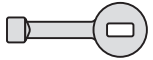
9253, qty 1
clutch disc



9252, qty 1
outer hub

TOOLS USED

1/16", 3/32"



6594, qty 2
thin washer
silver color



6594, qty 1
thick spacer
gold color



6587, qty 1
torque control spring



6629, qty 1
5-40 locknut

Step 3



7551, qty 1
brake bracket



7552, qty 1
brake shoe

Step 4



6919, qty 2
4-40 x 5/16 screw

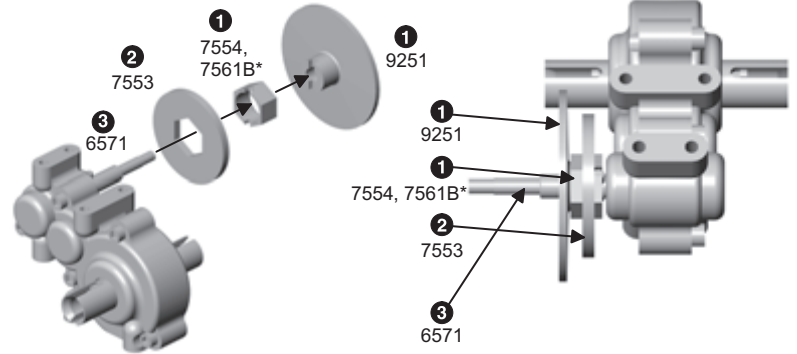


4145*, qty 2
4-40 x 5/16 screw

step 1

ASSEMBLE BRAKE ADAPTER

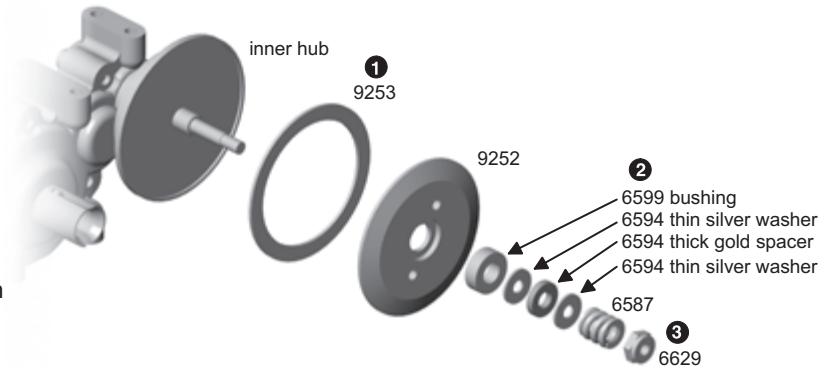
- 1 Install the #7554 (7561B*) brake adapter onto the #9251 inner torque clutch hub with the notches lining up.
- 2 Install the #7553 brake disc onto the #7554 brake adapter.
- 3 Slide the brake disc assembly onto the #6571 driveshaft, lining up the pin with the notches on the hub and brake adapter.



step 2

ASSEMBLE TORQUE CONTROL

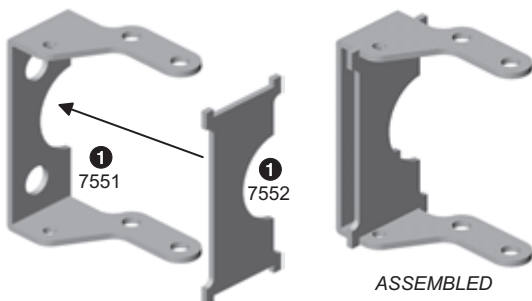
- 1 Install the #9253 clutch disc into the inner hub, then add the #9252 outer hub and #6599 bushing.
- 2 Install parts in the following order: #6594 thin silver washer, #6594 thick gold spacer, #6594 thin silver washer and #6587 black spring.
- 3 Thread on the #6629 locknut and tighten it down so the end of the shaft is flush with the end of the nut.



step 3

BRAKE BRACKET

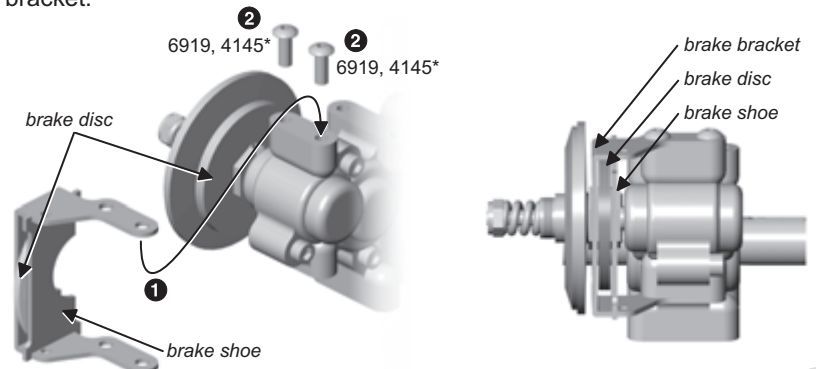
- 1 Slide the #7552 brake shoe onto the #7551 brake bracket so that the side with the rounded notch in the center is on the same side as the matching notch in the brake bracket.



step 4

INSTALL BRAKE BRACKET

- 1 Slide the brake bracket assembly onto the transmission. Make sure the brake disc is centered between the brake bracket and brake shoe as shown.
- 2 Secure the bracket to the transmission as shown, using two #6919 (4145*, different head type than shown in figure) screws in the top holes of the brake bracket.



ASSEMBLED

1/16"

Step 5



7556, qty 1
brake cam clip

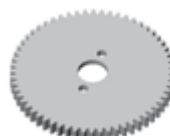


7555, qty 1
brake cam

Step 6



6568, qty 2
4-40 x 3/16 screw



7663, qty 1
spur gear
66 tooth, 32 pitch

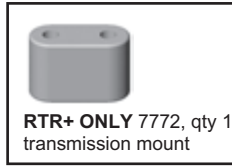
Step 7



7672, qty 2
4-40 x 7/8 screw



6292, 6934*, qty 4
4-40 x 3/8 screw

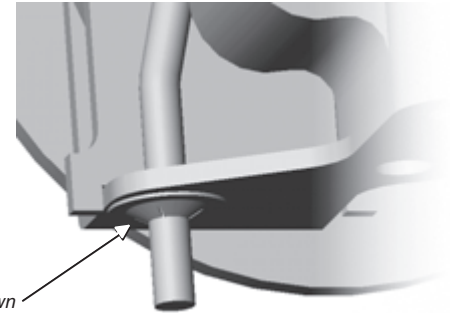
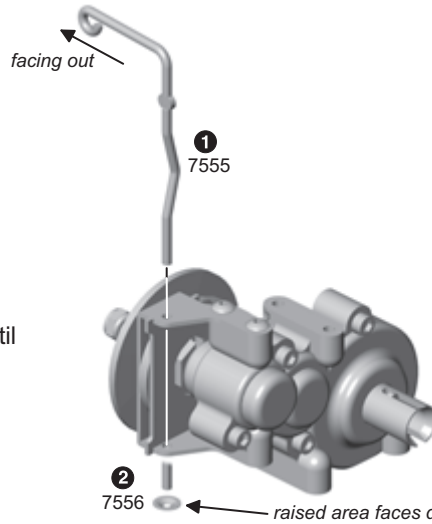


RTR+ ONLY 7772, qty 1
transmission mount

step 5

INSTALL BRAKE CAM

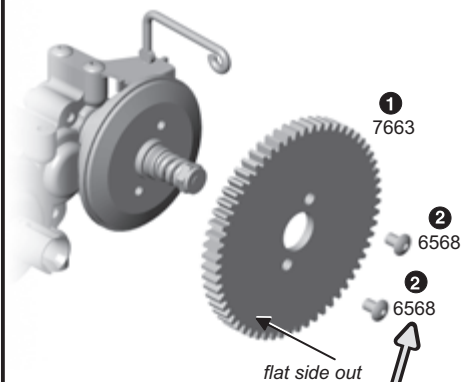
- 1 Push the #7555 disc brake cam through the hole on the top side of the bracket and then through the hole in the lower end of the bracket. Make sure the brake cam is facing out.
- 2 **WARNING: The brake cam clips are designed to be installed and not easily removed. Take your time and do it right.** Install the #7556 brake cam clip onto the cam until it almost touches the brake bracket. **Make sure the clip is put on with the raised center hole away from the bracket.**



step 6

INSTALL SPUR GEAR

- 1 Slide the #7663 spur gear onto the outer slipper hub, with the gear's flat side out.
- 2 Tighten down the spur gear with two #6568 screws.



RACERS TIP

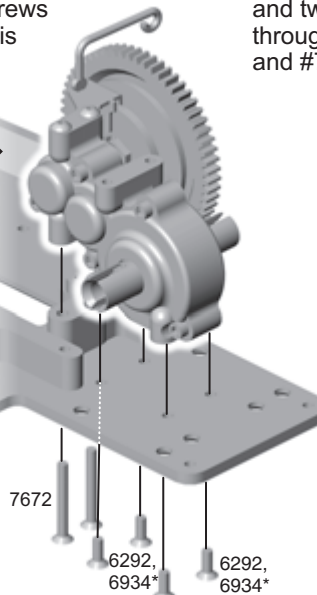
Use #1596 Associated locking adhesive on the two #6568 screws

step 7

MOUNT TRANSMISSION TEAM/FT:

Mount your transmission with four #6292 (6934*) screws through the chassis and two #7672 screws through the chassis and mount.

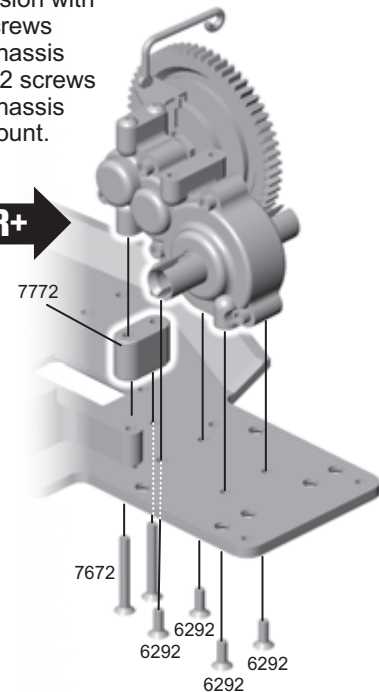
TEAM/FT



MOUNT TRANSMISSION RTR+ ONLY:

Mount your transmission with four #6292 screws through the chassis and two #7672 screws through the chassis and #7772 mount.

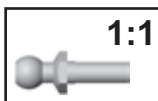
RTR+



BAG G

Step 1

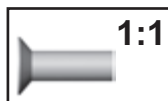
REMOVE THESE PARTS FOR: Steps 1-4



6273, qty 2
long ball end



7260, qty 2
plain nut



6280, 6942*, qty 2
8-32 x 1/2 screw

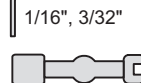


7526, qty 1
rear bulkhead



6272, qty 2
dust cover

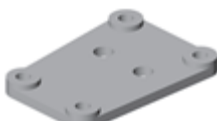
TOOLS USED



Step 2



6924, 6860*, qty 4
4-40 x 3/8 screw



7670, qty 1
transmission brace

Step 3



6924, 6860*, qty 4
4-40 x 3/8 screw



7260, qty 2
plain nut



6927, qty 2
4-40 x 3/4 screw

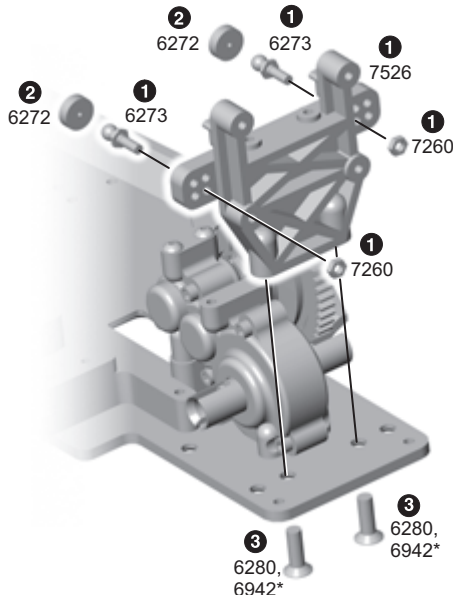


7654, 7656*, qty 1
rear shock tower

step 1

SET UP REAR BULKHEAD

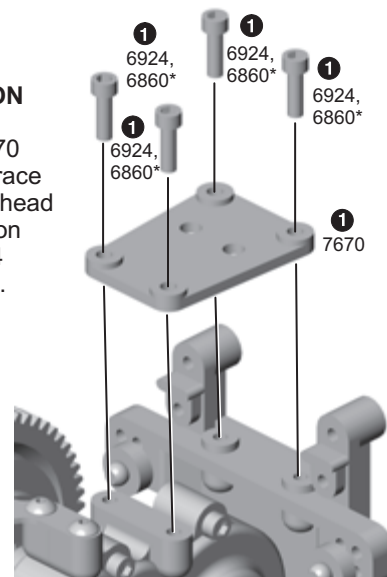
- 1 Install the #6273 long ball ends into the lower inner holes on the #7526 rear bulkhead. Thread #7260 plain nuts on the opposite side.
- 2 Add #6272 foam dust covers to the ball ends.
- 3 Attach the rear bulkhead to the chassis with two #6280 (6942*) screws.



step 2

ATTACH TRANSMISSION BRACE

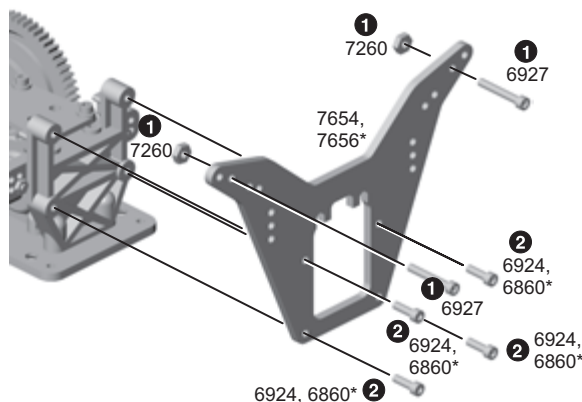
- 1 Mount the #7670 transmission brace to the rear bulkhead and transmission with four #6924 (6860*) screws.



step 3

INSTALL REAR SHOCK TOWER

- 1 Install the #6927 screws into the inner holes of the #7654 (7656*) rear shock tower. Then thread on the #7260 plain nuts.
- 2 Attach the #7654 rear shock tower to the rear bulkhead with four #6924 (6860*) screws.



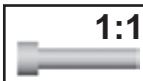
BAG H

Step 1

REMOVE THESE PARTS FOR: Steps 1-2



6299, qty 4
E-clip



6925, 7873*, qty 4
4-40 x 1/2 screw

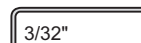


7356, qty 2
rear inner hinge pin
2.084"



7652, qty 2
rear arm mount
3° toe-in/ 2° anti-squat

TOOLS USED



7354, qty 2
rear suspension arm
(right arm shown)

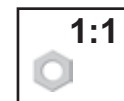


7657, qty 2
arm shock mount

Step 2



7775, qty 4
8-32 x 7/16
steel screw



7260, qty 2
plain nut



7529, qty 1
rear bumper

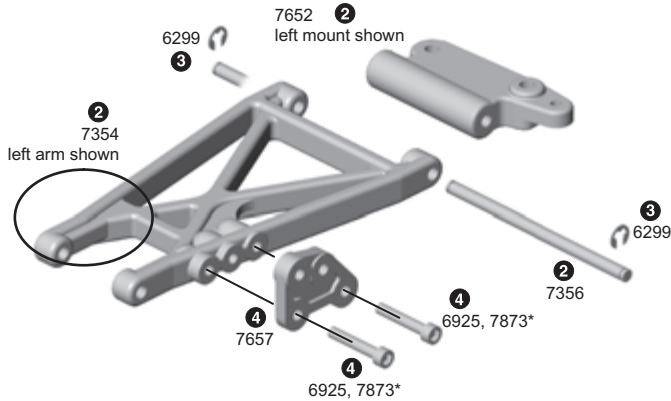


6922, qty 2
4-40 x 1/2 screw

step 1

ASSEMBLE REAR A-ARMS

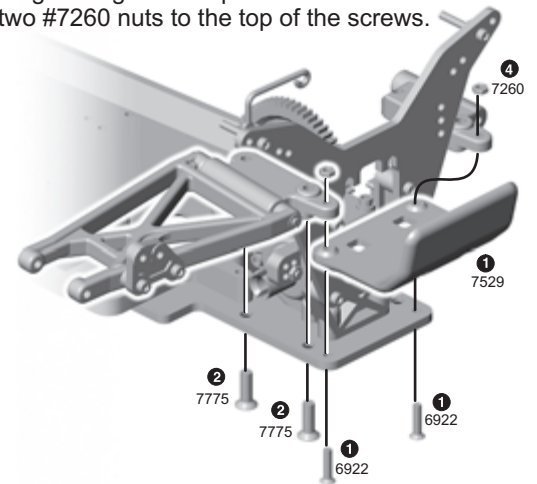
- 1 Twist the #7354 rear suspension arms from the mold runners with pliers and trim away any remaining molding with your hobby knife.
- 2 Attach the #7354 left rear a-arm to the #7652 left rear arm mount with one #7356 hinge pin.
- 3 Add #6299 E-clips to both ends of the hinge pin.
- 4 Attach the #7657 a-arm shock mount to the rear a-arm with two #6925 (7873*) screws.
- 5 Do the right a-arm.



step 2

MOUNT REAR A-ARMS & REAR BUMPER

- 1 Attach rear bumper to the chassis with two #6922 screws. Tighten only until they are flush with the top of the bumper.
- 2 Attach the left rear arm assembly to the chassis with two #7775 screws.
- 3 Attach the right rear arm assembly to the chassis with two #7775 screws.
- 4 Finish tightening the bumper screws. Add two #7260 nuts to the top of the screws.



BAG I

REMOVE THESE PARTS FOR: Steps 1-4



TEAM/FT 7380, qty 2 MIP CVD axle



TEAM/FT 7381, qty 2 coupling



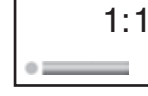
7368, qty 4 thin shim



6588, qty 1 black grease

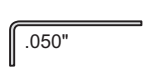


3977, qty 4 3/16 x 3/8 ball bearing unflanged



TEAM/FT 7381, qty 2 cross pin

TOOLS USED



.050"



7377, qty 2 spacer



6299, qty 4 E-clip



7367, qty 2 hub carrier



TEAM/FT 7381, qty 2 set screw



7369, qty 2 spring pin



7368, qty 2 thick shim



TEAM/FT 7379, qty 2 MIP CVD bone



RTR+ 7365, qty 2 hub carrier



6381, qty 2 rear outer hinge pin



7361, qty 2 dogbone



6466, qty 2 1/8" spacer



7378, qty 2 stub axle



5407, qty 4 red O-ring

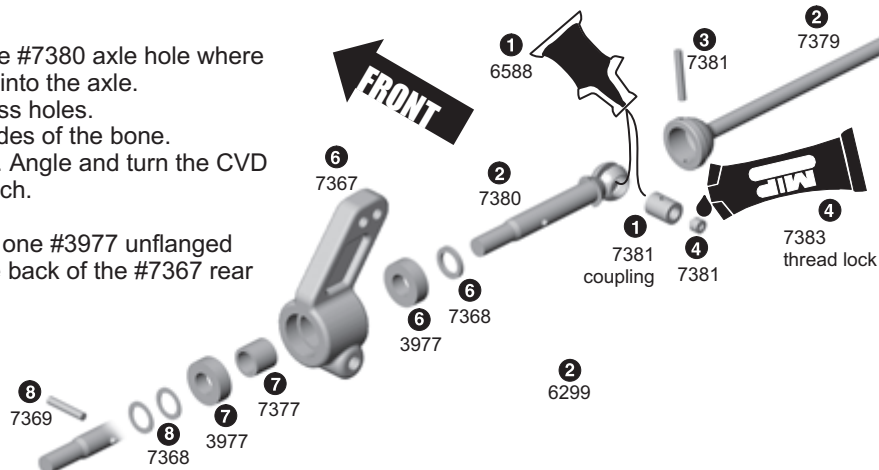
BAG I:

IF YOU HAVE THE TEAM or FT, FOLLOW STEPS 1-2 ONLY.
IF YOU HAVE THE RTR+ FOLLOW STEP 3 ONLY.
IF YOU HAVE THE TEAM-BUILT, FOLLOW STEP 4 ONLY.

step 1

TEAM/FT ONLY: ASSEMBLE MIP CVD'S

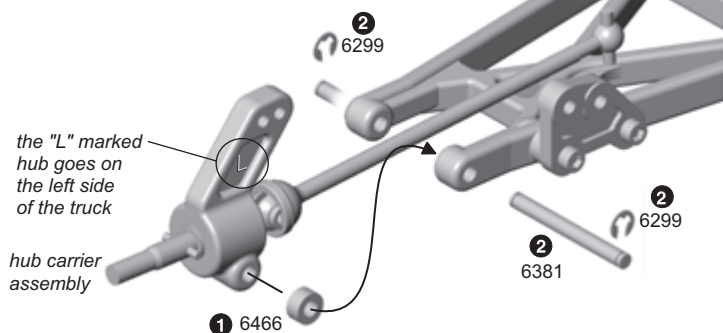
- 1 Spread some #6588 Associated black grease inside the #7380 axle hole where shown, then on the #7381 coupling. Slide the coupling into the axle.
- 2 Slide the axle into the #7379 dogbone, aligning the cross holes.
- 3 Insert the #7381 cross pin, spacing it evenly on both sides of the bone.
- 4 Add the #7383 MIP thread lock to the #7381 set screw. Angle and turn the CVD so the set screw can be screwed in with the Allen wrench.
- 5 Repeat steps 1-4 for the remaining CVD.
- 6 Slide one #7368 **thick** shim onto the #7380 axle. Slide one #3977 unflanged bearing onto the axle. Push the CVD assembly into the back of the #7367 rear hub carrier.
- 7 Slide one #7377 spacer into the hub carrier from the front followed by the second #3977 bearing.
- 8 Slide two #7368 **thin** shims onto the axle. Install the #7369 drive pin with your needlenose pliers.
- 9 Assemble the other hub carrier. **12**



step 2 TEAM/FT

TEAM/FT ONLY: MOUNT REAR HUB CARRIERS

- Place the left rear hub carrier assembly and one #6466 spacer between the arm holes as shown. The spacer is on the back side of the hub carrier, shortening the wheelbase.
- Install the #6381 hinge pin through the arm and hub carrier. Install two #6299 E-clips.
- Mount the right side.

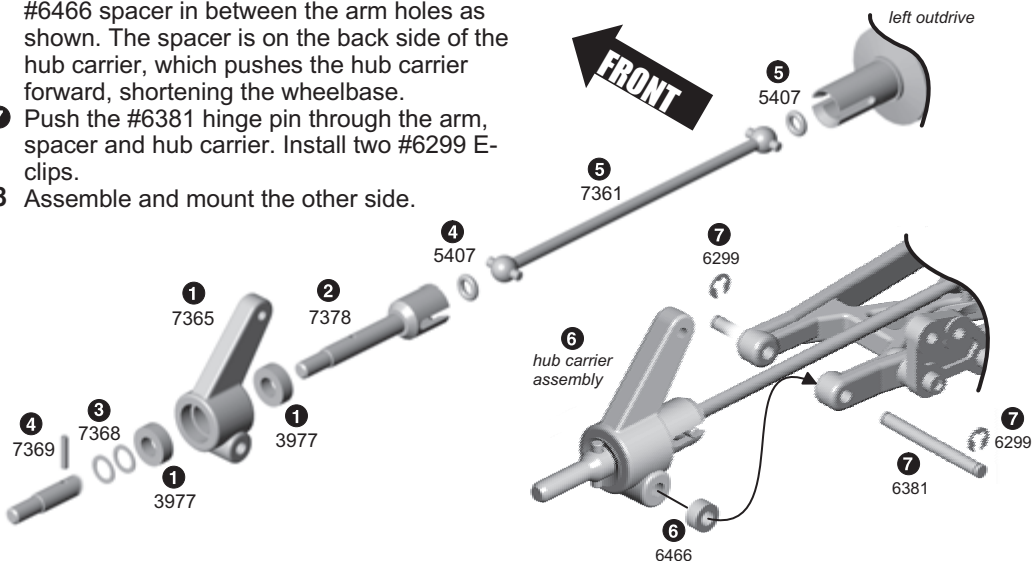


step 3 RTR+ ONLY

RTR ONLY: ASSEMBLE REAR AXLES

- Install a #3977 bearing into both ends of the #7365 hub carrier.
- Push the #7378 axle into the hub carrier.
- Slide two #7368 shims onto the axle. Install the #7369 drive pin into the axle with your needle nose pliers, making sure to center the pin onto the axle.
- Push a #5407 O-ring into the hub carrier, then slide the #7361 dogbone in.
- Push the second #5407 O-ring into the outdrive. Slide the dogbone and hub carrier assembly into the outdrive.

- Place the hub carrier assembly and one #6466 spacer in between the arm holes as shown. The spacer is on the back side of the hub carrier, which pushes the hub carrier forward, shortening the wheelbase.
- Push the #6381 hinge pin through the arm, spacer and hub carrier. Install two #6299 E-clips.
- Assemble and mount the other side.

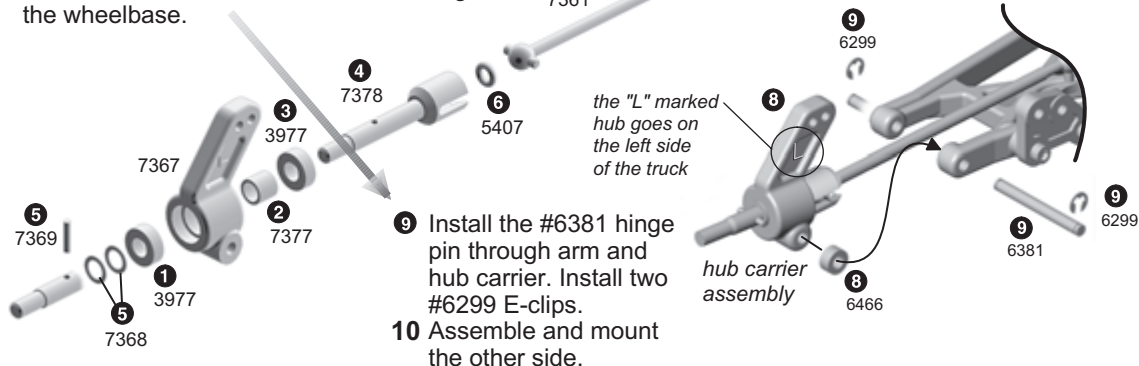


step 4 TEAM BUILT

TEAM BUILT: ASSEMBLE REAR AXLES

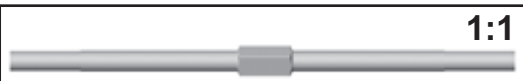
- Push one #3977 bearing into the front of the #7367 hub carrier.
- Slide a #7377 spacer into rear of #7367 hub carrier.
- Push one #3977 bearing into the hub carrier
- Push the #7378 axle into the hub carrier.
- Slide two #7368 thin shims onto the axle. Install the #7369 drive pin with your needlenose pliers and center both ends outside.
- Push a #5407 O-ring into the stub axle, then the #7381 dogbone.

- Push the second #5407 O-ring into the outdrive, then the dogbone and hub carrier assembly into the outdrive.
- Place the hub carrier assembly and one #6466 spacer between the arm holes as shown. The spacer is on the back side of the hub carrier, which pushes the hub carrier closer to the front axle, shortening the wheelbase.



BAG J

Step 1
7253, 1408*, qty 6
turnbuckle



6274, qty 10
ball cup



7217, qty 2
eyelet



7217, qty 2
pivot ball

Step 2

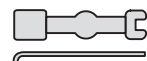


6926, qty 2
4-40 x 5/8



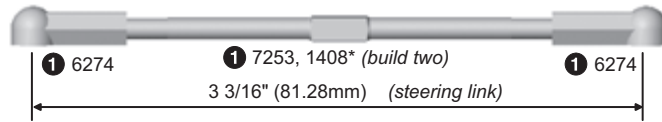
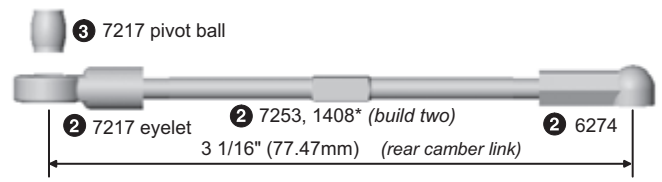
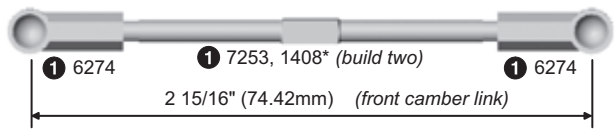
7260, qty 2
plain nut

TOOLS USED



3/32"

step 1



TURNBUCKLE SETUP

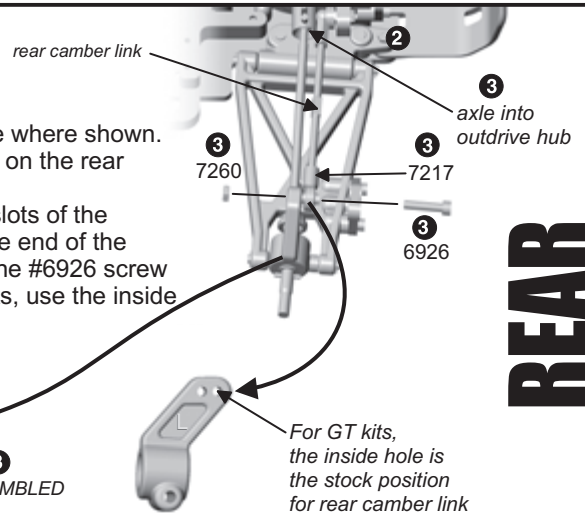
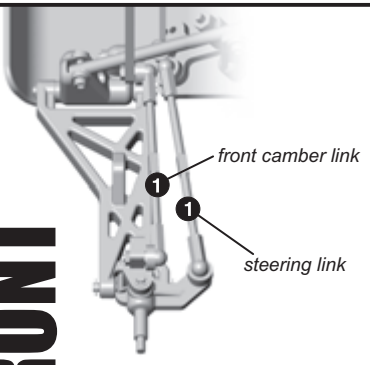
- 1 Twist the #6274 ball cups onto the #7253 steel turnbuckle (#1408* blue titanium turnbuckle) until you get the dimension shown for each part of the front turnbuckles.
- 2 Twist the #6274 ball cups and the #7217 eyelet onto the #7253 steel turnbuckle (#1408* blue titanium turnbuckle) until you get the dimension shown for each rear turnbuckle.
- 3 Now install the #7217 eyelet pivot balls into the eyelets.

step 2

INSTALL TURNBUCKLES

- 1 Snap the front turnbuckles into place where shown.
- 2 Snap the rear turnbuckles into place on the rear bulkhead first.
- 3 Now put the universal bones in the slots of the outdrive hubs and install the opposite end of the turnbuckles to the hub carrier with one #6926 screw and one #7260 plain nut. (For GT kits, use the inside hole of the hub carrier.)

FRONT



REAR

BAG K

Step 1



1:1

6924, 6860*, qty 2
4-40 x 3/8 screw



1:1

6918, qty 2
4-40 x 1/2 screw

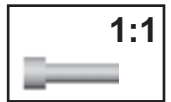


7318, qty 1
front body mount brace



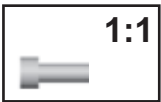
7319, qty 2
front body mount post

Step 2



1:1

6924, 6860*, qty 2
4-40 x 3/8 screw



1:1

6285, 6284*, qty 2
4-40 x 1/4 screw

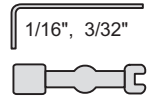


7323, qty 2
rear body post



7323, qty 2
rear body mount

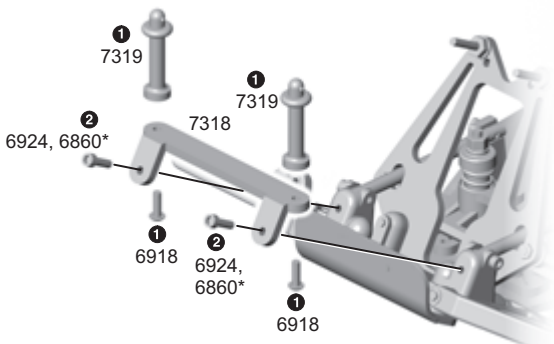
TOOLS USED



step 1

FRONT BODY MOUNTS

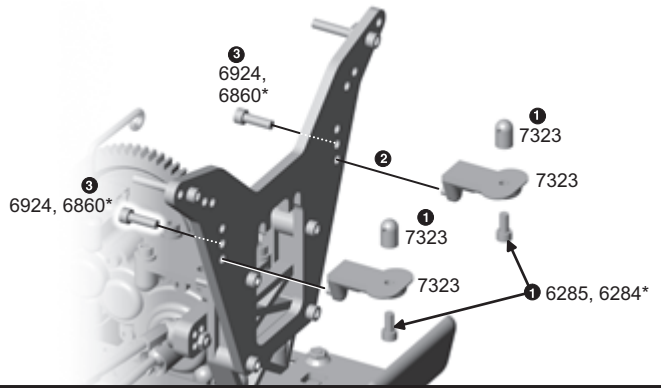
- 1 Install the two #7319 front body mounts onto the #7318 front body mount brace with two #6918 screws as shown.
- 2 Now install the front body mount brace assembly to the front bulkhead with two #6924 (6860*) screws. Make sure the body mounts are pointing up as shown.



step 2

REAR BODY MOUNTS

- 1 Attach the #7323 small round posts to the #7323 rear body mounts with two #6285 (6284*) screws.
- 2 Push the pegs of the rear body mounts into the lower holes from the back of the tower.
- 3 Screw the #6924 (6860*) screws into the middle hole from the front of the tower to secure them.



BAG 1

Step 1



6465, qty 2
shock piston #1



6465, qty 2
shock piston #2

Step 2



6440, qty 4
split locking washer



6440, qty 8
small spacer



6440, qty 4
large spacer



6429, qty 1
shock assembly tool



TEAM/FT 6435, qty 2
1.32 rear shock body



RTR+/TEAM BUILT 6424B, qty 2
blue 1.32 rear shock body



TEAM/FT 6436, qty 2
1.02 front shock body



RTR+/TEAM BUILT 6425B, qty 2
blue 1.02 front shock body



5422, qty 1
30 wt oil

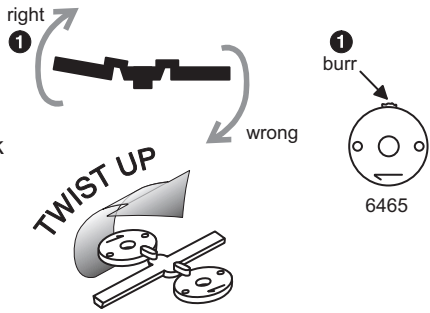


5407, qty 8
red O-ring

step 1

TRIM SHOCK PISTONS

- 1 Burrs interfere with smooth shock action within the shock body. To remove from tree without creating burrs, twist up, not down. Remove two each of #1 and #2.
- 2 Remove remaining burrs carefully with hobby knife.



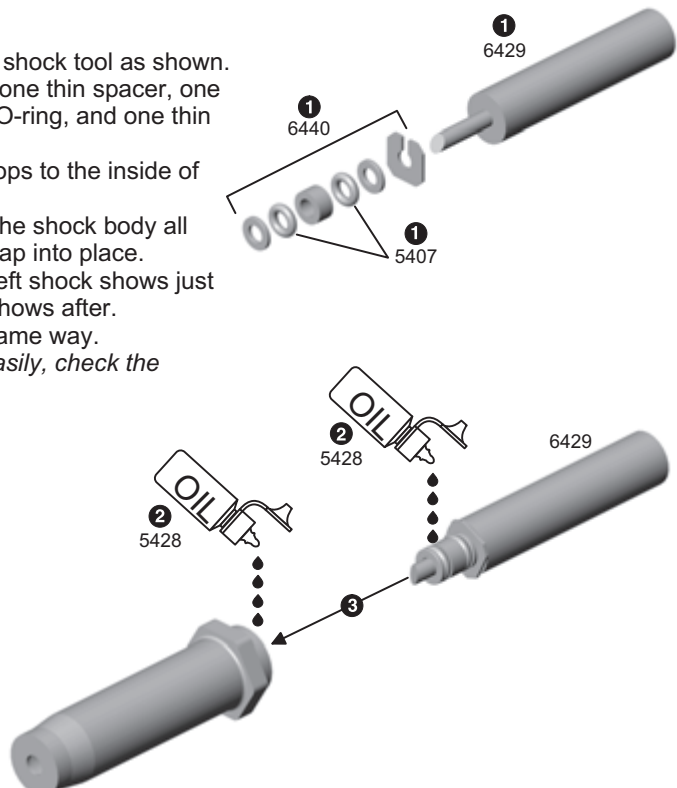
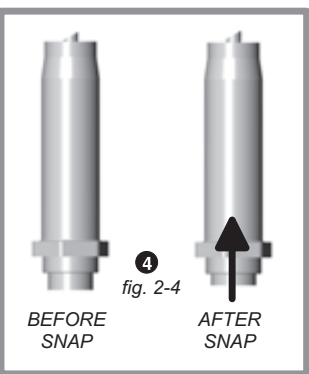
REMOVE SHOCK PARTS

- 3 Remove the #6440 shock parts from the molding tree carefully so no part of the molding runner remains. It is safer to remove a tiny amount of the shock part than to risk the chance of a burr remaining on the part. Short blade scissors or a hobby knife will work.



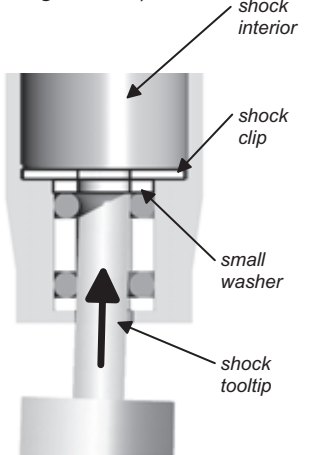
step 2

- 1 Install the shock parts onto the #6429 shock tool as shown. One shock clip (split locking washer), one thin spacer, one red O-ring, one thick spacer, one red O-ring, and one thin spacer.
- 2 Remove the #5422 oil and add 3-4 drops to the inside of the shock body and to the seal parts.
- 3 Insert the tool and the seal parts into the shock body all the way. Push easily until the parts snap into place.
- 4 Check the tool height in fig. 2-4. The left shock shows just before snapping into place, the right shows after.
- 5 Assemble the remaining shocks the same way. *If your shocks do not snap together easily, check the internal parts for burrs again.*



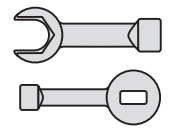
DISMANTLING SHOCK PARTS

Here is how to dismantle the shocks when it's rebuild time. Put the shock assembly tootip into the bottom of the shock until it rests against the small washer as shown, then push to unclip the shock clip (split locking washer).



Step 3

TOOLS USED



REMOVE THESE PARTS FOR: Steps 3-4



6469, qty 4
large O-ring



6459, 6417*, qty 2
1.02 front shock shaft



6458, 6416*, qty 2
1.32 rear shock shaft



6299, qty 8
E-clip



7217, qty 4
pivot ball



7217, qty 4
eyelet



6465, qty 2
shock piston #1
(for rear shocks)



6465, qty 2
shock piston #2
(for front shocks)

Step 4



6428, qty 4
shock cap

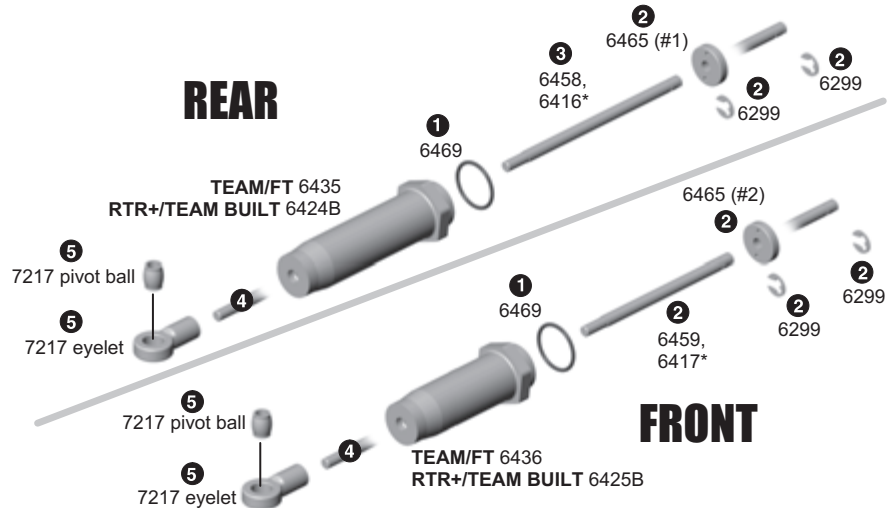


5422, qty 1
30 wt oil

step 3

ASSEMBLE SHOCKS

- 1 Install the #6469 large O-ring over the thread of each shock body.
- 2 On the #6459 (6417*) front shock shaft, install a #6299 E-clip on both sides of the #6465 (#2) piston from step #1.
- 3 On the #6458 (6416*) rear shock shaft, install a #6299 E-clip on both sides of a #6465 (#1) piston from step #1.
- 4 Insert the shock shaft assemblies into the shock bodies.
- 5 Push the #7217 pivot ball and eyelet together.
- 6 As you hold the shaft with a rag and needlenose pliers next to the threads, screw the eyelet onto the end of each shock shaft.



step 4

FILLING THE SHOCKS

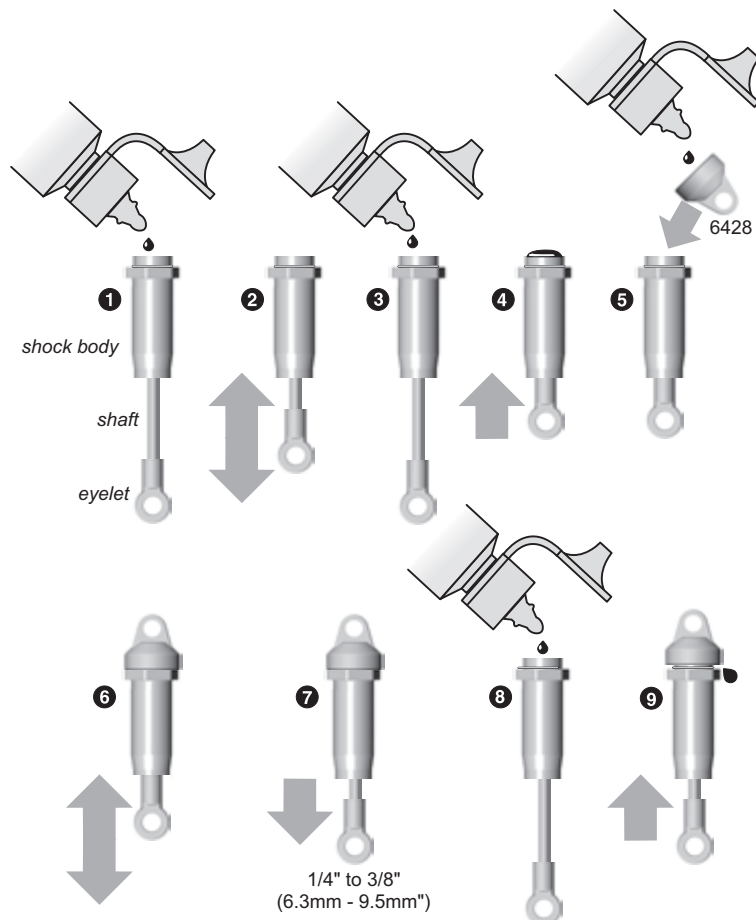
- 1 Holding the shocks upright, fill with oil to the top of the shock body.
- 2 Slowly move the shaft up and down several times to allow air bubbles to escape to the top.
- 3 Refill with oil to the top of the shock body.
- 4 Push the shaft in until the piston is level with top of shock body. The oil will slightly bulge up above the shock body.
- 5 Fill the #6428 shock cap about halfway with oil and install it onto the body. Try to retain as much oil as possible during assembly. The shaft will extend out as you tighten the cap down.



7 Then the shaft should push itself out approximately 1/4" to 3/8" (6.3mm - 9.5mm").

8 If the shock does not push out this far, there is not enough oil in them. Add just a little oil and try steps 6-7 again.

9 If the shocks push out farther than the distance in step seven, or you cannot push the shaft in until the eyelet hits the body, there is too much oil. Loosen the cap a half turn (with the shaft extended) and pump out a small amount of oil by pushing the shaft in. Retighten the cap and try steps 6-7 again.



REMOVE THESE PARTS FOR: Steps 5-7



8846, qty 2-1/32", 2- 1/16", 4-1/8", 2-1/4" preload spacers



6473, qty 4 shock bushing



6925, qty 4 4-40 x 1/2 screw



6472, qty 4 nylon locknut



6475, qty 4 spring collar



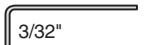
6475, qty 4 spring cup



6480, qty 2 rear green spring
TEAM BUILT
6478, qty 2 rear silver spring



7429, qty 2 front blue spring
TEAM BUILT
7428, qty 2 front silver spring

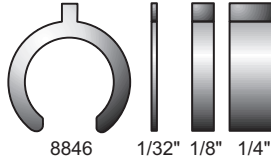


step 5

FINISH SHOCKS

- Slide one #8846 1/32", one 1/8" and one 1/4" preload spacer onto the rear shock body.
- Slide one #8846 1/16" and one 1/8" preload spacer onto the front shock body.
- Slide on the #6475 spring collar, then #6480 green springs on the rear shocks, and #7429 blue springs on the front shocks.
- Compress the springs to add the #6475 spring cup.

REAR



8846 1/32" 1/8" 1/4"

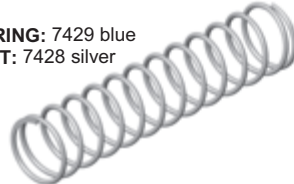
3

REAR SPRING: 6480 green
TEAM BUILT: 6478 silver

FRONT SPRING: 7429 blue
TEAM BUILT: 7428 silver

3 6475 spring collar

4 6475 spring cup



8846

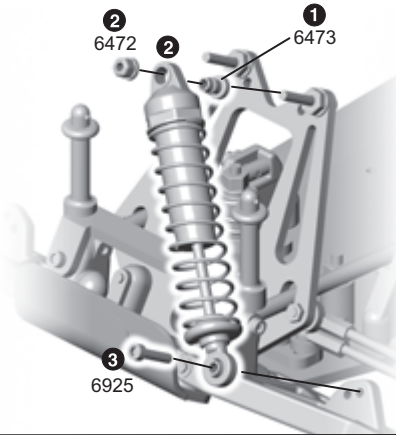
FRONT

8846 1/16" 1/8"

step 6

MOUNT FRONT SHOCKS

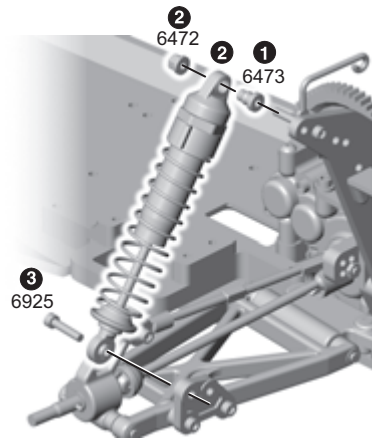
- Add the #6473 shock bushings to the front shock tower.
- Push the shock cap over the bushing and add the #6472 nylon locknut. Do not bind the cap; allow some free play.
- Fasten the lower shock into the outer hole in the arm with a #6925 screw.
- Do the other front shock.



step 7

MOUNT REAR SHOCKS

- Add the #6473 shock bushings to the rear shock tower.
- Push the shock cap over the bushing and add the #6472 nylon locknut. Do not bind the cap; allow some free play.
- Fasten the lower shock into the outer hole on the shock mount with a #6925 screw.
- Do the other rear shock.



1/16", 3/32"



REMOVE THESE PARTS FOR: Steps 1-2



6270, qty 1 short ball end



6272, qty 1 ball end dust cover



7337, qty 4 small washer



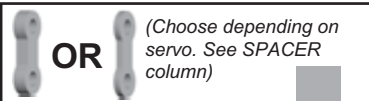
9180, qty 1 servo horn



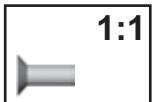
7336, qty 2 servo mount



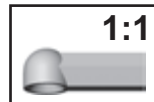
7336, qty 2 offset spacer



OR (Choose depending on servo. See SPACER column)



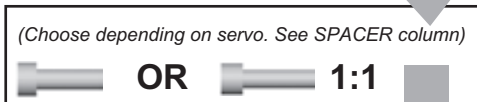
6292, 6934*, qty 4 4-40 x 3/8 screw



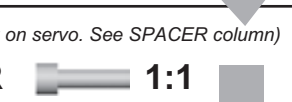
6274, qty 2 ball cup



6261, 1401*, qty 1 turnbuckle, 1.300"



6932, 4145*, qty 4 4-40 x 5/16 screw



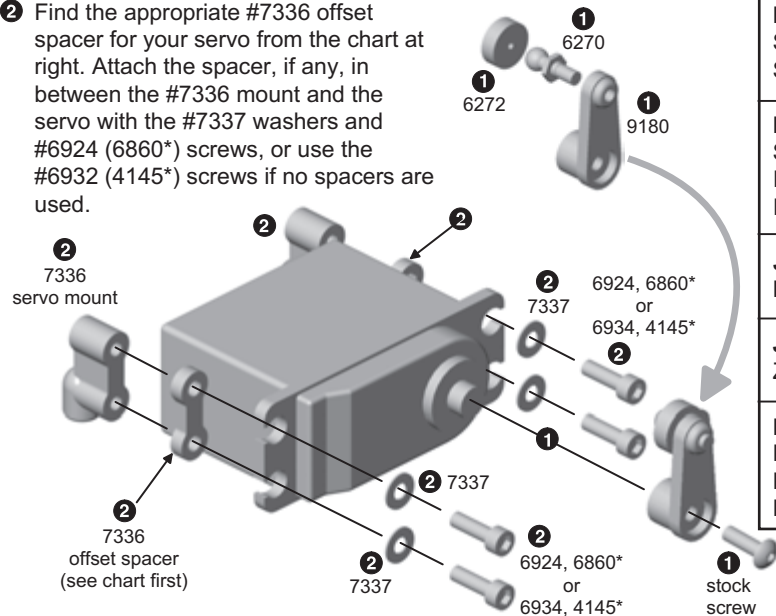
OR 1:1 (Choose depending on servo. See SPACER column)

step 1

ADD MOUNTS AND HORN TO THE SERVO

1 You'll find four servo horns with letters molded in. Find the appropriate #9180 servo horn for your servo from the chart at right. Install the #6270 ball end into the servo horn. Add the #6272 dust cover. Remove the servo horn from your servo and replace it with the #9180 horn that you selected, then fasten with the stock mounting screw that came with your servo so it points straight up.

2 Find the appropriate #7336 offset spacer for your servo from the chart at right. Attach the spacer, if any, in between the #7336 mount and the servo with the #7337 washers and #6924 (6860*) screws, or use the #6932 (4145*) screws if no spacers are used.



SERVO TYPE	SPACER	SERVO ARM
------------	--------	-----------

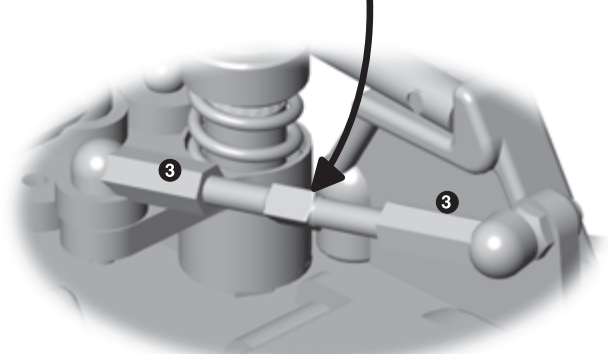
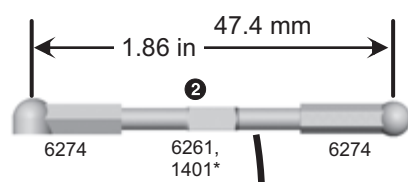
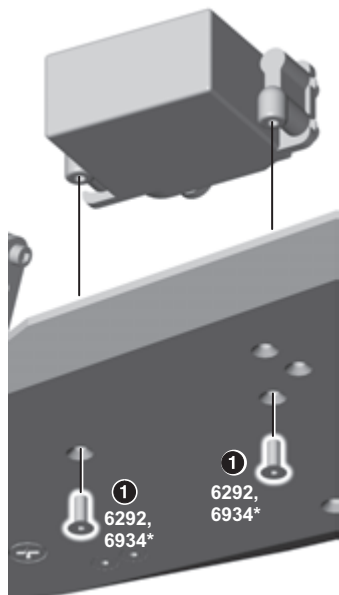
NOT ALL SERVOS ARE LISTED

Airtronics 94102	no spacer 6932, 4145*	
Airtronics 94155, 94156, 94157, 94158, 94257, 94258, 94737, 94738, 94741	thick spacer 6924, 6860*	
Futaba S3003, S9404, S9402, S9303, S3401, S9101, S9202	no spacer 6932, 4145*	
Hitec S-300, HS-303, HS-525BB, HS-545BB, HS-422, HS-425, HS-605BB, HS-615MG, HS-925MG, HS-945MG	no spacer 6932, 4145*	
JR NES-4721, NES-4735, Z4750	no spacer 6932, 4145*	
JR Z250, Z550, Z2750	thin spacer 6924, 6860*	
KO PS-1012 FET, PS-2000 FET, PS-2001 FET, PS-2004 FET, PS-2015 FET	no spacer 6932, 4145*	

step 2

MOUNT THE SERVO

- 1 Mount the steering servo to the chassis with two #6292 (6934*) screws.
- 2 Twist #6274 ball cups onto the #6261 (1401*) turnbuckle until you get the dimension shown.
- 3 Use needlenose pliers to attach the link to the ball ends.



1/16", 3/32"

1:1



6932, 4145*, qty 4
4-40 x 5/16 screw

1:1



6936, qty 4
washer



7527, qty 2
throttle servo
mount

1:1



7673, 6933*, qty 6
4-40 x 5/16 screw



7528, qty 1
antenna/receiver
mount



3720, qty 4
tie wrap
(wire tie)



7530, qty 1
black foam

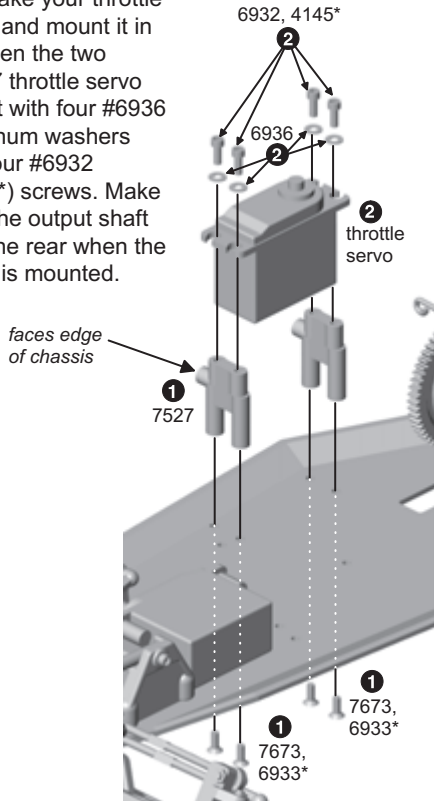


6727, qty 1
servo tape

step 3

THROTTLE/BRAKE SERVO INSTALLATION

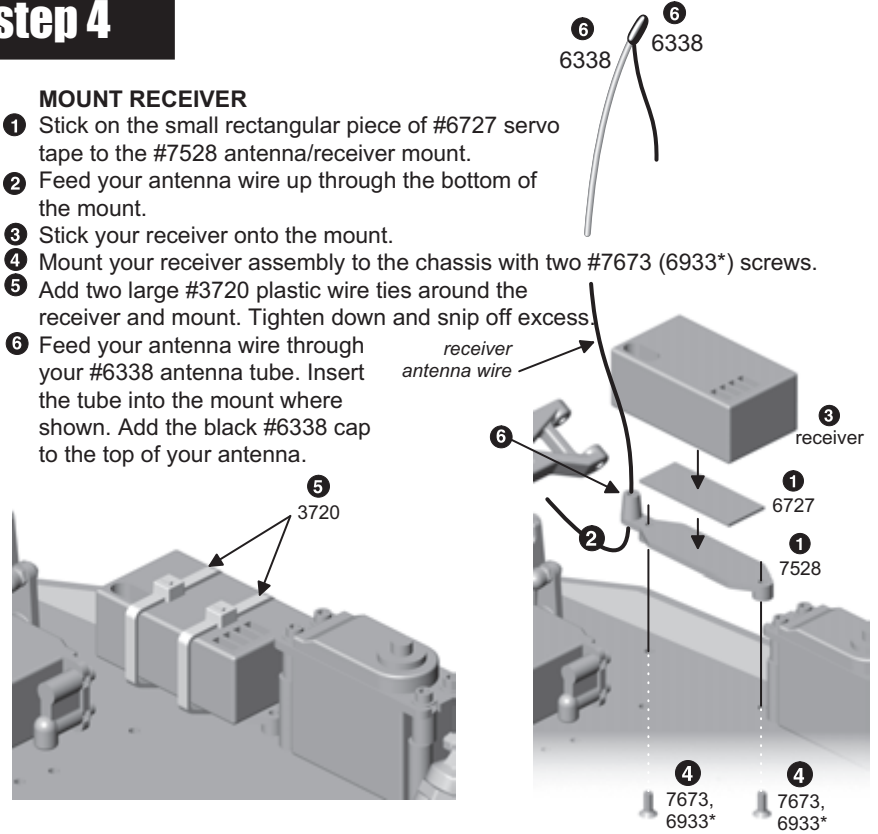
- 1 Mount the #7527 throttle servo mounts to the chassis with four #7673 (6933*) screws. The small extensions on the side of the mounts face toward the chassis edge.
- 2 Now take your throttle servo and mount it in between the two #7527 throttle servo mount with four #6932 aluminum washers and four #6932 (4145*) screws. Make sure the output shaft is to the rear when the servo is mounted.



step 4

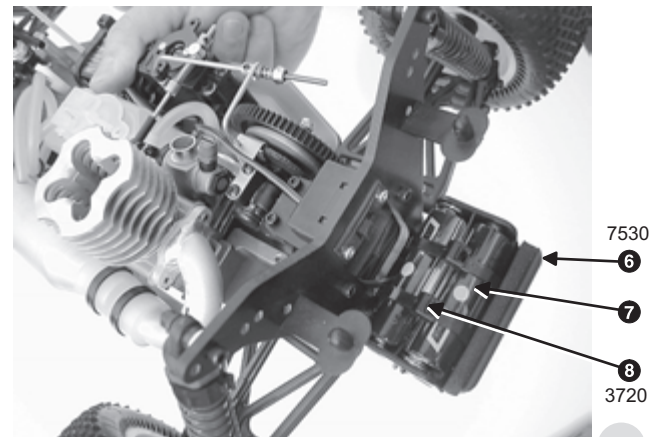
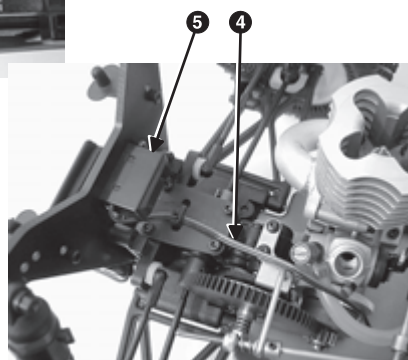
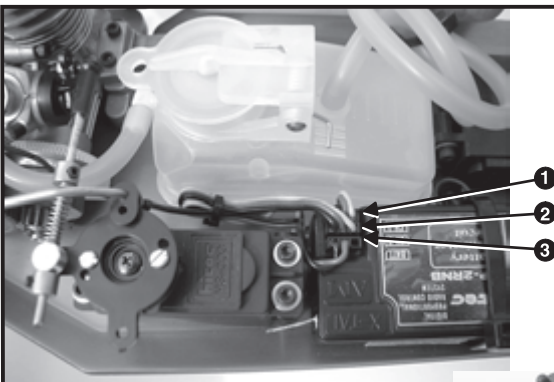
MOUNT RECEIVER

- 1 Stick on the small rectangular piece of #6727 servo tape to the #7528 antenna/receiver mount.
- 2 Feed your antenna wire up through the bottom of the mount.
- 3 Stick your receiver onto the mount.
- 4 Mount your receiver assembly to the chassis with two #7673 (6933*) screws.
- 5 Add two large #3720 plastic wire ties around the receiver and mount. Tighten down and snip off excess.
- 6 Feed your antenna wire through your #6338 antenna tube. Insert the tube into the mount where shown. Add the black #6338 cap to the top of your antenna.



CONNECT WIRING

- 1 Plug your steering servo plug into channel #1 of your receiver.
- 2 Plug your throttle servo plug into channel #2 of your receiver. (If your servos are made by different manufacturers, then check your documentation to make sure you don't have incompatibility problems.)
- 3 Plug your switch/receiver pack plug into the battery plug in your receiver.
- 4 Run the wires over the top of the transmission braces and secure it with a wire tie. Route your wires neatly to prevent them from being damaged.
- 5 Attach your switch to the rear shock tower.
- 6 Attach the #7530 black foam pad to your rear bumper. Cut out the parts of the foam pad where the wire ties are going to go.
- 7 Install your batteries into your receiver pack and place it into the rear bumper.
- 8 Install the two tie wraps around the receiver pack and through the bumper. Cut off the excess.



BAG N

TOOLS USED

step 1

REMOVE THESE PARTS FOR:
Step 1



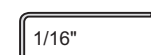
5407, qty 3
red O-ring



7673, 6933*, qty 3
4-40 x 5/16 screw



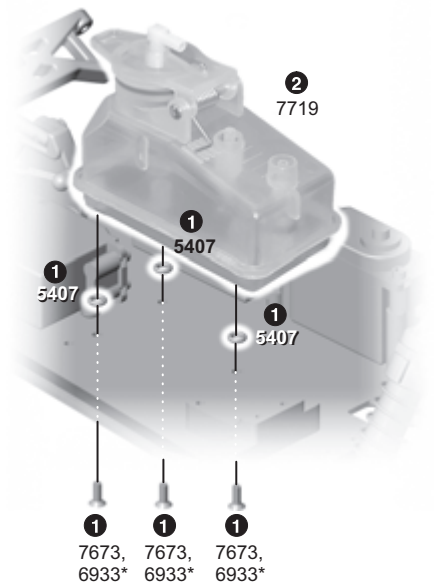
7719, qty 1
fuel tank



1/16"

MOUNT FUEL TANK

- 1 Push the #7673 (6933*) screws through the bottom of the chassis and place a #5407 red O-ring on each screw.
- 2 Push the #7720 tank onto the screws and tighten the screws just enough to slightly compress the O-rings so the fuel tank cannot move around.

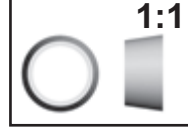


BAG O

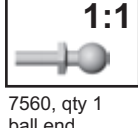
REMOVE THESE PARTS FOR:
Steps 1-3



7618, qty 1
spacer (silver)



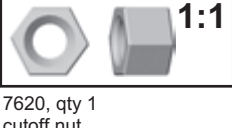
7618, qty 1
collet



7560, qty 1
ball end



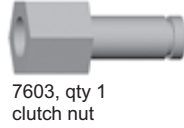
7560, qty 1
small plain nut



7620, qty 1
cutoff nut



7617, qty 1
Picco spacer (gold)



7603, qty 1
clutch nut



flywheel, qty 1
7610 (non pull start)
OR 7612 (pull start)

TOOLS USED

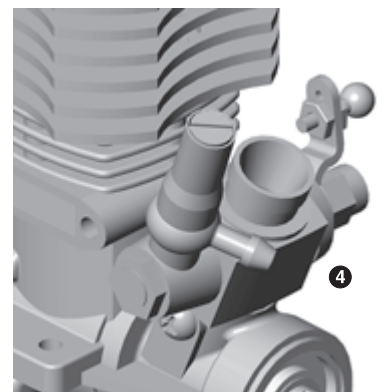
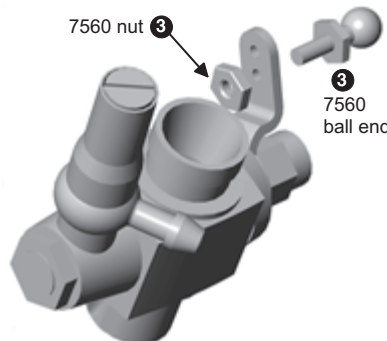
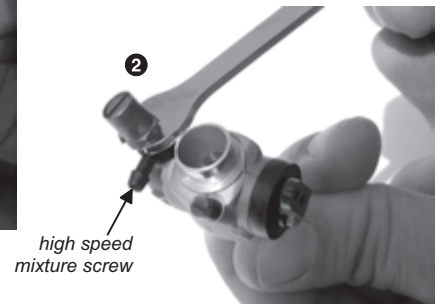
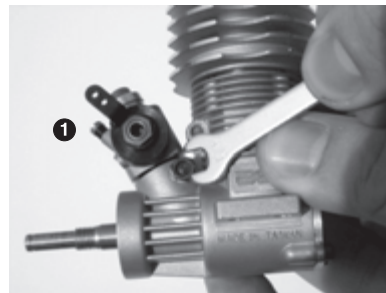


step 1

GAS ENGINE INSTALLATION

We can now install your standard format .12ci engine. There are engines with displacements of .12 ci to .15 ci which fit into the GT. If your engine is a standard .12 crank and side exhaust design it should fit into the GT. **WARNING!** It is the responsibility of the buyer to verify that the engine chosen will work in the GT.

- 1 Remove the carburetor from the engine. Loosen the nut or clamp bolt behind the carburetor.
- 2 Use the wrench supplied in your motor box to loosen your high speed mixture screw. Turn the valve assembly until the fuel line fitting is facing the direction shown, then retighten the valve assembly.
- 3 Attach one #7560 2-56 ball end and one #7560 2-56 plain nut into the lower hole in the throttle arm pivot. If the hole is too small for the ball end, drill it out with a #43 (.0890) or a 3/32 drill bit if you are careful. **WARNING!** The throttle pivot arm is very small and can be easily damaged. Use extreme care when drilling the hole. We recommend using a threadlock on the threads to keep the nut from coming loose due to engine vibrations.
- 4 Reinstall the carburetor to the engine and tighten the clamp nut or the mounting screws. You want to have the carb perpendicular to the crankshaft.



If your engine is a: **DYNAMITE ENGINE** -----> **start at Step 5**
ASSOC. OR THUNDER TIGER ENGINE -> **start at Step 6**
O.S., TOP, NOVAROSSİ OR PICCO --> **start at Step 2**

step 2

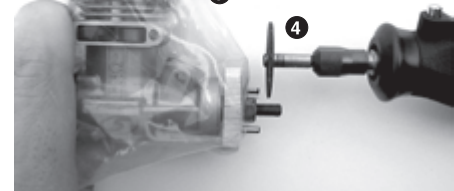
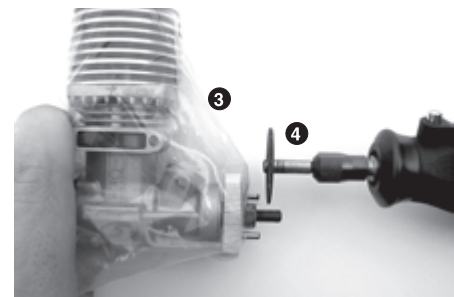
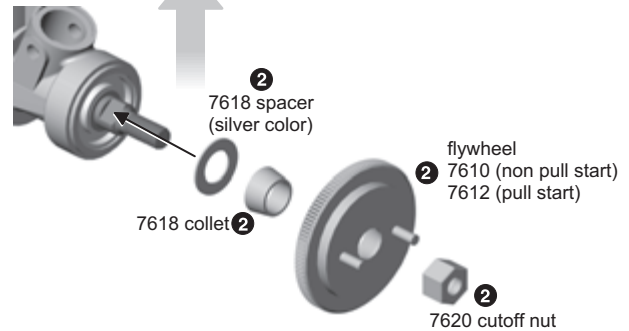
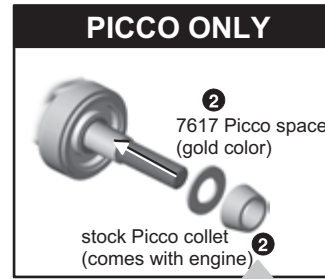
O.S., TOP, NOVAROSSİ OR PICCO

CUTTING THE CRANK

Items needed:

- Dremel tool.
- Fiber reinforced cutoff wheel. **WARNING!** For your own safety, we recommend using only the fiber reinforced wheels, not the cutoff stones. The cutoff stones can shatter and cause injury.
- Safety glasses or goggles.

- 1 Install the fiber reinforced cutoff wheel on the Dremel tool and put on your safety glasses.
- 2 On the gas engine install one #7618 or #7617 spacer, one #7618 collet, and your #7610 or #7612 flywheel. The flywheel will fit over the collet (they are a tapered wedge fit). Now install the #7620 cutoff nut so the threaded end is away from the flywheel.
- 3 Place the engine inside the plastic bag supplied to you in the sub bag. Push the end of the crankshaft through the plastic bag until the end of the crankshaft and the special cutoff nut protrude through the bag. Make sure the hole is tight around these parts to prevent metal shavings from going into the engine.
- 4 Take your time to do this step. Cut the crankshaft flush with the end of the special cutoff nut using your Dremel tool. Don't slip and damage the flywheel clutch pin while cutting. **WARNING!** Never work with a power tool without wearing safety glasses or goggles! Make sure all parts of your body and any clothing are away from the Dremel tool and the cutting area to prevent injury.
- 5 After you have cut the crankshaft, clean off all the metal shavings from the part. Then remove the engine from the bag. Unthread the special cutoff nut, remove the flywheel, collet spacer and collet. Take the #7603 clutch nut and see if the clutch nut will thread onto the crankshaft easily. If not, then put your motor again into the plastic bag to protect it from metal shavings, with the crankshaft sticking out, and file or grind the crankshaft a little from the top of the first threads. Do not damage the threads.



BEFORE CUTTING



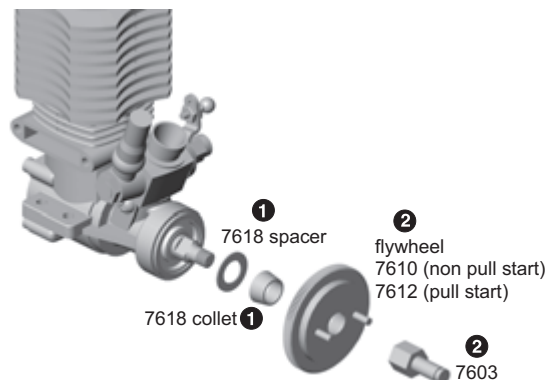
AFTER CUTTING

step 3

FLYWHEEL ASSEMBLY

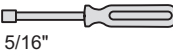
This step is only for standard engines which needed the crankshaft cut.

- 1 Reinstall one #7618 collet spacer followed by one #7618 collet.
- 2 Install the #7610 or 7612 flywheel followed by the #7603 clutch nut. Tighten the clutch nut securely down, locking the flywheel to the collet. Get it as tight as you can.
- 3 **Continue to Step 5 for Clutch Assembly.**



BAG 0

TOOLS USED



5/16"

REMOVE THESE PARTS FOR:
Step 4



7618, qty 2
spacer



7618, qty 1
collet



7602, qty 1
clutch nut
(Dynamite engine)



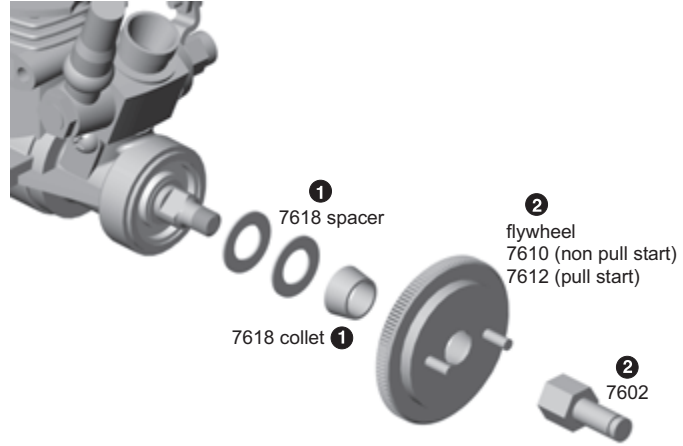
flywheel, qty 1
7610 (non pull start)
OR 7612 (pull start)

step 4

DYNAMITE ENGINES only

FLYWHEEL ASSEMBLY

- 1 Install two #7618 collet spacers followed by one #7618 collet.
- 2 Install the #7610 or #7612 flywheel followed by the #7602 special clutch nut. Tighten the clutch nut securely down, locking the flywheel to the collet. Get it as tight as you can.
- 3 *Continue to Step 5 for Clutch Assembly.*



BAG 0

REMOVE THESE PARTS FOR:
Step 5



6902, qty 2
3/16 x 5/16 bearing
flanged



2661, qty 1
clutch nut E-clip



7601, qty 2
clutch shoe

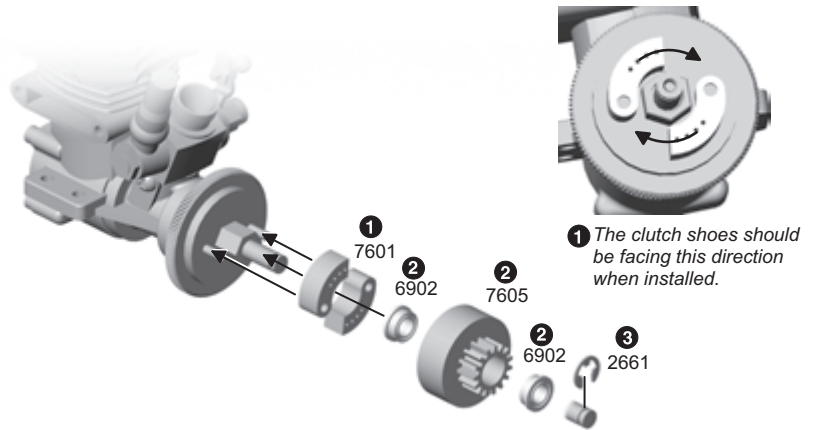


7605, qty 2
clutch bell
15 tooth

step 5

CLUTCH ASSEMBLY

- 1 Install your #7601 clutch shoes on the clutch pins on the flywheel as shown.
- 2 Install one #6902 flanged bearing followed by the #7605 15 tooth clutch bell and the second #6902 flanged bearing.
- 3 Install the #2661 clutch nut E-clip where shown.
- 4 *Continue to Step 7.*



BAG 0

TOOLS USED



5/16"

REMOVE THESE PARTS FOR:
Step 6



6902, qty 2
3/16 x 5/16 bearing
flanged



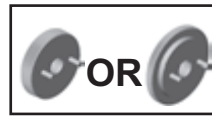
2661, qty 1
clutch nut E-clip



7601, qty 2
clutch shoe



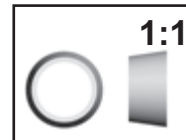
7605, qty 2
clutch bell
15 tooth



flywheel, qty 1
7610 (non pull start)
OR 7612 (pull start)



7618, qty 1
spacer



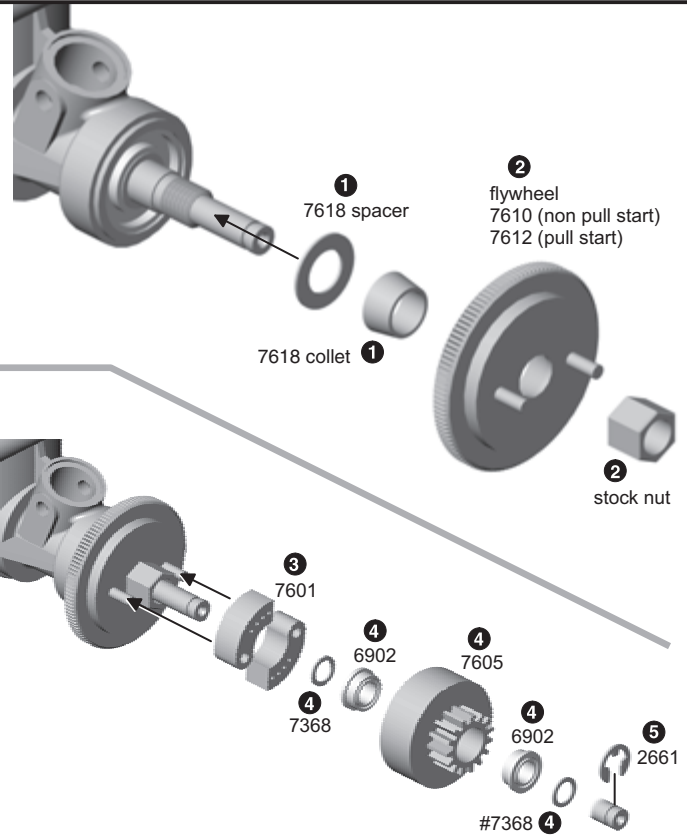
7618, qty 1
collet

step 6

ASSOC. & THUNDER TIGER only

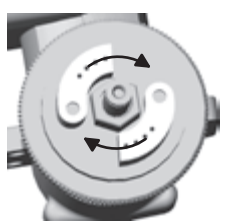
FLYWHEEL ASSEMBLY

- 1 Install one #7618 collet spacer followed by one #7618 collet.
- 2 Install the #7610 or #7612 flywheel followed by the stock flywheel nut supplied with your engine. Tighten the nut securely down, locking the flywheel to the collet. Get it as tight as you can.

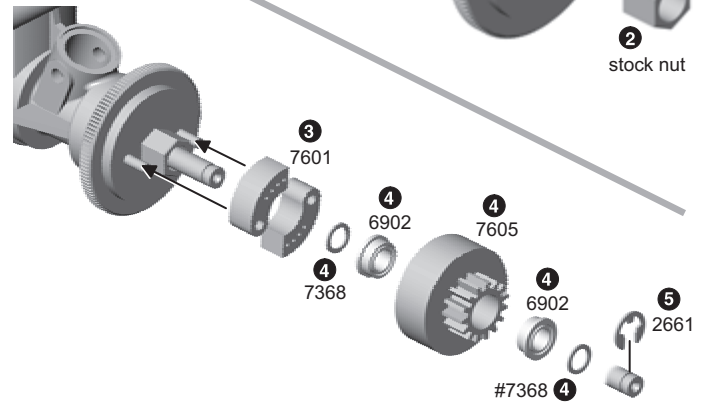


CLUTCH ASSEMBLY

- 3 Install your #7601 clutch shoes on the clutch pins on the flywheel as shown.
- 4 Install one stock shim #7368 that came with your engine, one #6902 flanged bearing, followed by the #7605 15 tooth clutch bell, and the second #6902 flanged bearing. Install the second stock shim #7368.
- 5 Install the #2661 clutch nut E-clip where shown.
- 6 Continue to Step 7.







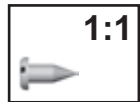







3 The clutch shoes should be facing this direction when installed.

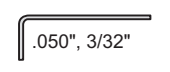


BAG 0

REMOVE THESE PARTS FOR: Steps 7-8

<p>Step 7</p>  <p>1:1</p> <p>6925, qty 4 4-40 x 1/2 screw</p>	<p>Step 8</p>  <p>7557, qty 1 throttle pivot</p>	 <p>7558, qty 1 throttle pivot clip</p>	 <p>7560, qty 1 throttle ball cup</p>	 <p>7560, qty 2 throttle rod, brake rod</p>		
 <p>1:1</p> <p>6951, qty 4 set screw</p>	 <p>1:1</p> <p>3721, qty 1 2-56 screw</p>	 <p>4118, qty 1 spring</p>	 <p>1:1</p> <p>7560, qty 1 washer</p>	 <p>7560, qty 1 spring</p>	 <p>7560, qty 4 collar</p>	 <p>7559, qty 1 servo horn adapter</p>

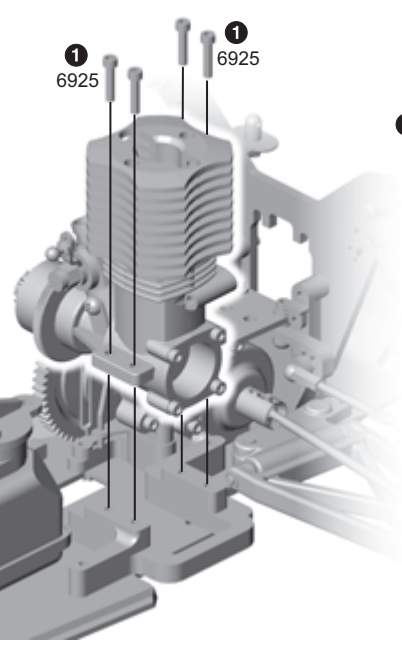
TOOLS USED



step 7

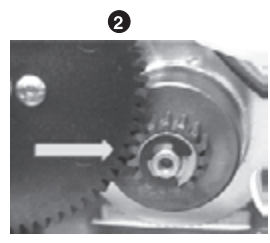
ENGINE INSTALLATION

- 1 Line up your engine with the clutch assembly and flywheel assembly in your engine mount. Center your engine on your mount. Now fasten the motor to the mount with four #6925 screws. Do not tighten yet.



GEAR MESH

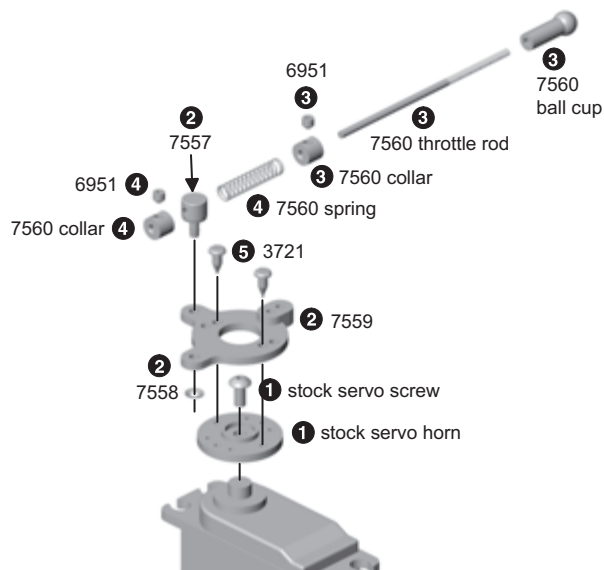
- 2 Now we set the spur gear-to-pinion gear spacing, otherwise known as "gear mesh." Make sure you can still slide your engine mount, then mesh the clutch bell pinion with the spur gear. The correct gear spacing is when the pinion is as close to the spur gear as possible, but if you hold the pinion gear, you should still be able to rock the spur gear back and forth slightly with light pressure. Roll the gears and check the mesh in several different locations on the spur gear teeth to check if the spur gear is slightly out of round.



step 8

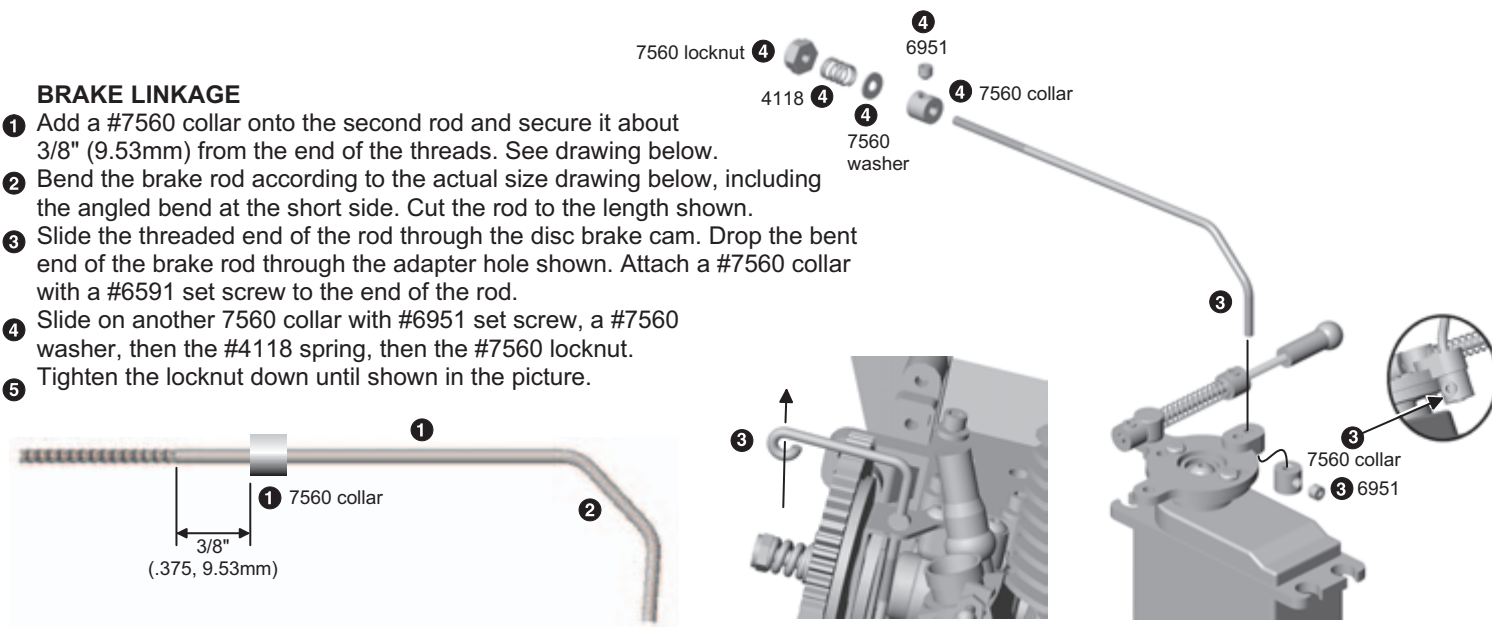
THROTTLE LINKAGE

- 1 Install your stock servo horn to your servo with the stock servo screw. (You may have to trim away a part of your stock servo horn so the locking collar for the brake linkage in Step 9 won't hit it.)
- 2 Mount the #7557 aluminum throttle pivot to the #7559 adapter with the #7558 throttle pivot clip, with the clip's inner teeth flaring away from the adapter.
- 3 Screw one #7560 ball cup onto the end of the #7560 throttle rod. Slide on one #7560 collar about an inch away from the ball cup and tighten it down with a #6951 set screw.
- 4 Slide on the #7560 long throttle spring. Slide the throttle rod through the throttle pivot, then slide on and fasten the second #7560 collar to the rod so there is about one inch (xxmm) of space between collars.
- 5 Attach the servo horn adapter assembly to your servo horn with the two #3721 screws provided. See photo for proper orientation of adapter to your servo.
- 6 Snap the ball cup onto the carb's ball end.
- 7 Cut off the remaining part of the throttle rod. Make sure you leave 1/2 inch (12.7mm) so you can adjust the throttle linkage.

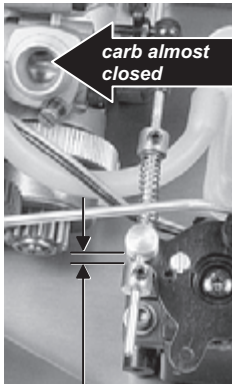


BRAKE LINKAGE

- 1 Add a #7560 collar onto the second rod and secure it about 3/8" (9.53mm) from the end of the threads. See drawing below.
- 2 Bend the brake rod according to the actual size drawing below, including the angled bend at the short side. Cut the rod to the length shown.
- 3 Slide the threaded end of the rod through the disc brake cam. Drop the bent end of the brake rod through the adapter hole shown. Attach a #7560 collar with a #6951 set screw to the end of the rod.
- 4 Slide on another 7560 collar with #6951 set screw, a #7560 washer, then the #4118 spring, then the #7560 locknut.
- 5 Tighten the locknut down until shown in the picture.



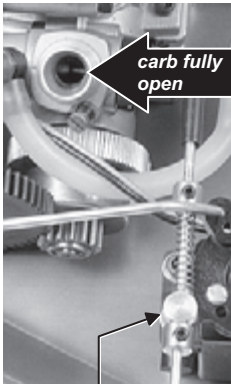
1 IDLE SETTING



ADJUST THE THROTTLE LINKAGE

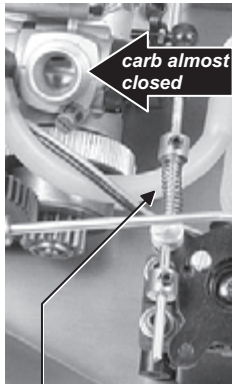
1 Turn on your transmitter then the kit's electronics (don't start the engine). When at idle (trigger of transmitter not pulled), adjust the collar near the adapter so there is up to 1/16" (1.58 mm) of space between the collar and pivot.

2 FULL THROTTLE



2 Apply full throttle (pull the trigger of your transmitter all the way back). Your carb should be fully open. If it is not, then adjust the collar nearest to the adapter. (You may also adjust your throttle trim according to your radio's instructions.)

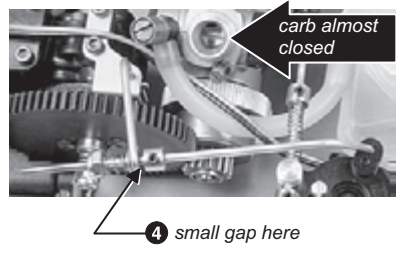
3 BRAKE APPLIED



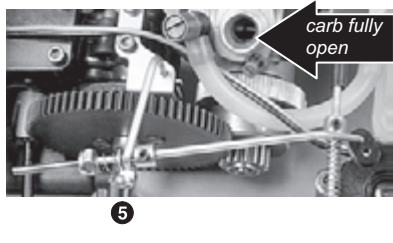
3 Now apply the brake. Your carb should be at idle position. The spring should not be completely compressed.

step 8

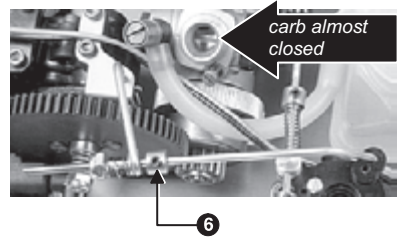
4 IDLE SETTING



5 FULL THROTTLE



6 BRAKE APPLIED



ADJUST THE BRAKE LINKAGE

4 With no pressure on the throttle trigger (at idle), adjust the brake nut and spring so that the brake is applied slightly. You can test this by turning the spur gear. The spur gear will have some resistance to being turned. Also, keep about 1/16" (1.58mm) gap between the collar and disc brake cam at idle.

5 Now pull the throttle. The brake should disengage immediately. **You do not want the brakes to be engaged while the carb is open or you'll damage the engine.**

6 Now apply the brake fully. Your brake should fully engage. The spur gear will be hard to move. If it is not, then adjust the collar.

BAG 0

REMOVE THESE PARTS FOR: Steps 9-10

 6928, qty 2 4-40 x 1 screw	 7738, qty 2 4-40 x 7/8 screw	 3216, qty 1 4-40 washer	 6242, qty 1 4-40 locknut	 7730, 7742* qty 1 muffler (tuned pipe) TEAM-BUILT/RTR+ 7777 qty 1 muffler (tuned pipe)
 6292, qty 1 4-40 x 3/8 screw	 7728, qty 1 muffler mount	 7733, qty 1 silicone tubing	 7734, qty 1 manifold gasket	 3719, qty 2 wire tie (tie wrap) heavy duty
	 manifold, qty 1 7735, 7750* (pull start) 7736, 7758* (non pull start)	 7724, qty 1 fuel tubing (18")		

TOOLS USED

1/16", 3/32"

step 9

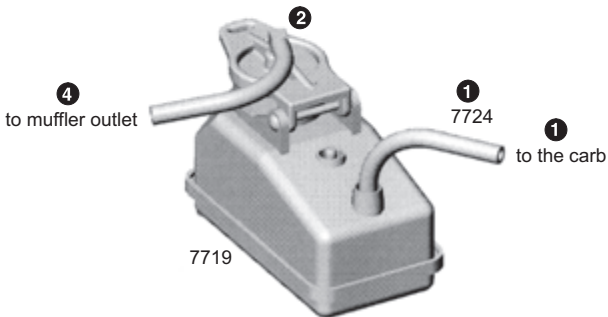
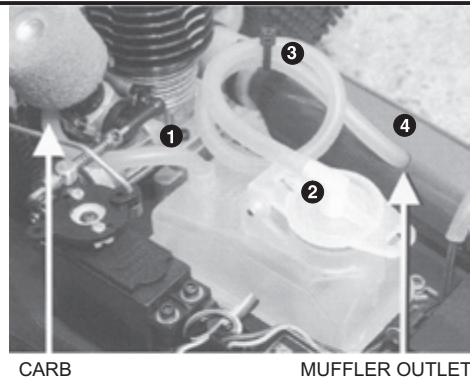
MANIFOLD AND MUFFLER (TUNED PIPE) INSTALLATION

- Bolt the #7736 (7758*) non pull start or #7735 (7750*) pull start manifold to the engine with the #7734 gasket in between. Use the appropriate #6928 or #7738 screws for your engine. Different engines use different size screws to hold the manifold on. Tighten down the screws.
- Slide the #7733 silicone tubing about half way onto the exhaust manifold.
- Cut off 3 1/2" length of your fuel tubing. Slide it onto your exhaust bracket as shown in photo below.
- Slip the #7728 bracket onto the #7730 (7742*), 7777 muffler so the eyelet is away from the exhaust nozzle. Now slide the muffler into the other end of the #7733 exhaust tubing.
- Rotate the muffler bracket so the eyelet lines up with the hole in the chassis and the exhaust nozzle is pointing as shown. Push the #6292 screw up through the chassis then install the bracket over the threads. Now install the #3216 washer and one #6242 locknut.
- Now install two #3719 nylon wire ties onto the exhaust tubing and secure one on the manifold side and one on the muffler side. Pull tight and then cut off the end of the wire ties.

step 10

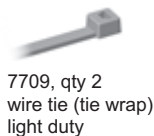
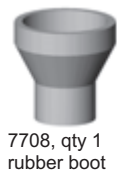
FUEL TUBING

- Slide one end of the #7724 fuel tubing onto the fuel tank. Bring the other end of the tubing over to the carb fitting. When you have the correct length without kinks in the tubing or rubbing against other parts of the truck, then mark the fuel tubing and cut it to that length. Again check to make sure the fuel line clears the spur gear or any other parts.
- Cut a new piece of tubing 6-7 inches and install the tubing into the fitting on the top of the fuel tank.
- Coil the tubing as shown and put a small #7709 wire tie round it. Tighten the wire tie, but not so tight that it will begin to compress the tubing. Cut off the end of the wire tie.
- Now take the end of the tubing and squeeze it into the hole in the #7730 tuned pipe muffler about 3/8."



BAG 0

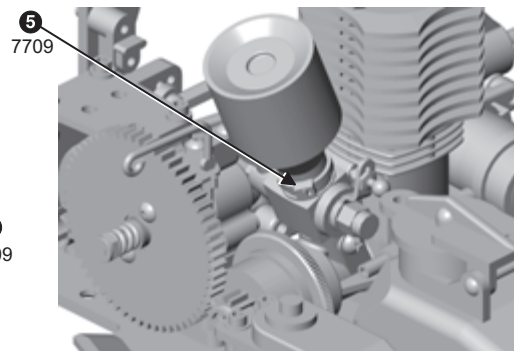
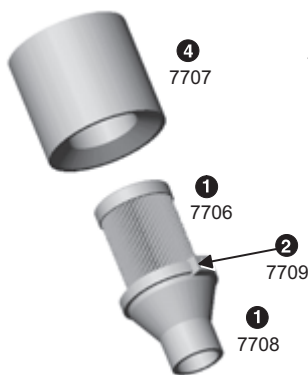
REMOVE THESE PARTS FOR:
Step 11



step 11

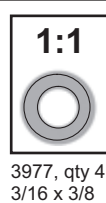
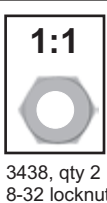
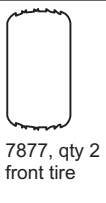
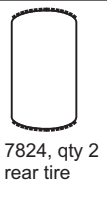
AIR FILTER

- Install the open ended part of the #7706 paper filter element into a groove in the #7708 rubber boot.
- Take one small wire tie and secure the filter to the boot.
- Apply Associated's #7710 Foam Pre-Filter Treatment to help keep the dirt out. Dab the treatment all around the filter, put the filter in a plastic sandwich bag, and knead it until the filter is saturated, but not soaked.
- Now slide the #7707 foam prefilter over the paper filter element as shown.
- Attach the air filter assembly to your carb with one small wire tie, the cut off the wire tie excess.

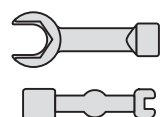


BAG P

REMOVE THESE PARTS FOR:
Step 1



TOOLS USED

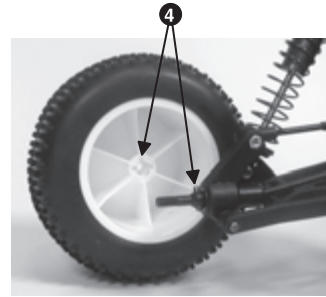
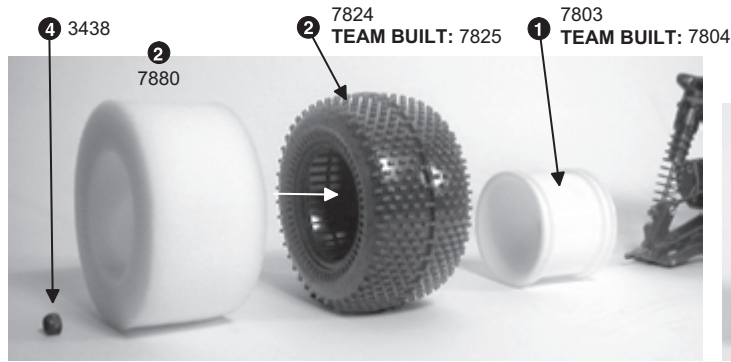


step 1

The tires in your kit may vary from those shown in the photos. Associated is constantly working to upgrade the kit and if we find tires that we feel are better, we may change to them.

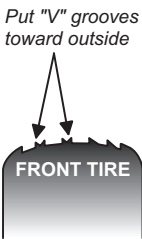
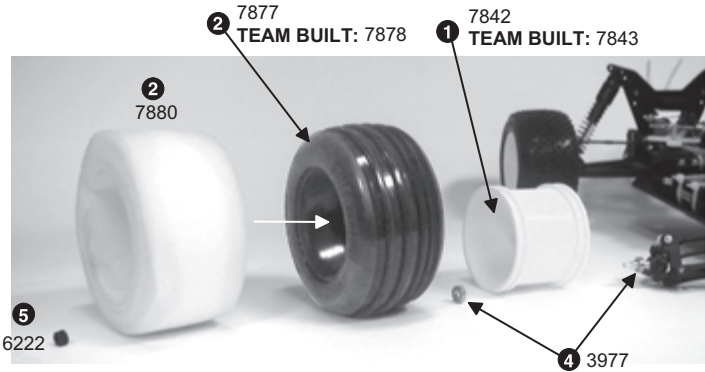
REAR WHEELS AND TIRES

- 1 Make a 1/8" hole in the #7803 or 7804 wheel.
- 2 Make sure the #7880 foam insert is centered in the #7824 or 7825 tire.
- 3 Install the tire onto the wheel. Glue the tire to the wheel with cyanoacrylic glue in four spots around the tire on both sides. **WARNING: Follow the adhesive instructions for proper use and safety. Wear eye and hand protection.**
- 4 Install the wheel assembly onto the axle, lining up the roll pin with the slot in the wheel. Thread on the #3438 locknut.
- 5 Finish the second rear wheel and tire.



FRONT WHEELS AND TIRES

- 1 Make a 1/8" hole in the #7842 or 7843 wheel.
- 2 Make sure the #7880 foam insert is centered in the #7877 or 7878 tire.
- 3 Install the tire onto the wheel. Glue the tire to the wheel with cyanoacrylic glue in four spots around the tire on both sides.
- 4 Insert the #3977 bearings into both sides of the front wheel.
- 5 Install the wheel assembly onto the axle. Thread on the #6222 locknut.
- 6 Finish the second front wheel and tire.



step 2

TEAM/FT: BODY MOUNTING

- 1 Trim the #6155 body where shown.
- 2 Mask off your design and spray-paint the inside of the body with Lexan-safe paint such as Pactra. (Other paints may not adhere to the Lexan.)
- 3 Cut openings in the body where shown.
- 4 Remove, trim and paint the Lexan spoiler.
- 5 Attach the spoiler to the rear as shown with two #6919 screws and #6222 locknuts.
- 6 Secure the body to the chassis with four #6332 body clips.

BAG P

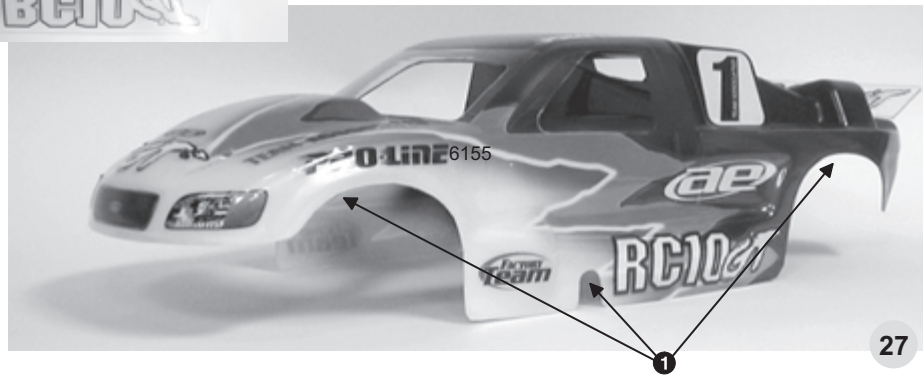
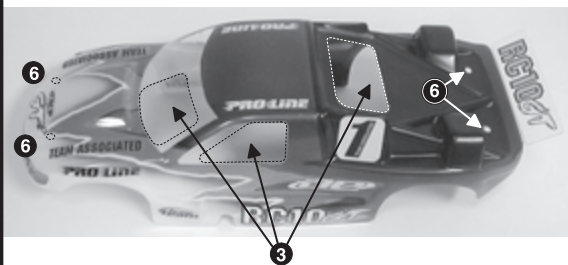
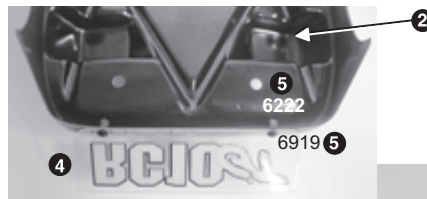
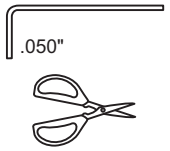
REMOVE THESE PARTS FOR:

Step 2

- | | | | | |
|----------------------------------|----------------------------|---------------------------|-------------------------------|-----------------------------------|
| #6155, qty 1
Pro-Line GT body | #6155, qty 1
GT spoiler | #6332, qty 4
body clip | #6222, qty 2
nylon locknut | #6919, qty 2
4-40 x 5/16 screw |
|----------------------------------|----------------------------|---------------------------|-------------------------------|-----------------------------------|



TOOLS USED



BEFORE YOU RUN YOUR TRUCK

PLEASE READ THIS SECTION OF THE MANUAL FIRST. AFTER YOU READ THIS SECTION, READ YOUR ENGINE MANUAL BEFORE YOU START YOUR ENGINE

FINAL ADJUSTMENTS

MAKE THESE ADJUSTMENTS BEFORE RACING

One of several recommended racing fuels:
O'Donnell Racing fuel



MODEL CAR FUEL

The proper fuel is very important for long engine life. Improper fuel can cause hard starting, poor performance, and excessive wear on the engine. The fuels we recommend for R/C car use are: O'Donnell Racing fuel, Duratrax Red Alert fuel, Blue Thunder Race Formula, FSR fuel, Trinity, Byron's Originals, and Traxxas Top Fuel. There are many other racing fuels, however, they must meet two requirements.

1) The fuel must contain at least 18% of both castor and synthetic oils.

2) You should try to keep the nitro (nitromethane) between 10% to 20%. The best fuels also contain rust and corrosion inhibitors, anti wear agents, anti foaming agents and lubrication additives.

3) **IMPORTANT: DO NOT** use any type of airplane fuels. Airplane fuels may not have the necessary oil types and ratios needed for R/C cars.

GETTING THE RADIO READY

Read your radio instructions that come in the box with your radio. You should understand the operation of your transmitter. Place eight of your AA cells in the transmitter, and put four more in the receiver pack, at the rear end of the truck.

It is important that all of the AA radio batteries are strong or fully charged. Always check the path and the condition of the battery pack wires as well as the switch wires. A melted wire can cause a short – circuit and lead to a loss of control. Large metal objects such as chain link fences, light poles, cars, vans, trailers or even fluorescent lights can occasionally cause local interference by momentarily blocking or reflecting a signal.

TESTING THE TRANSMITTER

Important: Always turn your transmitter on first and off last. Remember this rule. **If you start your truck before turning on your transmitter then you will lose control of the truck and damage your engine quickly.** Test the following radio functions without the engine running. These following steps will help you understand the operation of your transmitter.

1. Turn on the transmitter. You should see an indicator light showing that the radio is on.
2. Turn the car receiver battery pack switch on. Both the steering servo and the throttle servo should move to their respective neutral settings.
3. Turn the steering wheel on the transmitter left and right. The front wheels should

turn left and right (when viewed from behind), then go to a perfectly straight-ahead position when the wheel is released. If they're a little off, you can set them with the steering trim control on your transmitter. If your servos are slow, you might want check your batteries before you run.

4. Pull on the throttle trigger, which should open the throttle on the engine.
5. Push the throttle trigger forward, which will activate the brakes.
6. Hold the throttle open and roll the truck on the ground. The truck should roll freely. While it is still rolling, push on the brakes. The truck should come to an immediate stop. If these steps do not produce these results refer to the linkage assembly setup in this manual.

CHECKING THE CARBURETOR

Let's check the carburetor linkage before you fire up the engine for the first time.

Pull off the air filter. Turn the transmitter on first, followed by the truck.

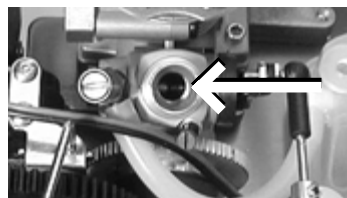
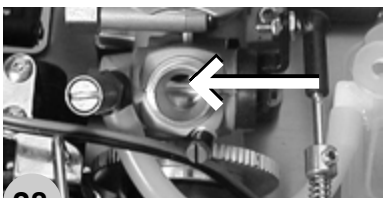
With your finger off the throttle, which is the neutral position, the throttle should be almost closed, with an opening about 1/32" (.71mm), as shown below.

Pull the throttle wide open and look into the carburetor and see if it's opening all the way up. If you don't see the gap shown below, then adjust the "throttle trim adjustment" on your transmitter according to the radio manual, or adjust the linkage shown to you earlier in this manual to achieve full throttle.

When everything is adjusted OK, turn

the switch off in your truck first, followed by your transmitter. You must remember to turn off your truck's electronics every time in this order.

Now, place the air filter back on your carburetor and fasten it back down with a new tie wrap.



You will find your RC10GT truck will give you many more hours of trouble-free operation when you familiarize yourself with these maintenance procedures. You should periodically check all the moving parts: front and

rear a-arms, steering blocks, steering linkage, servo saver, shocks, clutch, brake parts, bushings and bearings, and other moving areas.

Check the radio system, the condition

of the batteries, the fuel tank, and the hoses for leaks. Also check the firmness of mounting of the receiver and servos, and check for any frayed wires or loose connections.

FREQUENCY CRYSTALS

Every radio system comes with a set of two frequency crystals. One is marked for the transmitter (TX) and the other for the receiver (RX). They should be the same frequency for both places. Your kit will come with 27MHZ crystals. Some of these frequencies are shown here.

If you run by yourself only, then you will not have any frequency conflict problems. If you run with someone else, then you must make sure that you are on different frequencies. If you and another person are both

using the same frequency, you can crash each other's trucks or cause it to go out of

control simply by turning on your radio while his truck is running.

27MHZ	Color	Channel #
26.995	brown	1
27.045	red	2
27.095	orange	3
27.145	yellow	4
27.195	green	5
27.255	blue	6

(There are many more crystals available.)



AIR FILTER

NEVER run your truck without the air filter on. The air filter is essential for keeping dirt out of the engine. The air filter should be inspected carefully every time you refuel. When the air filter starts to get dirty, do the following steps:

1. Clean the foam out with fuel. Do this by pouring a little fuel in a small can and knead-

ing the filter in the fuel. When the foam looks cleaner, then dispose of the fuel properly.

2. Dry the filter. Squeeze out the fuel with a paper towel until it's dry.

3. Apply Associated's #7710 foam pre-filter treatment to help keep the dirt out. Dab the treatment all around the filter, put the filter in a plastic bag and knead it until the filter is saturated, but not soaked.



#7710 optional Foam Pre-filter Treatment

CLEANING YOUR TRUCK

If your truck should get any dirt in the moving or pivoting locations, it can reduce handling or performance. The easiest way to keep your gas truck clean is with a small

paint brush or toothbrush. This will help you to get the dirt and mud out of the moving locations.

Whenever your bushing and bearings are not moving freely, spray them with electric

motor cleaner and lightly oil the bushings or bearings with a lightweight electric motor oil. It is good to do a visual inspection before you start your truck every time.

DIFFERENTIAL MAINTENANCE

You should rebuild the differential when the action gets somewhat "gritty" feeling. To check, hold one rear wheel stationary while turning the other one. It should feel smooth, not gritty. Usually cleaning the diff parts and applying new lube as in the instructions will bring it back to new condition. The stan-

dard 3/32" carbide balls rarely need replacing. Normally, as the parts seat, the diff will get smoother. If the diff still feels gritty after carefully cleaning and re-lubing the diff parts, the thrust balls, thrust washers, and the drive rings should be checked and possibly replaced. The parts will normally wear out in the following order:

1. #6575 5/64" diff thrust balls (qty 6)
2. #6573 diff thrust washers (2)
3. #6579 diff drive rings (2)

Refer to the differential section to correctly assemble the diff.

There are several different adjustments on your RC10GT truck can help you adjust steering, traction, and the handling for different track conditions.

CLUTCH ADJUSTMENT AND ENGAGEMENT

When the engine revs increase, the clutch shoes, attached to the flywheel on the shaft within the clutch bell, are flung outward by centrifugal force. The shoes engage the inside of the clutch bell to turn the bell and accelerate your truck. The shorter the clutch shoes, the higher the engine must rev before the shoes engage (a shorter contact patch contributes to this too). A clutch shoe at stock length engages the clutch bell more quickly than the short ones (we recommend using the stock clutch shoe length for most conditions). To adjust when your clutch engages, you can change the number of clutch shoes or alter their length. Changing your clutch shoes mainly depends

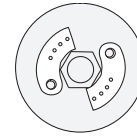
on the track conditions.

In general, the better the traction, the longer the shoes (quicker clutch engagement, quicker acceleration).

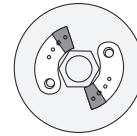
The slicker the track, the shorter the shoes (slower engagement), which prevents tire spinning.

To decrease the clutch engagement, try cutting the Teflon shoes one hole shorter using a hobby knife. Do not trim away more clutch than necessary, or engine damage may occur.

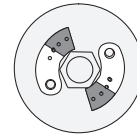
For best performance, try the Associated 4 shoe clutch #7611 (requires two sets of #7601 clutch shoes, see photo). This clutch will allow it to accelerate harder than a 2-shoe clutch and engages more smoothly. The four shoe clutch shoes need to be trimmed before using them. We recommend cutting the shoes between the second and third hole.



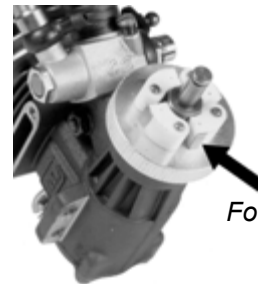
Standard, for quickest engagement (recommended for most conditions).



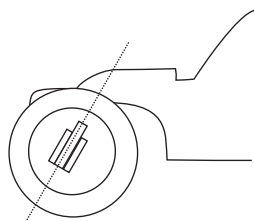
Middle.



Maximum cut, for slowest engagement.



Four shoe clutch



CASTER

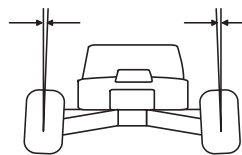
Caster describes the angle of the kingpin in relation to the vertical plane, when looked at from the side of the truck. 30° of caster means the kingpin leans rearward at the top.

30° of caster (stock caster blocks) will give your truck increased steering exiting corners. It will also be more stable when accelerating through fast bumpy track conditions. Less caster (changing to block carriers with 25° of caster) will decrease the amount of steering in the middle and exiting corners. It will also tend to be less stable in fast, bumpy conditions. Recommended:

30° caster blocks.

To get this:
 5° caster
 10° caster
 15° caster
 20° caster
 25° caster
 30° caster

Use this:
 #6211 front block carrier
 #6212 front block carrier
 #6213 front block carrier
 #6214 front block carrier
 #6215 front block carrier
 #6210 front block carrier

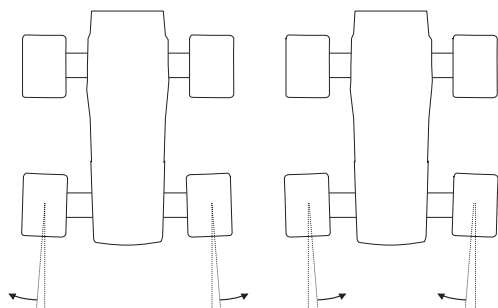


CAMBER

Describes the angle at which the tire and wheel rides relative to the ground when looked at from

the front or rear. Negative camber means that the tire leans inward at the top. Positive camber means just the opposite. (Positive camber should never be used.) Increasing negative camber (more than 3 degrees) will decrease traction and improve stability

in bumps. Less negative camber (0 to 1 degrees) will have maximum amount of traction but will be less stable in bumpy conditions. We suggest using between 1 and 3 degrees of negative camber at all times.



Toe-out

Toe-in

FRONT TOE-IN AND TOE-OUT

Toe-in will make your truck easier to drive by improving stability during acceleration. Toe-out will increase steering when entering corners but will be slightly more difficult to drive. The front toe can be adjusted by adjusting the steering turnbuckles. We suggest using 0 degree toe on your gas truck.

REAR TOE-IN

Rear toe-in affects front and rear traction. Decreasing rear toe-in decreases rear traction and adds steering. Increasing rear toe-in will do the opposite. Your Team and Factory Team kit comes with 3 deg. toe-in in each rear arm mount and 1.5 deg. toe-in for each rear hub carrier. The RTR comes with 0 deg. toe-in in each rear hub carrier. These combinations work best for almost all track conditions.

For less rear toe-in for your Team or Factory Team kit, change to the #7365 hub carriers. For more toe-in for the RTR, change to the #7367 rear hub carriers.

WHEELBASE ADJUSTMENT

The RC10GT wheelbase can be changed easily to allow further fine tuning of your truck for different track conditions. This can be accomplished by moving the 1/8" (3.17mm) plastic spacer on the rear outer hinge pin (next to the rear hub carrier). If the

spacer is located in front of the rear hub carrier, it will lengthen the wheelbase and increase steering. If the spacer is located in the rear of the rear hub carriers (which is the stock position) it shortens the wheelbase and give more rear traction.



CAMBER LINK ADJUSTMENT

Changing the mounting position of the camber links can affect traction, stability, and handling on rough tracks. Use the following guidelines to try and find the correct handling for your track conditions.

Using a longer mounting position will increase traction but decrease stability and rough track handling.

Using a shorter mounting position will decrease traction but increase stability and rough track handling.

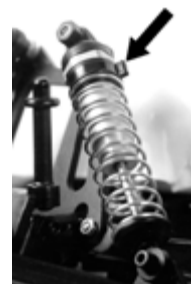
RIDE HEIGHT

Now we check the ride height of your RC10GT to make sure the settings are correct. Before we make this adjustment we should have the truck ready to race (meaning fully loaded with fuel and receiver batteries), but leave off the body.

For the front, push down on the front suspension and then let go. When the suspension stops, the front arms should be level

with the bottom of the chassis kick up. If not, you can make adjustments by using the shock preload clips that come in your kit.

Now push down on the back suspension and let go. The axle driveshafts should be level. Look at the rear end photo to compare. You can make the adjustment by using the shock pre-load clips that come in your kit.



Adjust ride height by adding or subtracting clip-on preload spacer #6475.

SHOCK SPRINGS

Springs are to keep your car level during acceleration, deceleration, and cornering. Stiffer springs will help your suspension respond more quickly, but because of their stiffness will not absorb bumps as well. Use stiffer springs in high traction conditions. Softer springs are best for slippery or bumpy conditions.

Front:	Rear:	Description:	
7426	6481	Black	Soft
7427	6480	Green	↑
7428	6478	Silver	
	6482	Gray	↓
7429	7434	Blue	
7425	7435	Gold	Firm
7430	7436	Red	

GEARING

The RC10GT features the ability to change the gear ratio. The drive reduction of the GT gearbox is 2.60 to 1. Use the following formula to calculate the final drive ratio:

$$\frac{\text{\# Spur gear teeth}}{\text{\# Clutch bell teeth}} \times 2.60 = \text{final drive ratio}$$

Your RC10GT come stock with a 66 tooth spur gear and a 15 tooth clutch bell. This combination will provide the best overall performance for most tracks. Here is a chart showing you different ratios (includes our optional clutch bells):

Clutch Bell:	Part #	Spur Gear:	Final Drive:	
14	7609	66	12.26:1	More Acceleration
15	7605	66	11.44:1	
16	7606	66	10.76:1	↑
17	7607	66	10.09:1	
18	7608	66	9.56:1	More Top Speed

The 14 tooth clutch bell may not fit with a non pull start engine.
The 18 tooth clutch bell may not fit with a pull start engine.

Need more help tuning your GT?

More than 50 illustrations detailing over 40 tuning options to set up your truck to win!

For beginner to intermediate racers. Includes setup sheet with numbered links to each page of the booklet that help explain how the changes affect your truck's handling.

Complete Tuning Guide:



Complete Tuning Guide: GT

7190 e-Book, \$5.95 (online ordering only)
6991 Performance Tuning CD, \$11.95

SETUP SHEET for Team Associated's RC10GT

White numbers in squares are cross-referenced to the #7193 Complete Tuning Guide: GT.

driver _____
 track / city _____
 event _____ date _____

FRONT SUSPENSION

2 ① CASTER 5° 10° 15° 20° 25° 30°
4 ② FRONT RIDE HEIGHT ARMS LEVEL other _____
1 ③ CAMBER _____°
3 ④ TOE-IN _____°
5 ⑥ BUMP STEER SPACERS _____
6 ⑥ STEERING ACKERMAN
 STD OPTIONAL

FRONT SHOCKS

14 BODY STD GRAY other _____
 BODY 1.02 other _____
16 SHAFT 1.02 other _____
 SHAFT STD Unobtainium
19 LIMITERS:
 inside _____
 outside _____
17 PISTON # _____
18 SPRING _____
15 OIL _____ wt
20 SHOCK MOUNTING
 tower: a / b arm: c / d

CLUTCH

36 CLUTCH BELL TEETH/PITCH ___ T / ___ P
38 SPUR: _____ T
35 SHOES 2 4 other _____ Bearings Bushings

35 INDICATE HOW CUT:

REAR SUSPENSION

8 ① CAMBER _____°
11 ② REAR RIDE HEIGHT:
 BONES LEVEL other _____
 MIP CVD's DOGBONES UNIVERSALS
10 ③ TOE-IN total, per side:
 0°
 3°
 4.5°
 6°

13 WHEELBASE ADJUSTMENT
 SHORT LONG

REAR SHOCKS

14 BODY STD GRAY other _____
 BODY 1.32 other _____
16 SHAFT 1.32 other _____
 SHAFT STD Unobtainium **17** PISTON # _____
19 LIMITERS:
 in _____
 out _____
18 SPRING _____
15 OIL _____ wt
21 SHOCK MOUNTING
 tower: a / b / c / d
 arm: e / f
9 CAMBER LINK ADJ:
 tower: g / h / i / j

OTHER

17 WEIGHTS _____ (oz/gm) **24** TIRE ADDITIVE yes no
41 BODY _____ **42** SPOILER **27** .12 .15 **28** PULL START NON PULL START
22 FRONT TIRES _____ **25** FOAM _____ **29** ENGINE TEMP: _____°
23 REAR TIRES _____ **25** FOAM _____ **34** TUNED PIPE: ASSOC. other: _____
26 FRONT WHEELS 1 PC. other _____ **30** FUEL: _____ NITRO: 20% other _____ %
26 REAR WHEELS 1 PC. other _____ **31** CARB TYPE: _____ rotation slide valve
40 CHASSIS: STD other: _____ **32** CARB RESTRICTOR: .190 .180 .170 NONE
43 RADIO _____ **44** SERVO _____ **33** GLOW PLUG TYPE: _____
37 SLIPPER SETTING: STD LOOSER TIGHTER

45 TRACK CONDITIONS

SURFACE: smooth bumpy BUMPS: _____
 TRACTION: low med. high
 COMPOSITION:
 sandy soft dirt grass clay other _____
 wet dry dusty other _____
 NOTES: _____

46 RACE COMMENTS

MAIN _____ PLACE _____ TQ
 NOTES _____

47 TRUCK COMMENTS

NOTES _____