

APEX MINI

T O U R I N G

#20119 APEX Mini RTR

READY-TO-RUN
ELECTRIC ON ROAD 4WD TOURING CAR



1:18 Scale Electric 4WD Touring Car Manual & Catalog

RIVAL MINI

MONSTER TRUCK

#20111 RIVAL Mini RTR

READY-TO-RUN
ELECTRIC OFF ROAD 4WD MONSTER TRUCK



1:18 Scale Electric 4WD Monster Truck Manual & Catalog

2/13

QUALIFIER

S E R I E S

CAE

TEAM ASSOCIATED

Thank you for choosing Team Associated.

Team Associated wants you to enjoy driving and maintaining of your new RC Car. If you come across any problems or need help with the maintenance of your RC Car, please give us a call and we will do our very best to help you.

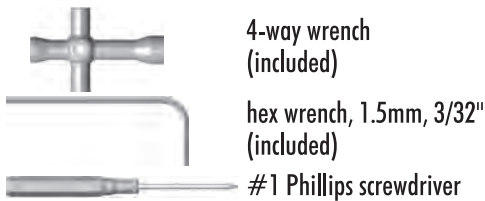
The RTR

Your new RC Car comes factory assembled with radio gear and battery. You will need to purchase 6 AA batteries for your transmitter. Please see the Quick Start Guide for installing your AA batteries.

The Manual

Examine each step carefully before building. Special notes for each step will be marked with a ▽. FT parts will be marked in **BOLD** text. Certain steps will notate left and right sides of the vehicle. For assembly, the left side of the vehicle is the 'driver' side of the car....it would be built as if you are sitting in the driver's seat.

recommended tools for assembly and maintenance



items required to operate your vehicle



Customer Support

Tel: 949.544.7500
Fax: 949.544.7501

Hours: 8:00am - 4:00pm, pst

<http://www.rc10.com>
<http://www.TeamAssociated.com>



recommended servo list

using kit mount:
XP C1016 • ACE C1016 • Futaba S3106

using optional mount (part # 21049)
Hitec HS-56HB

Chassis Specs

	RIVAL Mini MT	APEX Mini
Length:	225mm	270mm
Width:	188mm	142mm
Wheelbase:	154mm	154mm
Internal Gear Ratio:	2.5:1	2.5:1
Weight (w/body):	605g	562g
Drivetrain:	Shaft drive	Shaft drive

:: Quick Start Guide

Battery Charging Steps and Safety:

NiMH Wall Charger: (Part #29154 - Wall Charger AC 120V 350mAh)

Remove the battery from the vehicle before charging. Be sure to select the correct charging mode for the type of battery you are charging.

NEVER leave the battery unattended while charging!

NiMH: NiMH batteries (nickel-metal hydride) are high current rechargeable batteries. If you use a peak detection charger, make sure it is designed for NiMH batteries!



Plug in Wall Charger



**Plug wall charging jack into battery pack.
(Battery must charge a full 10 hours.)**



After battery is charged, unplug the wall charger from the battery, unplug the wall charger from the wall, plug the battery into the speed control.

:: Quick Start Guide - (cont.)

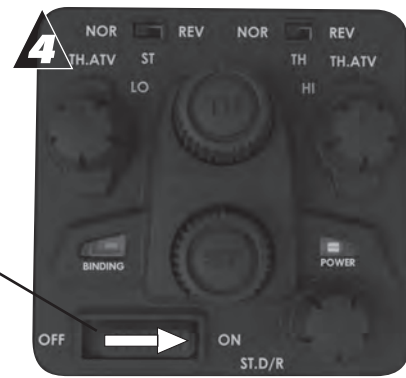
Radio System Tuning and Controls:

RULE: Transmitter on First/Vehicle on Second.
When done driving: Vehicle off First/ Transmitter off Last!

- 1) Slide the battery cover in the direction shown to remove cover.
- 2) Install eight (8) alkaline or rechargeable AA size batteries into the battery holder.
- 3) Slide the battery cover back into place making sure it is completely closed and secure.
- 4) Turn the power ON. If the power indicator LED fails to light, check the batteries for insufficient contact or incorrect polarity.

While pressing this part

Battery cell (x6)



On/Off Switch

:: Quick Start Guide - (cont.)

Radio System Tuning and Controls:

DO NOT hold the trigger when turning on the radio.

If using optional battery for transmitter, be sure to plug it in correctly. Plugging in a battery backwards can cause damage.

Refer to Radio owners manual for more in-depth instructions on radio operation and functions.

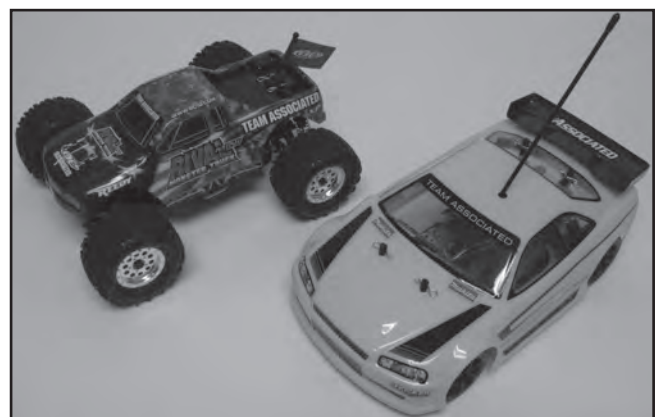


Throttle set to Neutral when turning on the radio !

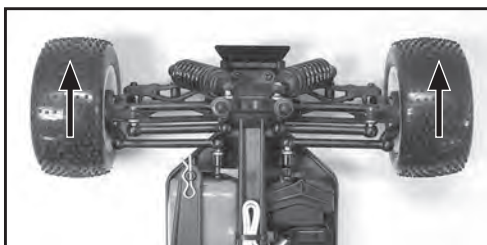
:: Quick Start Guide - (cont.)



Adjust steering trim so front wheels point straight.



**Install body and body clips.
Ready to go!**



:: Wiring Diagrams

Motor and Receiver Wiring:

1. If motor runs in reverse when you apply throttle, check throttle reversing switch on transmitter. Reset speed control (see ESC Manual)
2. Your Receiver has multiple channel ports for plugs.

Channel 1 - you should always plug your steering servo into this channel port.

Channel 2 - you should always plug your speed control (ESC) into this channel port.

Channel 3 - Used for optional equipment such as fans, lights, ect...

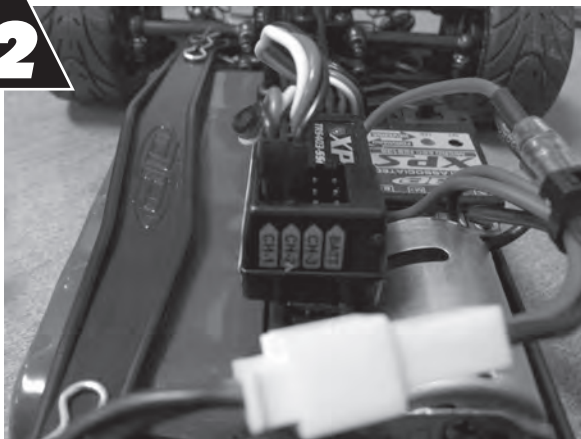
Batt - Used for optional receiver battery pack. Not used in this model.

Negative black wires on steering servo and speed control plugs should face the outside edge of receiver where channel markers are located.



:: Wiring Diagrams

Unplug battery.



WARNING

To avoid a possible fire hazard, ALWAYS unplug the battery after use. Do NOT leave your vehicle unattended with the battery plugged in.

:: XPS Micro Electronic Speed Control

XPS Features

- Uses the latest SMD-MOS FET's for more power and extended run times.
- Forward/Reverse Speed Control with switchable Forward-Only Racing mode*.
- Real-Time Braking
- Plug-and-play setup.
- Compact size; fits most vehicles.

Precautions

- Never run your vehicle in water. This could result in an electronic device shorting out and causing a fire.
- Connecting a separate battery pack to the motor while the XPS ESC is connected to the motor may ruin the ESC. This will void your warranty.
- Avoid incorrect connections. Reverse polarity will damage the unit and void your warranty.
- Do not let output tabs (where wires connect to ESC) touch any other surface. This may short your ESC and void your warranty.
- Do not attach a Schottky diode to your XPS ESC or motor. This will ruin the forward/reverse ESC and void your warranty.

Specifications

Product Name:	XPS
Product Part Number:	29136
Voltage Input:	4.8 - 8.5 Volts
Internal Resistance:	0.0045ohm
Momentary Load (1 sec):	50A
Brief Load (30 sec):	30A
Continuous Load (5 min):	20A
Recommended Motor:	Micro Motor
BEC Voltage:	5V
BEC Current:	1A
Frequency:	2.8KHz
Reverse:	Yes
Overload Protection:	Yes
Setup Procedure:	Digital/Push Button
Mode Switch (Reverse/Brake):	Yes
Weight:	31g
Case Dimension:	26 x 25.6 x 15.6mm

:: XPS Micro Electronic Speed Control, cont.

Installation

Before installing the electronic speed control (ESC) into your vehicle, please read the instruction manual carefully.

1. Using double-sided tape, mount the ESC to the chassis.
2. Connect the ESC to the receiver by installing the plug into channel 2 on the receiver.
3. Connect the single red wire of the ESC to the single red wire on the motor.
4. Connect the single black wire of the ESC to the single black wire on the motor.
5. Make sure switch on the ESC is turned OFF. Connect the white plug on the ESC to the plug on the battery pack. ESC is now ready to be set up.

Setup Procedure

Follow the instructions below to setup your XPS ESC.

1. Turn the transmitter on.
2. Turn the ESC switch on.
3. Using a plastic tool, press and hold the ESC 'Set' button for at least 3 seconds. The setup LED will flash red/green to confirm that the unit is in setup mode.
4. Leaving the transmitter trigger at neutral, press the setup button once. The 'Throttle Neutral' setting has been stored, and the setup LED is now green.
5. Pull the transmitter trigger back to full throttle and press the setup button once. Release trigger. The 'Throttle Full' setting as been stored, and the setup LED is now red.
6. Push the throttle trigger forward to full brake and press the setup button once. The 'Brake Full' setting has been stored, and the setup LED flashes red/green 3 times simultaneously.

Your XPS Electronic Speed Control has been set and your vehicle is ready to run. If you make a mistake during the setup procedure, don't worry; disconnect the battery for about 10 seconds and start over with step 1.

***Forward-Only Racing Mode**

The XPS Micro ESC has a Forward-Only Racing Mode built in. This allows you to turn off reverse for racing purposes.

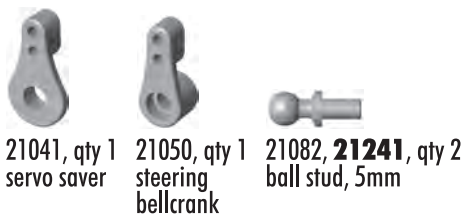
To turn reverse off (Forward-Only Racing Mode):

- 1) Make sure XPS Micro ESC is turned off.
- 2) While holding down the ESC Set button, turn your ESC on. Forward-Only Racing Mode has been engaged.

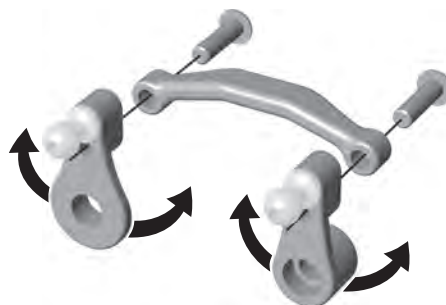
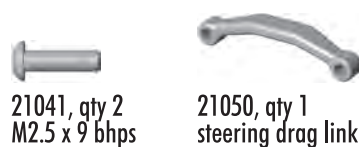
To turn reverse on (Forward/Reverse Sport Mode):

- 1) Make sure XPS Micro ESC is turned off.
- 2) While holding down the ESC Set button, turn your ESC on. Forward/Reverse Sport Mode has been engaged.

▶ Bag A - Step 1

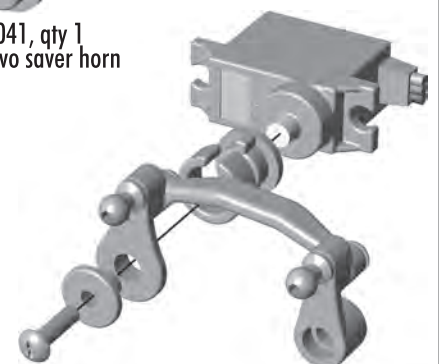
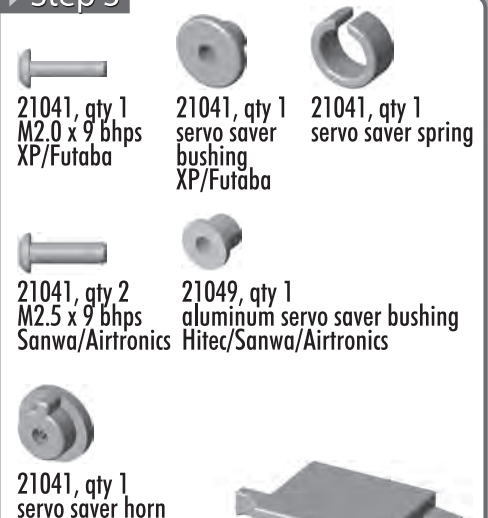


▶ Step 2



! should be 'free' movement

▶ Step 3



▶ Step 4



21050, qty 2
steering bellcrank
bushing



21050, qty 1
steering bellcrank
hinge pin



▶ Step 5



21040, qty 1
servo mount



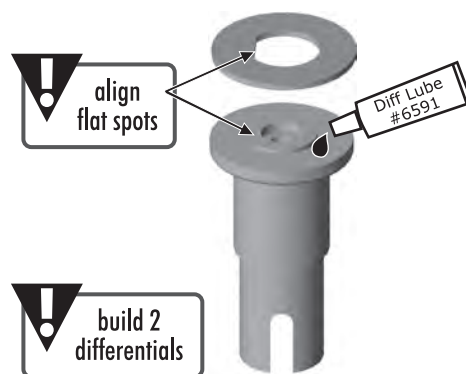
▶ Bag B - Step 1



21027, qty 1
diff outdrive (long)



21115, qty 1
diff drive ring



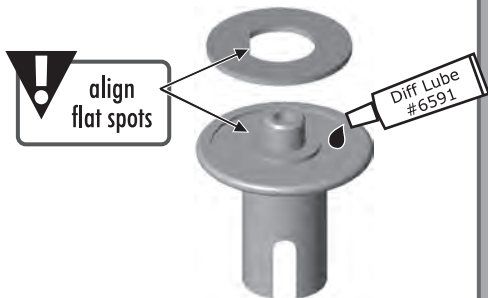
▶ Step 2



21027, qty 1
diff outdrive (short)



21115, qty 1
diff drive ring



▶ Step 3



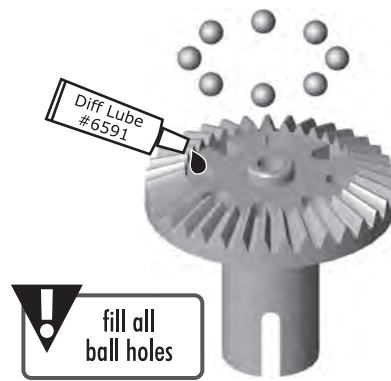
21022, qty 1
diff gear



▶ Step 4



21115, **21116***, qty 8
diff balls, 2mm



▶ Step 5



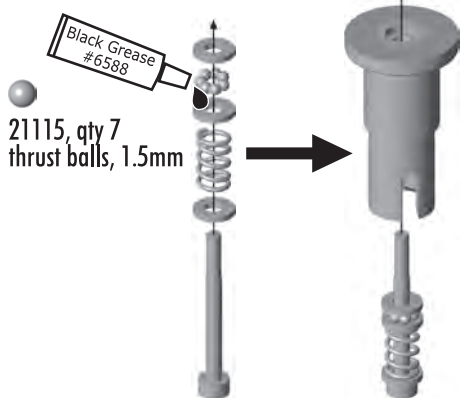
21115, qty 3
thrust washer



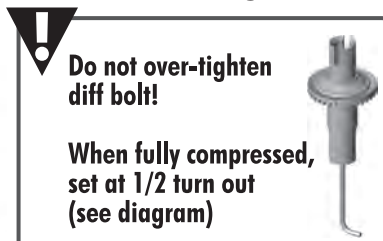
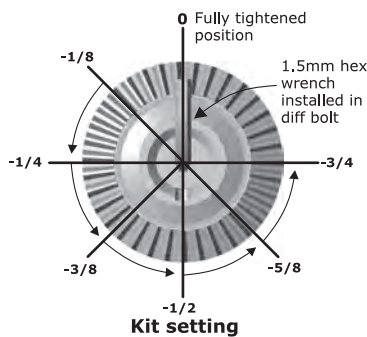
21115, qty 1
diff spring



21115, qty 1
diff bolt



▶ Step 6



▶ Step 7



21027, qty 1
dogbone spring
cup



21106, qty 2
8 x 12 x 3.5 bearing
cup



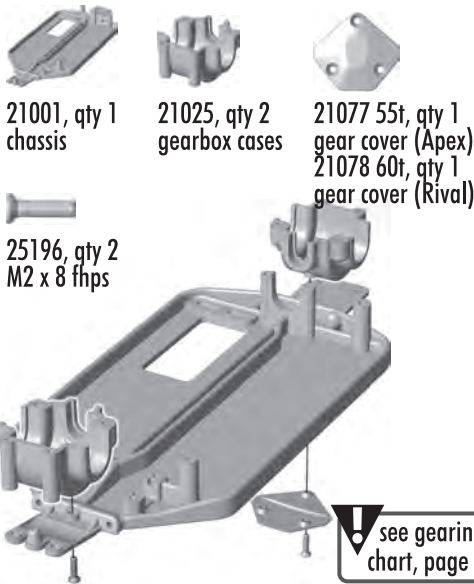
21141, qty 2
18T diff shim



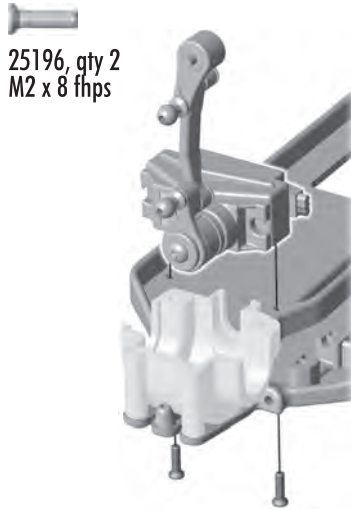
21243, qty 4
Outdrive Sleeves



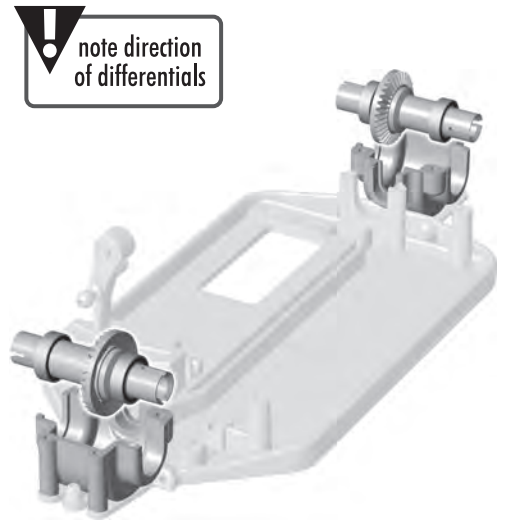
▶ Bag C - Step 1



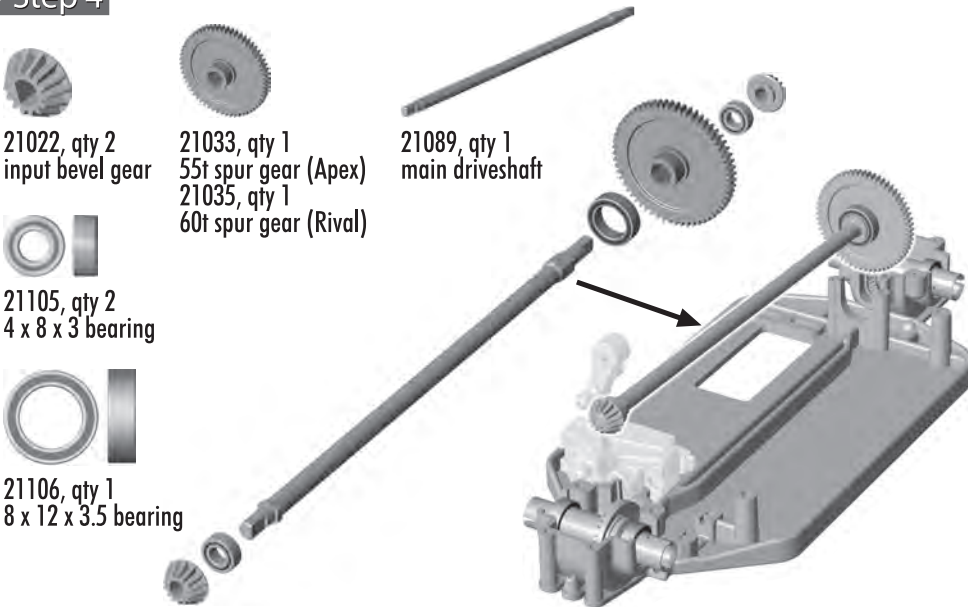
▶ Step 2



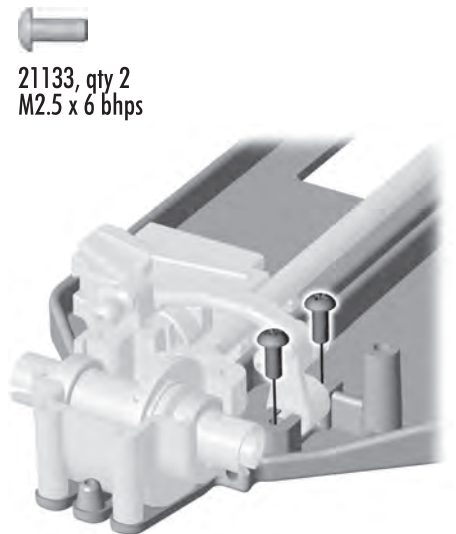
▶ Step 3



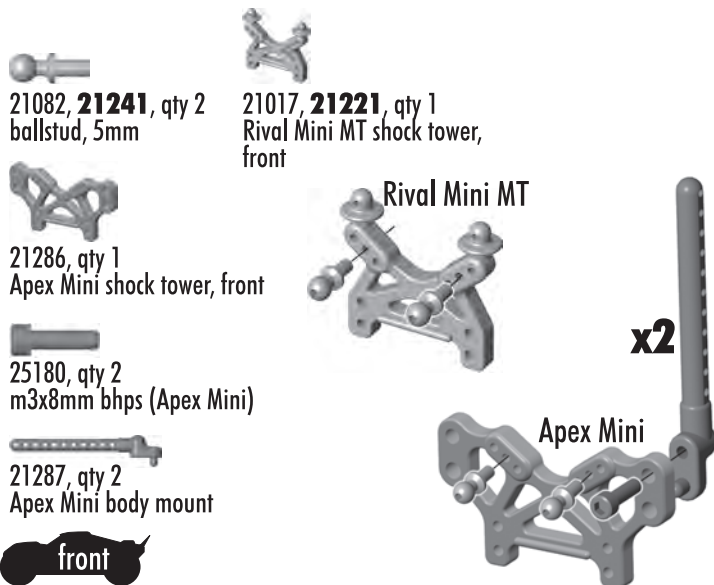
▶ Step 4



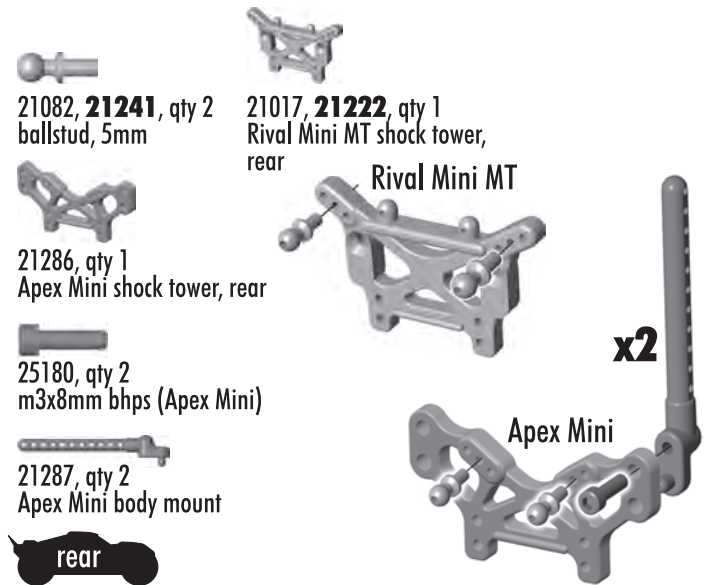
▶ Step 5



▶ Bag D - Step 1



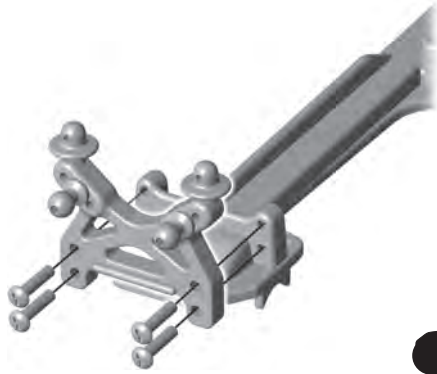
▶ Step 2



▶ Step 3

21259, qty 1
chassis top plate

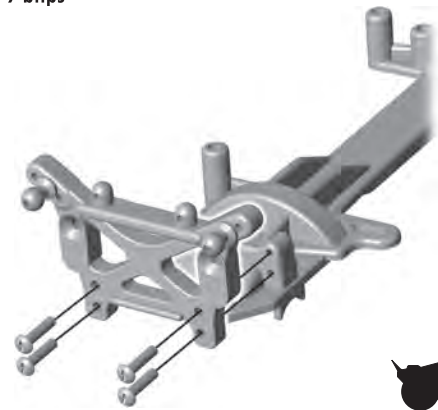
21132, qty 4
M2 x 9 bhps



front

▶ Step 4

21132, qty 4
M2 x 9 bhps

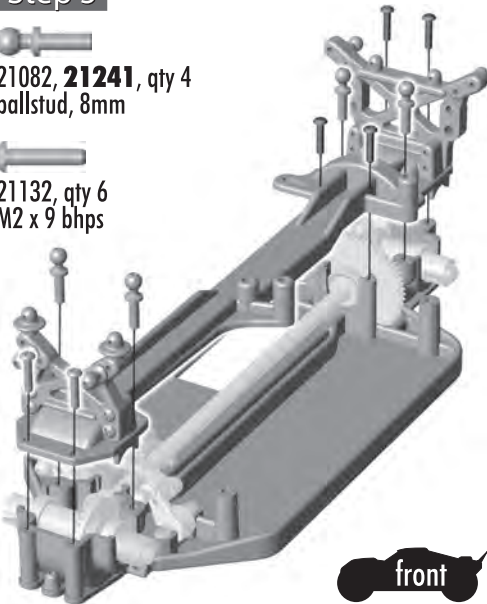


rear

▶ Step 5

21082, **21241**, qty 4
ballstud, 8mm

21132, qty 6
M2 x 9 bhps



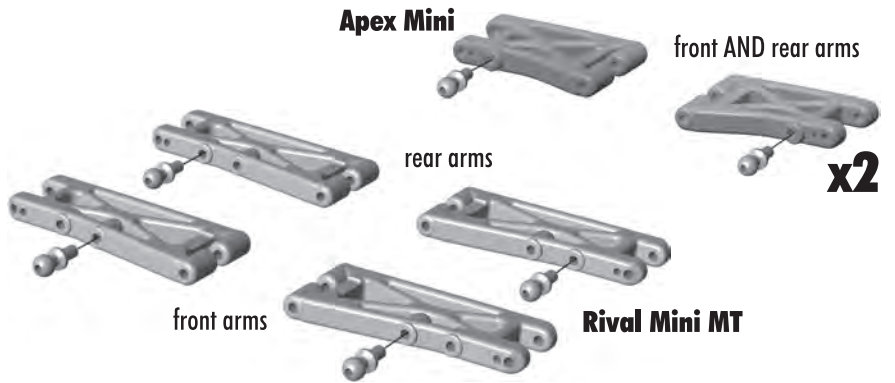
front

▶ Bag E - Step 1

21082, **21241**, qty 4
ballstud, 5mm

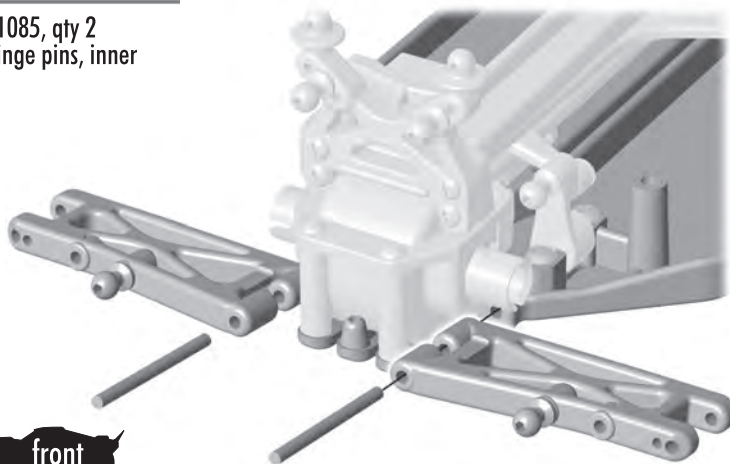
21008, **21220**, qty 4
suspension arm, Rival Mini MT

21282, qty 4
suspension arm, Apex Mini



▶ Step 2

21085, qty 2
hinge pins, inner



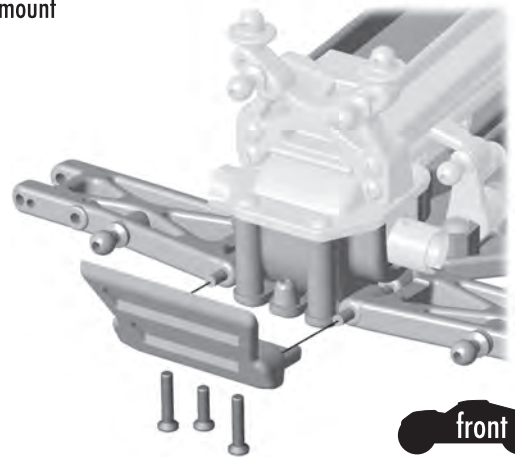
front

▶ Step 3

21005, qty 1
front bumper/arm mount

21135, qty 2
M2 x 12 fhps

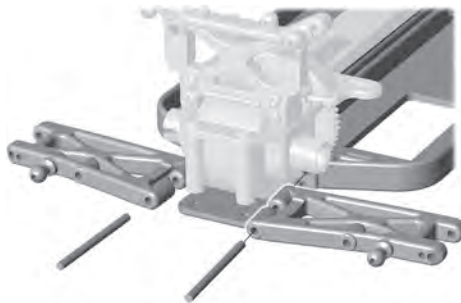
25196, qty 1
M2 x 8 fhps



front

▶ Step 4

21085, qty 2
hinge pins, inner



rear

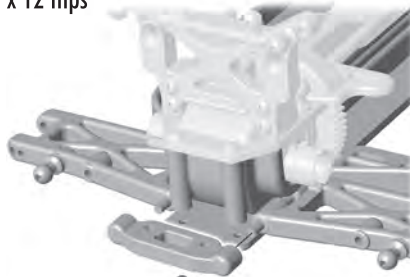
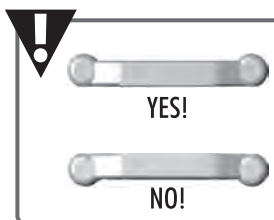
▶ Step 5



21005, qty 1
rear arm mount



21135, qty 2
M2 x 12 fhps



rear

▶ Bag F - Step 1



21015, **21225**, qty 2
caster block



21082, **21241**, qty 2
ballstud, 5mm



right



left

▶ Step 2



21016, **21223**, qty 2
steering block



21082, **21241**, qty 2
ballstud, 5mm



right

left

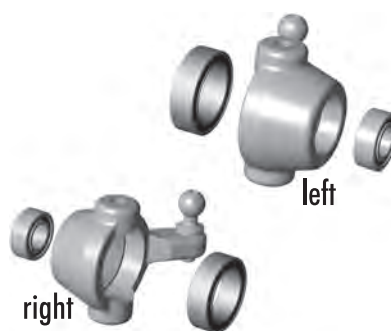
▶ Step 3



21105, qty 2
4 x 8 x 3 bearing



21106, qty 2
8 x 12 x 3.5 bearing



left

right

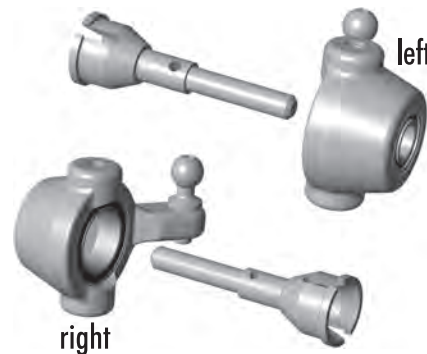
▶ Step 4



21095, **21230**, qty 2
stub axle, Rival Mini MT



21283, qty 4
stub axle, Apex Mini



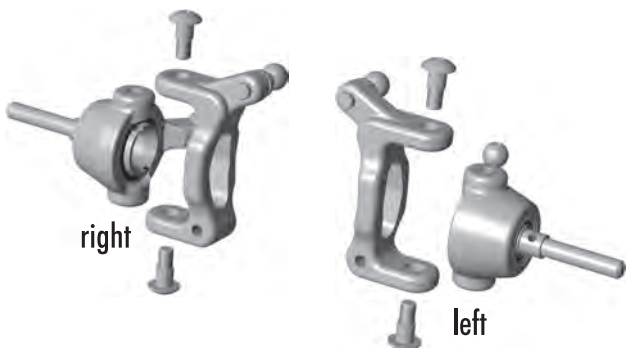
left

right

▶ Step 5



21131, qty 4
M2.5 x 3 bhps (kingpin screw)



right

left

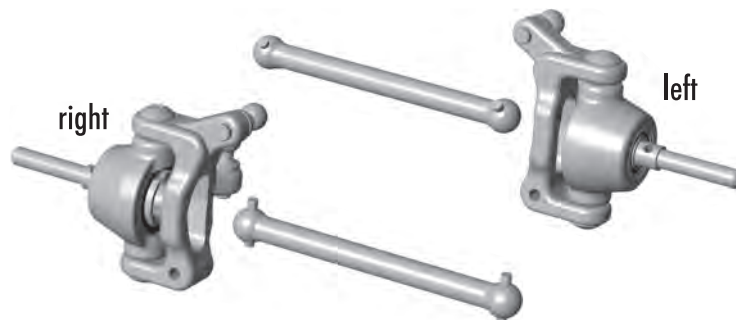
▶ Step 6



21030, **21031**, qty 2
dogbone, Rival Mini MT



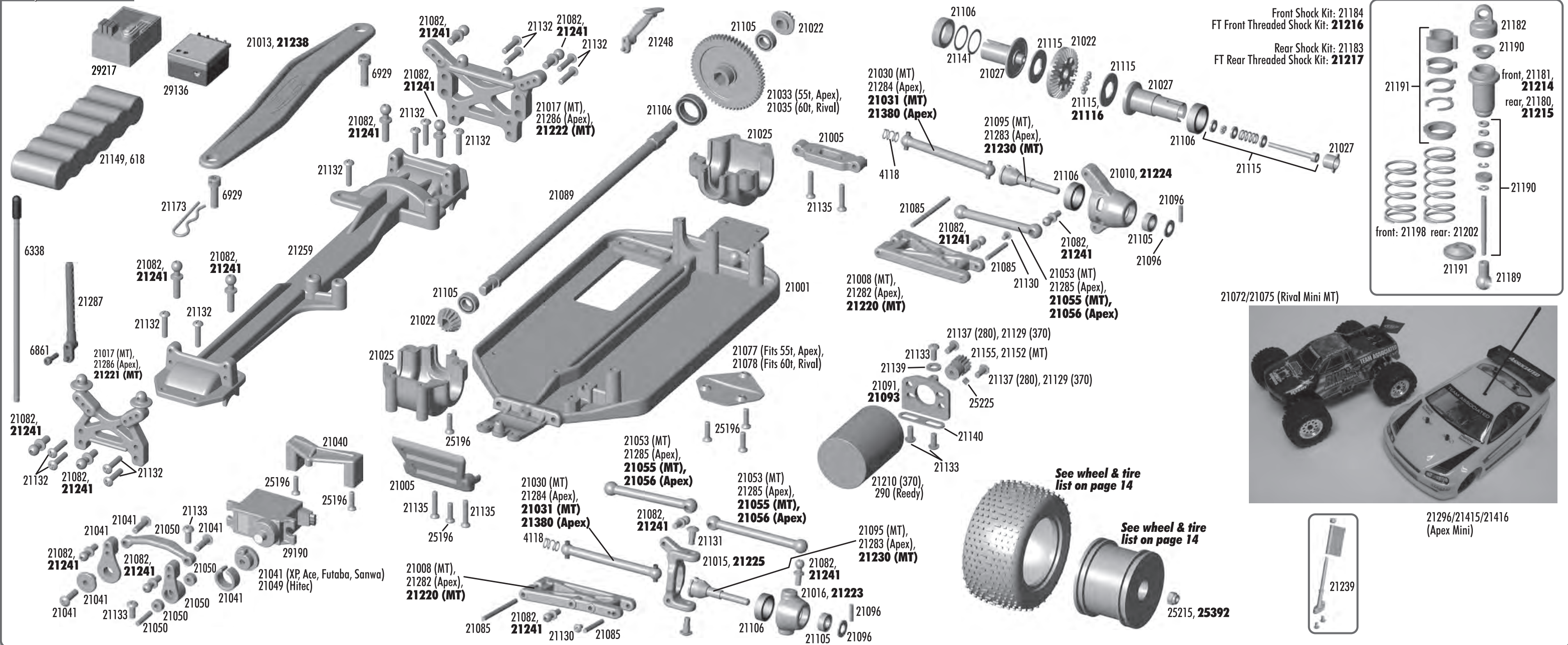
21284, **21380**, qty 2
dogbone, Apex Mini



right

left

► Exploded View



► Parts List

4118	.014 Spring (Dogbone Spring)	Pr.	21053	Suspension Linkage (MT)	Set	21134	M2.5 x 9 BHPS	20	21189	Ballcup, short, for shocks	12	21301	Carbon Design Niteline Wing	1
6338	Antenna Tube & Cap	1	21072	MT Flag Body, with decals (MT)	1	21135	M2 x 12 FHPS	20	21190	Shock Rebuild Kit, rebuilds 4 shocks	Set	21380	MIP CVDs (Apex)	2
21001	Chassis	1	21074	Truck Clear Body, w/decals/window mask (MT)	1	21137	M2.5 x 4 BHPS	20	21191	Shock Accessories	Set	21415	APEX Mini Painted Niteline Body, Yellow	1
21005	Arm Mount, front & rear	Set	21075	MT Clear Body, w/decals/window mask (MT)	1	21139	M2.5 Washers	20	21197	Shock Spring, front, silver, 2.55 lb/in	Pr.	21416	APEX Mini Painted Niteline Body, Blue	1
21008	Suspension Arm (MT)	Pr.	21076	MT Decal Sheet & Window Masks	1	21140	Motor Mount Plate	2	21198	Shock Spring, front, blue, 3.0 lb/in	Pr.	25180	M3 x 8 BHPS	20
21010	Rear Hub Carrier	2	21077	Chassis Gear Cover - 55t, Apex Mini	1	21141	Diff Shims	4	21199	Shock Spring, front, gold, 3.45 lb/in	Pr.	25196	M2 x 8 FHPS	20
21013	Battery Brace, 4 cell, 5/6 cell	Set	21078	Chassis Gear Cover - 60t, Rival Mini	1	21146	Screw Set	Set	21201	Shock Spring, rear, silver, 1.64 lb/in	Pr.	25215	M3 Locknuts	20
21015	Caster Block, left or right	2	21082	Ballstud Set	Set	21152	Pinion Gear, 10t (Rival Mini)	1	21202	Shock Shaft, rear, blue, 1.90 lb/in	Pr.	25225	M3 x 3 Setscrews	20
21016	Steering Block	2	21085	Hingepin Set	Set	21153	Pinion Gear, 12t	1	21203	Shock Spring, rear, gold, 2.35 lb/in	Pr.			
21017	Shock Towers, front & rear (MT)	Pr.	21089	Main Driveshaft	1	21154	Pinion Gear, 13t	1	21239	Flag Kit	1			
21022	Differential & Input Gear	Set	21091	Motor Mount	1	21155	Pinion Gear, 14t	1	21243	FT Blue Outdrive Sleeves	4			
21024	Complete Differential Kit	1	21095	Stub Axles (MT)	2	21156	Pinion Gear, 15t	1	21259	Top Plate	1			
21025	Gearbox Cases	2	21096	Stub Axle Pins & Spacers	Set	21158	Pinion Gear, 16t	1	21282	Suspension Arms (Apex)	Set			
21027	Differential Outdrives, long & short	Set	21105	Bearing, 4 x 8 x 3	2	21159	Pinion Gear, 17t (Apex Mini)	1	21283	Stub Axles (Apex)	2			
21030	Dogbones & Springs (MT)	Set	21106	Bearing, 8 x 12 x 3.5, rubber sealed	2	21160	Pinion Gear, 18t	1	21284	Dogbones & Springs (Apex)	Set			
21033	Spur Gear/Drive Cup, 55t	1	21107	Bearing Set	Set	21157	Pinion Gear, 11t	1	21285	Suspension Linkage (Apex)	Set			
21035	Spur Gear/Drive Cup, 60t, std	1	21115	Differential Rebuild Kit	1	21173	Body Clips	12	21286	Shock Towers, front & rear (Apex)	Pr.			
21040	Servo Mount	1	21129	M3 x 5 BHPS	20	21180	Shock Body, rear	Pr.	21287	Body Mounts (Apex)	4			
21041	Servo Saver, XP, Ace, Futaba, Sanwa	Set	21130	M2 x 3 BHPS	20	21181	Shock Body, front	Pr.	21295	Painted Niteline Body	1			
21049	Servo Saver, Hitec HS-56	Set	21131	M2.5 x 3 BHPS	4	21182	Shock Caps	4	21296	Clear Niteline Body	1			
21050	Steering Bellcrank Parts	Set	21132	M2 x 9 BHPS	20	21183	Shock Kit, rear	Pr.	21297	Painted Kamino Body	1			
21052	Turnbuckle Set, steel, with ballcups	Set	21133	M2.5 x 6 BHPS	20	21184	Shock Kit, front	Pr.	21298	Clear Kamino Body, decals/window masks	1			

► Power System

21149	1100mah NiMh 6 Cell Battery Pack	1
21210	Super 370 Motor	1
29136	XPS Micro Speed Control	1
29190	XP DC0915 Servo	1
29215	XP2G 2.4GHz Radio System	1
29217	TRS 402-SSi Receiver	1

(MT) = Monster Truck (Apex) = Road/Rally

▶ Step 7



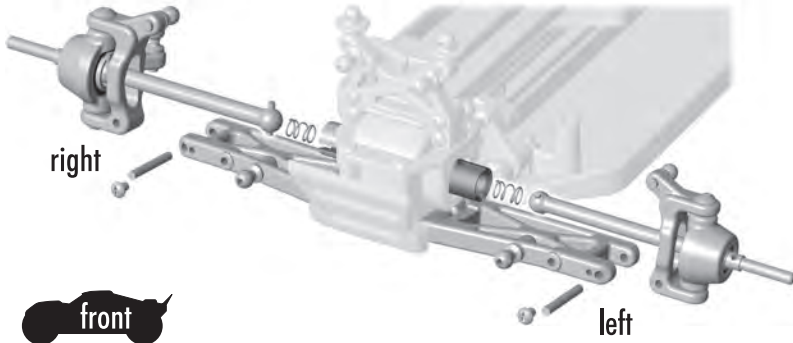
4118, qty 2
dogbone spring



21085, qty 2
hinge pins, outer



21130, qty 2
M2 x 3 bhps



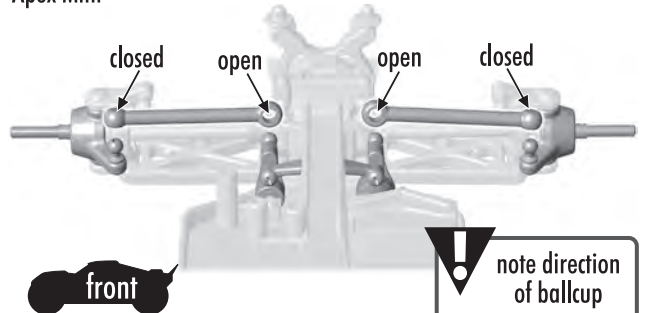
▶ Step 8

Factory Team Turnbuckle Length

21053, **21055**, qty 2
steering tierod (long)
Rival Mini MT



21285, **21056**, qty 2
steering tierod (long)
Apex Mini

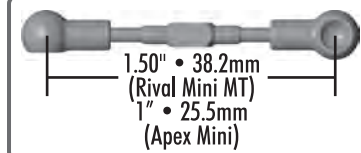


! note direction of ballcup

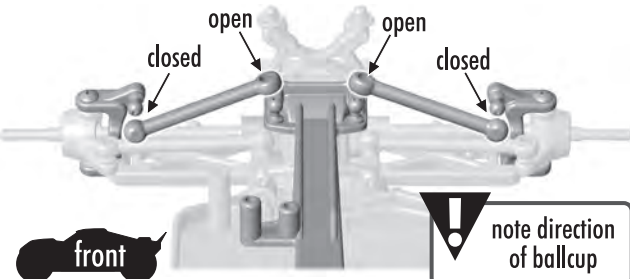
▶ Step 9

Factory Team Turnbuckle Length

21053, **21055**, qty 2
suspension upper tierod (short)
(Rival Mini MT)

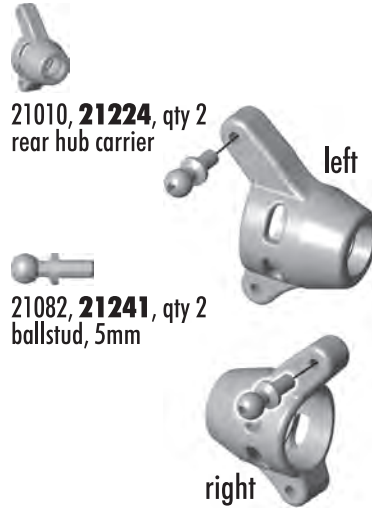


21285, **21056**, qty 2
suspension upper tierod (short)
(Apex Mini)

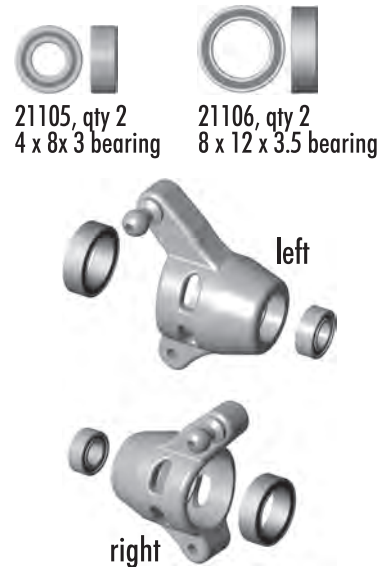


! note direction of ballcup

▶ Step 10



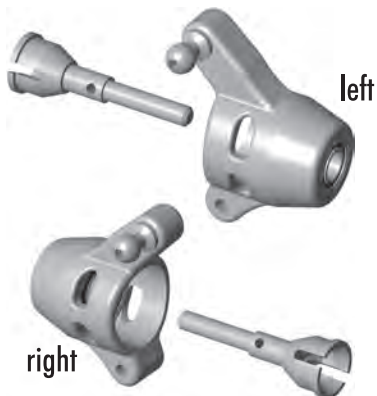
▶ Step 11



▶ Step 12

21095, **21230**, qty 2
stub axle, Rival Mini MT

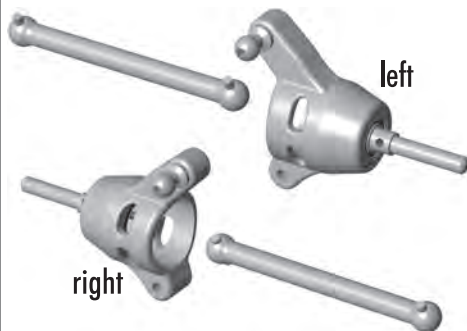
21283, qty 4
stub axle, Apex Mini



▶ Step 13

21030, **21031**, qty 2
dogbone, Rival Mini MT

21284, **21380**, qty 2
dogbone, Apex Mini



Having Problems?

Associated Electrics, Inc.

26021 Commercentre Dr.
Lake Forest, CA 92630-8853 USA

Customer Support

Tel: 949.544.7500
Fax: 949.544.7501

Hours: 8:00am - 4:00pm, pst

<http://www.rc10.com>
<http://www.TeamAssociated.com>

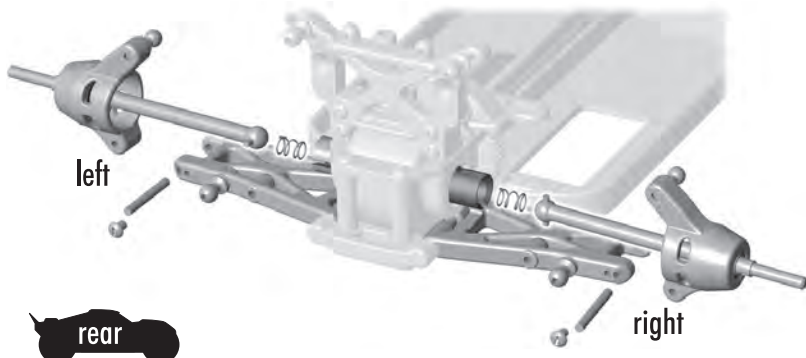


▶ Step 14


4118, qty 2
dogbone spring


21085, qty 2
hinge pins, outer

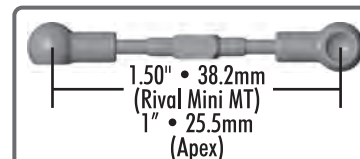

21130, qty 2
M2 x 3 bhps



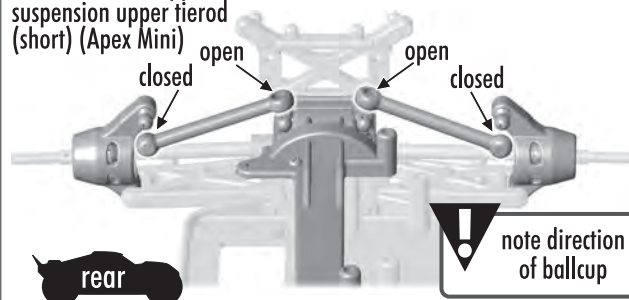
▶ Step 15

Factory Team Turnbuckle Length


21053, **21055**, qty 2
suspension upper tierod
(short) (Rival Mini MT)




21285, **21056**, qty 2
suspension upper tierod
(short) (Apex Mini)



Apex Mini uses #21181 (#21214) front shocks (short shocks) on the front AND the rear.

▶ Bag G - Step 1 Front Shocks


21190, qty 2
e-dip


21190, qty 1
piston


21190, qty 1
front shock shaft (short)


Rival Mini MT:
build 2 short shocks
Apex Mini:
build 4 short shocks



▶ Step 2


21181, **21214**, qty 1
front shock body (short)


21190, qty 2
o-ring

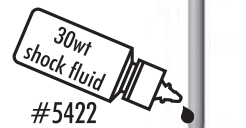

21190, qty 1
shock body seal cap


cap should 'snap' in place



▶ Step 3


21189, qty 1
ball cup, short



▶ Step 4 Rear Shocks


21190, qty 2
e-dip


21190, qty 1
piston


21190, qty 1
rear shock shaft (long)


Rival Mini MT:
build 2 long shocks



▶ Step 5


21180, **21215**, qty 1
rear shock body (long)


21190, qty 2
o-ring


21190, qty 1
shock body seal cap


cap should 'snap' in place



▶ Step 6


21189, qty 1
ball cup, short



▶ Step 7

fill to top with oil
#5422

move shaft up & down to remove air bubbles

fill to top with oil
#5422

install bladder
21190, qty 1 shock bladder

retain oil as you screw the cap on
21182, qty 1 shock cap

▶ Step 8 Front Shocks

21198, qty 1 front spring, blue, 3.0

21191, qty 1 upper spring perch

21191, qty 1 lower spring retainer

21191 - Rival Mini MT, qty 1 each ride height clip, 5mm, 2mm

21191 - Apex Mini, qty 1 ride height clip, 5mm

Factory Team Option

21214, qty 1 threaded shock collar

adjust ride height:
Rival: 19mm
Apex: 10mm

front

▶ Step 9 Rear Shocks

21202, qty 1 rear spring, blue, 1.9lb

21191, qty 1 upper spring perch

21191, qty 1 lower spring retainer

21191 - Rival Mini MT, qty 1 each ride height clip, 5mm, 2mm, 1mm

21191 - Apex Mini, qty 1 ride height clip, 5mm

Factory Team Option

21215, qty 1 threaded shock collar

adjust ride height:
Rival: 17mm,
Apex: 10mm

rear

▶ Step 10

front

rear

▶ Bag H - Step 1

21210, qty 1 super 370 motor

25225, qty 1 M3 x 3 setscrew

21152 (Rival Mini MT), qty 1 10t motor pinion

21159 (Apex Mini), qty 1 17t motor pinion

refer to the gearing chart for the proper gear ratio

▶ Step 2

21091, 21093, qty 1 motor mount

21129, qty 2 M3 x 5 bhps

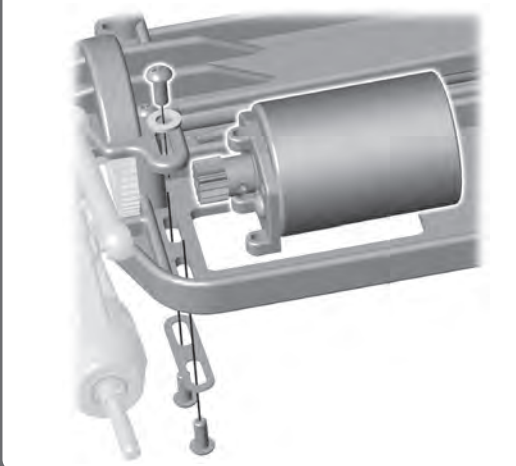
assemble using holes that best fit your motor

► Gear Chart

See gear chart located on page 16 for additional gearing recommendations for alternate motors.

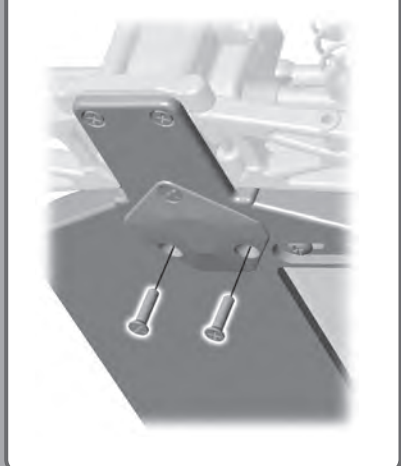
► Step 3

- 
 21133, qty 3
 M2.5 x 6 bhps
- 
 21139, qty 1
 M2.6 x 6 washer
- 
 21140, qty 1
 motor mount plate



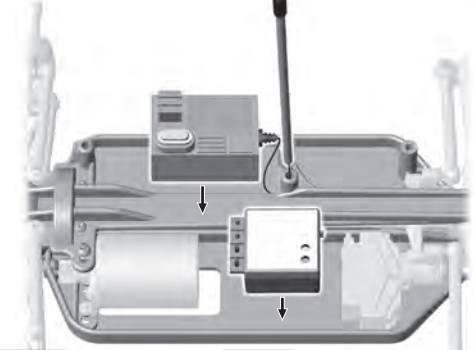
► Step 4

- 
 25196, qty 2
 M2 x 8 fhps




► Step 5

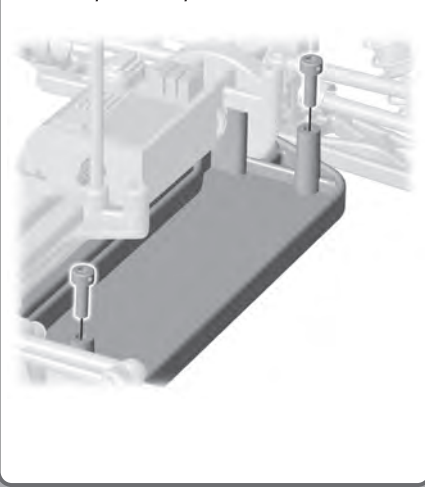
- 
 6338, qty 1
 antenna tube & cap
- 
 6727, qty 1
 servo tape



-  feed antenna wire as shown
-  attach receiver & esc to chassis with servo tape

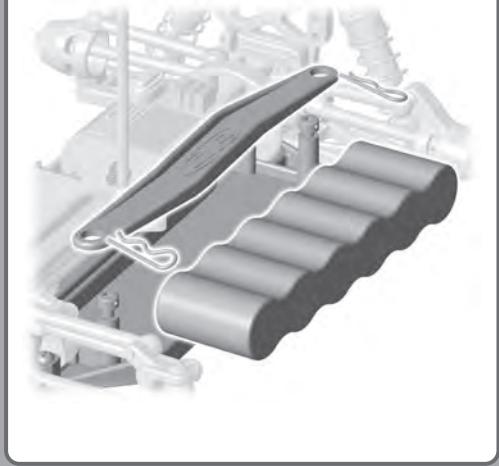
► Step 6

- 
 6929, qty 2
 4-40 x 3/8" shcs w/hole





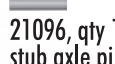




► Step 7

- 
 21013, **21238**, qty 1
 6 cell battery brace
- 
 21173, qty 2
 body clips

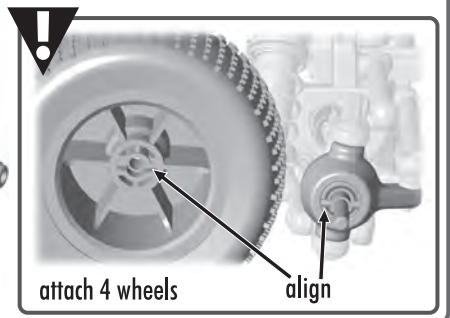


► Step 8

- 
 Tire Adhesive #1597
-  both sides of tires
- 
 21065, qty 1
 Rival Mini MT wheel/tire/insert, mounted
- 
 21291, qty 1
 Apex Mini white wheel/tire/insert, mounted
 21292, qty 1
 Apex Mini black wheel/tire/insert, mounted
- 
 21096, qty 1
 stub axle pin
- 
 21096, qty 1
 stub axle spacer
- 
 25215, **25392**, qty 1
 M3 locknuts

WARNING!
 Follow the adhesive manufacturer's instructions for proper use and safety. Wear eye and hand protection.

! Install washer first then install wheel pin, followed by the wheel & tire.



▶ Step 9



21173, qty 4
body clips

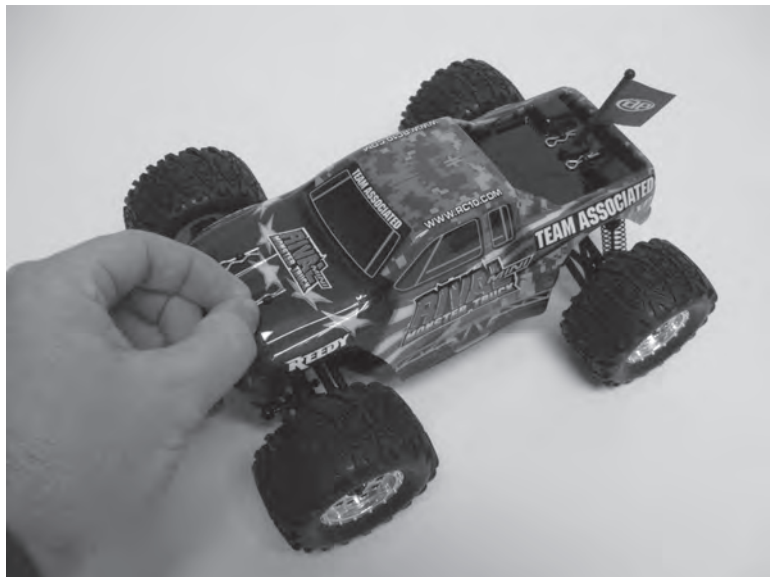


21239, qty 1
18MT flag kit

! locate into
holes in bed
of MT body



RIVAL Mini MT



APEX Mini



▶ Step 10

1:18 Gear Chart

Motor	Rival Mini 60t Spur	Apex Mini 55t Spur	Apex Mini 60t Spur
Other Modified 280 Motor - Large Track	11	16	17
Other Modified 280 Motor - Short Track	10	15	16
Super 370 Size Motor - Large Track	11	16	17
Super 370 Size Motor - Short Track	10	15	16
Super 280 Motor - Large Track	-	17	18
Super 280 Motor - Short Track	-	16	17

NR = Not Recommended for this vehicle.

Motor gearing is a starting recommendation only. You may need to adjust your gearing according to your track size.

:: Factory Team Option Parts

21031	FT Aluminum Dogbones, blue	Pr.
21055	FT Titanium Turnbuckle Set (Rival Mini MT)	Set
21056	FT Titanium Turnbuckle Set (APEX Mini)	Set
21093	FT Aluminum Finned Motor Mount, blue	1
21116	FT Carbide Diff Balls	8
21214	FT Alum. Threaded Shock Body, front, blue, w/collar	Pr.
21215	FT Alum. Threaded Shock Body, rear, blue, w/collar	Pr.
21216	FT Alum. Threaded Shock Kit, front, blue	Pr.
21217	FT Alum. Threaded Shock Kit, rear, blue	Pr.
21220	Factory Blue Aluminum Suspension Arms, blue (Rival Mini MT)	Pr.
21221	Factory Blue Aluminum Shock Tower, front (Rival Mini MT)	1
21222	Factory Blue Aluminum Shock Tower, rear (Rival Mini MT)	1
21223	Factory Blue Aluminum Steering Blocks, blue	Pr.
21224	Factory Blue Aluminum Hub Carriers, blue	Pr.
21225	Factory Blue Aluminum Caster Blocks, 0 deg, blue	Pr.
21227	Body Mount Supports, for front aluminum tower	2
21230	MIP CVD Assemblies (Rival Mini MT)	Pr.
21231	MIP Rebuild Kit	Set
21238	FT Woven Graphite Battery Strap	
21241	FT Blue Aluminum Ballstuds	10
21243	FT Blue Outdrive Sleeves	4
21380	MIP CVDs (APEX Mini)	2
25392	FT Aluminum M3 Locknuts, blue	10
29137	FT Aluminum XPS ESC Heatsink, blue	1

:: Bodies

21072	18MT Painted Body, Flag Design	1
21075	18MT Body, Clear	1
21239	18MT Flag Kit	1
21295	18R Painted Niteline Body, Gray	1
21296	18R Niteline Body, Clear	1
21297	18R Painted Kamino Body, Blue	1
21298	18R Kamino Body, Clear	1
21301	18R Niteline Carbon Wing	1
21415	APEX Mini Painted Niteline Body, Yellow	1
21416	APEX Mini Painted Niteline Body, Blue	1
21417	Rival Mini MT Painted Body, Flag / Camo Design	1

:: Wheels and Tires

21063	18MT Wheels, Chrome	2
21064	18MT Tires and Inserts	2
21065	18MT Wheels, Tires, Inserts - Mounted	2
21288	18R Spoked Wheel, White	2
21289	18R Spoked Wheel, Black	2
21290	18R Tires and Inserts	2
21291	18R Mounted Wheels and Tires, White	2
21292	18R Mounted Wheels	2
21302	18R Spoked Wheels, Gold	2
21303	18R Mounted Wheels and Tires, Gold	2
21307	18R LPR Mounted Foams	2

:: Reedy Motors and ESC's

900	Micro Brushless ESC	1
910	Micro Brushless Motor 5000kV	1
911	Micro Brushless Motor 5500kV	1
912	Micro Brushless Motor 6100kV	1
913	Micro Brushless Motor 7000kV	1
914	Micro Brushless Motor 8000kV	1
915	Micro Brushless Motor 9500kV	1
930	Micro Brushless ESC w/5000kV Motor	1
931	Micro Brushless ESC w/5500kV Motor	1
932	Micro Brushless ESC w/6100kV Motor	1
933	Micro Brushless ESC w/7000kV Motor	1
934	Micro Brushless ESC w/8000kV Motor	1
935	Micro Brushless ESC w/9500kV Motor	1

:: Reedy Batteries / Chargers and Accessories

302	AA Alkaline 1.5V (4)	1
303	AA 2700mAh NiMH 1.2V Rechargeable (4)	1
604	526-S AC/DC 2S-6S LiPo/LiFe Charger	1
610	447-S AC/DC NiMH Peak Charger	1
618	1600 Series 7.2V Flat NiMH Micro Battery	1
624	1600 Series 7.2V Flat NiMH Micro Pack w/DEANS®	1
625	LiPo 25C 1800mAh 7.4V w/DEANS®	1
660	3.5mm plugs (3M, 3F)	1
661	3.5mm plugs (10F)	1
663	3.5mm plugs (10M)	1
664	3.5mm plugs (30M)	1
716	Reedy 09 Decal Set	1

:: XP Electronics and Accessories

21210	Super 370 Motor (brushed)	1
29136	XPS Micro Speed Control (for brushed motors only)	1
29137	FT XPS ESC Heat Sink, Blue Aluminum	1
29151	AC 110V 120mAh 10 Hour Battery Charger	1
29152	AC 230V 120mAh 10 Hour Battery Charger (3-Pin)	1
29190	XP DC0915 (RTR)	1
29191	XP DC0915MG, metal gear servo	1
29192	XP DC0915 Metal Gear Set	1
29214	TRS 403-SSi Receiver	1
29215	XP2G 2.4GHz Radio System	1
29216	XP3G 2.4GHz Radio System	1
29217	TRS 402-SSi Receiver	1

:: LRP Chargers, Power Supply, Balancers

LRP41281	Quadra Pro 2 Charger	1
LRP41555	Pulsar Touch Competition Charger	1
LRP42103	LiPo Balance Board XH	1
LRP42104	LiPo Balance Board FP/TP	1
LRP42105	LiPo Balance Board PQ	1
LRP42305	Pulsar Touch Temperature Sensor	1
LRP42306	Pulsar Touch Sensor Wire Splitter	1
LRP43200	LRP Competition 20A Power Supply	1
LRP45050	LRP 2in1 LiPo Guard + BEC	1
LRP45200	LiPo Parallel Balancer	1
LRP65800	High Power Solder Station	1
LRP65802	Soldering Tip 5mm	1
LRP65803	Soldering Tip 1.2mm	1
LRP65804	Soldering Handle	1
LRP81801	LRP Speedo Updater Spec 2	1

:: Qualifier Series Vehicles

7052	Pro Lite 4x4 RTR, 1/10 Scale (ready-to-run)	1
20111	RIVAL Mini Monster Truck, 1/18 Scale (ready-to-run)	1
20119	APEX Mini Touring Car, 1/18 Scale (ready-to-run)	1
20510	RIVAL Electric Monster Truck RTR, 1/8 Scale (ready-to-run)	1
30112	APEX Touring V-Type, 1/10 Scale (ready-to-run)	1

:: 1/18 Kits and RTR's

20103	RC18B2 - RC18T2 Team Kit	1
20121	SC18 RTR Brushless (ready-to-run)	1

:: 1/12, 1/10 Kits and RTR's (cont.)

2042	Nitro TC3 RTR Plus (ready-to-run)	1
4020	FT 12R5.2 Kit	1
7025	RC10T4.2 FT Kit	1
7029	SC10 Associated/RC10.com Truck RTR (ready-to-run)	1
7030	SC10 KMC Wheels Race Truck RTR (ready-to-run)	1
7037	RC10T4.1 RTR 2.4GHz Brushless (ready-to-run)	1
7038	SC10.2 FT Kit	1
7046	SC10 RS RTR, Lucas Oil (ready-to-run)	1
7047	SC10 RS RTR, Monster Energy (ready-to-run)	1
7048	SC10 RS RTR, Pro Comp (ready-to-run)	1
7049	SC10 RS RTR, Rockstar/Makita (ready-to-run)	1
7050	SC10 RS RTR, Hart and Huntington (ready-to-run)	1
7092	GT2 RS Truck Nitro RTR (ready-to-run)	1
7093	SC10GT RTR (ready-to-run)	1
8020	FT RC10R5 Kit	1
8022	FT RC10R5.1 Kit	1
9039	RC10B4.1 RTR 2.4GHz Brushless (ready-to-run)	1
9040	FT RC10B4.1 Worlds Kit	1
9041	FT RC10B4.2 Kit	1
9050	SC10B RS RTR (ready-to-run)	1
9062	FT B44.2 4WD Buggy Kit	1
30101	TC4 Club Racer 4WD Touring Car Race Roller	1
30108	FT TC6.1 WC 4WD Touring Car Kit	1
90004	SC10 4x4 Kit	1
90005	SC10 4x4 Lucas Oil RTR (ready-to-run)	1
90006	SC10 4x4 Pro Comp RTR (ready-to-run)	1
90007	SC10 4x4 Rockstar/Makita RTR (ready-to-run)	1
90010	SC10 4x4 FT Kit	1

:: 1/8 Kits and RTR's

20501	MGT 4.60 SE RTR (ready-to-run)	1
20502	MGT 8.0 Nitro RTR (ready-to-run)	1
20503	Limited Edition MGT 4.60 Nitro RTR, w/flag body (ready-to-run)	1
20504	Limited Edition MGT 8.0 Nitro RTR, w/flag body (ready-to-run)	1
80905	RC8RS "Race Spec" Nitro Buggy RTR (ready-to-run)	1
80906	RC8.2 Nitro Buggy FT Kit	1
80907	RC8.2e Electric Buggy FT Kit	1
80908	RC8.2e Electric Buggy RTR (ready-to-run)	1
80912	RC8T Championship Edition	1
80933	SC8.2e Short Course Race Truck, Rockstar/Makita Electric RTR (ready-to-run)	1
80934	SC8.2e Short Course Race Truck, Slick Mist Electric RTR (ready-to-run)	1

Check out www.TeamAssociated.com - www.RC10.com for the latest kits, RTRs, and option parts for your SC10 and other Associated vehicles!

:: Tools

1541	FT Hex Driver Set, (7 pcs)	1
1542	FT .050" Silver Hex Driver	1
1543	FT 1/16" Black Hex Driver	1
1544	FT 1.5mm Purple Hex Driver	1
1545	FT 5/64" Blue Hex Driver	1
1546	FT 3/32" Gold Hex Driver	1
1547	FT 2.5mm Green Hex Driver	1
1548	FT 3mm Red Hex Driver	1
1551	FT Screwdriver Set	1
1553	FT Phillips Silver Screwdriver	1
1554	FT Silver Spring Hook Tool	1
1561	FT Nut Driver Set, (6 pcs)	1
1562	FT 3/16" Black Nut Driver	1
1563	FT 1/4" Red Nut Driver	1
1564	FT 5.5mm Red Nut Driver	1
1565	FT 11/32" Green Nut Driver	1
1567	FT 8mm Gold Nut Driver	1
1589	FT 5/64" Blue Ball Hex Driver	1
1590	FT 3/32" Gold Ball Hex Driver	1
1592	FT Ball Hex Driver Set, (3 pcs)	1
1655	FT 8-Piece 1/4" Hex Drive Set	1
1656	FT 1/4" Hex Drive Handle, without tips	1
1657	FT 1/4" Hex Drive .050" Tip	1
1658	FT 1/4" Hex Drive 1/16" Tip	1
1659	FT 1/4" Hex Drive 5/64" - 2.0mm Tip	1
1660	FT 1/4" Hex Drive 3/32" Tip	1
1661	FT 1/4" Hex Drive 1.5mm Tip	1
1662	FT 1/4" Hex Drive 2.5mm Tip	1
1663	FT 1/4" Hex Drive 3/16" Nut Driver Tip	1
1664	FT 1/4" Hex Drive 1/4" Nut Driver Tip	1
1665	FT 1/4" Hex Drive 11/32" Nut Driver Tip	1
1666	FT 1/4" Hex Drive 5.5mm Nut Driver Tip	1
1667	FT 1/4" Hex Drive 7.0mm Nut Driver Tip	1
1668	FT 1/4" Hex Drive 8.0mm Nut Driver Tip	1
1669	FT 1/4" Hex Drive 5/64" - 2.0mm Ball End Tip	1
1670	FT 1/4" Hex Drive 3/32" Ball End Tip	1
1671	FT 1/4" Hex Drive Standard Screwdriver Tip	1
1672	FT 1/4" Hex Drive Phillips Screwdriver Tip	1
1673	FT 1/4" Hex Drive 2.5mm Ball End Tip	1
1674	FT 1/4" 5 Piece Power Tool Tips Set (5/64-2.0mm, 1.5mm, 2.5mm, 5/64" - 2.0mm ball, 2.5mm ball)	1
1719	FT Camber + Track Width Tool	1
1737	FT Body Scissors	1
3718	12 Inch Nylon Wire Ties	12
3719	6 Inch Nylon Wire Ties	12
3720	8 Inch Nylon Wire Ties	12
6429	Shock Building Tool	1
7709	4 Inch Nylon Wire Ties	12

:: Apparel / Bags / Banners

SP35**	Reedy 09' White T-Shirt (L, XL, 2XL)	1
SP36**	Reedy 09' Black T-Shirt (M, L, XL, 2XL, 3XL)	1
SP37**	Reedy 2012 T-shirt - Black (S, M, L, XL, 2XL, 3XL)	1
SP38	Reedy Trucker Hat	1
SP39	Reedy Patch	1
SP66**	Stencil Blue T-Shirt (S, M, L, XL, 2-6XL)	1
SP67**	AE Stencil Gray Sweatshirt (S, M, L, XL, 2XL, 3XL)	1
SP68**	AE Stencil Blue T-Shirt (M, L, XL)	1
SP69**	AE 26 Time World Championship T-Shirt, Black (S, M, L, XL, 2XL, 3XL)	1
SP70**	Associated Windbreaker (S, M, L, XL, 3XL)	1
SP71**	Associated Winter Jacket (S, M, L, XL, 2XL)	1
SP73**	AE Long Sleeve T-Shirt (S, M, L, XL, 2XL)	1
SP74**	AE White T-Shirt (S, M, L, XL, 2XL, 3XL, 4XL)	1
SP75**	AE Blue T-Shirt (S, M, L, XL, 2-6XL)	1
SP76**	AE Black T-Shirt (S, M, L, XL, 2XL, 3XL, 4XL)	1
SP77**	AE 2012 T-Shirt, Blue (S, M, L, XL, 2XL, 3XL)	1
SP78**	AE 2012 T-Shirt, White (S, M, L, XL, 2XL, 3XL)	1
SP79**	AE 2012 T-Shirt, Black (S, M, L, XL, 2XL, 3XL)	1
SP84**	Reedy 3D T-Shirt, Black (S, M, L, XL, 2XL, 3XL)	1
SP85**	Reedy Zip Hoodie, Black (S, M, L, XL, 2XL, 3XL)	1
SP86**	Reedy Girl's 3D T-Shirt, Black (S, M, L, XL)	1
SP102	Outer & Inner Boxes, for #SP416	1
SP103	Inner Boxes only, for #SP416	1
SP411S	AE Hat 11' Flat Bill Black S/M	1
SP411L	AE Hat 11' Flat Bill Black L/XL	1
SP413S	26 Time World Championship Hat S/M	1
SP413L	26 Time World Championship Hat L/XL	1
SP416	Associated Car Carrier Bag, Medium	1
SP417	1/10 FT Motor Bag	1
SP418	Factory Team 1/10 Car Carrier Bag	1
SP420**	AE Pit Gloves (M, L, XL)	Pr.
SP421S	AE 2012 Hat, Black, Flat Bill, S/M	1
SP421L	AE 2012 Hat, Black, Flat Bill, L/XL	1
SP422S	AE 2012 Hat, Black, Curved Bill, S/M	1
SP422L	AE 2012 Hat, Black, Curved Bill, L/XL	1
SP423S	AE 2012 Hat, White, Flat Bill, S/M	1
SP423L	AE 2012 Hat, White, Flat Bill, L/XL	1
SP424S	AE 2012 Hat, White, Curved Bill, S/M	1
SP424L	AE 2012 Hat, White, Curved Bill, L/XL	1
715	Reedy 2009 Track Banner	1
110684	Team Associated Track Banner	1

Associated Electrics, Inc.
26021 Commercentre Drive
Lake Forest, CA 92630-8853 USA
<http://www.TeamAssociated.com>
<http://www.RC10.com>
[http://twitter/Team Associated](http://twitter/TeamAssociated)
<http://bit.ly/AEonFacebook>

call: (949) 544-7500

fax: (949) 544-7501

Check out the following web sites for all of our electric kits,
current products, new releases, setup help, tips, and racing info!

www.TeamAssociated.com - www.RC10.com

:: Trouble Shooting

Description	Problem	Solution
No Power	Battery is discharged..... Battery not plugged in..... No light on speed control.... Receiver LED remains red.	Charge battery. Plug in battery. Reset speed control using your instruction manual. Re-bind transmitter to the receiver.
No Throttle	Motor not plugged in..... Speed control out of adjustment. Motor failure.....	Plug in motor. Reset speed control using your instruction manual. Replace motor.
No Steering	Servo not plugged in..... Locked up steering linkage. Servo failure.....	Plug servo in. Free up steering linkage. Replace servo.
Throttle	Goes backwards when you pull the trigger, or forward when pushing brakes / reverse.	Check throttle reversing switches on transmitter. Reverse motor wires. Reset speed control. See ESC Manua.
Steering	Goes right when turning..... the wheel left (or left when turned right.)	Check steering reversing switches on transmitter.
Vehicle is glitching	Vehicle has a problem on.... power:	Check for loose wires or check for or dead radio batteries. Radio interference.
Reverse	No reverse or brakes.....	Check that reverse mode has not been turned off. Refer to speed control instructions. Reset speed control, or send in for repair.
Vehicle dies or slows	Speed control overheats.... Motor overheats..... Gear mesh set too tight.....	Let speed control cool off. Check gear, gear mesh, or bind in driveline. Let motor cool and check recommended gearing for motor type. Reset gear mesh (see instruction manual).