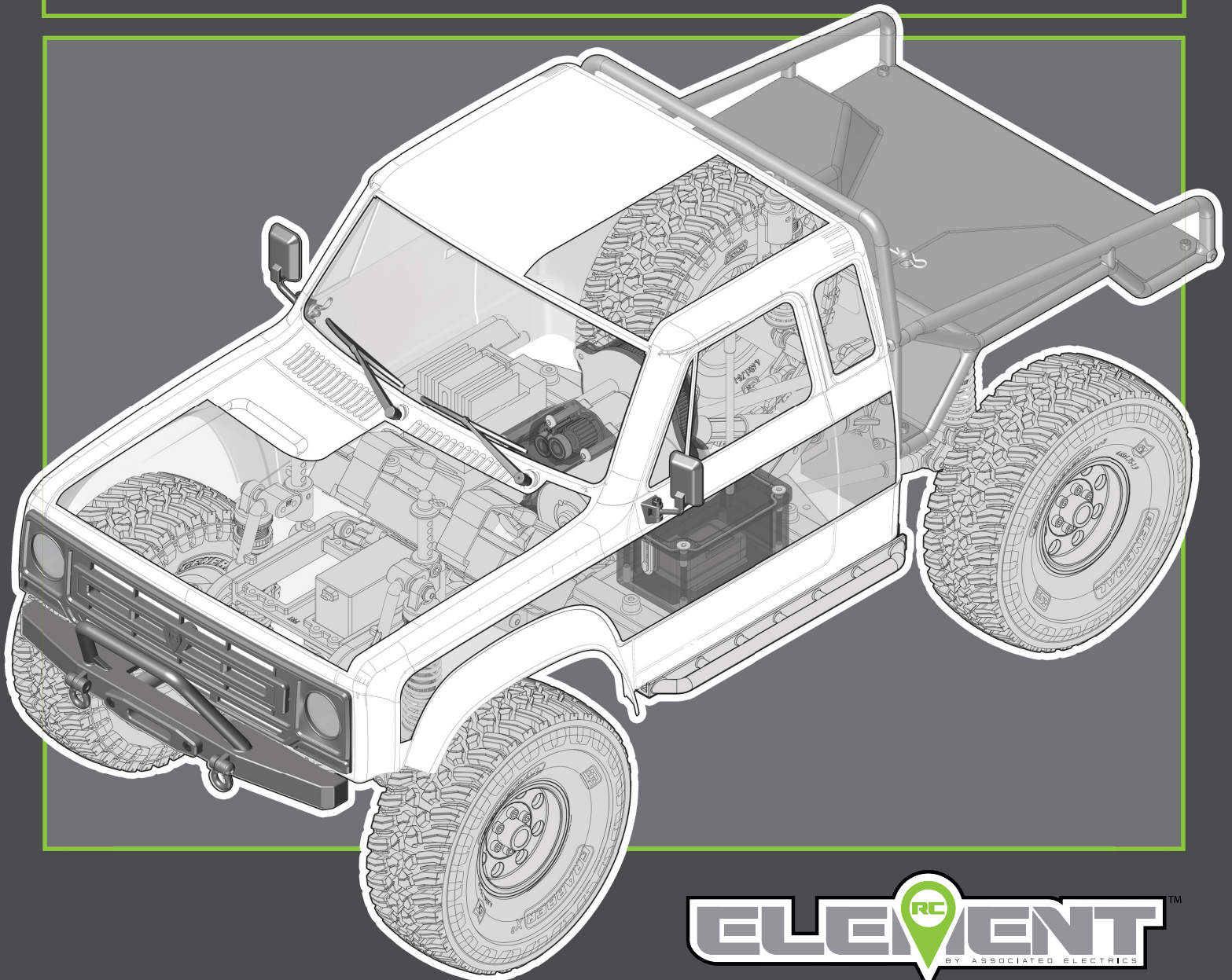


ENDURO

SENDERO HD
PICK-UP TRUCK BODY



OWNERS BUILD MANUAL





Associated Electrics, Inc.
21062 Bake Parkway
Lake Forest, CA 92630

Customer Service
Tel: 949.544.7500
Fax: 949.544.7501

Follow Us On Social Media



ElementRC



@Element_RC

www.ElementRC.com

AE is a Registered Trademark of Associated Electrics, Inc.

TEAM ASSOCIATED is a Registered Trademark of Associated Electrics, Inc.

REEDY is a Registered Trademark of Associated Electrics, Inc.

FACTORY TEAM is a Registered Trademark of Associated Electrics, Inc.

ELEMENT™ is a Trademark of Associated Electrics, Inc.

AREA 51 is a Registered Trademark of Associated Electrics, Inc.

STEALTH is a Registered Trademark of Associated Electrics, Inc.

GREEN SLIME is a Registered Trademark of Associated Electrics, Inc.

ITEMS NEEDED

The following items are required to build or maintain your Enduro Trail Truck.

- 1.5mm Allen Wrench (#1500)
- 2mm Allen Wrench (#1501)
- 2.5mm Allen Wrench (#1503)
- Pliers
- Long Nose Pliers
- 5.5mm Nut Driver (#1507)
- 7mm Nut Driver (#1508)

OTHER HELPFUL ITEMS

The following items aren't required, but will aid in the building and maintaining of your Enduro Trail Truck.

- Threadlock (#1596)
- Green Slime (#1105)

Your journey begins here.



INTRODUCTION

Thank you for purchasing this Element RC product. This assembly manual contains instructions and tips for building and maintaining your new Enduro chassis. Please take a moment to read through this manual to help familiarize yourself with these steps. We are continually changing and improving our designs; therefore, actual parts may appear slightly different than in the illustrations. New parts will be noted on supplementary sheets located in the appropriate parts bags.

ENDURO TRAIL TRUCK

A performance rig built to endure. When hitting the trail, you want to do it with confidence and the answer is the all new Enduro Trail Truck!

At the heart of the Enduro is our revolutionary Stealth® X gearbox. Although the exterior appears to have a conventional 3-gear transmission look, the inside is far from conventional. The Stealth® X features the ability to adjust the rear drive ratio independently of the front drive across three levels: stock overdrives the front end 5.7% (installed in RTR), option 1 provides a one-to-one drive ratio front-to-rear (available separately), and option 2 overdrives the front end 11.83% (included with RTR).

Feeding the power to the tires are 3-piece telescopic driveshafts with an extruded aluminum center section, universal front drive axles, and hardened steel ring and pinion gears. With the Enduro drivetrain, delivering useful power will not be an issue.

We relocated the steering link assembly from the conventional location, to behind the axle (BTA). This feature greatly improves approach angle and front end clearance, making rough terrain much easier to handle.

The Enduro Trail Truck comes ready for adventure right out of the box, with performance-driven Reedy Power electronics. The all-new, ultra-smooth and powerful, 16-turn 5-slot brushed crawler motor and Reedy Power SC480X electronic speed controller with T-plug connector, supply ample power to this tough rig. Controlling the beast on the trail is our 3-channel XP130 2.4GHz radio and Reedy Power high-torque 1320MG metal gear servo.

With all this packed in one box, we know the Enduro Trail Truck is ready for the trail...Are you?

FEATURES

- Stealth X Gearbox with adjustable overdrive gears
- BTA steering [Behind the Axle]
- CMS [Chassis Mounted Servo]
- Integrated servo winch mount
- Adjustable front track bar
- Universal front drive axles
- Stamped steel C-Channel frame rails
- Enclosed receiver box
- 12mm wheel hexes
- Adjustable front and rear bumper mounts
- Adjustable width rock sliders
- Two battery boxes (Shorty and regular size!)
- Threaded aluminum shock bodies
- Aluminum steering plates
- Aluminum motor plate
- Adjustable body posts
- Optimized rod ends for more fluid axle articulation
- Adjustable rear shock mount positions
- Telescopic driveshaft's front and rear
- Extruded aluminum driveshaft splines
- One-piece rear axle design
- Splined front axle with adjustable caster
- Machined input pinion gear
- Metal ring gear
- Machined steel top shaft
- Metal idler gears
- Heavy duty 5mm diameter steel links
- Precision metal ball bearings included
- Steel servo horn
- Licensed 1.9"x4.65" General Grabber X3 tires

ELECTRONICS:

- Water resistant 2S-3S LiPo compatible Reedy SC480X brushed electronic speed control with adjustable drag brake and T-plug battery connector
- Smooth and powerful Reedy Crawler 16T 5-slot brushed motor
- XP130 2.4GHz radio system (3 Channel)
- Reedy high-torque 1320MG metal gear servo (13kg/180 oz.)







SENDERO BODY FEATURES:

- Sendero body thermoformed in high-strength polycarbonate
- Two-piece cab and bed design
- Clear windows
- Molded grill
- Replaceable headlight lenses
- Pivoting side mirrors
- LED headlights
- Adjustable front bumper












HARDWARE 1:1 SCALE VIEW

HARDWARE USED WITH OPTIONAL REPLACEMENT PART NUMBERS

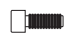





FLAT HEAD SCREWS (FHCS)

	2.5x10mm (31350)
	2.5x14mm (41077)
	3x8mm (25201)
	3x10mm (25202)
	3x12mm (25203)
	3x14mm (89208)

BUTTON HEAD SCREWS (BHCS)

	2.6x10mm (41088) Self Tapping Thread
	3x5mm (31530)
	3x6mm (31531)
	3x8mm (31532) Aluminum (8552)
	3x10mm (25211) Aluminum (8554)
	3x12mm (89202)
	3x14mm (25187)
	3x16mm (89203)
	3x18mm (2308)
	3x20mm (25188)
	3x28mm (41078)



SOCKET HEAD SCREWS (SHCS)

	2x5mm (31511) Aluminum (8566)
	2x8mm (7187)
	2.5x6mm (41079)
	2.5x10 (41087)
	2.5x14 (71032)
	2.5x16 (41086)



SET SCREWS

	3x3mm (25225)
	3x16mm (4689)




PIVOT BALLS

	Pivot Ball, Short (42041)
	Pivot Ball, Long, Upper Shock (42041)



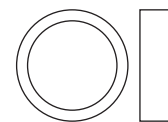
LOCK NUTS

	M3 Locknuts (25215) Aluminum (31550)
	M4 Locknut W/Flange (25391)



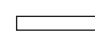
BEARINGS

	5x10x4mm (91560)
	7x14x3.5mm (91474)
	10x15x4mm (91563)

SHIMS AND WASHERS

	.250x.125x.015 (7337)
	Servo Horn Spacer (42041)
	Drive Gear Shim (42027)

MISC. SCREWS

	Shoulder Screw 3x4x10mm (42070)
	Screw Pin (42022)
	Pin 2x11mm (42019)

LINKS





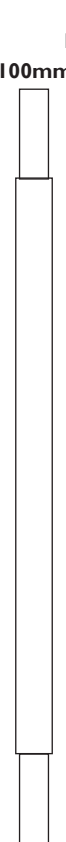

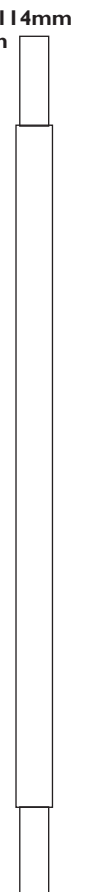
	73mm
	83mm
	93mm
	96mm
	100mm
	108mm
	114mm

TABLE OF CONTENTS

10/15/2020

01	COVER	12	DRIVESHAFTS BUILD (BAG 8)
02	INTRODUCTION	13	SHOCKS BUILD (BAG 9)
03	1:1 HARDWARE "FOLD OUT"	14	BUMPERS BUILD (BAG 10)
04	TABLE OF CONTENTS	14	WHEELS/TIRES BUILD
05	CHASSIS BUILD (BAG 1, 2)	15	BODY BUILD (BAG 11)
06	ELECTRONIC MOUNTS BUILD (BAG 3)	16	CATALOG
07	GEARBOX BUILD (BAG 4)	24	OPTIONAL GEARBOX BUILD
08	FRONT AXLES BUILD (BAG 5)	25	TRAIL TIPS
09	REAR AXLES BUILD (BAG 6)	26	BACK COVER
09	LINKS BUILD (BAG 7)		

USING THIS MANUAL



This symbol indicates a special note or instruction in the manual.

x2

This symbol indicates the number of the same part that is required.



This symbol indicates the order within a step to assemble parts.



This symbol indicates a Trail Tip.



This symbol indicates where Black Grease should be applied.



This symbol indicates where Green Slime can be applied. *not included



This symbol indicates where Thread Lock Adhesive should be applied. *not included

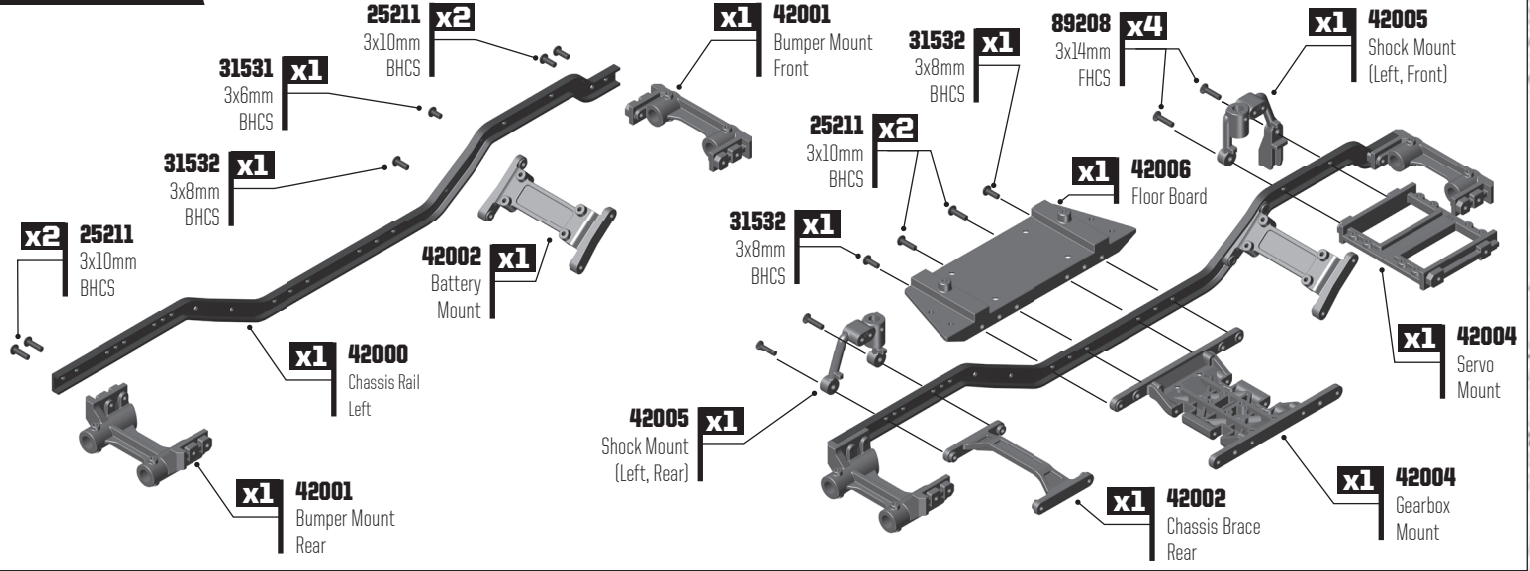


This symbol indicates where Shock Fluid should be applied.

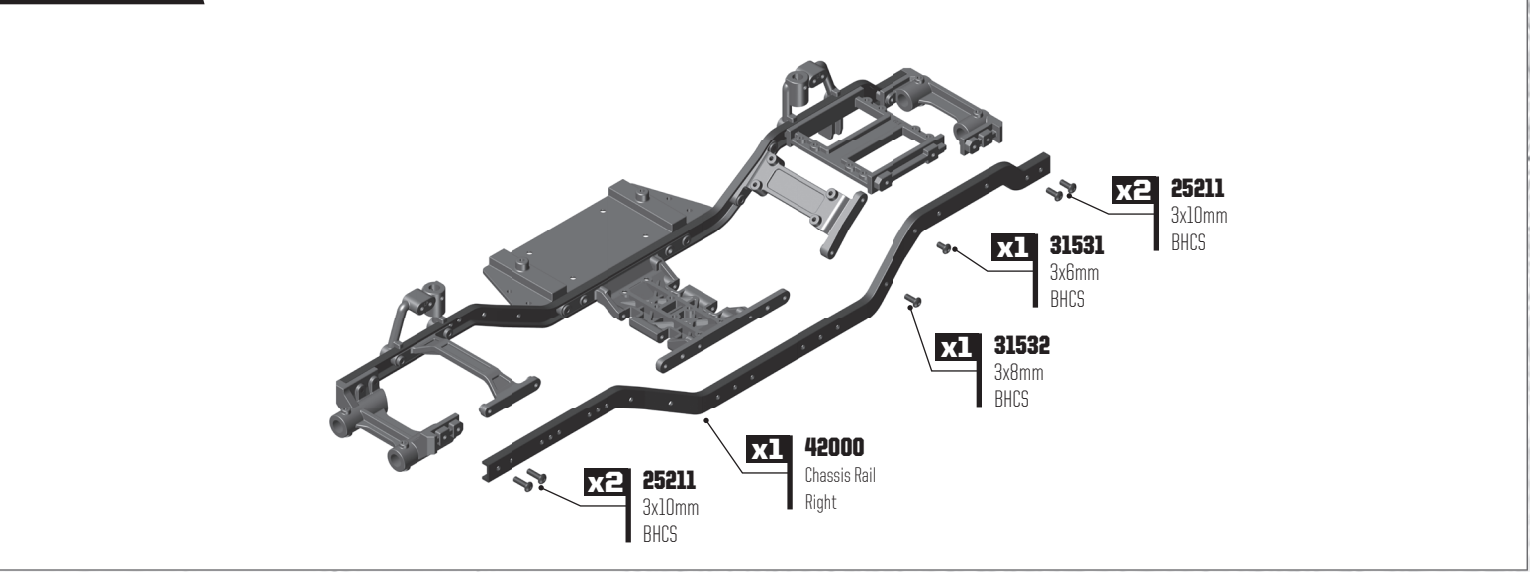


There is a 1:1 hardware foldout page in the front of the manual. To check the size of a part, line up your hardware with the correct drawing until you find the exact size. Each part in the foldout has a number assigned to it for ordering replacement parts.

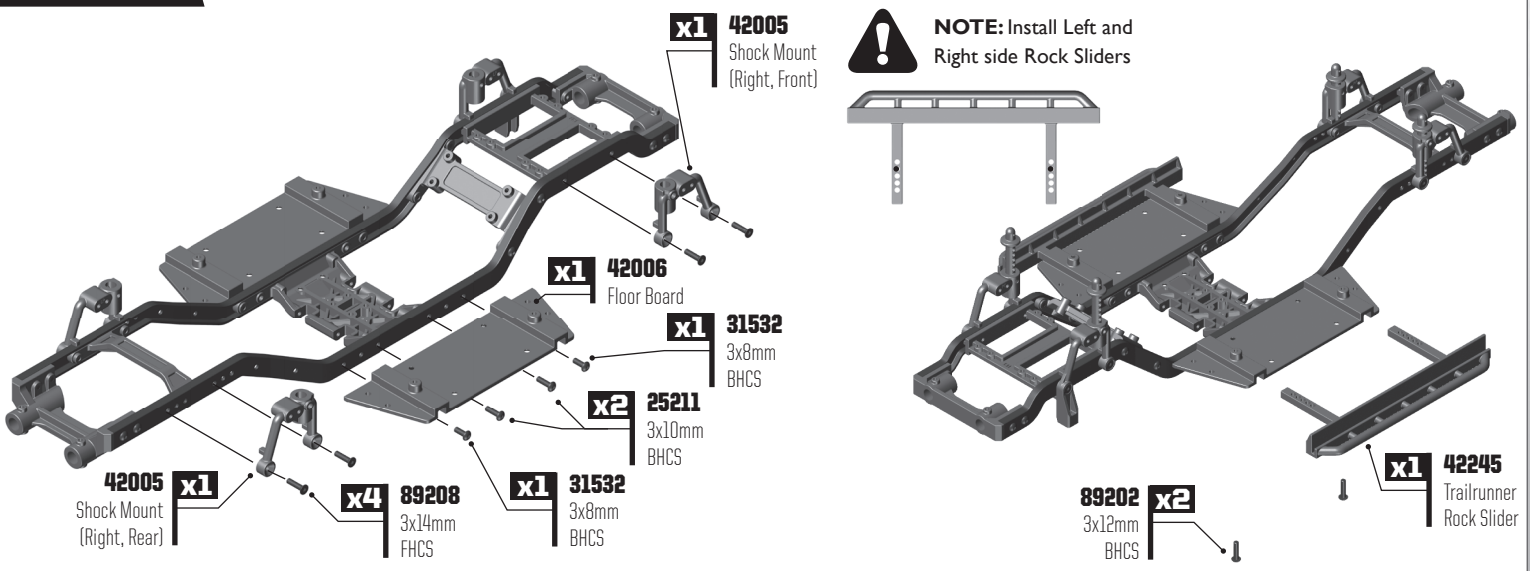
GATE 01 CHASSIS BUILD: BAG 1, 2



GATE 02 CHASSIS BUILD: BAG 1, 2



GATE 03 CHASSIS BUILD: BAG 1, 2



GATE 01 ELECTRONIC MOUNTS BUILD: BAG 3

25203 **x4**
3x12mm FHCS

42003 **x1**
Battery Box, Shorty Pack

NOTE: There is an optional "standard pack" sized battery tray included!

71050 **x2**
Hook and Loop Straps

GATE 02 ELECTRONIC MOUNTS BUILD: BAG 3

42007 **x1**
Receiver Grommet

42007 **x1**
Receiver Grommet Plug

42006 **x1**
Receiver Box Bottom

25202 **x4**
3x10mm FHCS

Receiver **x1**

6727 **x1**
Servo Tape

Servo **x1**

42215 **x1**
Servo Horn 25T

41090 **x4**
3x10mm LP SHCS

25211 **x1**
3x10mm BHCS

THREAD LOCK #1596

GATE 03 ELECTRONIC MOUNTS BUILD: BAG 3

ESC **x1**

6727 **x1**
Servo Tape

6338 **x1**
Antenna Tube and Cap

25225 **x1**
3x3mm Set Screw

25202 **x4**
3x10mm FHCS

42006 **x1**
Receiver Box Lid

42007 **x1**
Receiver Box Grommet

GATE 01 GEARBOX BUILD: BAG 4

BLACK GREASE #6588

- x1 42028** Stealth X Gearbox Drive Gear, 53T
- x1 42027** Stealth X Gearbox Outdrive, Long
- x4 31350** 2.5x10mm FHCS
- 91563 x2** 10x15x4mm Bearing
- x1 42027** Stealth X Gearbox Drive Gear Shim
- x1 42027** Stealth X Gearbox Outdrive, Short
- x1 42028** Stealth X Gearbox Drive Gear, 52T
- x4 41077** 2.5x14mm FHCS

NOTE: Make sure the 10x15x4mm bearing is completely seated in the short outdrive

GATE 02 GEARBOX BUILD: BAG 4

- 42025 x2** Idler Shaft Pin 2x9mm
- 42025 x1** Stealth X Gearbox Idler Shaft
- 42026 x1** Stealth X Gearbox Idler Gear, 27T
- 42026** Stealth X Gearbox Idler Gear, 28T
- 42030 x1** Stealth X Gearbox Top Shaft, Rear
- 91560 x4** 5x10x4mm Bearing
- 41078 x5** 3x28mm BHCS
- x1 42023** Stealth X Gearbox Case
- x2 91563** 10x15x4mm Bearing
- x1 42023** Stealth X Gearbox Case

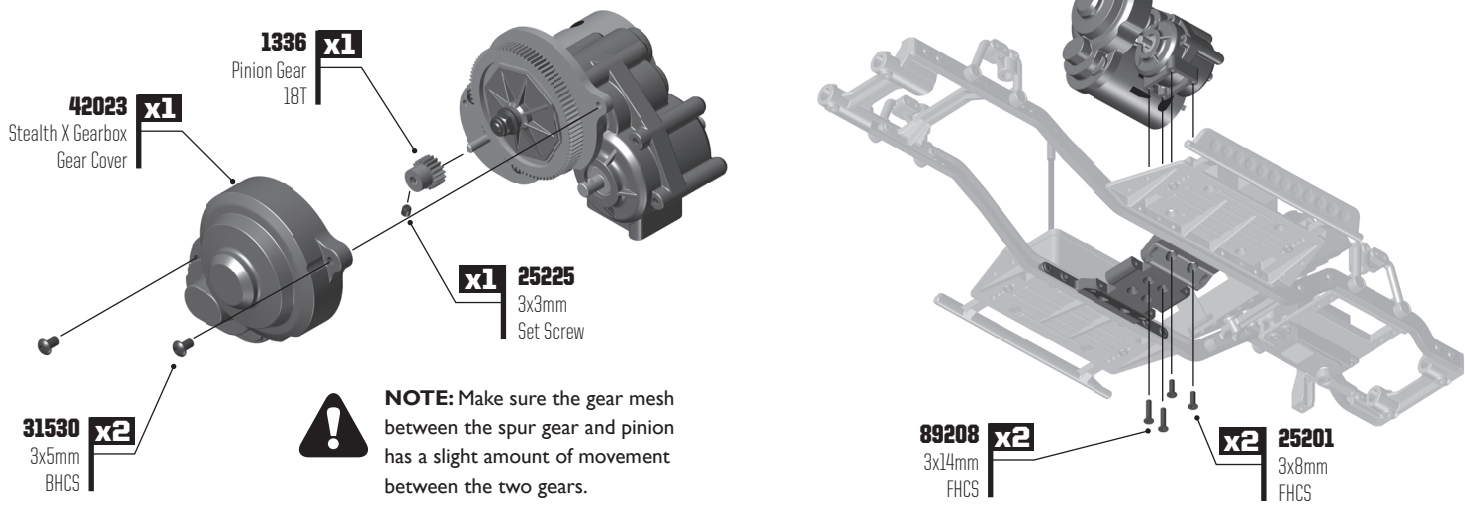
NOTE: There are optional gearbox builds on page 24

Over Drive Option I (Stock)

GATE 03 GEARBOX BUILD: BAG 4

- 42029 x1** Stealth X Gearbox Motor Plate
- Motor x1**
- x3 25201** 3x8mm FHCS
- 42023 x2** Stealth X Gearbox Spur Gear Hub
- 25391 x1** FT M4 Locknut
- x2 41090** 3x10mm LP SHCS
- x1 9654** Spur Gear 48P, 8T

GATE 04 GEARBOX BUILD: BAG 4



42023 x1 Stealth X Gearbox Gear Cover

1336 x1 Pinion Gear 18T

25225 x1 3x3mm Set Screw

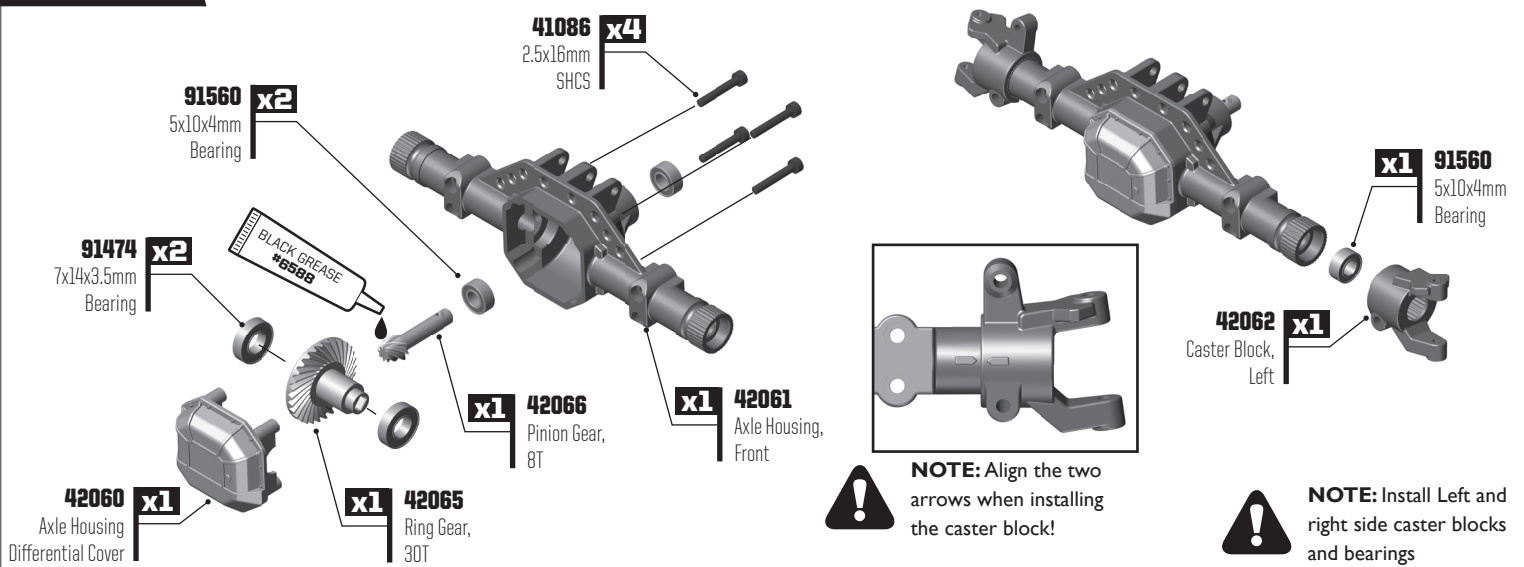
31530 x2 3x5mm BHCS

NOTE: Make sure the gear mesh between the spur gear and pinion has a slight amount of movement between the two gears.

89208 x2 3x14mm FHCS

25201 x2 3x8mm FHCS

GATE 01 FRONT AXLE BUILD: BAG 5



41086 x4 2.5x16mm SHCS

91560 x2 5x10x4mm Bearing

91474 x2 7x14x3.5mm Bearing

BLACK GREASE #6588

42060 x1 Axle Housing Differential Cover

42065 x1 Ring Gear, 30T

42066 x1 Pinion Gear, 8T

42061 x1 Axle Housing, Front

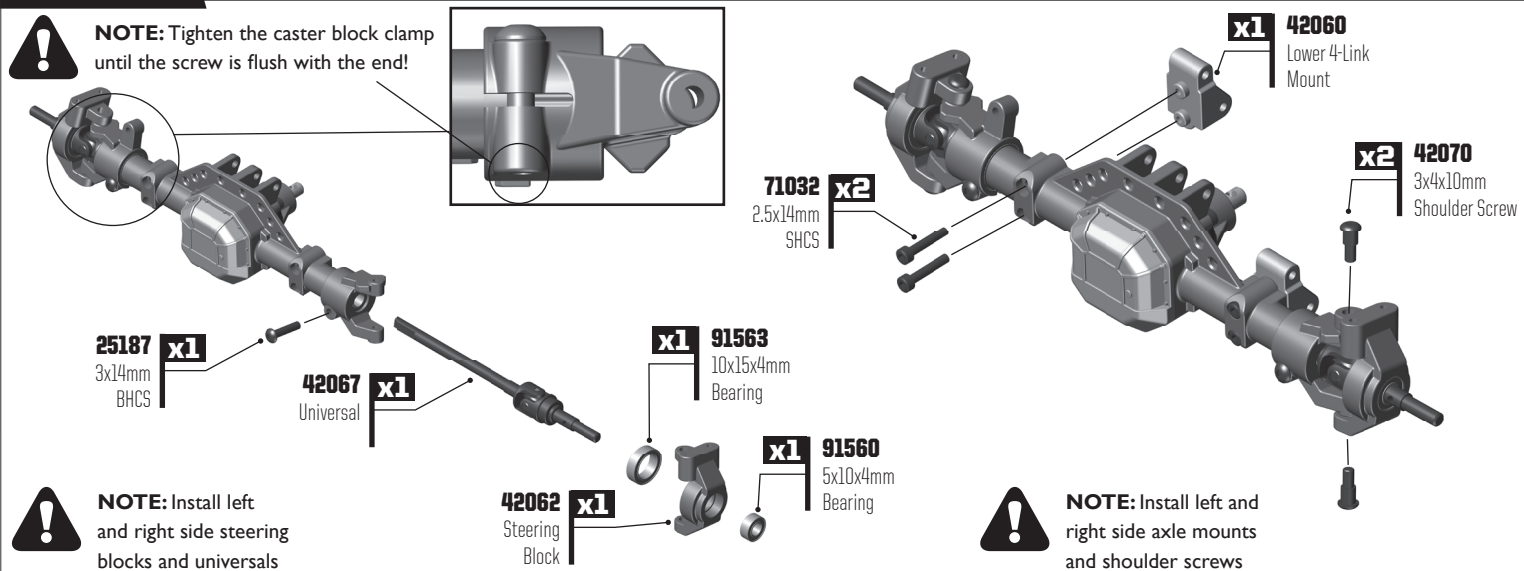
42062 x1 Caster Block, Left

91560 x1 5x10x4mm Bearing

NOTE: Align the two arrows when installing the caster block!

NOTE: Install Left and right side caster blocks and bearings

GATE 02 FRONT AXLE BUILD: BAG 5



NOTE: Tighten the caster block clamp until the screw is flush with the end!

25187 x1 3x14mm BHCS

42067 x1 Universal

42062 x1 Steering Block

91563 x1 10x15x4mm Bearing

91560 x1 5x10x4mm Bearing

42060 x1 Lower 4-Link Mount

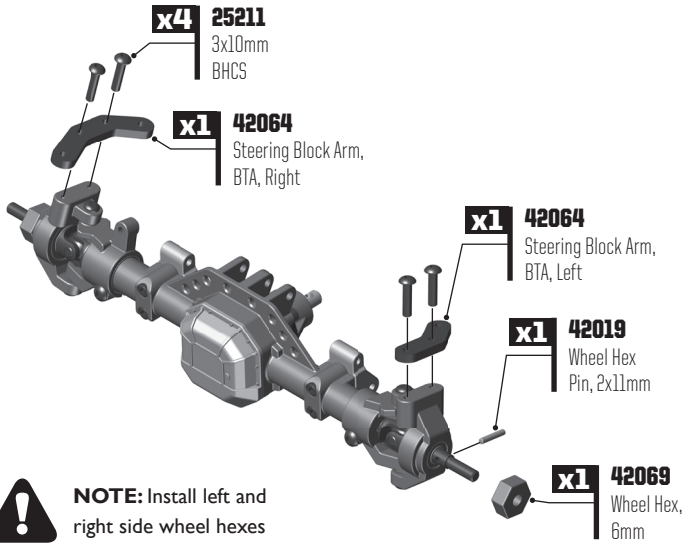
71032 x2 2.5x14mm SHCS

42070 x2 3x4x10mm Shoulder Screw

NOTE: Install left and right side steering blocks and universals

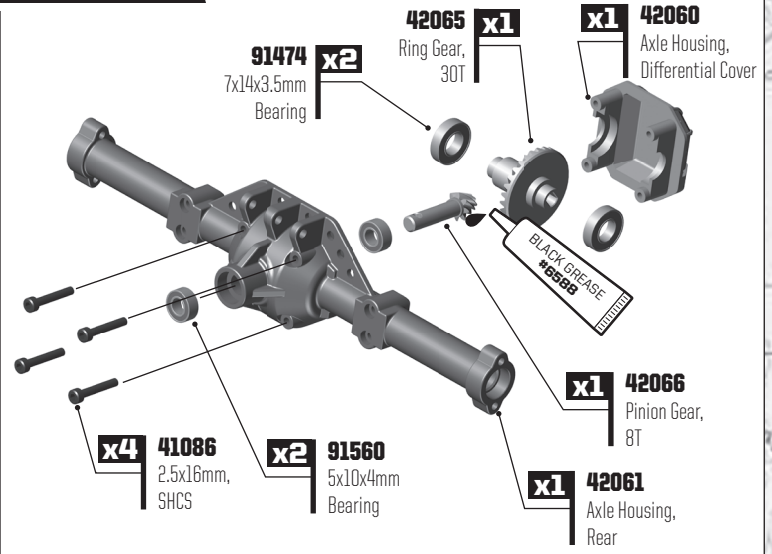
NOTE: Install left and right side axle mounts and shoulder screws

GATE 03 FRONT AXLE BUILD: BAG 5

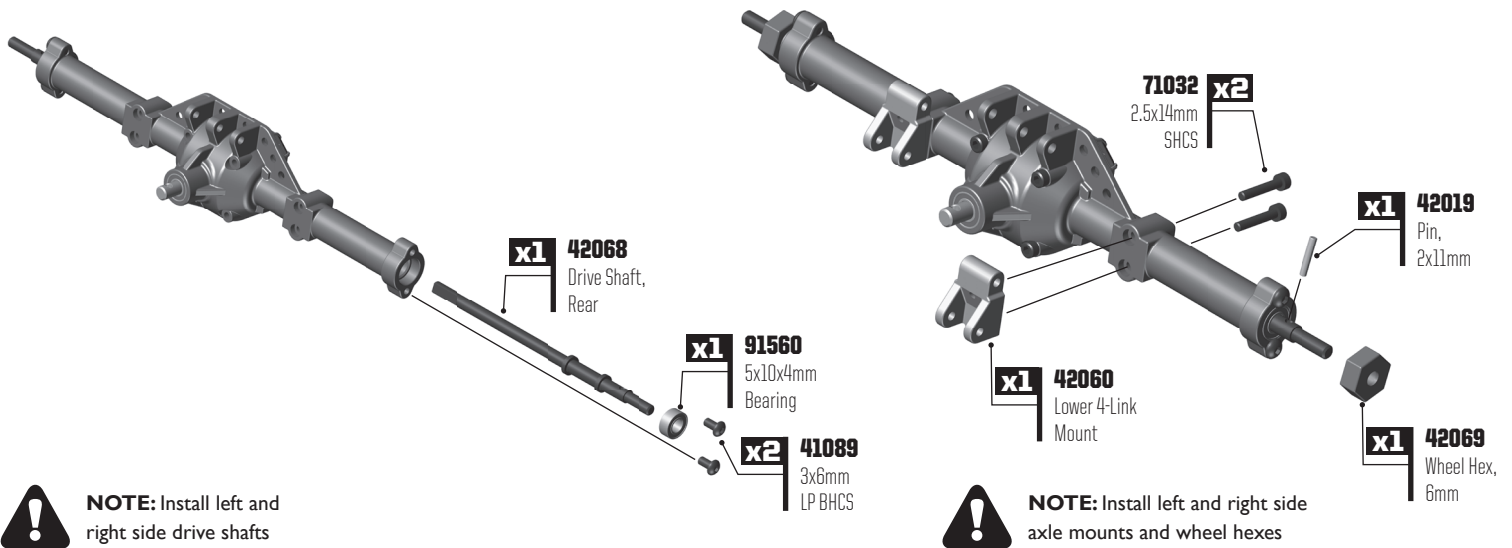


NOTE: Install left and right side wheel hexes

GATE 01 REAR AXLE BUILD: BAG 6



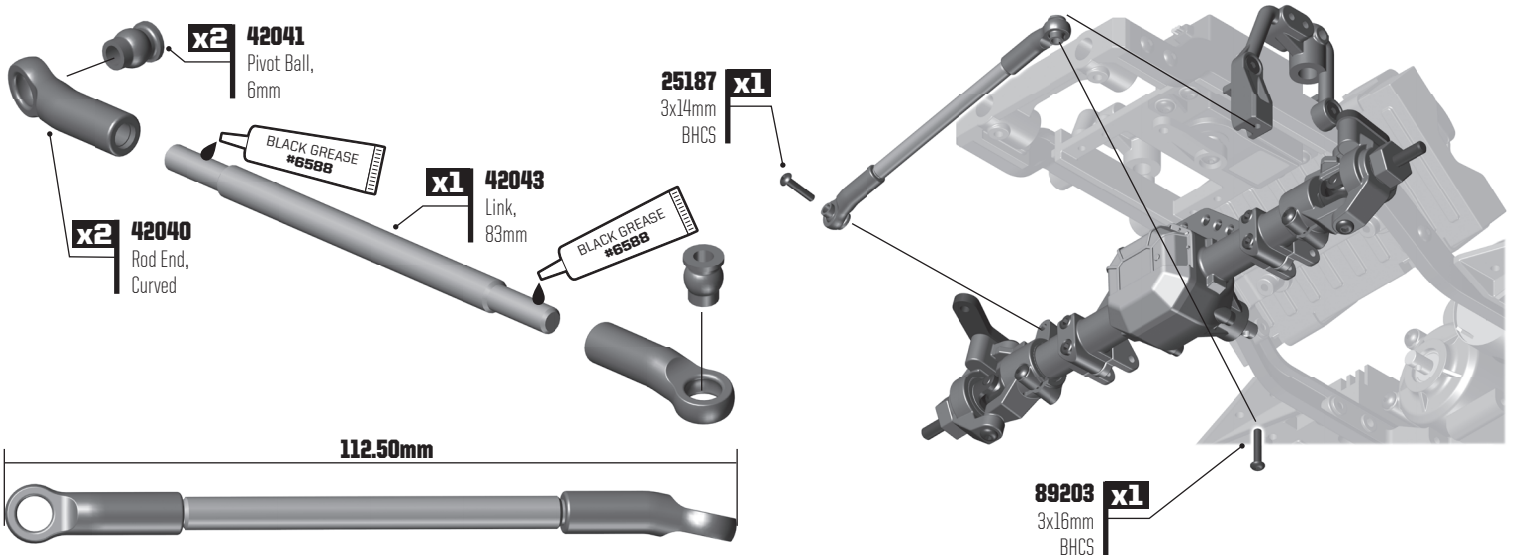
GATE 02 REAR AXLE BUILD: BAG 6



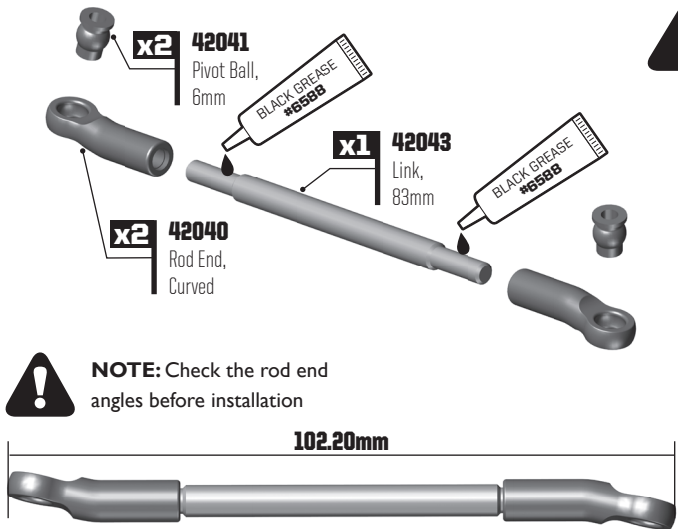
NOTE: Install left and right side drive shafts

NOTE: Install left and right side axle mounts and wheel hexes

GATE 01 LINKS BUILD: BAG 7



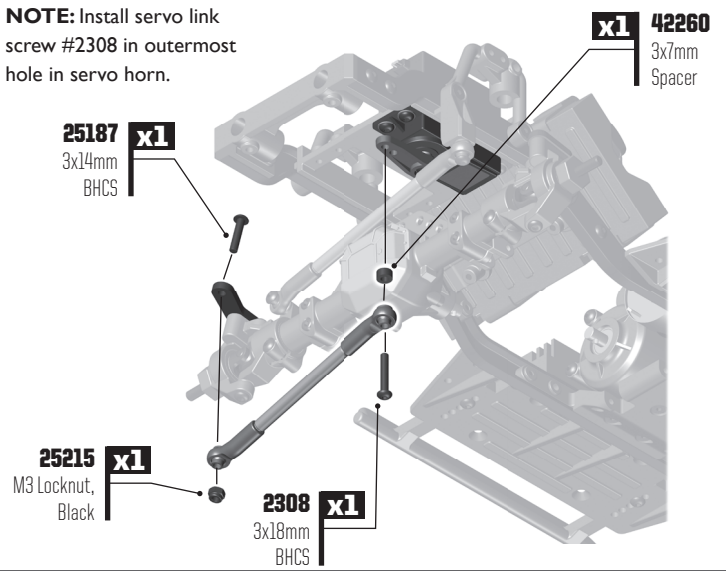
GATE 02 LINKS BUILD: BAG 7



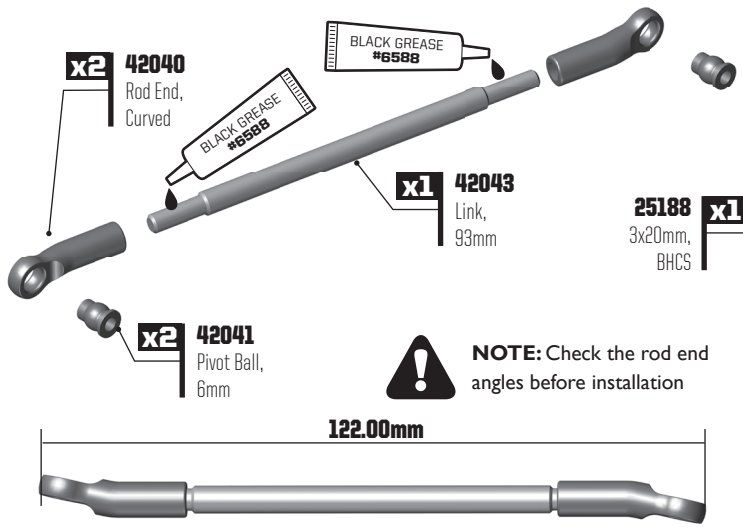
NOTE: Check the rod end angles before installation



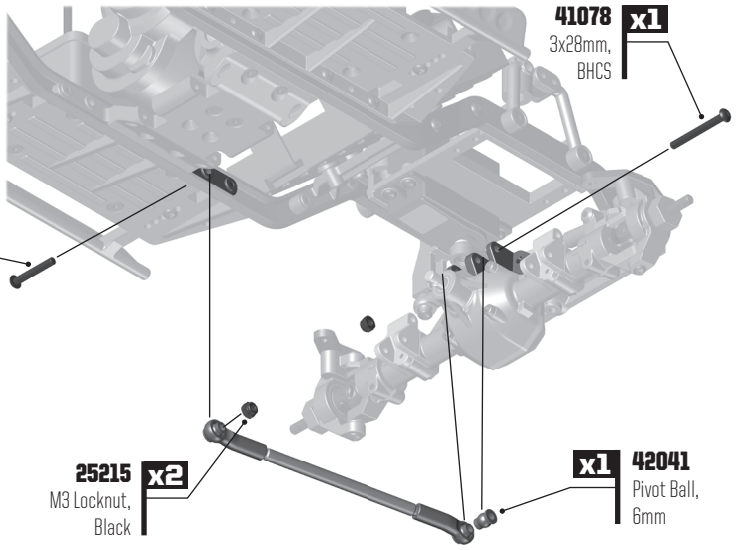
NOTE: Install servo link screw #2308 in outermost hole in servo horn.



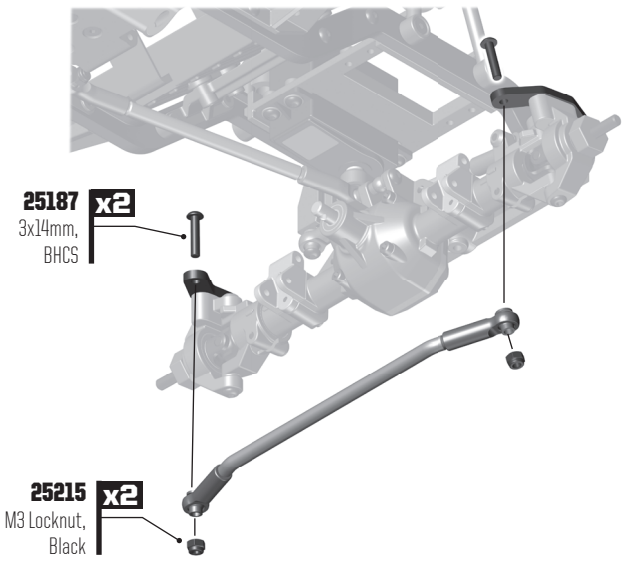
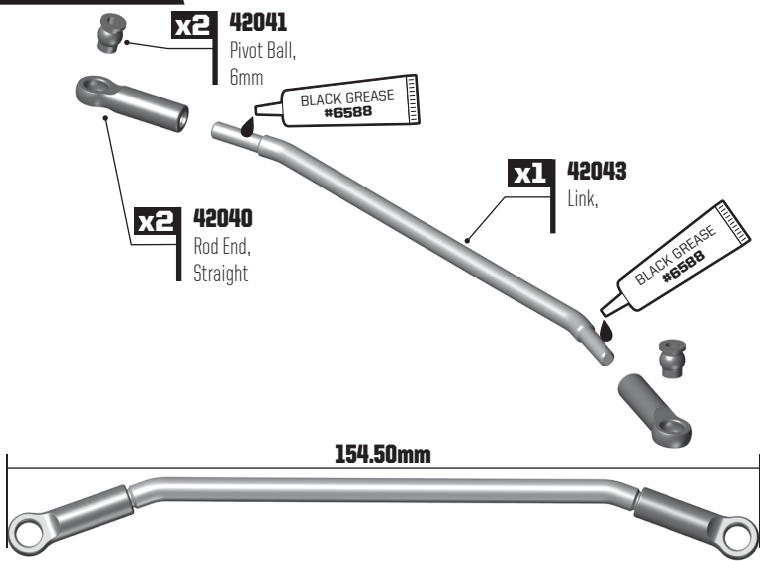
GATE 03 LINKS BUILD: BAG 7



NOTE: Check the rod end angles before installation



GATE 04 LINKS BUILD: BAG 7



GATE 05 LINKS BUILD: BAG 7

NOTE: Build and install two rear upper links

x2 42041 Pivot Ball, 6mm

BLACK GREASE #6588

x1 42044 Link, 108mm

BLACK GREASE #6588

x2 42040 Rod End, Curved

NOTE: Check the rod end angles before installation

137.00mm

x1 25188 3x20mm, BHCS

x1 41078 3x28mm BHCS

x2 25215 M3 Locknut, Black

GATE 06 LINKS BUILD: BAG 7

NOTE: Build and install two front lower links

x2 42041 Pivot Ball, 6mm

BLACK GREASE #6588

x1 42043 Link, 100mm

BLACK GREASE #6588

x2 42040 Rod End, Curved

NOTE: Check the rod end angles before installation

129.50mm

x1 25187 3x14mm, BHCS

x1 4689 3x16mm, Set Screw

GATE 07 LINKS BUILD: BAG 7

NOTE: Build and install two rear lower links

x2 42041 Pivot Ball, 6mm

BLACK GREASE #6588

x1 42044 Link, 114mm

BLACK GREASE #6588

x2 42040 Rod End, Curved

NOTE: Check the rod end angles before installation

143.00mm

x1 25187 3x14mm BHCS

x1 4689 3x16mm, Set Screw

GATE 01 DRIVE SHAFT BUILD: BAG 8

42021 Pin, 2x11mm (x2)

42020 Drive Shaft, Female (33mm, 42mm) (x1)

31532 3x8mm BHCS (x2)

42021 Drive Shaft, Male, CVA (x2)

42021 Drive Shaft, Female, CVA (x2)

42021 Drive Shaft Barrel (x2)

42020 Pin Retainer, Short (x1)

42020 Pin Retainer, Long (x1)

42020 Drive Shaft, Male (48mm, 60mm) (x1)

42020 Gearbox Side

42020 Axle Side

42020 Pin Retainer, Long (x1)

NOTE: Build a front and rear drive shaft

Drive Shaft Lengths

	Front (mm)	Rear (mm)
Female 1	33	33
Female 2	33	42
Male	48	60

GATE 02 DRIVESHAFT BUILD: BAG 8

NOTE: Install the front drive shaft

NOTE: Install the rear drive shaft

GATE 03 DRIVESHAFT BUILD: BAG 8

NOTE: Make sure the screw pins are aligned with each female CVA during assembly

NOTE: Make sure the phasing of the drive shafts is correct when installing them to the axles and gearbox.

Correct Phasing

Incorrect Phasing

FRONT

33 48 33

REAR

42 60 33

42022 Screw Pin (x4)

THREAD LOCK #1596

GATE 01 SHOCK BUILD: BAG 9

x1 42081 Shock Piston

x2 6299 E-Clip

x1 42083 Shock Shaft, 3x30mm

SHOCK CAP O-RING

SHOCK COLLAR O-RING

x1 42081 O-Ring, Small, Shock Cap

x1 42082 Shock Body, 10x32mm

x2 5407 O-Ring, Red

x1 42081 Shock O-Ring Spacer

x1 42080 Shock Bottom Cap

x1 42040 Enduro Rod Ends

Pro Tip: Use #1105 Green Slime on O-Rings

NOTE: Build 4 complete shocks

GATE 02 SHOCK BUILD: BAG 9

Shock Bleeding Steps:

1. Pull shock shaft down.
2. Fill shock body 3/4 full with silicone fluid.
3. Slowly move the shock shaft up and down to remove air from under piston.
4. Wait for bubbles to come to surface.
5. Fill shock body to top with silicone fluid.
6. Place a drop of oil in the cap and on cap threads.
7. Install cap and tighten completely.
8. Slowly compress shaft all the way to the top. If there is pressure at the top of the stroke, there is too much oil or air. You must bleed it out.
9. Slowly pull shaft out.
10. Unscrew the cap 3/4 turn and tilt the shock at a slight angle.
11. Slowly compress the shaft to push out excess oil and air. You should see bubbles coming out from under the cap.
12. With the shaft compressed, tighten the cap and re-check for pressure at the top of the stroke. If there is still pressure, repeat steps 9 thru 11.

NOTE: Build 4 complete shocks

x1 42080 Shock Cap, Enduro

Step 1-3 **Step 3-4** **Step 5-6** **Step 7** **Step 8-12**

GATE 03 SHOCK BUILD: BAG 9

NOTE: Seat O-Ring into the groove on the inside of the shock collar

x1 42081 O-Ring, Large, Shock Collar

x1 42079 Shock Collar, Black, Aluminum

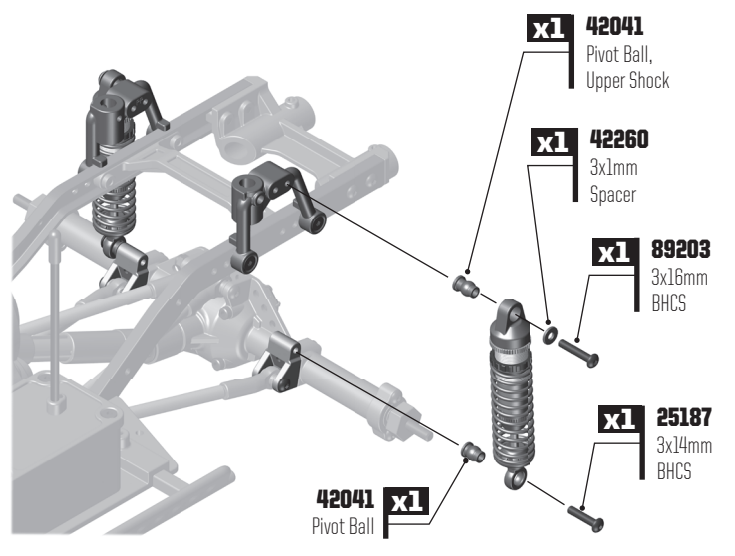
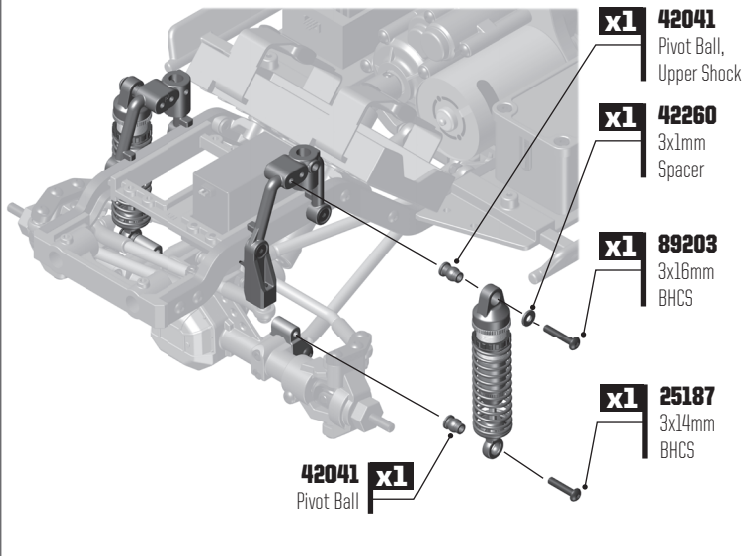
x1 42089 Shock Spring, Gray, 1.49 lb/in, 63mm

x1 42080 Shock Spring Cup

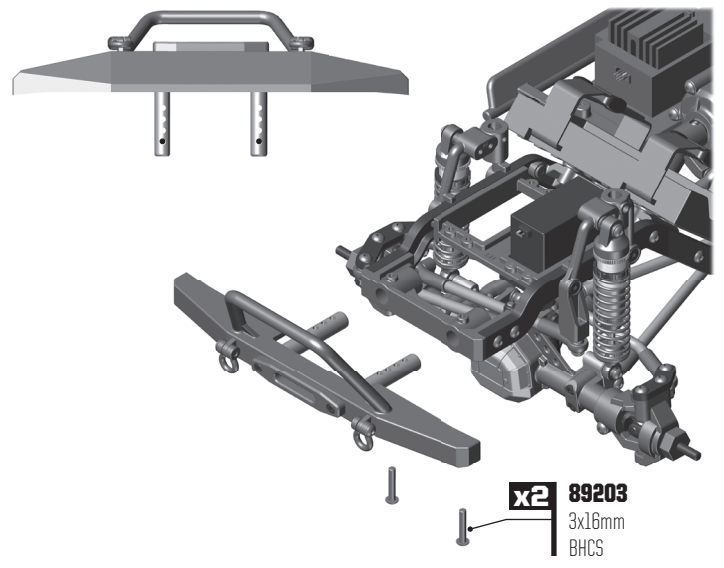
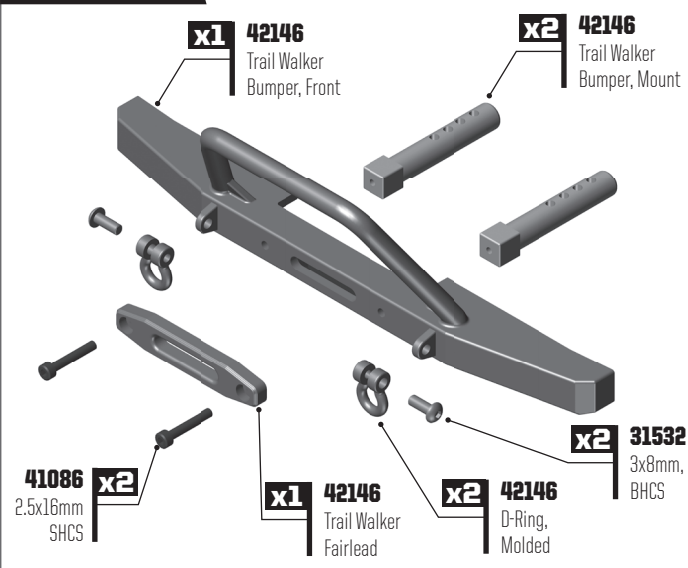
3mm

NOTE: Build 4 complete shocks

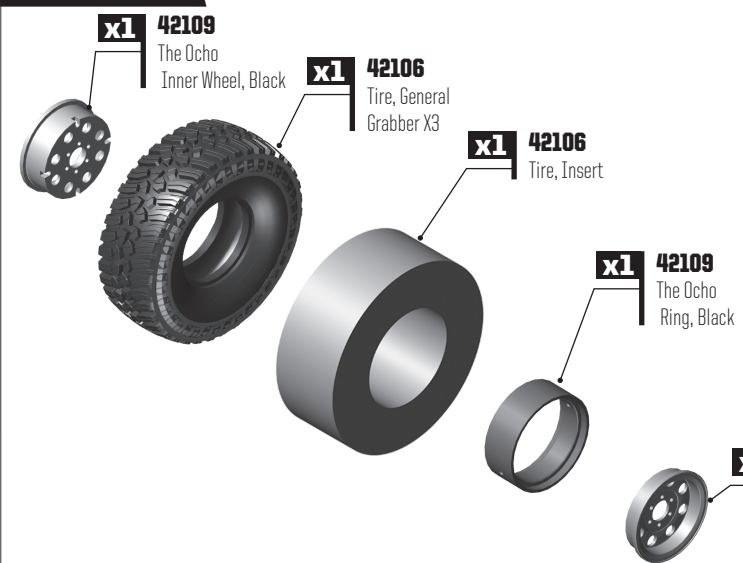
GATE 04 SHOCK BUILD: BAG 9



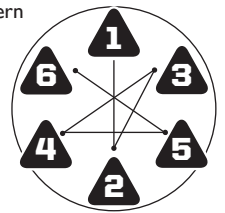
GATE 01 BUMPER BUILD: BAG 10



GATE 01 WHEEL/TIRE BUILD



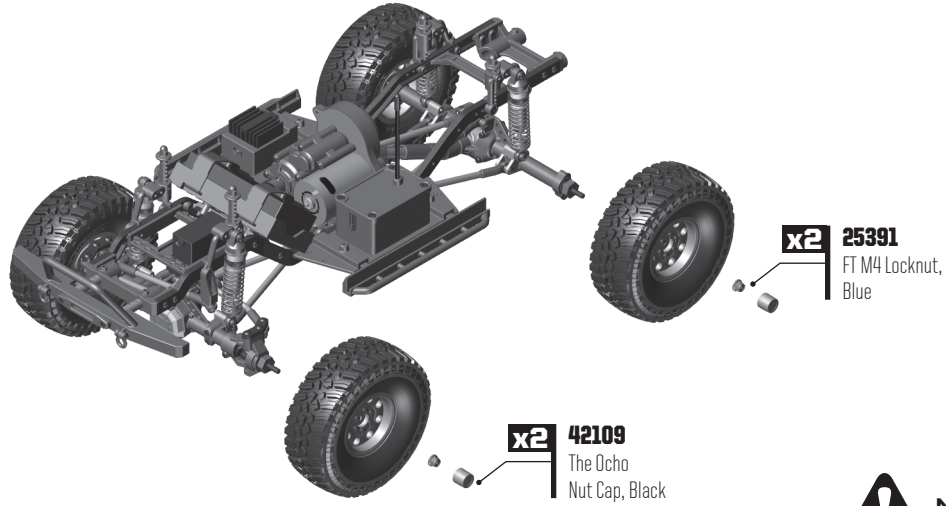
NOTE: Install #41088 screws in a crossing pattern



x6 41088 2.6x10mm BHCS

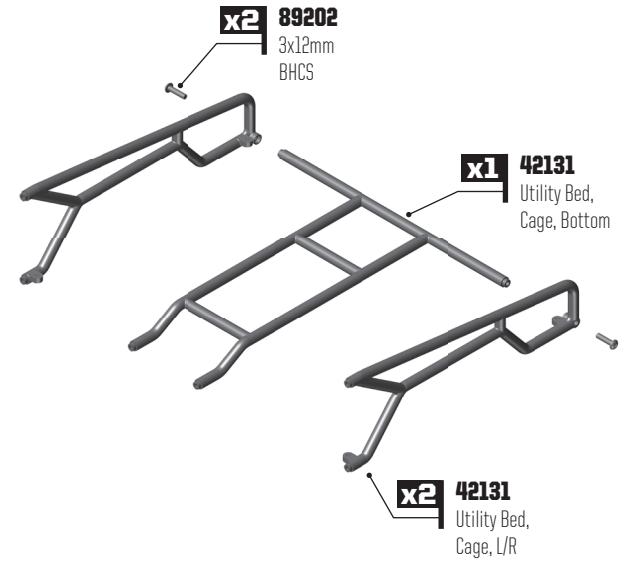
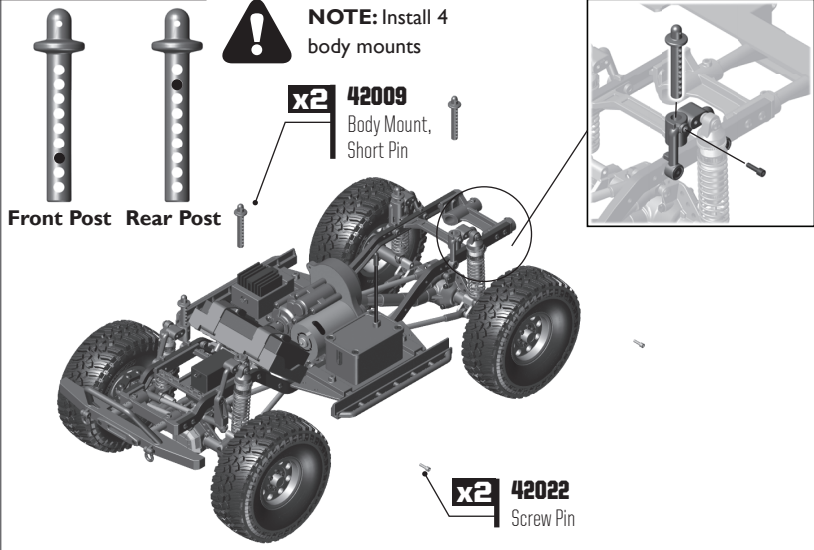
NOTE: Build 4 wheels/tires

GATE 02 WHEEL/TIRE BUILD

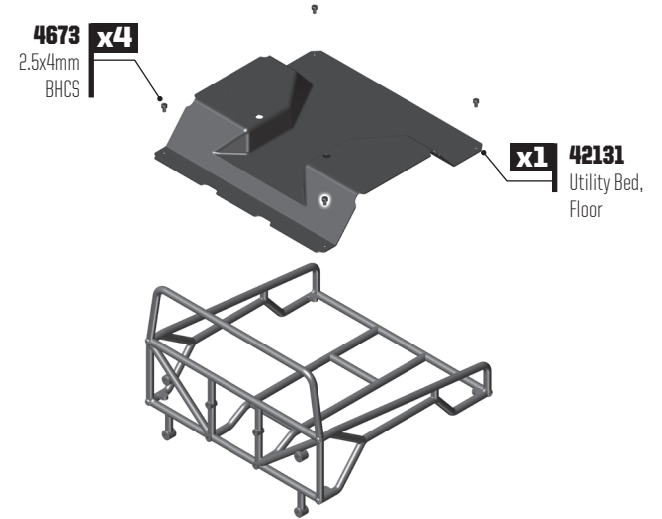
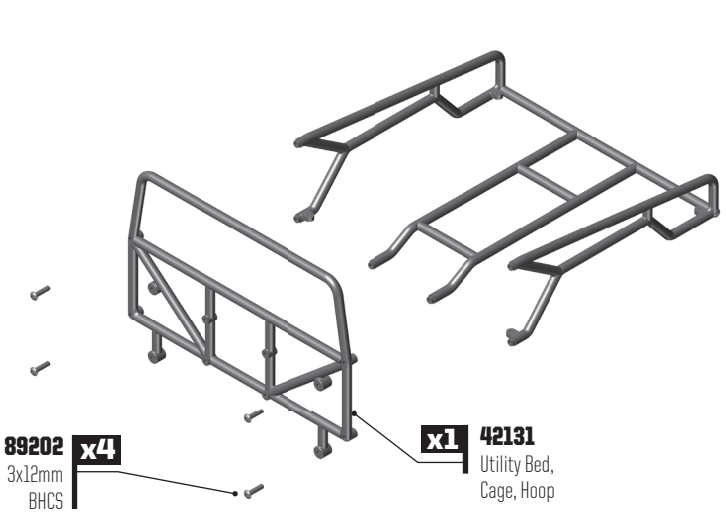


NOTE: Install 4 wheels/tires

GATE 01 BODY BUILD: BAG 11



GATE 02 BODY BUILD: BAG 11



GATE 03

BODY BUILD: BAG 11

x2 42120 Sendero Windshield Wiper Blade

x1 42120 Sendero Body, Cab

x2 7187 2x8mm SHCS

x2 42123 Side Mirror, Black

x2 42123 Side Mirror Mount, Black

x2 5407 O-Ring

x2 31509 2x3mm BHCS

x2 21173 Body Clip, Small

x2 42123 Sendero LED Mount

x2 42123 Sendero Headlight Lense

x1 42123 Sendero Grill Backing Plate

x2 42123 Sendero Headlight Bucket

x1 42123 Sendero Grill, Black

x2 42123 Sendero Turn Signal Lense

x2 41079 2.5x6mm SHCS

x7 31531 3x6mm BHCS

NOTE: Install body clip and o-ring inside the body

NOTE: Install light buckets and hardware inside the body

GATE 04

BODY BUILD: BAG 11

x1 42131 Utility Bed, Mounting Plate

x2 25202 3x10mm FHCS

x2 89209 3x18mm FHCS

x4 42120 Sendero Body, Bed Mount

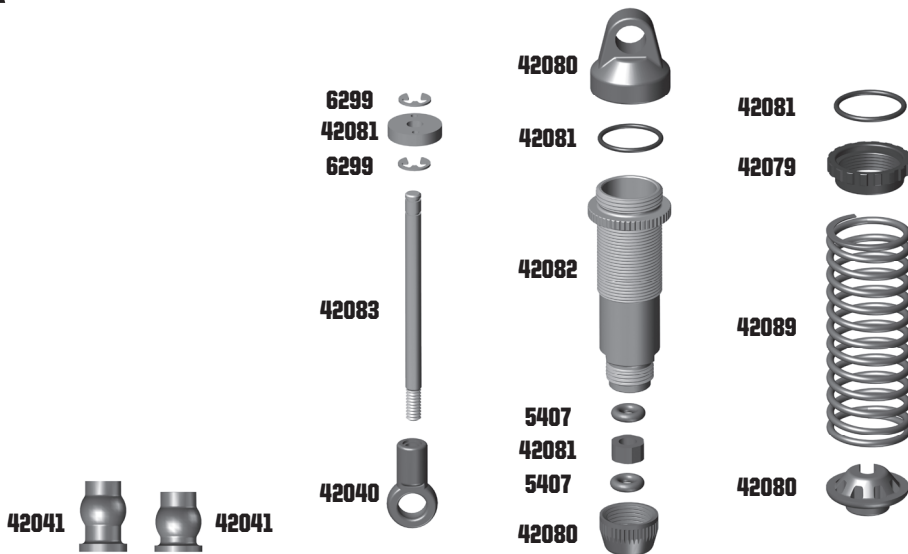
x4 25203 3x12mm, FHCS

x4 6332 Body Clips

NOTE: Install bed mounts and 3x12mm FHCS inside the body

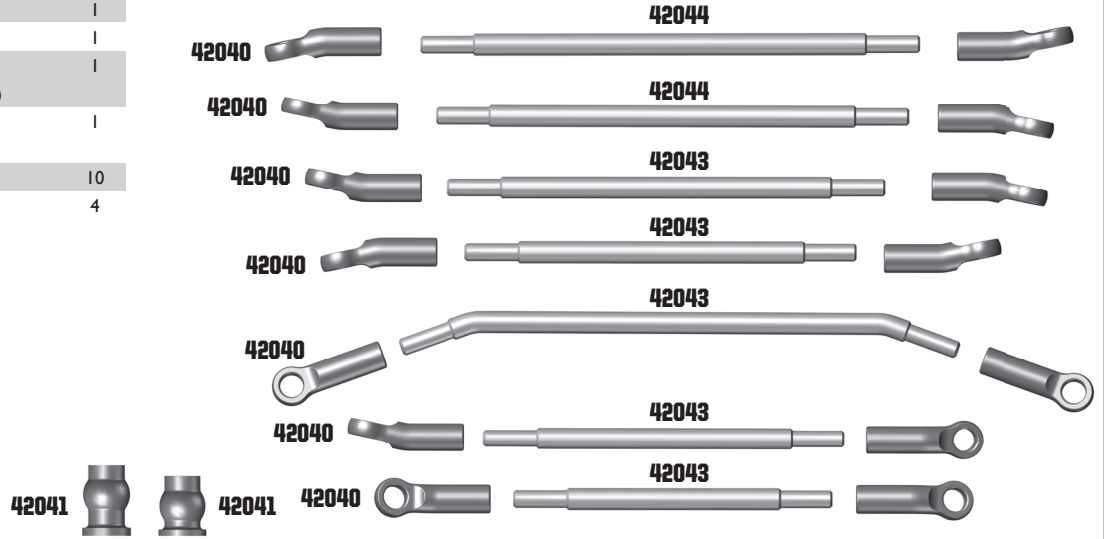
Shocks

5407	O-Rings, Red, Silicone	8
6299	E-Clipp, 1/8"	12
42040	Enduro Rod Ends	2
42041	Enduro Pivot Balls Set	1
42054	FT Enduro Pivot Ball, Steel	10
42055	FT Enduro, Shock Bushing, Steel	4
42079	Enduro Shock Parts, Black Aluminum	2 ea.
42080	Enduro Shock Parts	4 ea.
42081	Enduro Shock Internals	1
42082	Enduro Shock Body, Silver, 10x32mm	2
42083	Enduro Shock Shaft, 3x30mm	2
42085	Enduro Shock Parts, Blue Aluminum	2 ea.
42086	FT Enduro Shock Body, Bronze, 10x32mm	2
42087	Shock Spring, Green 0.71 lb/in, 63mm Long	2
42088	Shock Spring, White, 0.95 lb/in, 63mm Long	2
42089	Shock Spring, Gray, 1.49 lb/in, 63mm Long - KIT	2
42090	Shock Spring, Blue, 2.09 lb/in, 63mm Long	2
42091	Shock Spring, Yellow, 2.47 lb/in, 63mm Long	2



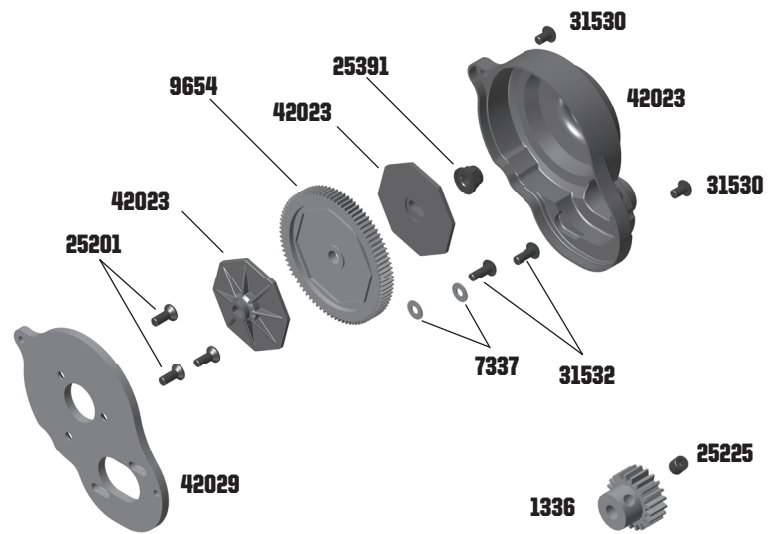
Tie Rods/Links

42040	Enduro Rod Ends	1
42041	Enduro Pivot Balls Set	1
42043	Enduro Front Links Set (Steering, 73mm, 83mm, 90mm, 100mm)	1
42044	Enduro Rear Links Set (96mm, 100mm, 108mm, 114mm)	1
42054	FT Enduro Pivot Balls, Steel	10
42055	FT Enduro Shock Bushings, Steel	4



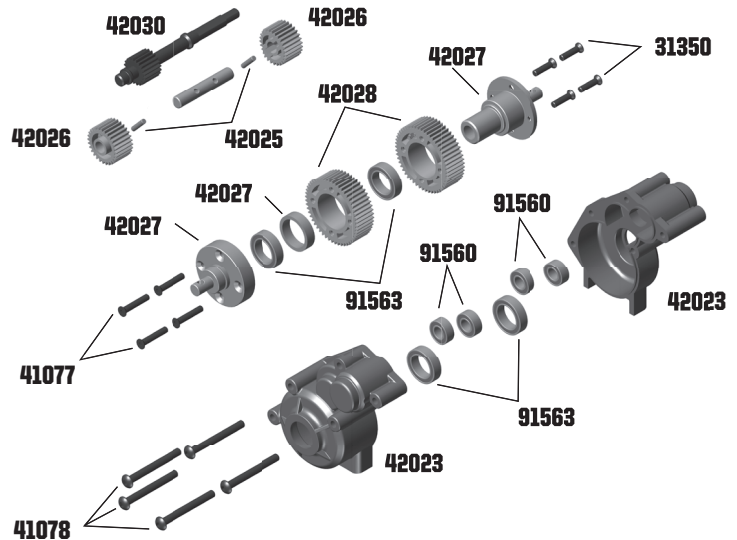
Motor Mount

1336	18T 48P Aluminum Pinion	1
7337	Washers, .250 x .125 x .015	4
9654	Spur Gear, 87T, 48P	1
25201	M3x8mm FHCS	10
25225	M3x3mm Set Screw	10
25391	FT M4 Locknuts, Blue	10
31530	M3x5mm BHCS	10
31532	M3x8mm BHCS	10
42023	Stealth X Gearbox (Case, Gear cover, Spur Gear Hubs)	1
42029	Stealth X (Motor Plate)	1



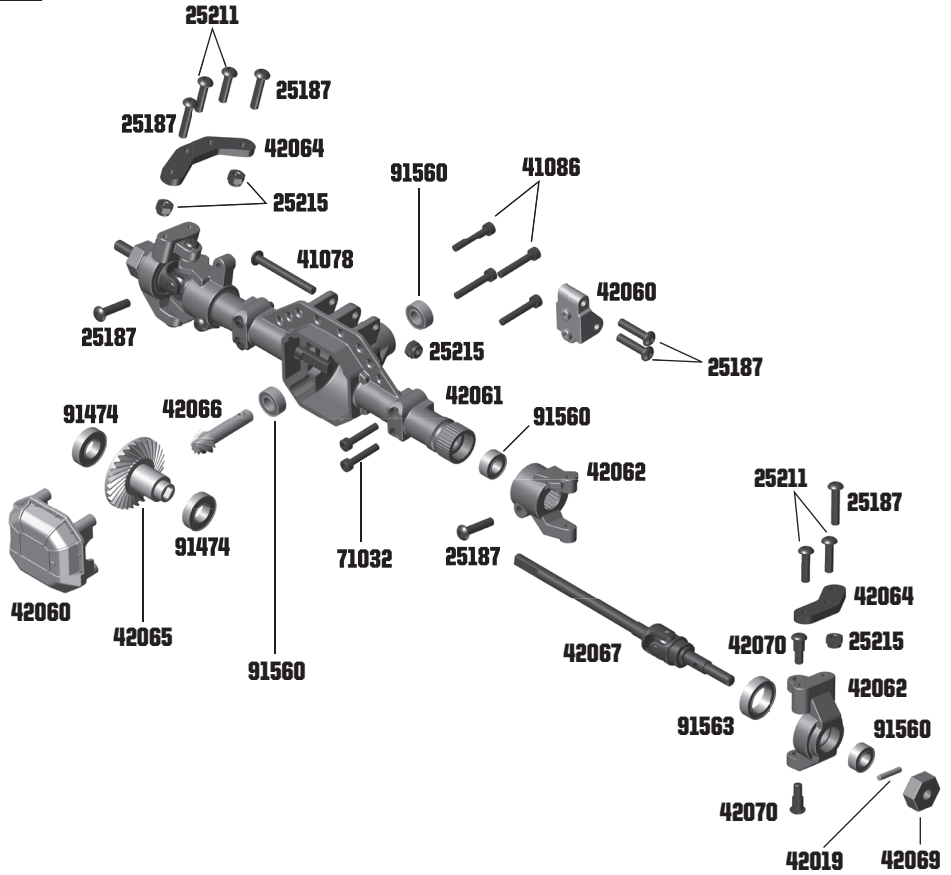
Transmission

31350	M2.5x10mm FHCS	10
41077	M2.5x14mm FHCS	10
41078	M3x28mm BHCS	10
42023	Stealth X Gearbox (Case, Spur Gear Hubs, Gear Cover)	1
42025	Stealth X Idler Shaft, Idler Shim, Pins	1
42026	Stealth X Idler Gear (26T, 27T, 28T)	1 ea
42027	Stealth X Outdrives	1
42028	Stealth X Drive Gear Set	1
42030	Stealth X Top Shaft (Stock Gearbox)	1
91560	FT Bearings, 5x10x4mm	4
91563	FT Bearings, 10x15x4mm	4



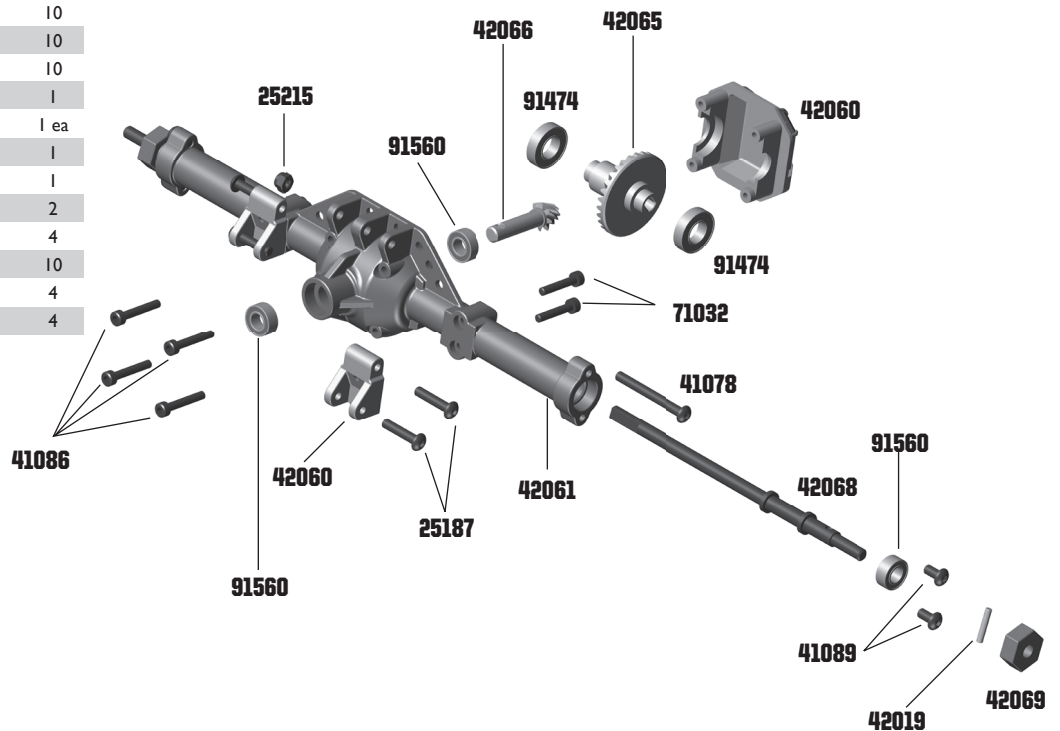
Front Axle

25187	M3x14mm BHCS	10
25211	M3x10mm BHCS	10
25215	M3 Locknut	10
41078	M3x28mm BHCS	10
41086	M2.5x16mm SHCS	10
42019	Enduro 2x11mm Pin	10
42060	Enduro Diff Cover and Lower 4-Link Mounts	1
42061	Enduro Axle Housing (Front, Rear)	1 ea.
42062	Enduro Caster Blocks and Steering Blocks	1 ea.
42064	Enduro Steering Block Arms	1 ea.
42065	Enduro Ring Gear, 30T	1
42066	Enduro Pinion Gear, 8T	1
42067	Enduro Front Universal, Driveshaft, 80mm	2
42069	Enduro Wheel Hex, 6mm	4
42070	Enduro Shoulder Screw (M3x10mm)	6
71032	M2.5x14mm SHCS	10
91474	FT Bearings, 7x14x3.5mm	4
91560	FT Bearings, 5x10x4mm	4
91563	FT Bearings, 10x15x4mm	4



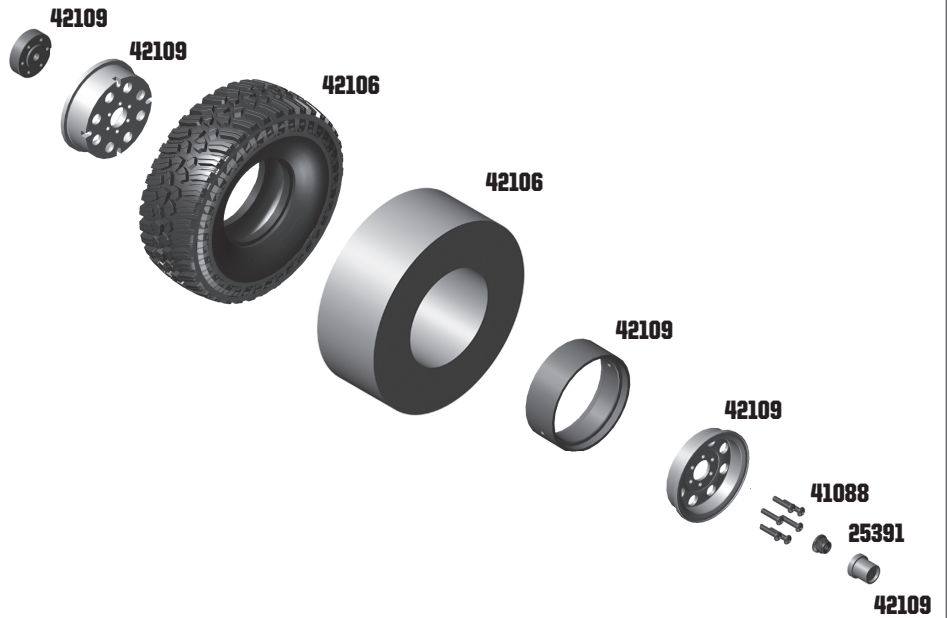
Rear Axle

25187	M3x14mm BHCS	10
25215	M3 Locknut	10
41078	M3x28mm BHCS	10
41086	M2.5x16mm SHCS	10
41089	M3x6mm LP SHCS	10
42019	Enduro 2x11mm Pin	10
42060	Enduro Diff Cover and Lower 4-Link Mounts	1
42061	Enduro Axle Housing (Front, Rear)	1 ea.
42065	Enduro Ring Gear, 30T	1
42066	Enduro Pinion Gear, 8T	1
42068	Enduro Rear Drive Shaft, 80mm	2
42069	Enduro Wheel Hex, 6mm	4
71032	M2.5x14mm SHCS	10
91474	FT Bearings, 7x14x3.5mm	4
91560	FT Bearings, 5x10x4mm	4



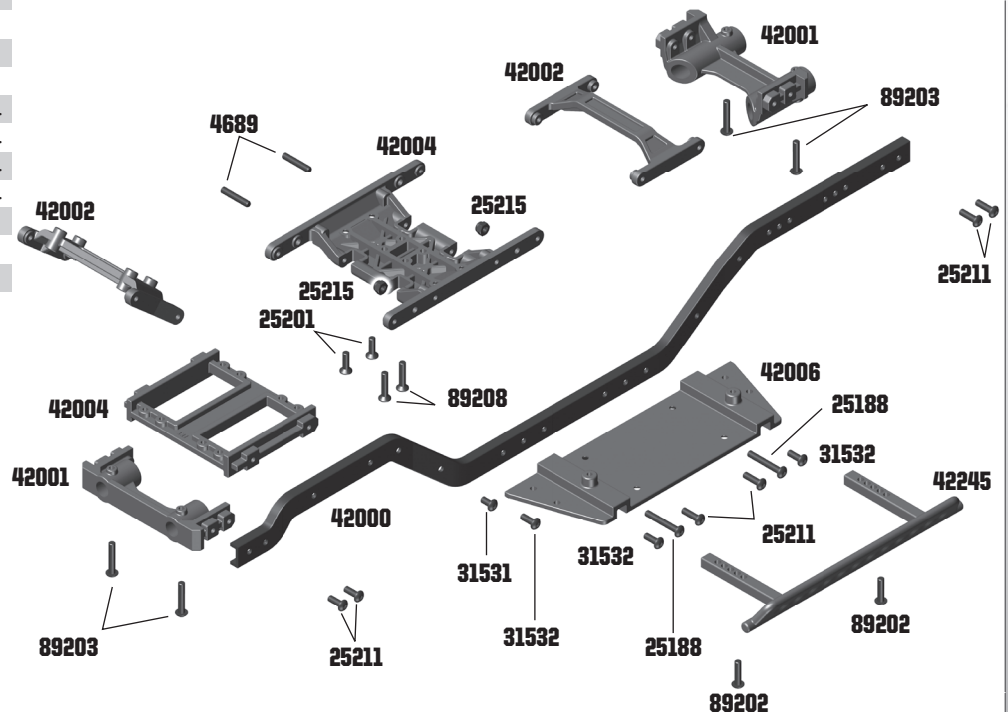
Wheel/Tire

25391	FT M4 Locknuts, Blue	10
41088	M2.6x10mm BHCS	10
42100	Enduro Method 701 Trail Series Wheel, 1.9" Bronze	4
42101	Enduro Method 701 Trail Series Wheel, 1.9" Black	4
42102	FT Enduro Beadlock Rings, Brass	4
42103	FT Enduro Beadlock Hex Adapter, Aluminum	4
42104	FT Enduro Beadlock Hex Adapter, Brass	4
42105	FT Tire Insert, 1.9"	2
42106	General Grabber X3 Tire w/Insert (1.9x4.65" DIA)	2
42107	General Grabber ATX Tire w/Insert - KIT (1.55" x 3.85" DIA)	2
42108	Enduro The Ocho Wheel, 1.9" Silver	4
42109	Enduro The Ocho Wheel, 1.9" Black	4
42110	Enduro Trigon Wheel, 1.55" Silver	4
42111	Enduro Trigon Wheel, 1.55" Black	4



Chassis

4689	M3x16mm Set Screw	10
25188	M3x20mm BHCS	10
25201	M3x8mm FHCS	10
25211	M3x10mm BHCS	10
25215	M3 Locknuts	10
31531	M3x6mm BHCS	10
31532	M3x8mm BHCS	10
42000	Enduro Chassis Rail Set	1
42001	Enduro Bumper Mount Set (Front, Rear)	1 ea.
42002	Enduro Frame Mounting Plates	1 ea.
42004	Enduro Gearbox and Servo Mounts	1 ea.
42006	Enduro Floor Boards and Receiver Box	1 ea.
42245	Enduro Rock Sliders	2
89202	M3x12mm BHCS	10
89203	M3x16mm BHCS	10
89208	M3x14mm FHCS	10



SHOCK FLUIDS

5420	10 Weight Silicone Shock Fluid	2oz.
5421	20 Weight Silicone Shock Fluid	2oz.
5422	30 Weight Silicone Shock Fluid	2oz.
5423	40 Weight Silicone Shock Fluid	2oz.
5424	22.5 Weight Silicone Shock Fluid	2oz.
5425	80 Weight Silicone Shock Fluid	2oz.
5426	27.5 Weight Silicone Shock Fluid	2oz.
5427	15 Weight Silicone Shock Fluid	2oz.
5428	25 Weight Silicone Shock Fluid	2oz.
5429	35 Weight Silicone Shock Fluid	2oz.
5430	45 Weight Silicone Shock Fluid	2oz.
5431	55 Weight Silicone Shock Fluid	2oz.
5432	32.5 Weight Silicone Shock Fluid	2oz.
5433	37.5 Weight Silicone Shock Fluid	2oz.
5434	42.5 Weight Silicone Shock Fluid	2oz.
5435	50 Weight Silicone Shock Fluid	2oz.
5436	60 Weight Silicone Shock Fluid	2oz.
5437	70 Weight Silicone Shock Fluid	2oz.
5438	47.5 Weight Silicone Shock Fluid	2oz.

BODIES & DECALS

5407	O-Rings, Red, Silicone	8
6332	Body Clips	10
7187	M2x8mm SHCS	10
21173	Body Clips, Small	10
25203	M3x12mm FHCS	10
31509	M2x3mm BHCS	10
31511	M2x5mm SHCS	10
31531	M3x6mm BHCS	10
41079	M2.5x6mm SHCS	10
42120	Sendero Body Set, Clear (with Black Body Accessories)	1
42121	Sendero Body, Clear (Cab, Bed, Window Masks)	1
42122	Sendero Body Decal Sheet	1
42123	Sendero Body Accessories, Black	1
42124	Sendero Body Accessories, Chrome	1
42125	Sendero Body Accessories, Satin Chrome	1
42126	Sendero Bumpers (Front, Rear, and Fairlead), Black	1
42127	FT Sendero Fairlead, Aluminum	1
42128	FT Sendero Fairlead, Gunmetal Aluminum	1
42129	FT Sendero Fairlead, Green Aluminum	1
42130	FT Sendero Fairlead, Blue Aluminum	1
42131	Sendero Utility Bed	1
42132	Sendero Inner Fenders	1
42133	Element Decal Sheet	1
42140	Trail Walker Body Set, Clear	1
42141	Trail Walker Body, Clear	1
42142	Trail Walker Decal Set	1
42143	Trail Walker Body Accessories, Black	1
42144	Trail Walker Body Accessories, Silver	1
42145	Trail Walker Body Accessories, Grommets	1
42146	Trail Walker Bumper	1
42147	Trail Walker Body, Rear Shell	1
42148	Enduro Scale Decal Sheet	1
42235	Sendero HD Body, RTR	1
42236	Sendero HD Body Set, Clear	1
42237	Sendero HD Decal Sheet	1
42238	Trailrunner Body Set, Fire	1
42240	Trailrunner Body Set, White	1
42241	Trailrunner Body Set, Clear	1
42242	Trailrunner Decal Sheet	1
42243	Trailrunner Body Accessories	1
42244	Trailrunner Bumper Set	1

OPTION PARTS

42010	Enduro Bumper Mounts, Hard	1
42011	Enduro Frame Mounting Plates, Hard	1
42012	Enduro Gearbox and Servo Mounts, Hard	1
42013	Enduro Shock Mount Set, Hard	1
42014	Enduro Floor Board, Receiver Box, Hard	1
42015	Enduro Rock Slider, Hard	1
42018	Enduro 12.8" Wheelbase Conversion	1
42024	Stealth X Gearbox Top Shaft, Inverse Gearbox	1
42031	FT Stealth X Gearbox Idler Gear Set, Machined	1
42032	FT Stealth X Gearbox Drive Gear Set, Machined	1
42033	FT Stealth X Spur Gear Hub, Aluminum	2
42034	Stealth X Gearbox, Complete	1
42045	FT Enduro High Clearance Link Set	1
42054	FT Pivot Ball, Steel (6mm)	10
42055	FT Pivot Ball, Shock Bushing, Steel	4
42056	FT Enduro Pivot Ball Set, Steel	1
42058	FT Enduro Ring Gear Spool	1
42059	FT Enduro Ring Gear, Machined 30T	1
42071	Enduro Diff Cover and Lower 4-Link Mounts, Hard	1
42072	Enduro Axle Housing (Front, Rear), Hard	1 ea
42073	Enduro Caster and Steering Blocks, Hard	1
42076	FT Enduro Wheel Hex, 6mm (w/Set Screw) Steel	4
42077	Enduro Axle Kit, Complete (Builds either 1 front or 1 rear axle)	1
42078	FT Enduro Shock Set, 10x90mm	1
42079	Enduro Shock Parts, Black Aluminum	2 ea.
42085	Enduro Shock Parts, Blue Aluminum	2 ea.
42086	FT Enduro Shock Bodies, Bronze, 10x32mm	2
42103	FT Enduro Beadlock Hex Adapters, Aluminum	4
42104	FT Enduro Beadlock Hex Adapters, Brass	4
42105	FT Tire Inserts, 1.9", 4.56 Inner Diameter	2
42206	Enduro IFS Steering Bellcranks, Hard	1
42207	Enduro IFS Suspension Arms, Hard	1
42208	Enduro IFS Gearbox and Servo Mounts Set, Hard	1
42209	Enduro IFS Skid Plates, Hard	1
42245	Trailrunner Rock Sliders	1
42246	Trailrunner Rock Sliders, Hard	1
42247	Trailrunner Exhaust, Magnaflow	1

PINIONS / SPUR GEARS

1335	17T 48P Aluminum Pinion Gear	1
1336	18T 48P Aluminum Pinion Gear (Kit)	1
1337	19T 48P Aluminum Pinion Gear	1
1338	20T 48P Aluminum Pinion Gear	1
1339	21T 48P Aluminum Pinion Gear	1
1340	22T 48P Aluminum Pinion Gear	1
1341	23T 48P Aluminum Pinion Gear	1
1342	24T 48P Aluminum Pinion Gear	1
1343	25T 48P Aluminum Pinion Gear	1
1344	26T 48P Aluminum Pinion Gear	1
1345	27T 48P Aluminum Pinion Gear	1
9652	78T 48P Spur Gear	1
9653	84T 48P Spur Gear	1
9654	87T 48P Spur Gear (Kit)	1

XP / AE ELECTRONICS

29257	AE XP130 2.4GHz 3CH Radio System	
29262	ESS-One+ 2017 Engine Sound System	
29263	ESS-Dual+ Engine Sound System	
29264	ESS-Air Engine Sound System	
29265	XP Police Light Bar, 1:10 Scale	
29266	XP LED RC Light Kit (12 LED's)	
29267	XP LED Roof Light Kit (4 LED's)	
29268	XP LED Roof Light Kit (6 LED's)	
29272	XP 5 LED Aluminum Light Bar, 88mm	
29273	XP 7 LED ALuminum Light Bar, 120mm	
29274	XP 10 LED Aluminum Light Bar, 170mm	
29275	XP LED Light Bar Hardware	
29277	XP Head and Tail Light Kit	
29279	XP LED Rock Light Set, 150mm	
29290	XP DSV System	

REEDY ELECTRONICS

MOTORS

27424	Reedy Radon2 Crawler 16T 5-Slot 1850kV Brushed Motor	
27425	Reedy Radon 2 15T 3-Slot 4100Kv Brushed Motor	
27426	Reedy Radon 2 17T 3-Slot 3600Kv Brushed Motor	
27427	Reedy Radon 2 19T 3-Slot 3200Kv Brushed Motor	
27430	Reedy Crawler 16T 5-Slot RTR Brushed Motor	
27431	Reedy Radon2 Crawler 12T 5-Slot 2700kV Brushed Motor	
27432	Reedy Radon2 Crawler 20T 5-Slot 1500kV Brushed Motor	

ESC's (SPEED CONTROLLERS)

27011	Reedy SC480X Brushed Crawler ESC	
27034	Reedy SC480X Program Card	
29199	Reedy SC400X Brushed Crawler ESC	

SERVOS & SERVO ACCESSORIES

27100	RS1206 Digital HV Hi-Speed Competition Servo	
27101	RT1508 Digital HV Hi-Torque Competition Servo	
27102	RS1206 Servo Case Set w/screws	
27103	RS1206 Servo Gear Set	
27105	RT1508 Servo Gear Set	
27110	0712MG Digital RTR Servo	
27111	1514MG Digital RTR Servo	
27116	RC2312 Digital HV Competition Crawler Servo	
27122	Reedy Aluminum Servo Horn (25)	
27123	Reedy Aluminum Clamping Servo Horn (25)	
27129	0712MG Servo Gear Set	
27130	1514MG Servo Gear Set	
27135	RT2406 Gear Set	
27136	RT2706A Gear Set	
27139	RT2406 Case Set	
27140	RC2312 Gear Set	
27141	RC2312 Case Set	

REEDY BATTERIES / CHARGERS

BATTERIES

302	AA Alkaline 1.5V (4)	
751	Wolfpack LiPo 3300mAh 30C 7.4V w/T-Plug (#730)	
752	Wolfpack LiPo 4000mAh 35C 7.4V w/T-Plug (#731)	
755	Wolfpack LiPo 4500mAh 35C 11.1V w/T-Plug (#735)	
758	Wolfpack LiPo 3000mAh 30C 7.4V Shorty w/T-Plug	
759	Wolfpack LiPo 3000mAh 30C 11.1V Shorty w/T-Plug	
27313	LiPo Pro TX/RX 2400mAh 7.4V Flat	
27315	LiFe Pro TX/RX 1600mAh 6.6V Flat	

CHARGERS

27201	Reedy 324-S Compact Balance Charger	
27202	123-S AC LiPo Compact Balance Charger	
27203	Reedy 1416-C2L Dual AC/DC Competition Balance Charger	

CHARGER ACCESSORIES

27220	7-in-1 Universal Charge Lead (4mm)	
27221	T-plug Charge Lead (4mm)	
27222	XH 2-6S Balance Board (4mm)	
27223	RX Charger Lead FUT (4mm)	
27224	US to IEC 320 C5 angle IMAC Power Cord	
27226	EU to IEC 320 C5 angle IMAC Power Cord	
27233	Reedy 1-2S 4mm/5mm Pro Charge Lead	
27234	Reedy 4S 5mm Pro Charge Lead	
27235	Reedy 2S RX/TX Pro Charge Lead	
27236	Reedy 2S-4S T-plug Pro Charge Lead	
27237	Reedy 2S-4S XT60 Pro Charge Lead	

REEDY ACCESSORIES

647	Silicone Wire 12AWG-Black (1m)	
648	Silicone Wire 14AWG-Black (1m)	
650	Shrink Tubing - 15pcs 4.5mm x 20mm	
790	Silicone Wire 13AWG-Black (1m)	
791	Silicone Wire 13AWG-Black (30m)	
27304	LiPo Battery Weight Set - Shorty	
27433	Reedy Radon 2 Brush and Spring Set	
27434	Reedy Radon 2 Wire Set	

APPAREL / PROMOTIONAL

TEE SHIRTS

SP124*	AE 2017 Worlds Tee, Black (S, M, L, XL-5XL)	I
SP126*	Team Associated Tri T-Shirt, Black (S, M, L, XL-5XL)	I
SP140*	Reedy Heritage Tee, Black (S, M, L, XL-5XL)	I
SP200*	Element RC Logo Tee, Gray (S, M, L, XL-5XL)	I
SP201*	Element RC Rhombus Tee, Black (S, M, L, XL-5XL)	I

HOODIES/JACKETS

SP142*	Reedy W19 Hoodie - Black (S, M, L, XL-3XL)	I
SP230	Element RC Zip Up, Black (S, M, L, XL-5XL)	I
SP231	Element RC Hoodie, Black (S, M, L, XL-5XL)	I
SP250	Element RC Jacket, Black (S, M, L, XL-2XL)	I

HATS

SP20	AE Patch Trucker Hat	I
SP430	Reedy Trucker Hat 2018	I
SP260	Element RC Hat, Curved Bill, Black	I
SP261	Element RC Hat, Flat Bill, Black	I
SP262	Element RC Beanie, Black	I

BANNERS/MATS CARRIERS

SP115	Reedy Circuit Cloth Banner	I
SP280	Element RC Counter Top Mat	I
SP281	Element RC Pit Mat	I
SP282	Element RC Pit Towel	I
SP425	FT Fluid Carrier	I

* Use part number plus the desired size when ordering!

LUBES & ADHESIVES

1105	FT Green Slime Shock Lube	I
1596	FT Locking Adhesive	I
1597	FT Tire Adhesive, medium	I
6588	Black Grease - 4cc	I
6591	S.Diff Lube - 4cc	I
6636	Silicone Grease - 4cc	I
6727	Servo Tape	2

TOOLS

1111	FT Turnbuckle Wrench	I
1112	FT 4mm Turnbuckle Wrench	I
1114	FT Dual Turnbuckle Wrench	I
1452	FT TC Ride Height Gauge	I
1498	FT Universal Tire Balancer	I
1499	FT Body Reamer	I
1500	FT 1.5mm Hex Driver	I
1501	FT 2.0mm Hex Driver	I
1502	FT 2.0mm Ball Hex Driver	I
1503	FT 2.5mm Hex Driver	I
1504	FT 2.5mm Ball Hex Driver	I
1505	FT 3.0mm Hex Driver	I
1506	FT 5.0mm Hex Driver	I
1507	FT 5.5mm Nut Driver	I
1508	FT 7.0mm Nut Driver	I
1510	FT 1.5mm Hex Replacement Tip	I
1511	FT 2.0mm Hex Replacement Tip	I
1512	FT 2.0mm Ball Replacement Tip	I
1513	FT 2.5mm Hex Replacement Tip	I
1514	FT 2.5mm Ball Replacement Tip	I
1515	FT 3.0mm Hex Replacement Tip	I
1518	FT HEX Driver Tool Set (3pcs)	I
1519	FT Hex/Nut Driver Tool Set (5pc)	I
1522	FT Digital Scale, 100/0.01g	I
1555	FT Clutch Gauge, 4 Shoe	I
1568	FT 5.5mm Short Nut Driver	I
1569	FT 7mm Nut Driver, T-Handle	I
1570	FT 5.5mm Short Nut Driver	I
1571	FT 1:8 Wheel Nut Wrench, 17mm Hex	I
1579	FT Ball Cup Wrench - (will not work on Enduro rod ends)	I
1595	Chassis Weights, 1/4 oz	I
1650	7 Piece Hex Driver Set	I
1657	FT 1/4" Hex Drive .050" Tip	I
1659	FT 1/4" Hex Drive 5/64" - 2.0mm Tip	I
1661	FT 1/4" Hex Drive 1.5mm Tip	I
1662	FT 1/4" Hex Drive 2.5mm Tip	I
1666	FT 1/4" Hex Drive 5.5mm Nut Driver Tip	I
1667	FT 1/4" Hex Drive 7.0mm Nut Driver Tip	I
1668	FT 1/4" Hex Drive 8.0mm Nut Driver Tip	I
1674	FT 1/4" 5 Piece Power Tool Tips Set (5/64-2.0mm, 1.5mm, 2.5mm, 5/64" - 2.0mm ball, 2.5mm ball)	I
1679	FT T-Handle Ratchet Driver	I
1737	FT Body Scissors	I
3987	FT Droop Gauge	I
89240	RC8 FT Turnbuckle Wrench	I

GATE 01**STEALTH X: BUILD CONFIGURATION: MOTOR MOUNT FACING REAR (STOCK)****OVERDRIVE:**

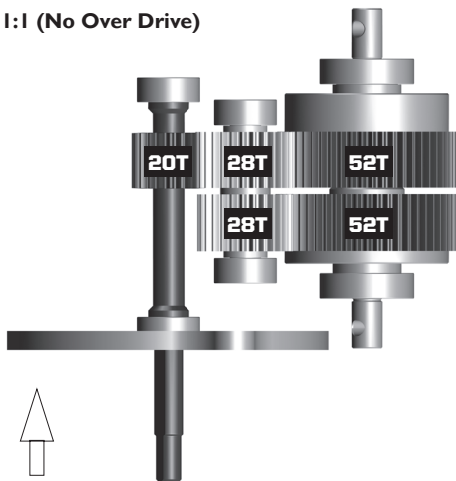
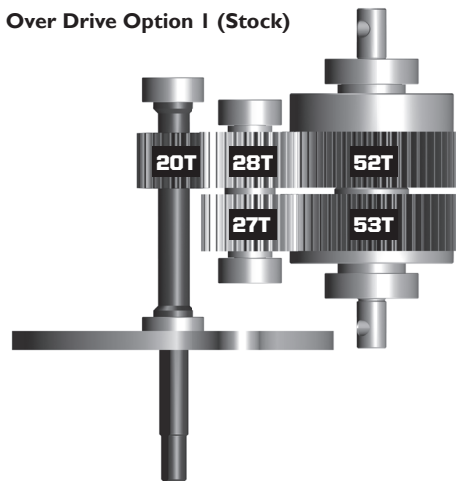
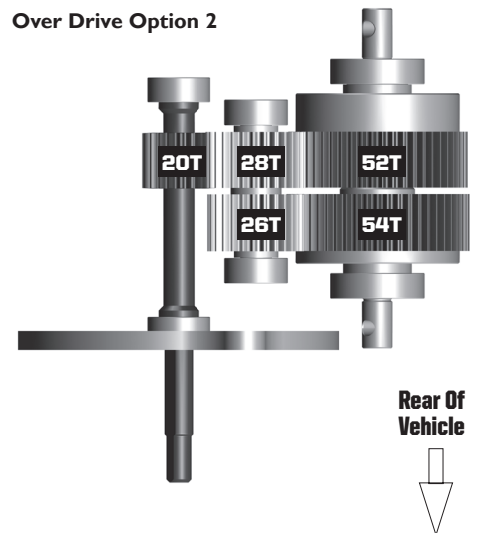
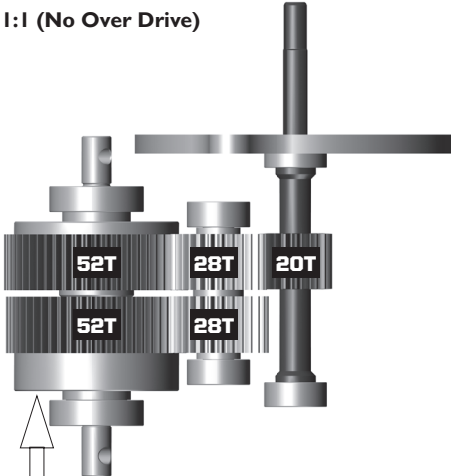
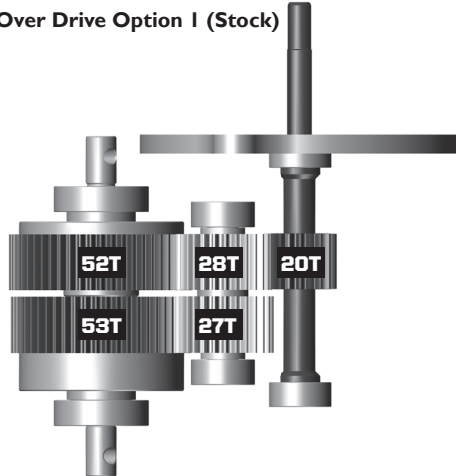
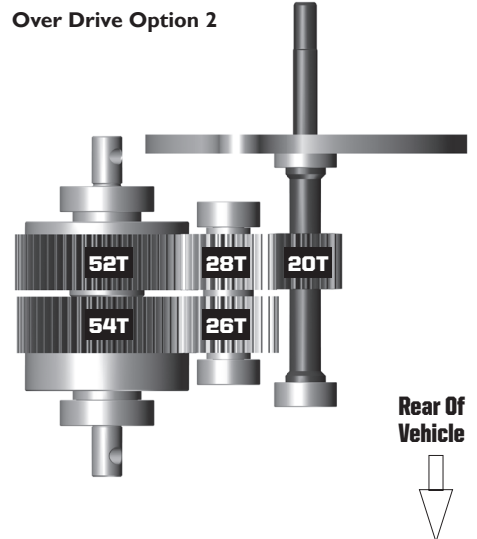
Overdrive is a scenario where the front and rear wheels do not rotate at the same speed. The Stealth X gearbox is designed to allow the front wheels to spin faster than the rear wheels. Overdrive is advantageous when climbing up rock faces because the front tires will want to pull the vehicle up the rock. On descents, the rear tires rotating slower than the front tires will help keep the chassis more stable and keep the rear tires planted on the ground.

Stealth X:

The Stealth X gearbox allows the driver to change the front to rear drive ratios with 3 separate ratio adjustments to the rear drive shaft. The driver has the option to flip the gearbox direction (motor mount facing the front) the optional inverse top shaft (#42024) is required.

Please Note:

The 20T top shaft, 28T idler gear, and 52T drive gear will always be meshed together in all 6 gearbox configurations.

GATE 02**STEALTH X: BUILD CONFIGURATION: MOTOR MOUNT FACING REAR (STOCK)****1:1 (No Over Drive)****Over Drive Option 1 (Stock)****Over Drive Option 2****GATE 03****STEALTH X: BUILD CONFIGURATION: MOTOR MOUNT FACING FRONT (OPTIONAL - REQUIRES #42024 - TOP SHAFT)****1:1 (No Over Drive)****Over Drive Option 1 (Stock)****Over Drive Option 2**

TRAIL TIPS AND CHECKLIST

PREPARING TO HIT THE TRAIL:

When preparing to hit the trail, it's a good idea to have a checklist to make sure you have everything and don't end up having to head back early. We've compiled a checklist of the things we think you'll need on the trail. We've also left some space for you to add your specific items to the list. Keep in mind these are suggestions and every person will require different items. Weather and altitude will also dictate how much food and water a person will require. Do a little research first before heading out for a full day on the trail.

- Truck with Charged Battery
- 1-2 spare Charged Batteries for your rig
- Radio with Charged Batteries
- Spare radio batteries
- Check all nuts and screws and tighten them. Including Wheel nuts!
- Spare parts (Nuts, Screws, Body Clips, and anything that may wear or break)
- Backpack
- Water (2 liters per person minimum)
- Snacks (protein bars, trailmix, etc.)
- Sturdy shoes (Hiking boots preferably or something with grip and ankle support)
- Element Hat or Beanie
- Element Hoodie or Jacket
- Sunscreen
- Bug Spray
- Lip Balm
- Nut Drivers (Factory Team Nut Drivers #1507, 1508)
- Allen wrenches (Factory Team Hex Driver set #1655)
- Cell phone and charger
- Headlight or flashlight with spare batteries
- Compact action camera
- Camera
- Tripod
- _____
- _____
- _____
- _____
- _____
- _____

TREAD LIGHTLY:

Remember, when driving your rig out on the trails, it's important to tread lightly. We all know that the best place to enjoy our hobby is out in nature, and that means we need to preserve it for future hobbyist so we all have a place to enjoy. Here are a few tips to remember when out on the trail.

• Pack In/Pack Out:

Don't leave anything behind. Whether it's trash, parts, or food. If you brought it, take it with you.

• National and Public Parks:

If visiting a national park, leave the RC cars at home. It is illegal to drive any radio control vehicle within national park boundaries. Public parks are slightly different, some may allow radio control cars and others may not. Check with your local officials before driving in a public park.

• Be Considerate:

Where ever you drive your radio control car, always be considerate of others. Hikers, bicyclists, and animals should always be given the right of way.

• Keep It Quiet:

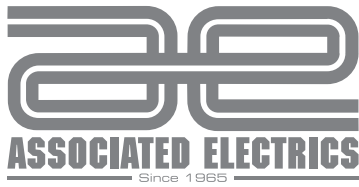
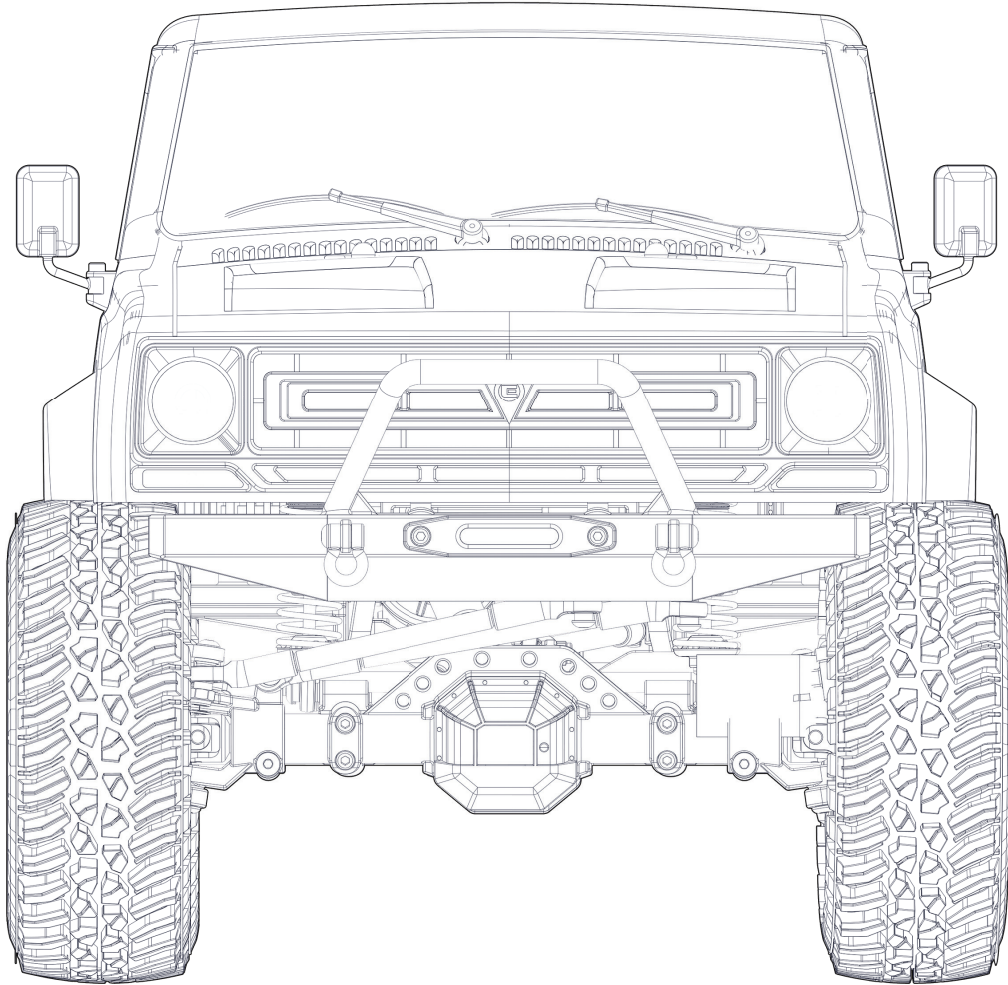
If you're sharing an area with other people, try to keep the noise to a minimum. If you come across animals or anglers, please be considerate and give them space.

• Give A Hoot, Don't Pollute:

When enjoying the outdoors take your trash with you. Not only is it bad for the environment, it's unsightly. If you see trash, pick it up, even if it isn't yours. If we all do our part we can work together to keep our planet beautiful for future generations.

• Only You Can Prevent Wild Fires:

Some of us like to mix camping with RC cars. This is great! Just remember to follow all safety precautions and put out any camp fires before calling it a night. Also, be sure to unplug and **store all LiPo batteries in LiPo sacks and a fire resistant storage device.**



ASSOCIATED ELECTRICS, INC.
21062 BAKE PARKWAY. LAKE FOREST, CA 92630 USA

CALL: (949) 544-7500 - FAX: (949) 544-7501
CHECK OUT THE FOLLOWING WEB SITES FOR ALL OF OUR KITS,
CURRENT PRODUCTS, NEW RELEASES, SETUP HELP, TIPS, AND RACING INFO!
WWW.ASSOCIATELECTRICS.COM
#112149



ElementRC



@Element_RC