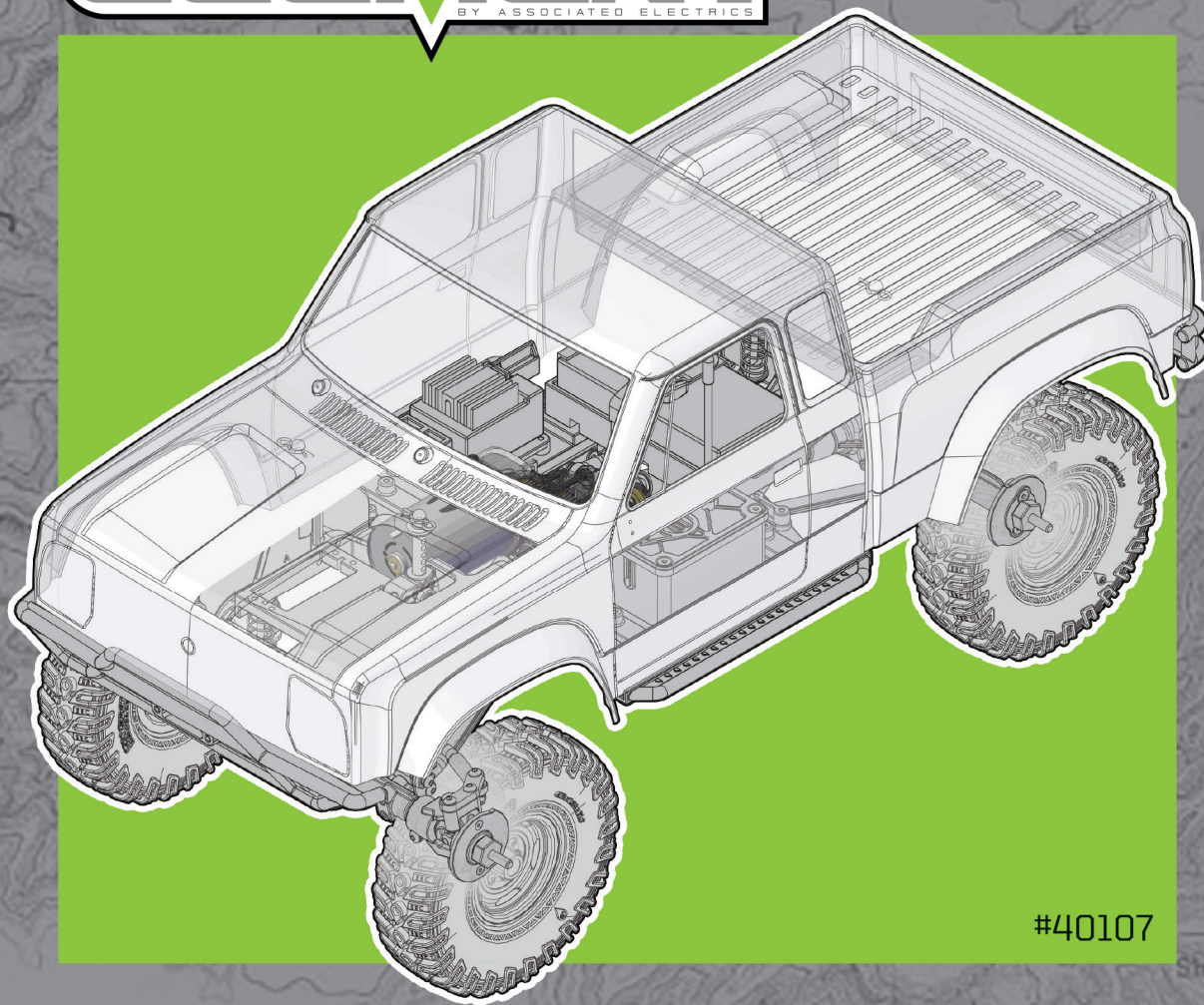


Enduro Sport Edition Chassis



#40107

REPAIR MANUAL

- Enduro Chassis
- Sport Edition
- Solid Axle
- Stealth-XF Transmission
- Four-Wheel-Drive



SENDURO SE



Associated Electrics, Inc.
21062 Bake Parkway
Lake Forest, CA 92630

Customer Service
Tel: 949.544.7500
Fax: 949.544.7501

Follow Us On Social Media



ElementRC



@Element_RC

www.ElementRC.com

AE is a Registered Trademark of Associated Electrics, Inc.

TEAM ASSOCIATED is a Registered Trademark of Associated Electrics, Inc.

REEDY is a Registered Trademark of Associated Electrics, Inc.

FACTORY TEAM is a Registered Trademark of Associated Electrics, Inc.

ELEMENT™ is a Trademark of Associated Electrics, Inc.

AREA 51 is a Registered Trademark of Associated Electrics, Inc.

STEALTH is a Registered Trademark of Associated Electrics, Inc.

GREEN SLIME is a Registered Trademark of Associated Electrics, Inc.

ITEMS NEEDED

The following items are required to build or maintain your Enduro Trail Truck.

- 1.5mm Allen Wrench (#1500)
- 2mm Allen Wrench (#1501)
- 2.5mm Allen Wrench (#1503)
- Pliers
- Long Nose Pliers
- 5.5mm Nut Driver (#1507)
- 7mm Nut Driver (#1508)

OTHER HELPFUL ITEMS

The following items aren't required, but will aid in the building and maintaining of your Enduro Trail Truck.

- Threadlock (#1596)
- Green Slime (#1105)
- Black Grease (#6588)

Your journey begins here.



INTRODUCTION

Thank you for purchasing this Element RC product. This assembly manual contains instructions and tips for building and maintaining your new Enduro chassis. Please take a moment to read through this manual to help familiarize yourself with these steps. We are continually changing and improving our designs; therefore, actual parts may appear slightly different than in the illustrations. New parts will be noted on supplementary sheets located in the appropriate parts bags.

ENDURO TRAIL TRUCK

ALL IN THE DETAILS. The original Sendero is back with a fresh new look! Inspired by 80's and 90's truck styling, the Sendero SE boasts detailed and realistic-looking features. Made from high-strength polycarbonate, the one-piece body has been pre-painted with a two-tone color scheme to look fresh off the showroom floor. The new front and rear bumpers fit snugly against the body for added approach and departure angles and just look awesome!

For added scale realism, the Sendero SE comes equipped with a pair of front injection molded inner fenders. If you would like to add a little more scale realism, the Sendero SE is completely compatible with the original Sendero injection molded components (sold separately).

Out of the box, the Sendero SE Trail Truck is ready to tackle the elements – your journey begins here!

FEATURES

- Front injection molded inner fenders
- 1.9" bead lock wheels
- 1.9" x 4.75" PinSeeker Tires
- High clearance front and rear bumpers
- 12.8" wheelbase
- 1-piece polycarbonate Sendero SE body
- Adjustable front and rear bumper mounts with integrated winch line routing
- Adjustable width rock sliders
- Additional Features
 - Heavy duty 5mm diameter steel steering links
 - Aluminum steering plates
 - Integrated servo winch mount
 - 90mm shock length
 - Universal front drive axles
 - Stamped steel high clearance frame rails
 - Enclosed receiver box
 - ESC tray for cleaner wiring
 - 12mm wheel hexes
 - Two battery boxes
 - Aluminum motor plate
 - Adjustable body posts
 - Optimized ball cups and links for more fluid axle articulation
- POM-filled injection molded pivot balls
- Adjustable rear shock mount positions for tuning wheelbase and shock angles
- Telescopic driveshafts front and rear
- One-piece rear axle design
- Splined front axle with adjustable caster
- Metal ring and pinion gears
- Machined steel top shaft
- Steel servo horn
- 45° steering throw

SOA & BTA STEERING: Servo-on-axle steering provides better performance while keeping the vehicle's center of gravity low. The behind-the-axle steering provides better approach angles, more clearance, and a cleaner look.

UPDATED AXLES: New axles with larger input bushings (upgradable to bearings) handle higher loads. New diff covers feature the ability to add weights on the inside to maintain a scale look, and faux disk brakes with calipers add even more scale details.

THREADED SHOCK BODIES AND MINI SPRINGS: Just as smooth and reliable as our aluminum shocks, these durable plastic

shocks feature caps with a bleeder screw for easy airless bleeding and mini springs for a more scale appearance and to keep the weight low..

ELECTRONICS:

REEDY POWER CRAWLER MOTOR: The new Reedy Power 5-slot 16-turn brushed crawler motor provides ample torque with a smooth power delivery. This allows for slow precise acceleration while maintaining consistent power over rough terrain and obstacles.








REEDY POWER ELECTRONIC SPEED CONTROLLER (ESC): The water-resistant SC480X brushed ESC is specifically programmed for crawling with proportional forward/reverse, dual auxiliary power output leads, LiPo low-voltage cutoff protections, and T-plug connector.

RADIO & SERVO: The Flysky FS-G4P, 2.4GHz, 4-channel radio and receiver with ANT protocol together with a Reedy Power 1523MG (metal gear) water-resistant servo is the perfect setup for keeping the Enduro SE under control on the trail.

















HARDWARE 1:1 SCALE VIEW

HARDWARE USED WITH OPTIONAL REPLACEMENT PART NUMBERS





FLAT HEAD SCREWS (FHCS)

	2.5x10mm (31350)
	2.5x14mm (41077)
	3x6mm (31541)
	3x8mm (25201)
	3x10mm (25202)
	3x12mm (25203)
	3x14mm (89208)

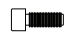







BUTTON HEAD SCREWS (BHCS)

	2x3mm (31509)
	2.6x10mm, Self Tapping (41088)
	3x4mm (91158)
	3x5mm (31530)
	3x6mm (31531)
	3x8mm (31532)
	3x10mm (25211)
	3x12mm (89202)
	3x14mm (25187)
	3x16mm (89203)
	3x18mm (2308)
	3x20mm (25188)
	3x22mm (25189)
	3x24mm (89204)
	3x26mm (89205)
	3x28mm (41078)




LP SOCKET HEAD SCREWS (LP SHCS)

	3x6mm (41089)
	3x10mm (41090)
	3x16mm (41092)
	3x20mm (41091)



SOCKET HEAD SCREWS (SHCS)

	2x5mm (31511)
	2x8mm (7187)
	2.5x6mm (41079)
	2.5x10mm (41087)
	2.5x14mm (71032)
	2.5x16mm (41086)
	2.6x10mm (42332)
	3x6mm (41089)



SET SCREWS

	3x3mm (25225)
	3x16mm (4689)
	4x16mm (4677)

PIVOT BALLS

	Pivot Ball, Short (42041)
	Pivot Ball, Long, Upper Shock (42041)






LOCK NUTS

	M3 Locknuts (25215) Aluminum (31550)
	M4 Locknut W/Flange (25391)

BEARINGS

	4x8x3mm (91568)
	5x10x4mm (91560)
	5x12x4mm (91567)
	7x14x3.5mm (91474)
	10x15x4mm (91563)

SHIMS AND WASHERS

	3x7mm x 1mm (42260)
	3x7mm x 2mm (42260)
	3x7x3mm (42260)
	3x7x5mm (42260)
	3x7x7mm (42260)

	Drive Gear Shim (42027)
---	-------------------------

MISC. SCREWS



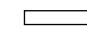
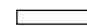
	Shoulder Screw 3x4x10mm (42070)
	Screw Pin (42022)
	Pin 2x9mm (31872)
	Pin 2x11mm (42019)

TABLE OF CONTENTS

8/22/2022

01	COVER	12	DRIVESHAFTS BUILD
02	INTRODUCTION	13	SHOCKS BUILD
03	1:1 HARDWARE "FOLD OUT"	14	BUMPERS BUILD
04	TABLE OF CONTENTS	15	WHEELS/TIRES BUILD
05	Stealth XF BUILD	15	BODY BUILD
06	Chassis BUILD	16	OPTIONAL GEARBOX BUILD
08	FRONT AXLES BUILD	17	TRAIL TIPS
09	REAR AXLES BUILD	18	BACK COVER
10	LINKS BUILD		

USING THIS MANUAL



This symbol indicates a special note or instruction in the manual.

x2

This symbol indicates the number of the same part that is required.



This symbol indicates the order within a step to assemble parts.



This symbol indicates there are optional FT parts available



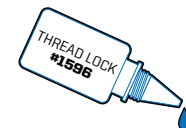
This symbol indicates a Trail Tip.



This symbol indicates where Black Grease should be applied.



This symbol indicates where Green Slime can be applied. *not included



This symbol indicates where Thread Lock Adhesive should be applied. *not included



This symbol indicates where Shock Fluid should be applied.



There is a 1:1 hardware foldout page in the front of the manual. To check the size of a part, line up your hardware with the correct drawing until you find the exact size. Each part in the foldout has a number assigned to it for ordering replacement parts.

GATE 01 STEALTH XF BUILD:

42316 x1 Stealth XF Drive Gear, 52T

42320 x1 Stealth XF

31350 x4 2.5x10mm FHCS

42321 x2 10x15x4mm Bushing

91563 x2 10x15x4mm Bearing

42025 x1 Idler Shaft Pin 2x9mm

42025 x1 Idler Shaft

42316 x1 Stealth XF Idler Gear, 28T

42315 x1 Stealth XF Case

42315 x1 Stealth XF Case

42319 x1 Top Shaft

42321 x2 5x10x4mm Bushing

91560 x2 5x10x4mm Bearing

BLACK GREASE #89589

FACTORY TEAM

GATE 02 STEALTH XF BUILD:

42315 x1 Stealth XF Case

42315 x1 Stealth XF Case

42332 x6 2.6x10mm SHCS, Silver

41078 x2 3x28mm BHCS

89202 x3 3x12mm BHCS

31350 x3 2.5x10mm FHCS

NOTE: Do not overtighten the 3x28mm BHCS

FACTORY TEAM

GATE 03 STEALTH XF BUILD:

42316 x1 Stealth XF Spur Gear, 50T

42318 x2 Stealth XF Slipper Plate

42318 x2 Stealth XF Slipper Pad

25391 x1 FT M4 Locknut

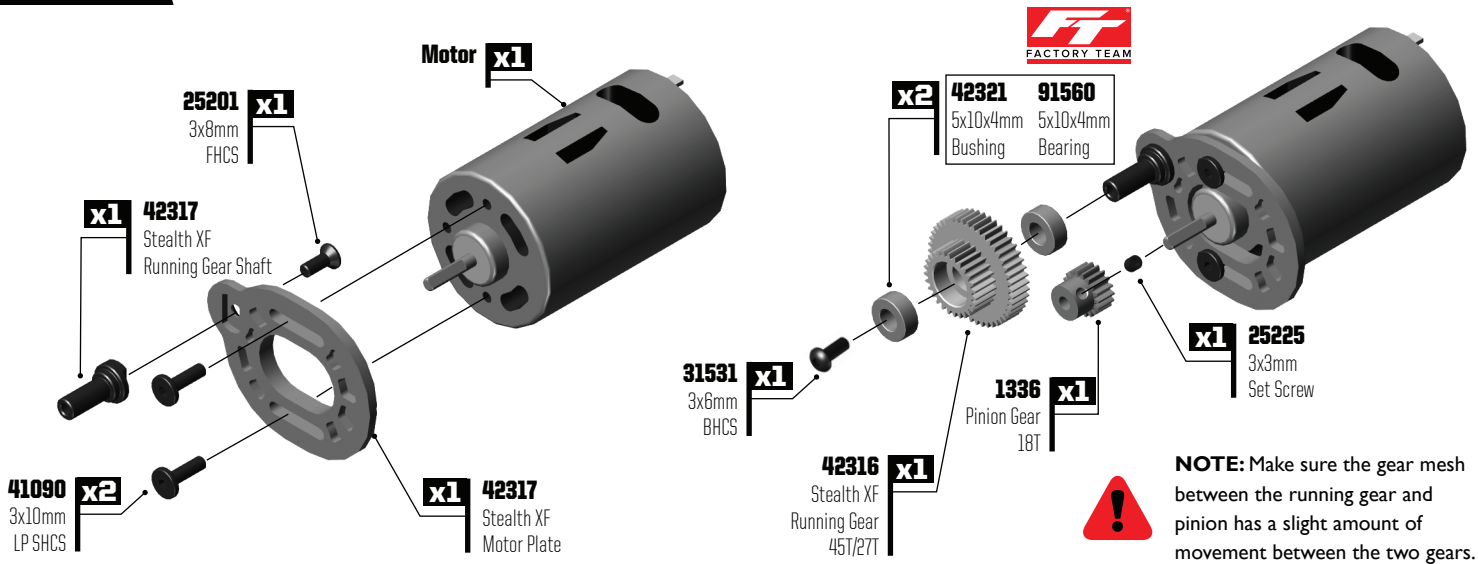
42318 x3 Conical Washer

42315 x1 Stealth XF Case

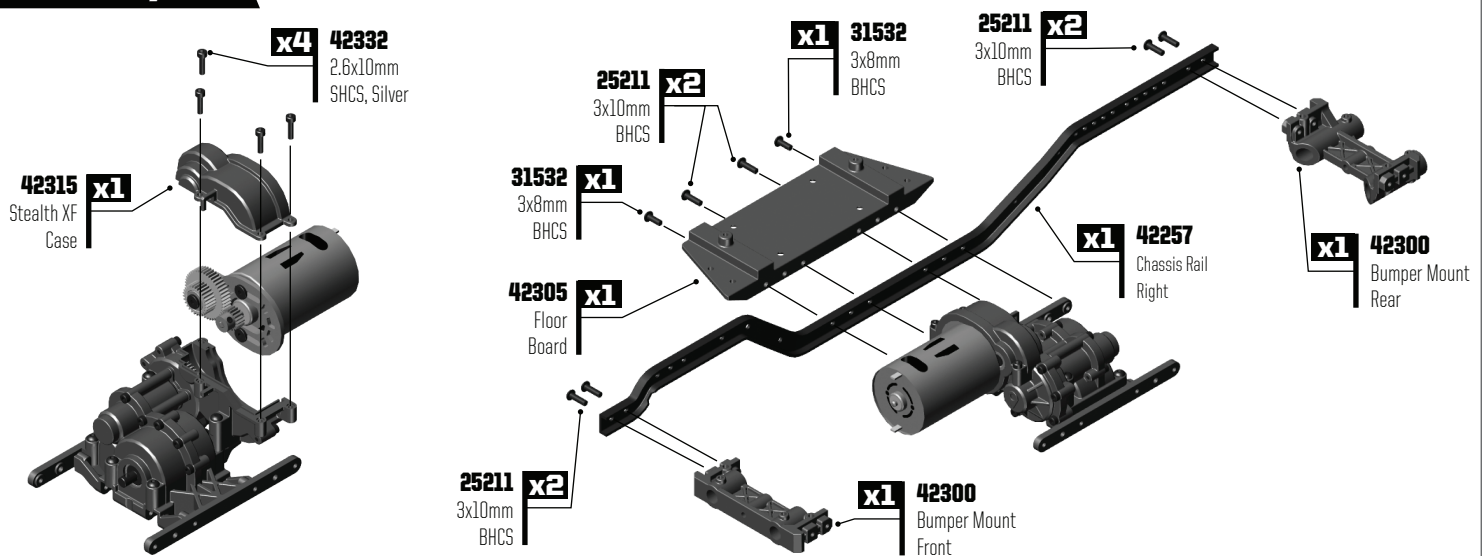
42332 x6 2.6x10mm SHCS, Silver

FACTORY TEAM

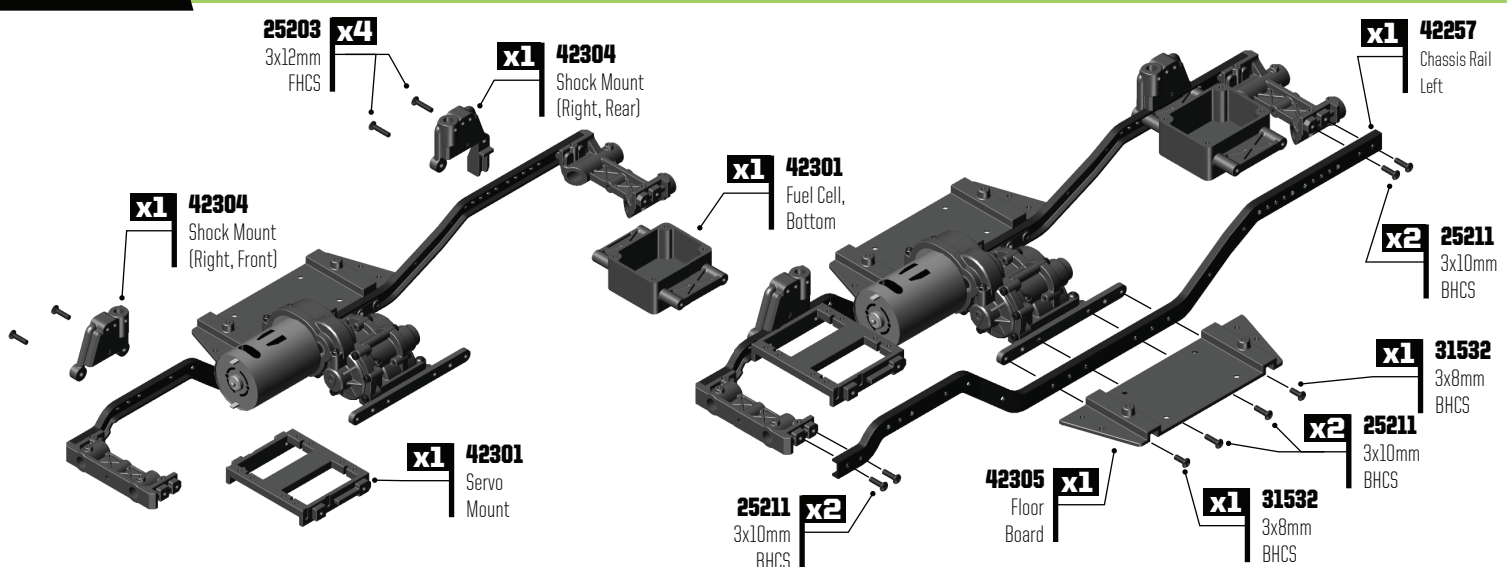
GATE 04 STEALTH XF BUILD:



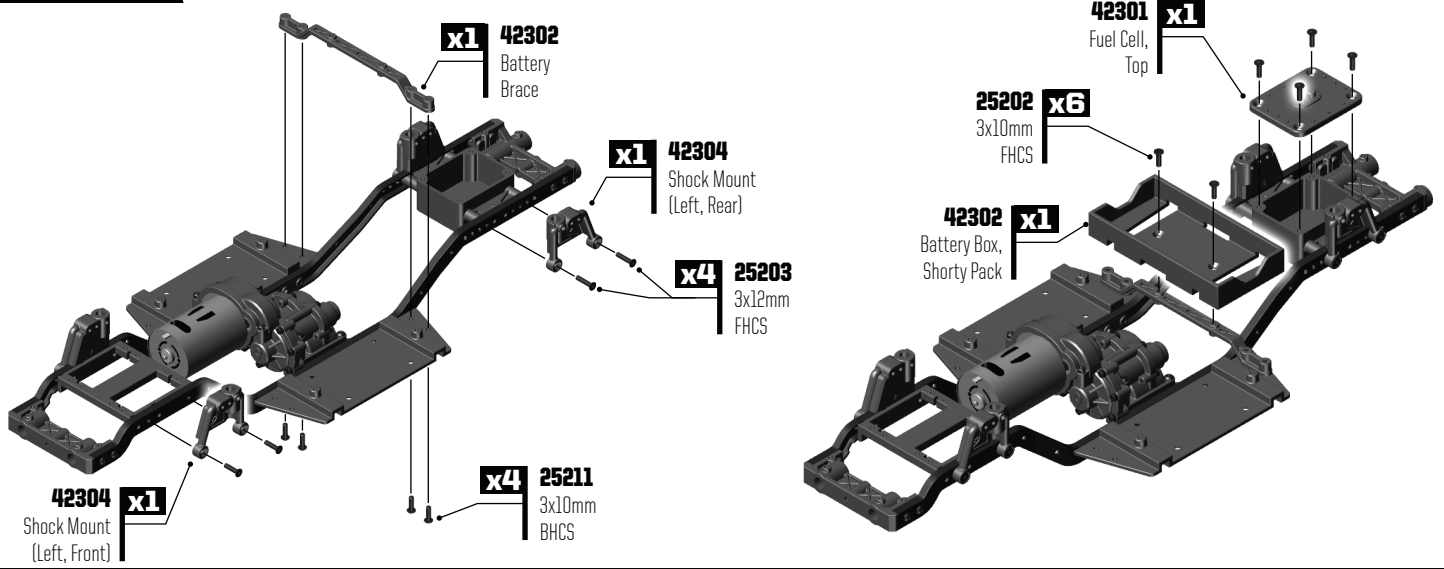
GATE 05 / 01 STEALTH XF BUILD: / CHASSIS BUILD:



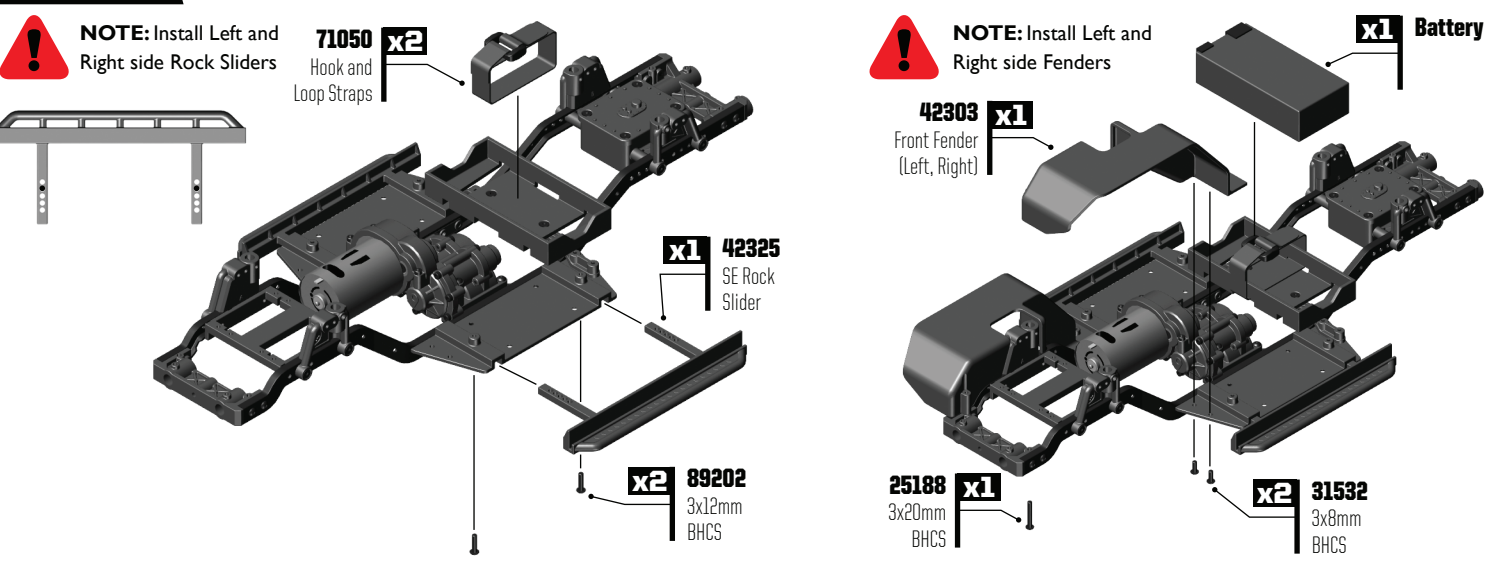
GATE 02 CHASSIS BUILD:



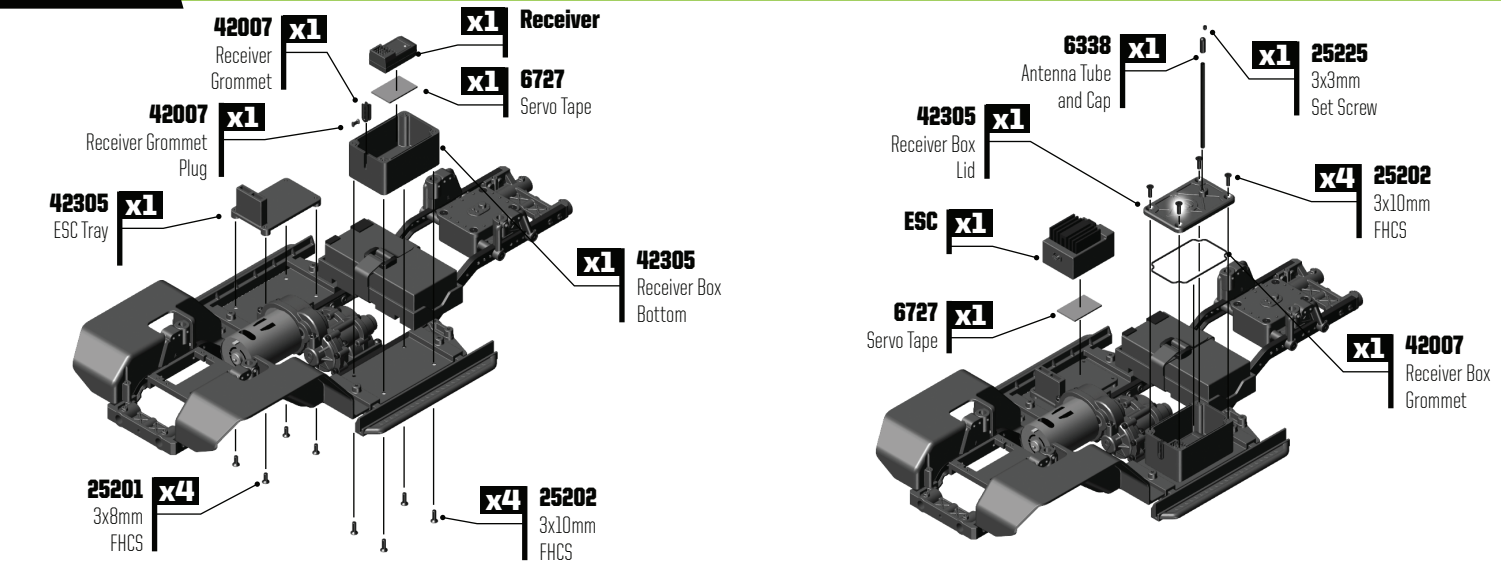
GATE 03 CHASSIS BUILD:



GATE 04 CHASSIS BUILD:



GATE 05 CHASSIS BUILD:



GATE 01 FRONT AXLE BUILD:

42307 x1 Axle Housing, Front

42335 x1 Ring Gear, 30T

42335 x1 Pinion Gear, 8T

91474 x2 7x14x3.5mm Bearing

42321 x2 5x12x4mm Bushing

91567 x2 5x12x4mm Bearing

42321 x2 5x10x4mm Bushing

91560 x2 5x10x4mm Bearing

41086 x4 2.5x16mm SHCS

42308 x1 Axle Housing Diff Cover

4673 x2 2.5x4mm BHCS

42309 x1 Caster Block, Left

42322 x1 O-Ring

NOTE: Align the two arrows when installing the caster block!

NOTE: Install Left and right side caster blocks and bearings

FACTORY TEAM

GATE 02 FRONT AXLE BUILD:

42309 x2 Steering Block Hat Bushing

25187 x1 3x14mm BHCS

42067 x1 Universal

42321 x1 10x15x4mm Bushing

91563 x1 10x15x4mm Bearing

42321 x1 5x10x4mm Bushing

91560 x1 5x10x4mm Bearing

42309 x1 Steering Block

42310 x1 Brake Rotor

4675 x2 2.5x6mm FHCS

NOTE: Tighten the caster block clamp until the screw is flush with the end!

NOTE: Install left and right side steering blocks and universals

FACTORY TEAM

GATE 03 FRONT AXLE BUILD:

71032 x2 2.5x14mm SHCS

42308 x1 Lower 4-Link Mount

42019 x1 Wheel Hex Pin, 2x11mm

31532 x4 3x8mm BHCS

42310 x1 Wheel Hex, 6mm

42076 x1 FT Enduro Wheel Hexes, 6mm, steel

25211 x4 3x10mm BHCS

42330 x1 Steering Block Arm, BTA, Right

42301 x1 Servo Mount

42330 x1 Steering Block Arm, BTA, Left

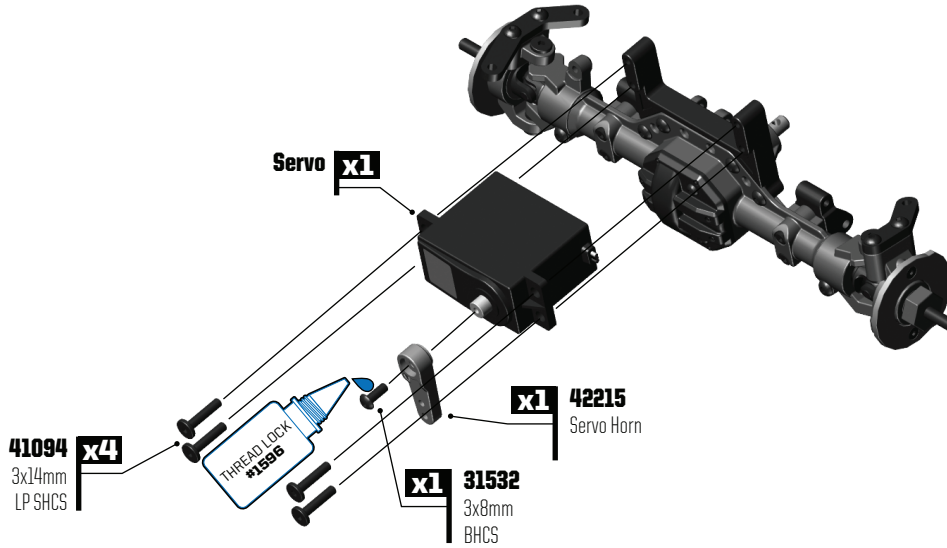
41090 x2 3x10mm LP SHCS

NOTE: Install left and right side wheel hexes

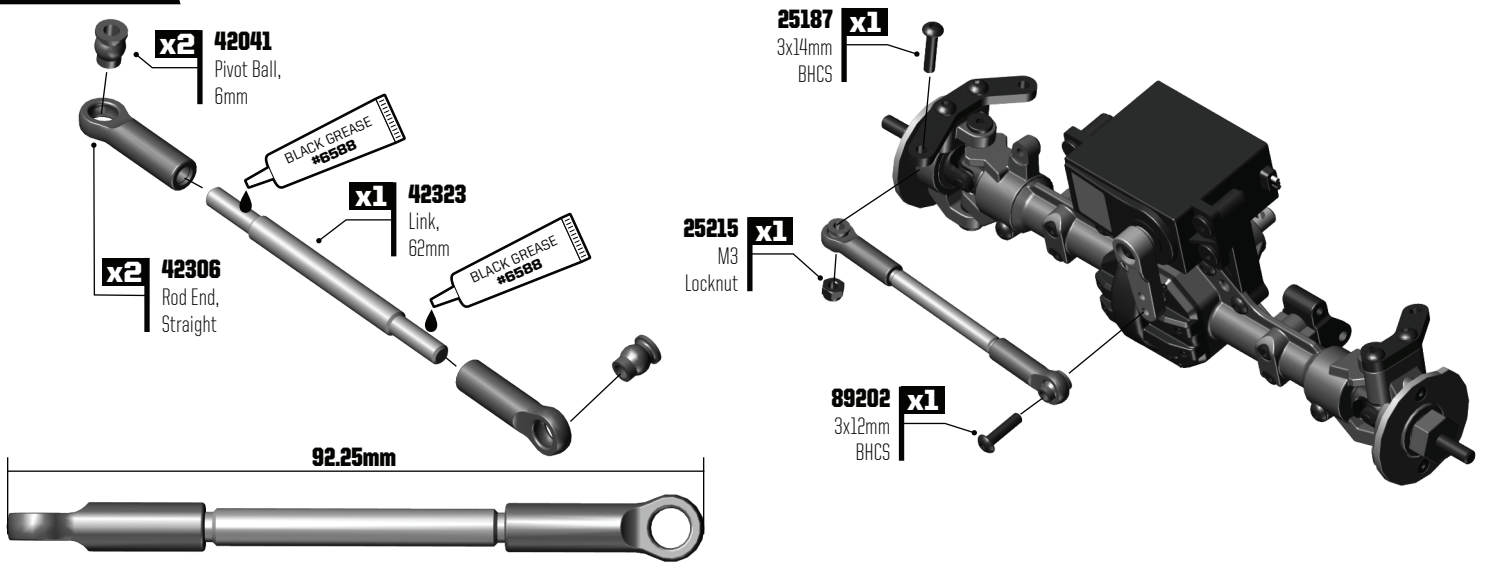
NOTE: Install left and right side axle mounts and shoulder screws

FACTORY TEAM

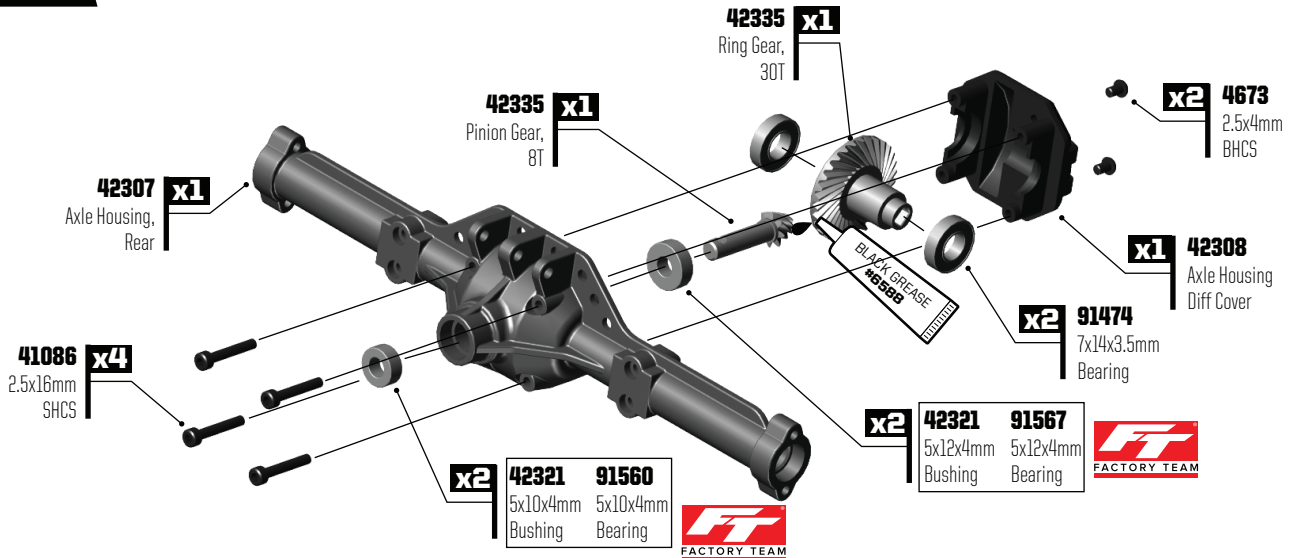
GATE 04 FRONT AXLE BUILD:



GATE 05 FRONT AXLE BUILD:



GATE 01 REAR AXLE BUILD:



GATE 02 REAR AXLE BUILD:

NOTE: Install left and right side drive shafts

NOTE: Install left and right side axle mounts and wheel hexes

- 42068** x1 Drive Shaft, Rear
- 91560** x1 5x10x4mm Bearing
- 42321** x1 5x10x4mm Bushing
- 42310** x1 Brake Rotor
- 25201** x2 3x8mm FHCS
- 71032** x2 2.5x14mm SHCS
- 42308** x1 Lower 4-Link Mount
- 42076** x1 FT Enduro Wheel Hexes, 6 mm, steel
- 42310** x1 Wheel Hex, 6mm
- 42019** x1 Pin, 2x11mm

FACTORY TEAM

GATE 01 LINKS BUILD:

NOTE: Check the rod end angles before installation

- 42041** x2 Pivot Ball, 6mm
- 42306** x1 Link, 121.30mm
- 41078** x1 3x28mm, BHCS
- 25188** x1 3x20mm BHCS
- 25215** x2 M3 Locknut, Black

121.30mm

GATE 02 LINKS BUILD:

BLACK GREASE #6588

- 42323** x1 Link
- 42306** x2 Rod End, Straight
- 42041** x2 Pivot Ball, 6mm
- 25187** x2 3x14mm, BHCS
- 25215** x2 M3 Locknut, Black

154.50mm

GATE 03 LINKS BUILD:

NOTE: Build and install two rear upper links

NOTE: Check the rod end angles before installation

- x2** 42041 Pivot Ball, 6mm
- x1** 42306 Link, 146mm
- x1** 25188 3x20mm, BHCS
- x1** 41078 3x28mm BHCS
- x2** 25215 M3 Locknut, Black

146.00mm

GATE 04 LINKS BUILD:

NOTE: Build and install two front lower links

NOTE: Check the rod end angles before installation

- x2** 42041 Pivot Ball, 6mm
- x1** 42306 Link, 128.25mm
- x1** 2308 3x18mm, BHCS
- x1** 4689 3x16mm Set Screw
- x1** 25215 M3 Locknut, Black

128.25mm

GATE 05 LINKS BUILD:

NOTE: Check the rod end angles before installation

NOTE: Build and install two rear lower links

- x1** 42306 Link, 152mm
- x2** 42041 Pivot Ball, 6mm
- x1** 4689 3x16mm Set Screw

152.00mm

GATE 01 DRIVE SHAFT BUILD:

Parts List:

- x2 42021 Pin, 2x11mm
- x1 42314 Drive Shaft, Female (33mm, 42mm)
- x2 31532 3x8mm BHCS
- 42021 Drive Shaft, Male, CVA
- x2 42021 Drive Shaft Barrel
- x2 42021 Drive Shaft, Female, CVA
- x1 42314 Pin Retainer, Short
- x1 42314 Drive Shaft, Male (46mm, 60mm)
- x1 42020 Gearbox Side
- x1 42020 Axle Side
- x1 42020 Pin Retainer, Long

Drive Shaft Lengths

	Front (mm)	Rear (mm)
Female 1	33	33
Female 2	33	42
Male	46	60

NOTE: Build a front and rear drive shaft

GATE 02 DRIVESHAFT BUILD:

NOTE: Install the front drive shaft

NOTE: Install the rear drive shaft

GATE 03 DRIVESHAFT BUILD:

NOTE: Make sure the screw pins are aligned with each female CVA during assembly

NOTE: Make sure the phasing of the drive shafts is correct when installing them to the axles and gearbox.

Correct Phasing

Incorrect Phasing

FRONT 33 46 33

REAR 42 60 33

42022 x4 Screw Pin

THREAD LOCK #1596

GATE 01 SHOCK BUILD:

Parts List:

- x1 42311 Shock Piston
- x2 2661 E-Clip
- x1 42083 Shock Shaft, 3x30mm
- x1 31865 O-Ring, Small, Shock Cap
- x1 42312 Shock Body, 10x32mm
- x2 5407 O-Ring, Red
- x1 42311 Shock O-Ring Spacer
- x1 42311 Shock Bottom Cap
- x1 42306 Enduro Rod Ends

Pro Tip: Use #1105 Green Slime on O-Rings

NOTE: Build 4 complete shocks

GATE 02 SHOCK BUILD:

Shock Bleeding Steps:

1. Pull shock shaft down.
2. Fill shock body 3/4 full with silicone fluid.
3. Slowly move the shock shaft up and down to remove air from under piston.
4. Wait for bubbles to come to surface.
5. Fill shock body to top with silicone fluid.
6. Place a drop of oil in the cap and on cap threads.
7. Install cap and tighten completely.
8. Slowly compress shaft all the way to the top. If there is pressure at the top of the stroke, there is too much oil or air. You must bleed it out.
9. Slowly pull shaft out.
10. Unscrew the cap 3/4 turn and tilt the shock at a slight angle.
11. Slowly compress the shaft to push out excess oil and air. You should see bubbles coming out from under the cap.
12. With the shaft compressed, tighten the cap and re-check for pressure at the top of the stroke. If there is still pressure, repeat steps 9 thru 11.

Parts List:

- x1 42311 Shock Cap, Enduro
- x1 31510 2x5mm BHCS

NOTE: Build 4 complete shocks

GATE 03 SHOCK BUILD:

Parts List:

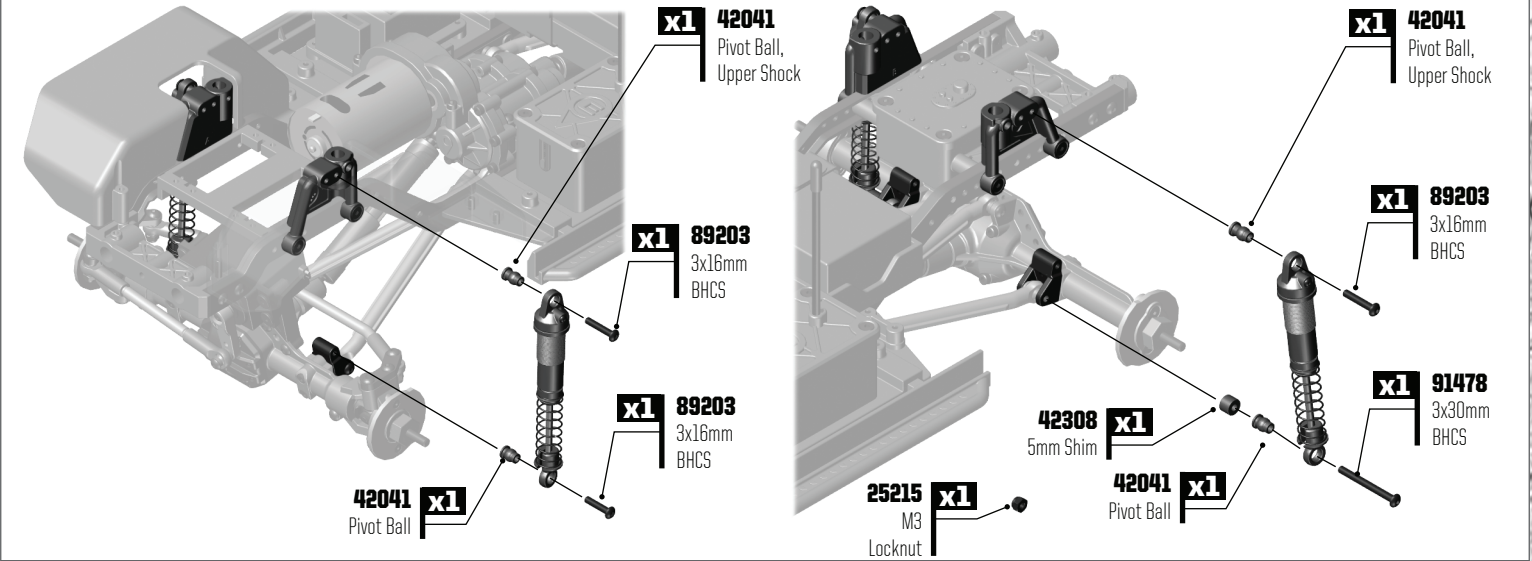
- x1 42313 Shock Spring
- x1 42311 Shock Spring Cup

Springs

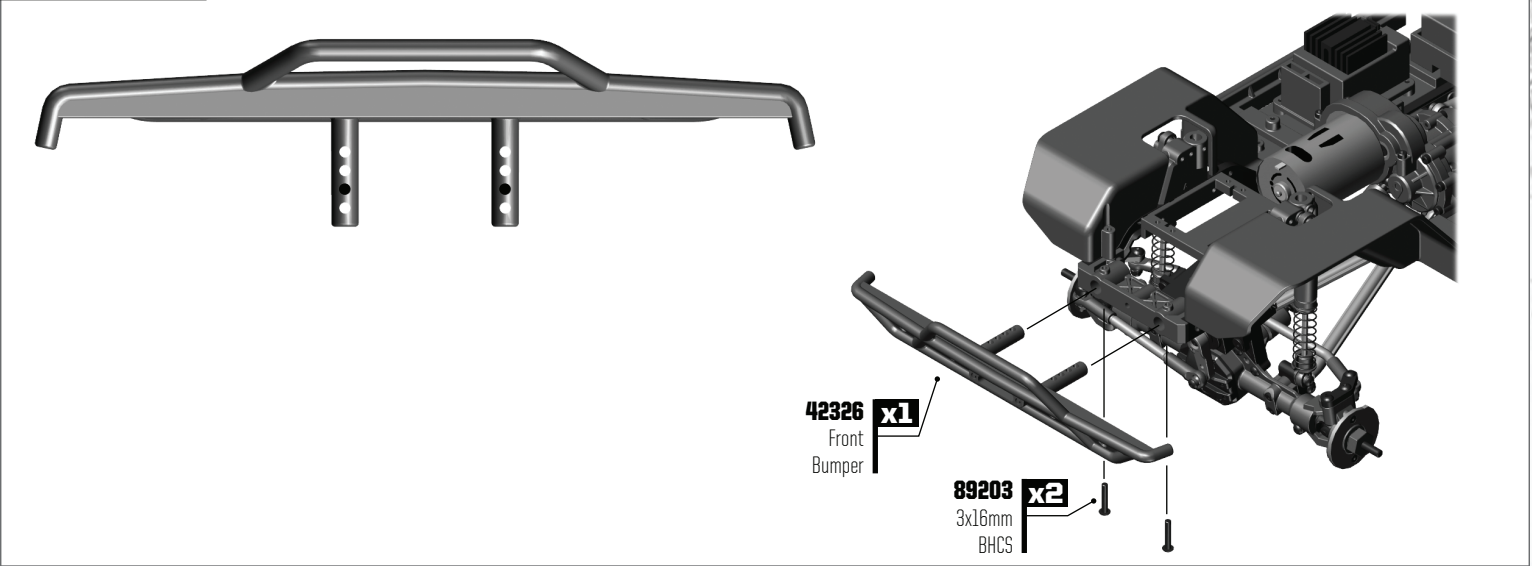
Soft	Green	
	White	Front
	Gray	Rear
Hard	Blue	

NOTE: Build 4 complete shocks

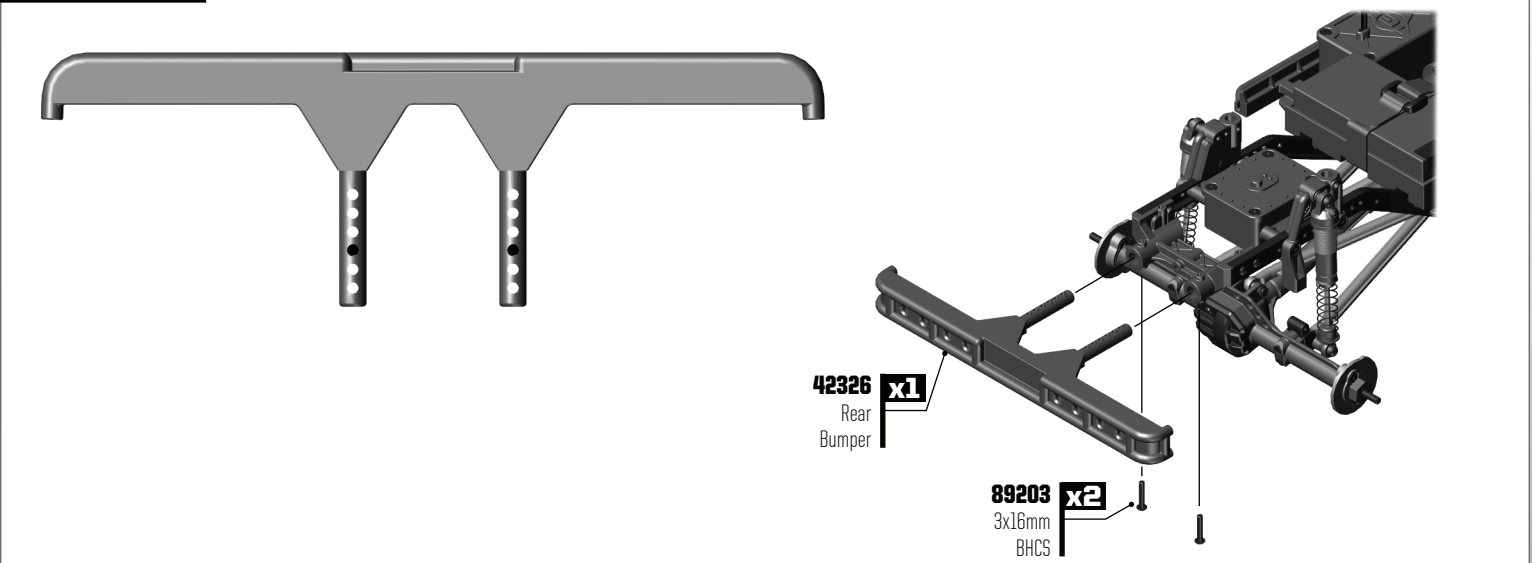
GATE 04 SHOCK BUILD:



GATE 01 BUMPER BUILD:



GATE 02 BUMPER BUILD



GATE 01 WHEEL/TIRE BUILD

x1 42328 Inner Wheel, Black

x1 42329 Tire

x1 42329 Tire, Insert

x1 42328 Ring, Black

x1 42328 Outer Wheel, Black

x1 42328 Hex Adapter, Black

***Optional Hex Adapters**
 42103 Aluminum
 42104 Brass

NOTE: Install #41088 screws in a crossing pattern

x6 42332 2.6x10mm SHCS, Silver

NOTE: Build 4 wheels/tires

GATE 02 WHEEL/TIRE BUILD

x2 25391 FT M4 Locknut, Blue

x2 42328 Nut Cap, Black

NOTE: Install 4 wheels/tires

GATE 01 BODY BUILD:

NOTE: Install 4 body mounts

x2 42009 Body Mount, Short Pin

Front Post **Rear Post**

x2 42022 Screw Pin

Bodies
 42331 Clear
 42327 RTR - Painted

6332 x4 Body Clips

42327 x4 Body

GATE 01 STEALTH XF: BUILD CONFIGURATION:



OVERDRIVE:

Overdrive is a scenario where the front and rear wheels do not rotate at the same speed. The Stealth XF gearbox is designed to allow the front wheels to spin faster than the rear wheels. Overdrive is advantageous when climbing up rock faces because the front tires will want to pull the vehicle up the rock. On desents, the rear tires rotating slower than the front tires will help keep the chassis more stable and keep the rear tires planted on the ground.

Stealth XF:

The Stealth XF gearbox comes factory assembled with no overdrive (1:1). With additional parts, the Stealth XF gearbox allows the driver to change the front to rear drive ratios with 3 separate ratio adjustments to the rear drive shaft.

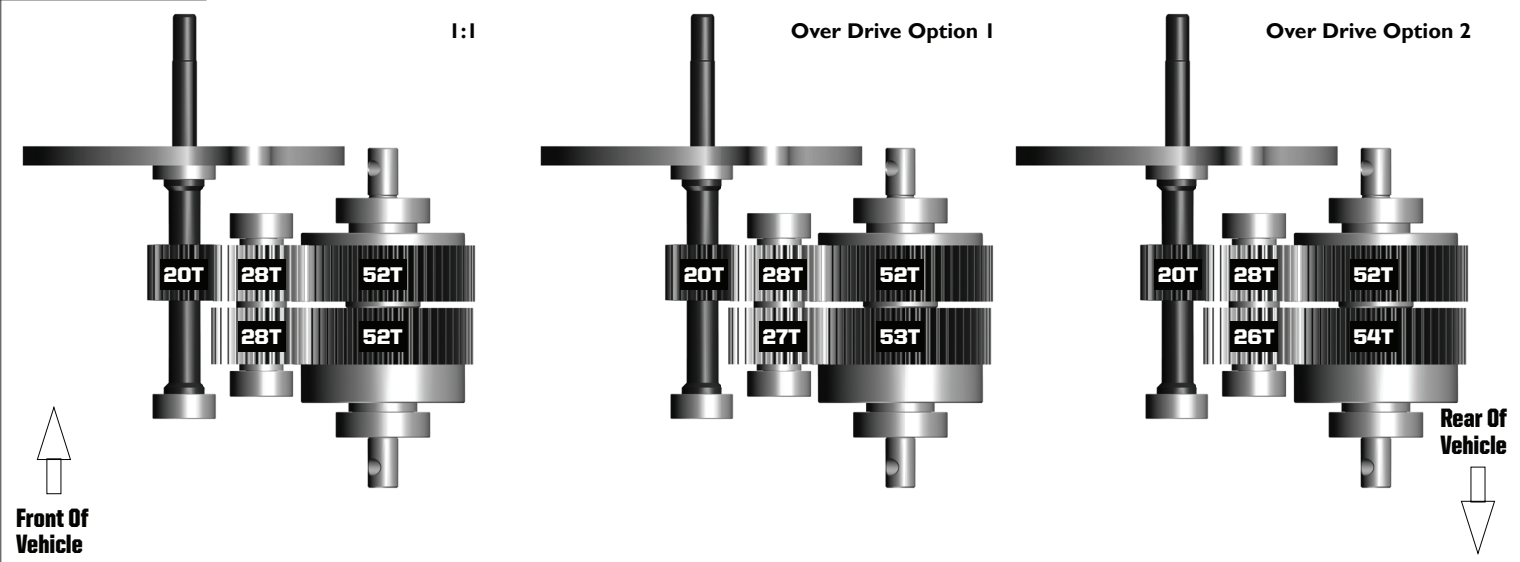
Items Needed for OVERDRIVE:

#42025, #42027, #91563, #42026 -OR- #42031, #42028 -OR- #42032

Please Note:

The 20T top shaft, 28T idler gear, and 52T drive gear will always be meshed together in all 3 gearbox configurations.

GATE 02 STEALTH X: BUILD CONFIGURATION: MOTOR MOUNT FACING REAR (STOCK)



GATE 03 LINKS: WHEELBASE CHART - PARTS NEEDED

WHEELBASE CHART

WB	FRONT UPPER	FRONT LOWER	REAR UPPER	REAR LOWER
11.8"	93mm #42184	100mm #42185 #42186	93mm #42184	100mm #42185 #42186
12.0"	93mm #42184	100mm #42185 #42186	100mm #42185	108mm #42187 #42188
12.3"	93mm #42184	100mm #42185 #42186	108mm #42187	114mm #42189 #42190
12.8"	93mm #42184	100mm #42185 #42186	121mm #42191	127mm #42192 #42193



Items Needed for Links:

#42040 - Rod Ends

Panhard Links [CMS]: Servo on Axle Links

Panhard - #42183

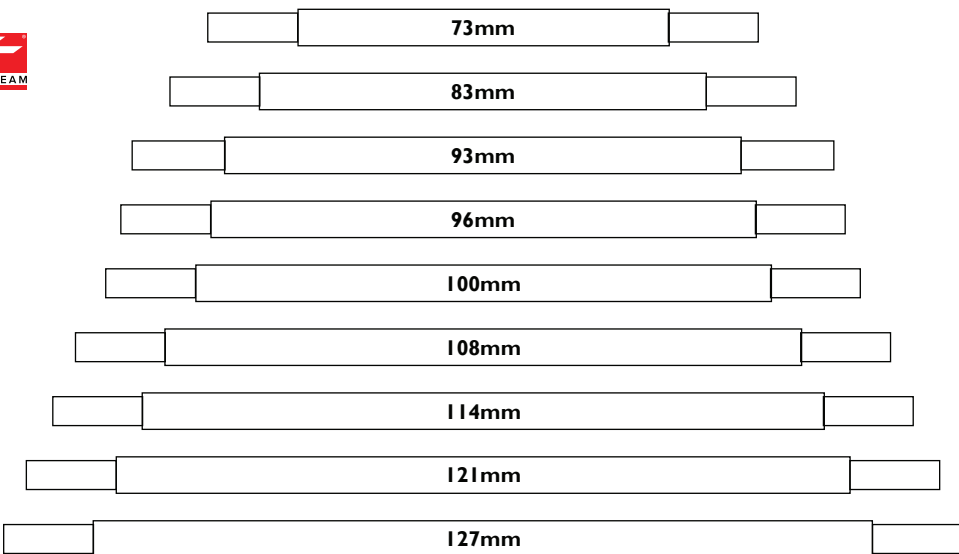
[SOA]:

Steering Input - #42182

Links - #42323

Steering Link - #42180

Steering Link - #42180



TRAIL TIPS AND CHECKLIST

PREPARING TO HIT THE TRAIL:

When preparing to hit the trail, it's a good idea to have a checklist to make sure you have everything and don't end up having to head back early. We've compiled a checklist of the things we think you'll need on the trail. We've also left some space for you to add your specific items to the list. Keep in mind these are suggestions and every person will require different items. Weather and altitude will also dictate how much food and water a person will require. Do a little research first before heading out for a full day on the trail.

- Truck with Charged Battery
- 1-2 spare Charged Batteries for your rig
- Radio with Charged Batteries
- Spare radio batteries
- Check all nuts and screws and tighten them. Including Wheel nuts!
- Spare parts (Nuts, Screws, Body Clips, and anything that may wear or break)
- Backpack
- Water (2 liters per person minimum)
- Snacks (protein bars, trailmix, etc.)
- Sturdy shoes (Hiking boots preferably or something with grip and ankle support)
- Element Hat or Beanie
- Element Hoodie or Jacket
- Sunscreen
- Bug Spray
- Lip Balm
- Nut Drivers (Factory Team Nut Drivers #1507, 1508)
- Allen wrenches (Factory Team Hex Driver set #1655)
- Cell phone and charger
- Headlight or flashlight with spare batteries
- Compact action camera
- Camera
- Tripod
- _____
- _____
- _____
- _____
- _____
- _____

TREAD LIGHTLY:

Remember, when driving your rig out on the trails, it's important to tread lightly. We all know that the best place to enjoy our hobby is out in nature, and that means we need to preserve it for future hobbyist so we all have a place to enjoy. Here are a few tips to remember when out on the trail.

• Pack In/Pack Out:

Don't leave anything behind. Whether it's trash, parts, or food. If you brought it, take it with you.

• National and Public Parks:

If visiting a national park, leave the RC cars at home. It is illegal to drive any radio control vehicle within national park boundaries. Public parks are slightly different, some may allow radio control cars and others may not. Check with your local officials before driving in a public park.

• Be Considerate:

Where ever you drive your radio control car, always be considerate of others. Hikers, bicyclists, and animals should always be given the right of way.

• Keep It Quiet:

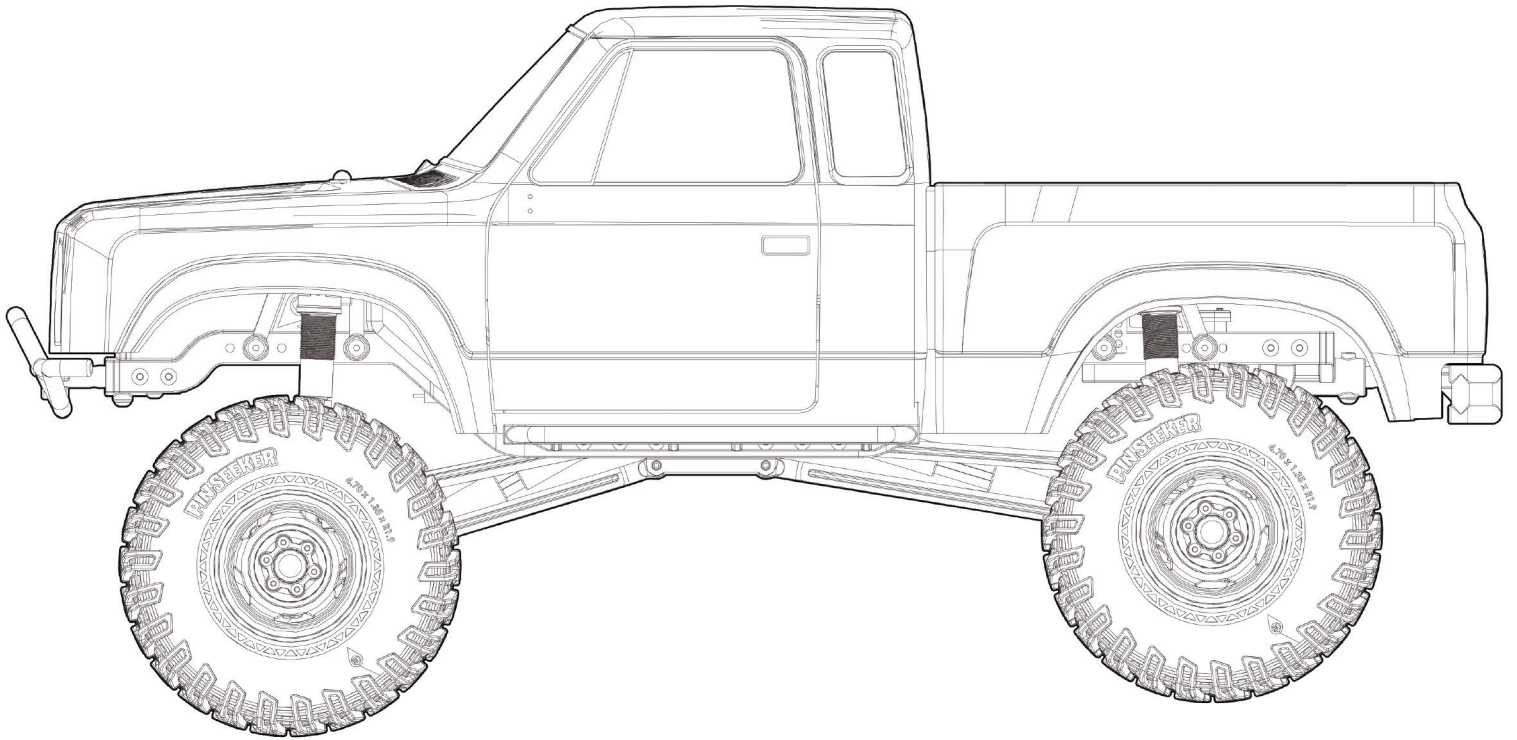
If you're sharing an area with other people, try to keep the noise to a minimum. If you come across animals or anglers, please be considerate and give them space.

• Give A Hoot, Don't Pollute:

When enjoying the outdoors take your trash with you. Not only is it bad for the environment, it's unsightly. If you see trash, pick it up, even if it isn't yours. If we all do our part we can work together to keep our planet beautiful for future generations.

• Only You Can Prevent Wild Fires:

Some of us like to mix camping with RC cars. This is great! Just remember to follow all safety precautions and put out any camp fires before calling it a night. Also, be sure to unplug and **store all LiPo batteries in LiPo sacks and a fire resistant storage device.**



ASSOCIATED ELECTRICS, INC.
21062 BAKE PARKWAY, LAKE FOREST, CA 92630 USA

CALL: (949) 544-7500 - FAX: (949) 544-7501
CHECK OUT THE FOLLOWING WEB SITES FOR ALL OF OUR KITS,
CURRENT PRODUCTS, NEW RELEASES, SETUP HELP, TIPS, AND RACING INFO!
WWW.ASSOCIATEDELECTRICS.COM



ElementRC



@Element_RC