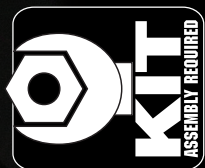


B443 FACTORY Team

#9063 RC10B44.3 Factory Team Kit



1:10 Scale Electric 4WD Off Road Competition Buggy Kit Manual & Catalog



Designed in California, USA

:: Introduction

Thank you for purchasing this Team Associated product. This assembly manual contains instructions and tips for building and maintaining your new RC10 B44.3. Please take a moment to read through this manual to help familiarize yourself with these steps.

We are continually changing and improving our designs; therefore, actual parts may appear slightly different than in the illustrations. New parts will be noted on supplementary sheets located in the appropriate parts bags. Check each bag for these sheets before you start to build.

:: KIT Features

The RC10B44 has created a winning legacy with three I.F.M.A.R. World Championships, four R.O.A.R. National titles, and countless regional wins to its credit! Since winning the 2013 I.F.M.A.R. World Championships, the designers behind the doors of Area 51 set out to further improve the B44 and take it to an even higher level of performance.

Enter the RC10B44.3 Factory Team Kit, the latest evolution of Team Associated's 1:10 4WD electric off road competition buggy. The most significant changes are found on the new hard-anodized aluminum chassis, which helps lower the center of gravity to improve handling and durability. The chassis has been designed to have symmetrical torsional flex to improve handling consistency — the new floating motor mount, floating servo mount, and chassis machining help to provide the desired flex symmetry.

Power and traction have continued to improve, so the B44.3's drivetrain has been built up and refined to keep up with the demand of today's high-traction off-road tracks. A set of four precision CVA's transfer the power from the gear differentials via ball bearings throughout the car.

Now the B44.3 is even more adaptable to multiple racing conditions with the adjustable weight bias feature. Weight bias can be significantly altered by using either the front motor configuration with a saddle pack or the rear motor configuration with a shorty pack. The B44.3 is also backwards compatible with the previous generation VTS slipper clutch (not included) and ball differentials (not included), making the B44.3 extremely versatile and adaptable to any track condition.

Factory Team V2 12mm big bore shocks have improved smoothness, improving suspension travel and increasing overall traction. Lastly, the B44.3 comes with the latest JConcepts Finnisher X-Flow body and AE 6.5" high downforce wing.

The RC10B44.3 has been given all of the design advantages that only a winning pedigree like Team Associated can provide. If you are ready to take your 1:10 4WD off-road program up to the next level, the B44.3 is ready to take you there!

Features in the B44.3 Factory Team:

- Hard anodized aluminum chassis and 7075-T6 floating motor mount allows for front or rear motor configurations
- New molded battery trays accommodate 2S saddle or shorty battery pack configurations and feature a quick-change strap with locking thumb knobs
- New front and rear carbon-fiber top decks and floating servo mount improves symmetrical chassis flex
- Front and rear gear differentials have machined steel ring, pinion, and planetary gears
- Center gear differential has independent fluid cap for quick and easy fluid or gear changes
- JConcepts Finnisher X-flow body
- Factory Team 0° 7075-T6 aluminum rear hubs with oversize outer bearing
- Factory Team V2 12mm "Big Bore" threaded aluminum shocks with 3mm shock shafts, molded caps with bleed screws, and updated O-rings for improved smoothness
- Full CVAs and ball bearing drivetrain
- Factory Team 12mm blue aluminum rear clamping hexes and 12mm hex rear wheels
- Factory Team blue titanium turnbuckles, aluminum servo mounts, aluminum shock pivot balls and rear anti-roll bar included

:: Other Helpful Items

- Silicone Shock Fluid (Refer to catalog for complete listings)
- Body Scissors (AE Part # 1737)
- FT Hex Wrenches (AE Part # 1655)
- Soldering Iron
- Reamer / Hole Punch
- Needle Nose Pliers
- Calipers or a Precision Ruler
- Silicone Diff Fluid (Refer to catalog for complete listings)
- Wire Cutters
- Thread Lock (AE Part #1596)
- Hobby Knife
- Green Slime shock lube (AE Part # 1105)

Associated Electrics, Inc.
26021 Commercentre Dr.
Lake Forest, CA 92630



Customer Service
Tel: 949.544.7500
Fax: 949.544.7501

:: Hardware - 1:1 Scale View

Cap Head (shcs)

	4-40x5/16 (6932) (aluminum ,4145)
	4-40x3/8 (6924) (aluminum ,6860)
	4-40x7/16 (7874) (aluminum, 7873)
	4-40x1/2 (6925)
	4-40x7/8 (7738)
	3x6mm (6515) (motor mounting screws)

Flat Head (fhcs)

	2.5x10mm (31350)
	4-40x5/16 (7673)
	4-40x3/8 (6292)
	4-40x7/16 (9765)
	4-40x5/8 (6915)

Button Head (bhcs)

	2.5x10mm (31522)
	3x6mm (31531)
	2-56x1/8 (9645)
	2-56x5/16 (4334)
	4-40x1/4 (6288)
	4-40x3/8 (6917)
	4-40x7/16 (2221)
	4-40x3/4 (7413)

Ball Bearings

	Steering Bearing (9746)
	3/16x5/16 (6906)
	3/16x3/8 (3977)
	3/16x1/2 RS (7935) (for optional slipper assembly)
	3/8x5/8 RS (3976)

Nuts (lock/plain)

	4-40 Aluminum Locknut (4449)
	4-40 Plastic Nut (6472)
	5-40 Nylon Locknut (6222)
	8-32 LP Steel Locknut (6953)
	8-32 Steel Locknut (6952)

Shims and Washers

	.030 Ballstud Washer (9630)
	.030 Nylon Spacer (4187)
	Servo Mount Washer (7337)
#4 Washer"/>	#4 Washer (6936)
	Diff Shims (9957)
	3/16 Axle Shim - Silver (7368)
	HD Outdrive Shim (1733)

Top Hat Bushings

	Small Top Hat Bushing (3874)
	Large Top Hat Bushing (9647)

Clips

	E-clip 1/8 (6299)
--	--------------------------

Ballstuds

	Silver .20 Short (6276)
	Silver .30 Long (6277)
	Black .30 Short (3983)

Notes:

:: Table of Contents

1.....Cover	15 - 16.....Front Suspension Build (Bag K)
2.....Introduction	16 - 18.....Rear Suspension Build (Bag L-LL)
3.....1:1 Hardware "Fold Out"	18 - 19.....Shock Build/Install (Bag M-MM)
4.....Table of Contents	20.....Battery Cradle/Strap Build (Bag N-NN)
5 - 6.....Front/Center/Rear Differential Build (Bag A-AA)	21.....Servo Build (Bag O-OO)
7 - 8.....CVA Build (Bag B-BB)	22.....Servo Chart
8.....Front/Rear Gearbox Build (Bag C)	22.....Electronics Install
9 - 10.....Steering and Center Battery Brace Build/Install (Bag D)	23 - 24.....Body, Wheel, Tires Install (Bag P)
10 - 11.....Front End Build (Bag E)	24.....Notes
11.....Rear End Build (Bag F)	25 - 26.....Tuning Tips
12 - 13.....Center Bulhead Mounts Install (Bag G-GG)	27 - 35.....Catalog
13.....Front Top Deck Build (Bag H)	36.....Setup Sheet "Kit Setup"
14.....Rear Top Deck Build (Bag I)	37.....Setup Sheet "Blank"
15.....Turnbuckles Build (Bag J)	38.....Back Cover

:: Notes

This symbol indicates a special note or instruction in the manual.



This symbol indicates a Racers Tip.

There is a 1:1 hardware foldout page in the front of the manual. To check the size of a part, line up your hardware with the correct drawing until you find the exact size. Each part in the foldout has a number assigned to it for ordering replacement parts.

**Associated Electrics, Inc.
26021 Commercentre Dr.
Lake Forest, CA 92630**



**Customer Service
Tel: 949.544.7500
Fax: 949.544.7501**

<http://www.TeamAssociated.com> • <http://www.RC10.com> • http://twitter.com/Team_Associated • <http://bit.ly/AEonFacebook>

:: Front and Rear Gear Differential Build - Bag A-AA - Step 1

#6588 black grease

9957 Σ Shim (0.17mm)

9937 O-ring (3.6 x 0.7)

9937 B44.3 gear diff outrives

9937 O-ring (4.7 x 1.42)

9957 Σ Shim (0.17mm)

9934 B44.3 ring gear

9935 B44.3 diff case (front/rear)

9957 Σ Shim (0.17mm)

Build x2

:: Front and Rear Gear Differential Build - Bag A-AA - Step 2

9937 Pin, 2x9mm

9937 Pin, 2x9mm

91463 Gear diff sun gear

91463 Gear diff sun gear

5k diff fluid #5453

NOTE: Use full depth slot to slide pin in!

Add diff fluid before installing sun gear. Fill diff half way full.

:: Front and Rear Gear Differential Build - Bag A-AA - Step 3

91463 Gear diff gears, shims, and pins

5k diff fluid #5453

31350 x4 2.5x10mm fhcs

9935 B44.3 diff gasket

6903 Σ 3/8 x 5/8, bearing

1733 Σ Heavy Duty Shim

NOTE: Use one drop of diff fluid to hold gasket in place.

Tighten the screws evenly in a crossing order!

Check for smooth diff action, adjust shimming as needed.

- Moving shims #9957 from inside to outside will loosen the diff.
- Moving shims #9957 from outside to inside will tighten the diff.
- NOTE: not all shims may be needed to get the desired feel.

:: Center Gear Differential Build - Bag A-AA - Step 1

#6588 black grease

9937 O-ring (4.7 x 1.42)

9957 Shim (0.17mm)

9937 B44.3 gear diff outrives

9936 B44.3 center diff case

9957 Shim (0.17mm)

Build x2

:: Center Gear Differential Build - Bag A-AA - Step 2

9937 Pin, 2x9mm

9937 Pin, 2x9mm

91463 Gear diff sun gear

60k diff fluid #545B

91463 Gear diff sun gear

60k diff fluid #545B

Add diff fluid before installing sun gear. Fill to flat section.

Add diff fluid before installing sun gear. Fill diff half way full.

:: Center Gear Differential Build - Bag A-AA - Step 3

91463 Gear diff gears, shims, and pins

31522 x4 2.5x10mm bhcs

6919 x4 4-40x5/16 bhcs

9936 B44.3 diff gasket

9938 B44.3 81T spur, gear diff

Tighten the screws evenly in a crossing order!

NOTE: Use one drop of diff fluid to hold gasket in place.

Check for smooth diff action, adjust shimming as needed.

- Moving shims #9957 from inside to outside will loosen the diff.
- Moving shims #9957 from outside to inside will tighten the diff.
- NOTE: not all shims may be needed to get the desired feel.

:: CVA Build - Bag B-BB - Step 1

Front and Front Center CVA Bone:
 9747 $\Sigma 3$ CVA bone
 81.4mm

Rear Center CVA Bone:
 9596 $\Sigma 1$ CVA bone
 92.2mm

Rear CVA Bone:
 9754 $\Sigma 2$ CVA bone
 68.7mm

9748 $\Sigma 2$ CVA axle (front)

9755 $\Sigma 2$ CVA axle (rear)

9942 $\Sigma 2$ B44.3 input shaft (gear diff)

:: CVA Build - Bag B-BB - Step 2

Front and Rear CVA Build:

NOTE: the front and rear CVA axles have threads on the ends.

NOTE: Align the gap in the pin retainer to be opposite of the CVA pin.

#6588 black grease

#1597 ca glue

1 drop!

9747 CVA bone (front)

9754 CVA bone (rear)

9748 CVA axle (front)

9755 CVA axle (rear)

7381 CVA pin

7996 CVA pin retainer

Racer's Tip: Try using only 1 drop of CA glue to secure the pin retainer!

Build x4 (2 front, 2 rear)

:: CVA Build - Bag B-BB - Step 3

Center CVA Build:

NOTE: the front and rear center CVA axles have flats on the ends.

NOTE: Align the gap in the pin retainer to be opposite of the CVA pin.

#6588 black grease

#1597 ca glue

1 drop!

9747 CVA bone (center, front)

9596 CVA bone (center, rear)

7381 CVA pin

9933 B44.3 input pinion gear

7996 CVA pin retainer

6906 $\Sigma 2$ 3/16x3/8 bearing

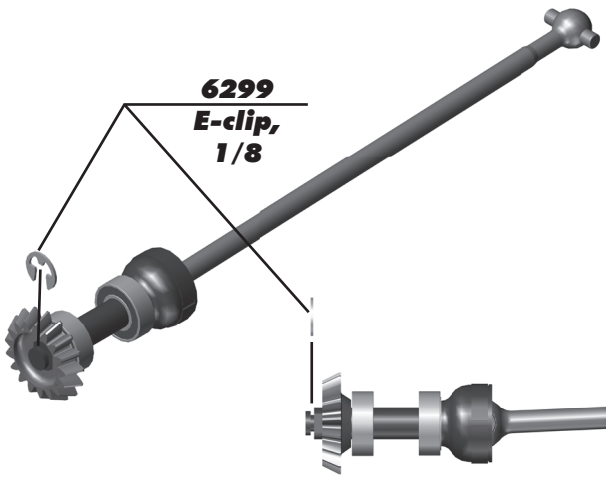
3911 $\Sigma 2$ Drivetrain shim

9942 B44.3 input shaft (gear diff)

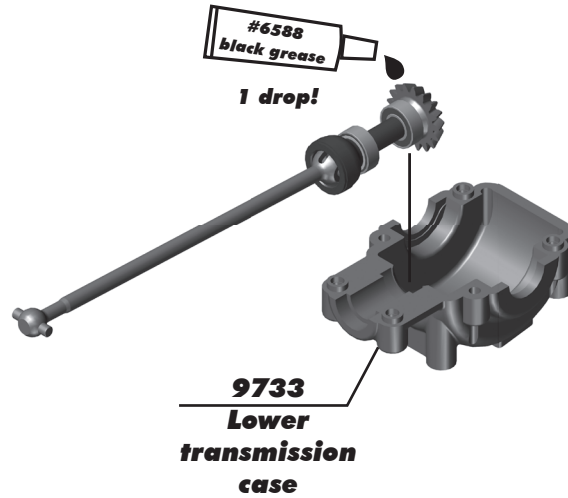
Build x2 (1 front, 1 rear)

:: CVA Build - Bag B-BB - Step 4

Center CVA Build:

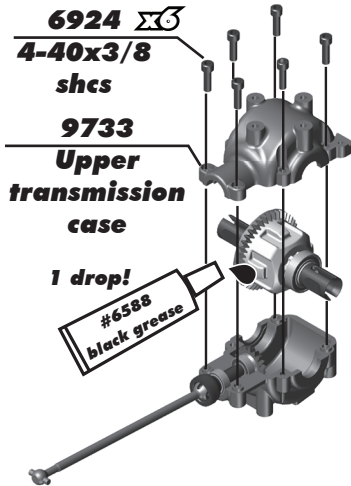


:: Front and Rear Gearbox Build - Bag C - Step 1



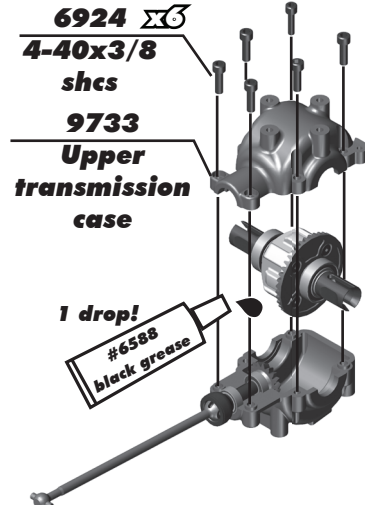
:: Front and Rear Gearbox Build - Bag C - Step 2

Saddle Pack Configuration:



NOTE: Adjust diff shimming side to side until diff spins free with minimal backlash.

Shorty Pack Configuration:



NOTE: Adjust diff shimming side to side until diff spins free with minimal backlash.

-OR-

:: Front and Rear Gearbox Build - Bag C - Step 3

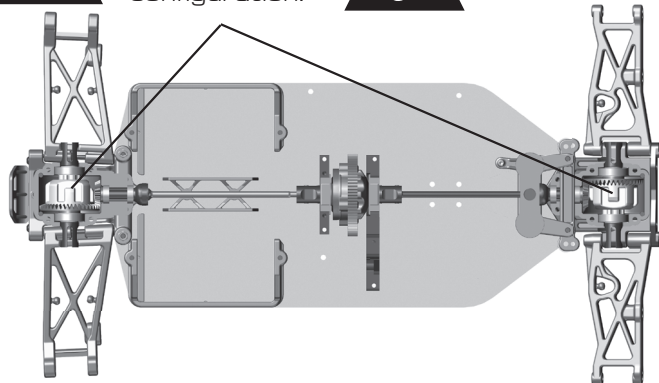
Saddle Pack Configuration:



NOTE: The orientation of the gear diffs for the saddle pack configuration.



NOTE: Optional ball diff kits are available, AE #9735.



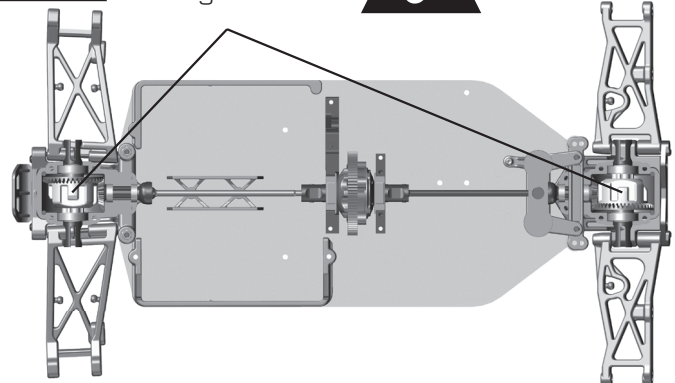
Shorty Pack Configuration:



NOTE: The orientation of the gear diffs for the shorty pack configuration.

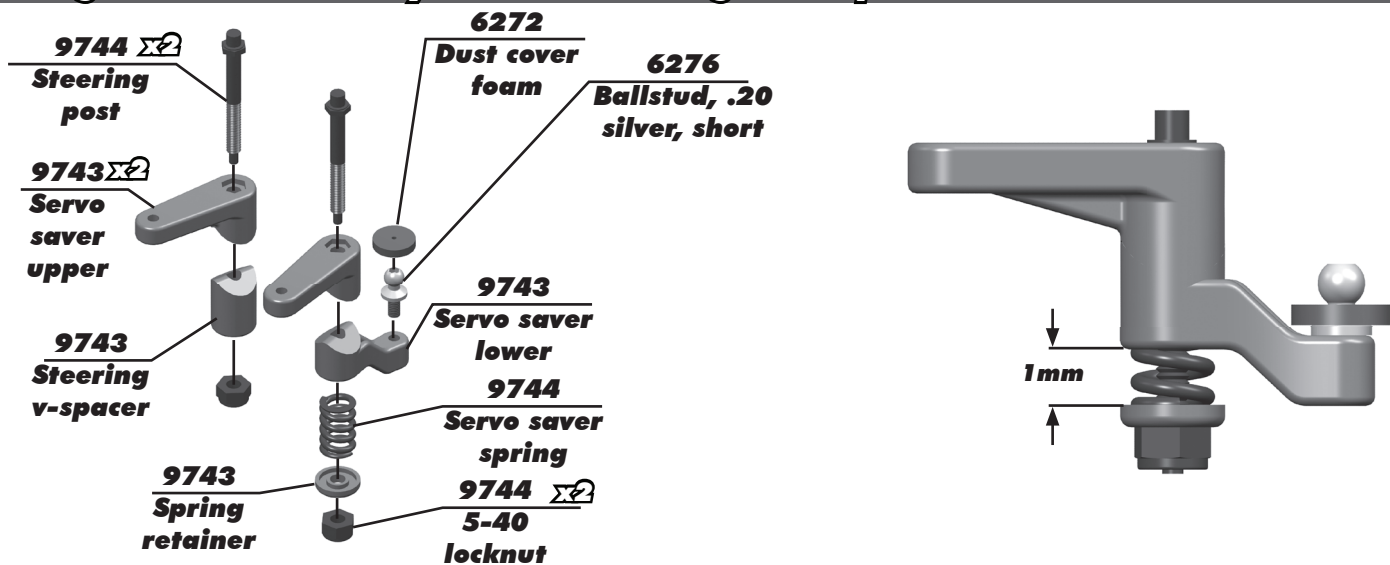


NOTE: Optional ball diff kits are available, AE #9735.

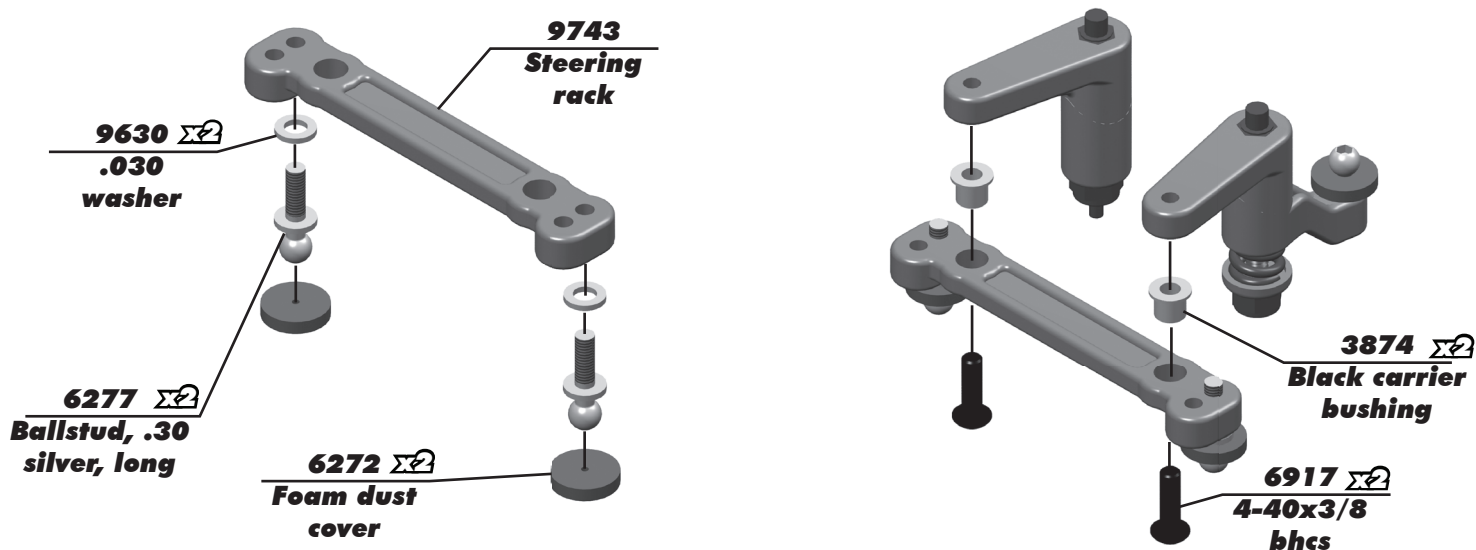


-OR-

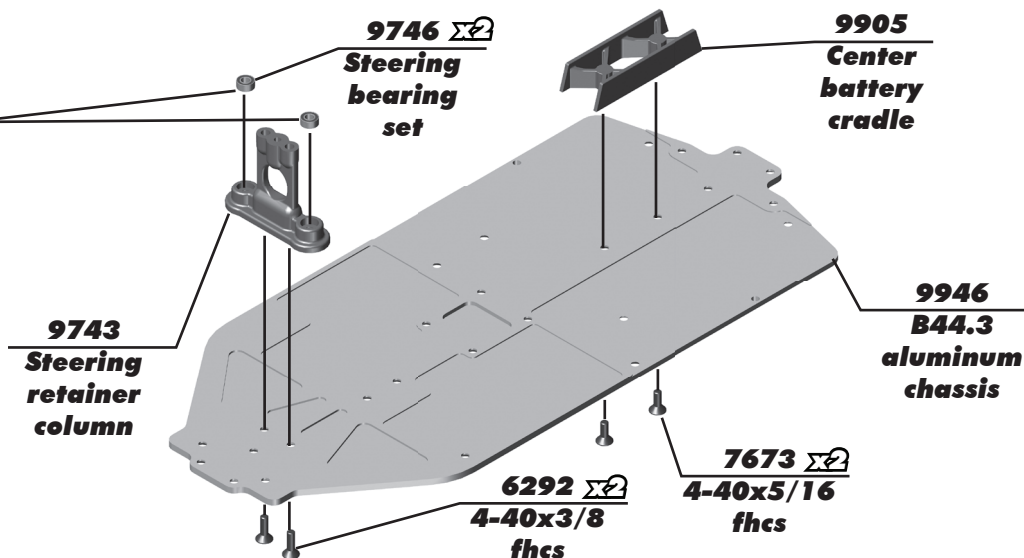
:: Steering and Center Battery Brace Build - Bag D - Step 1



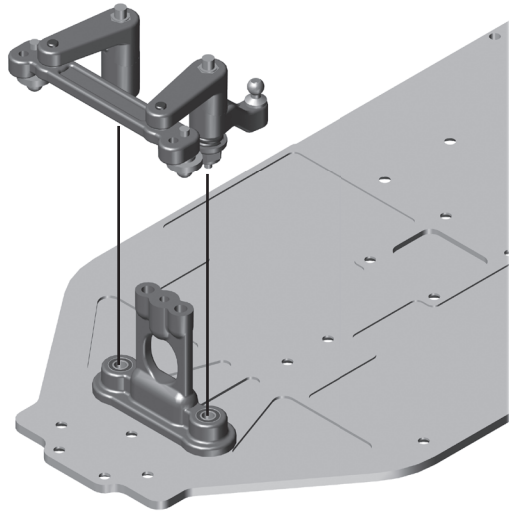
:: Steering and Center Battery Brace Build - Bag D - Step 2



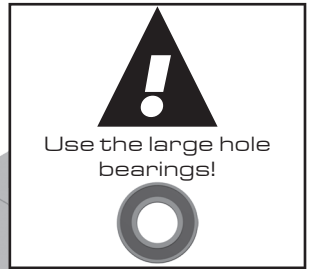
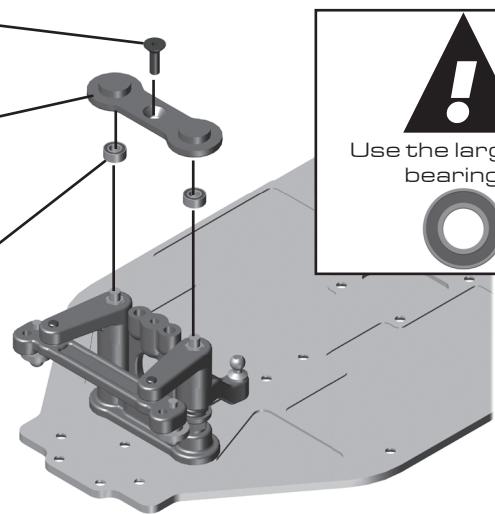
:: Steering and Center Battery Brace Build - Bag D - Step 3



:: Steering and Center Battery Brace Build - Bag D - Step 4



- 6292**
4-40x3/8
fhcs
- 9743**
Steering
retainer top
- 9746** $\Sigma 2$
Steering
bearing
set



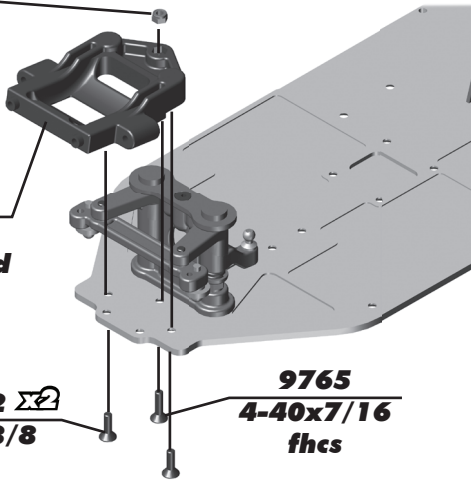
:: Front End Build - Bag E - Step 1

- 4449**
4-40x3/16
aluminum
locknut

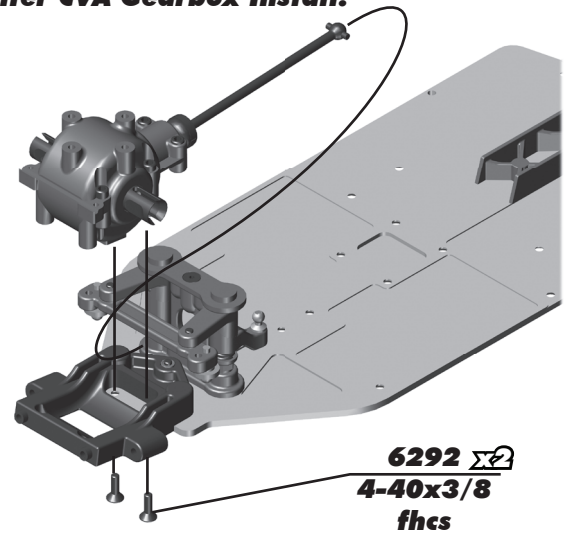
- 9713**
Front
bulkhead

- 6292** $\Sigma 2$
4-40x3/8
fhcs

- 9765**
4-40x7/16
fhcs



Front/Center CVA Gearbox Install:



- 6292** $\Sigma 2$
4-40x3/8
fhcs

:: Front End Build - Bag E - Step 2

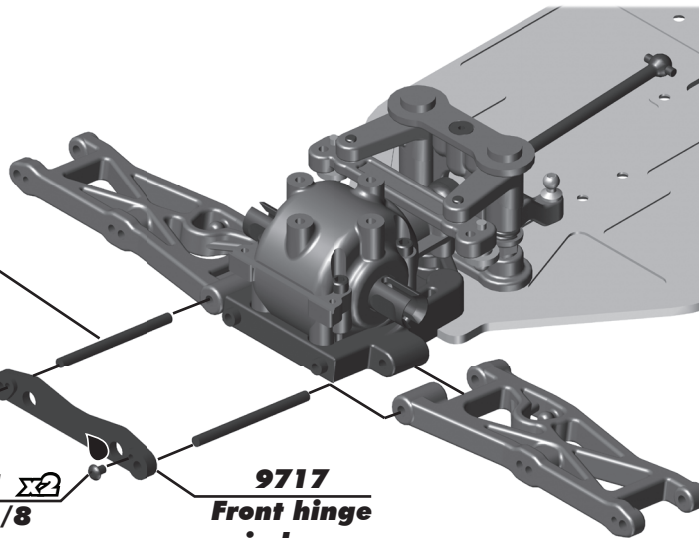
- 9716** $\Sigma 2$
Front inner
hinge pin

- #1596**
thread lock

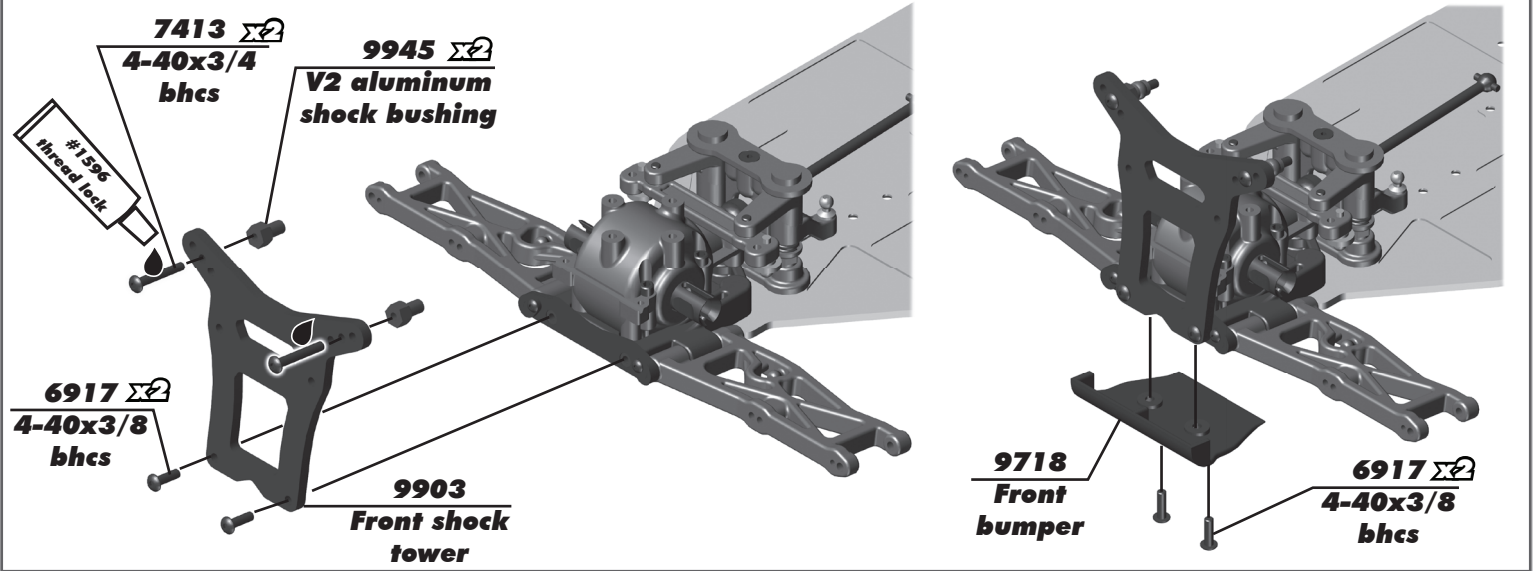
- 9645** $\Sigma 2$
2-56x1/8
bhcs

- 9717**
Front hinge
pin brace

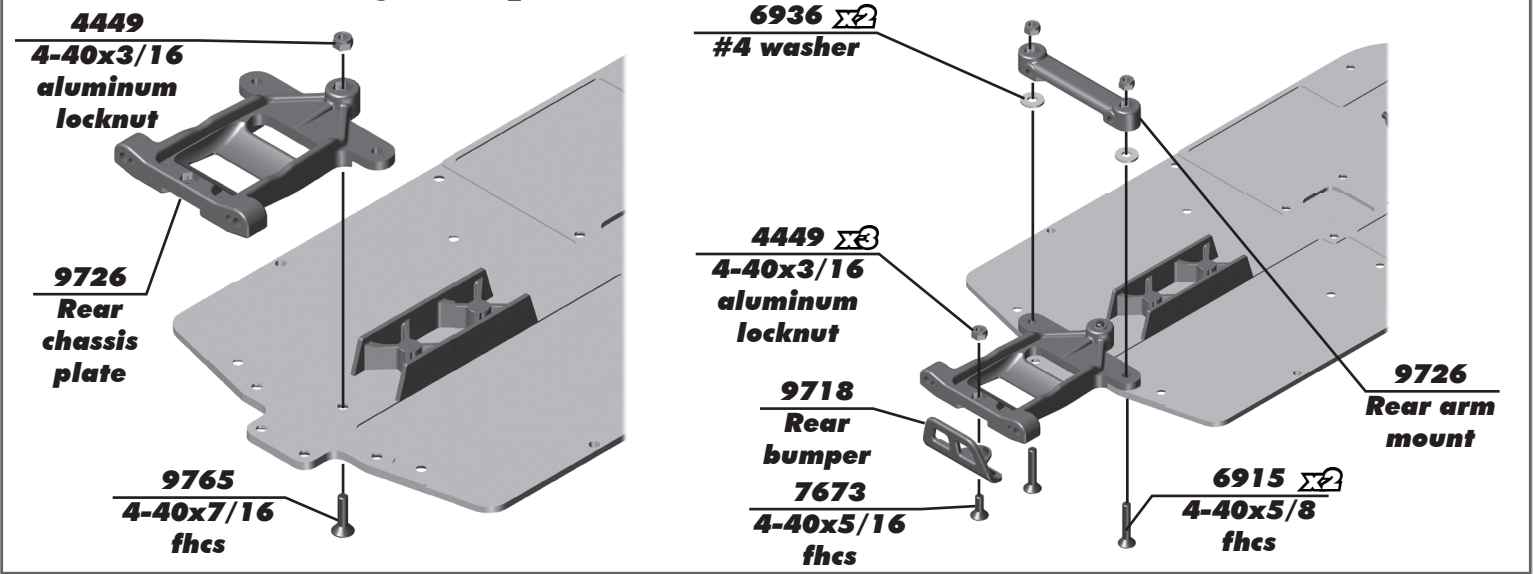
- 9715** $\Sigma 2$
Front arm



:: Front End Build - Bag E - Step 3

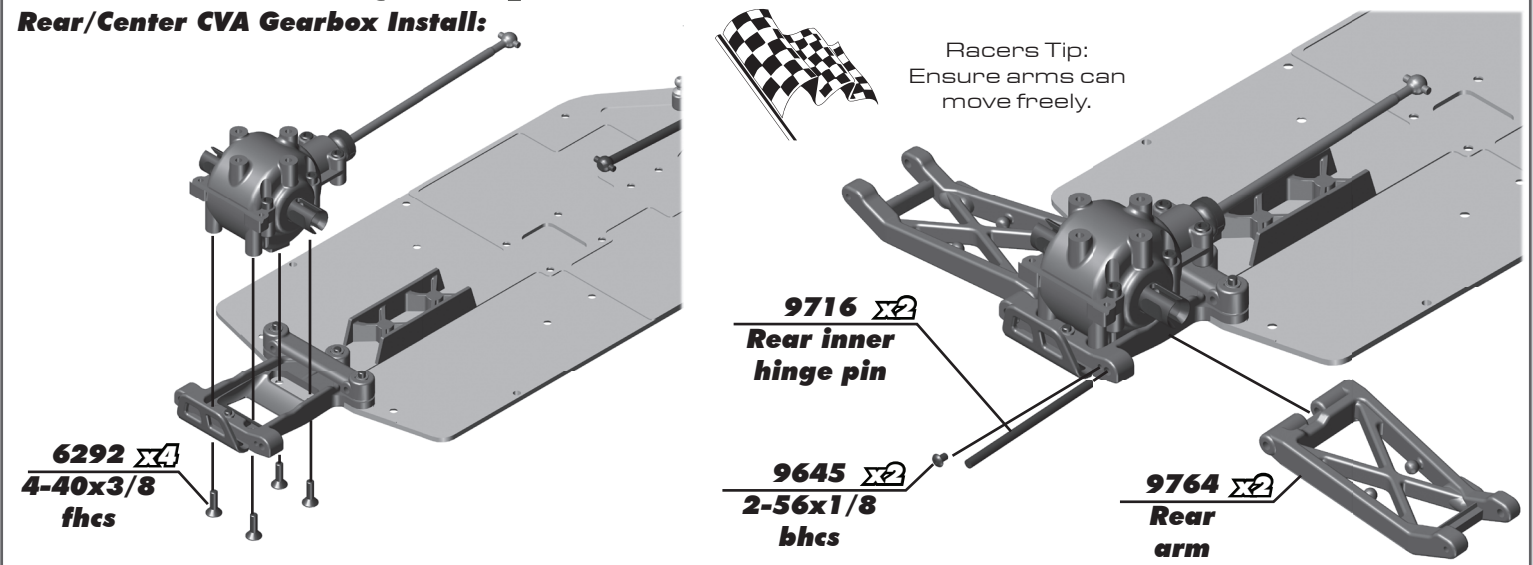


:: Rear End Build - Bag F - Step 1



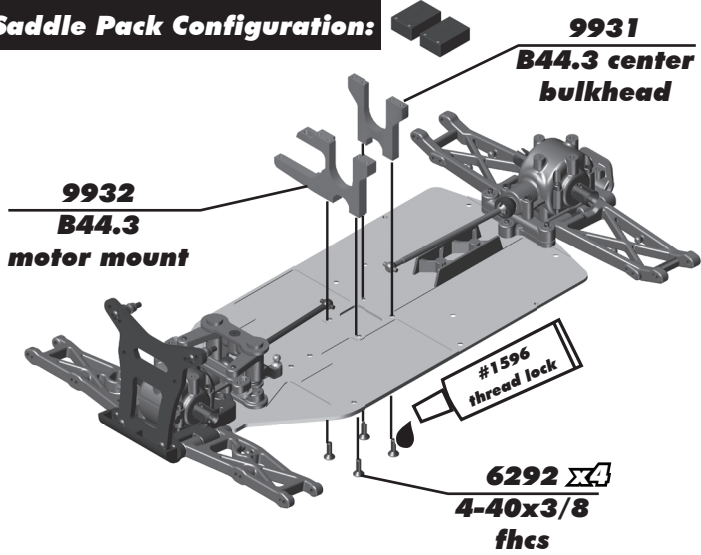
:: Rear End Build - Bag F - Step 2

Rear/Center CVA Gearbox Install:

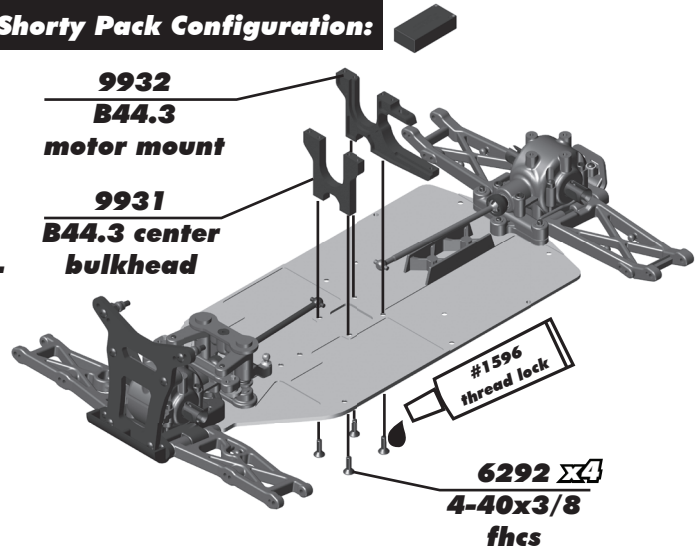


:: Center Bulkhead Mounts Install - Bag G-GG - Step 1

Saddle Pack Configuration:

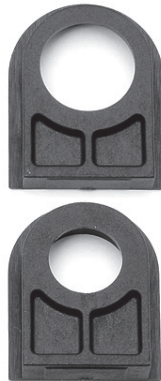
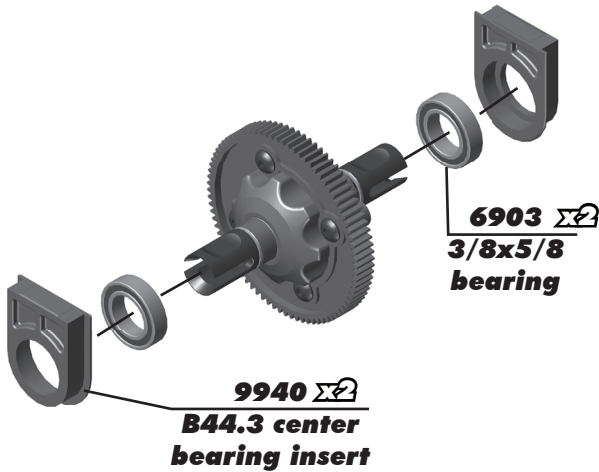


Shorty Pack Configuration:



-OR-

:: Center Bulkhead Mounts Install - Bag G-GG - Step 2

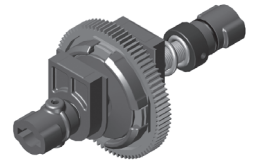


Gear Diff (Large hole)

Slipper (For optional slipper assembly, small hole) Slipper Not Included!



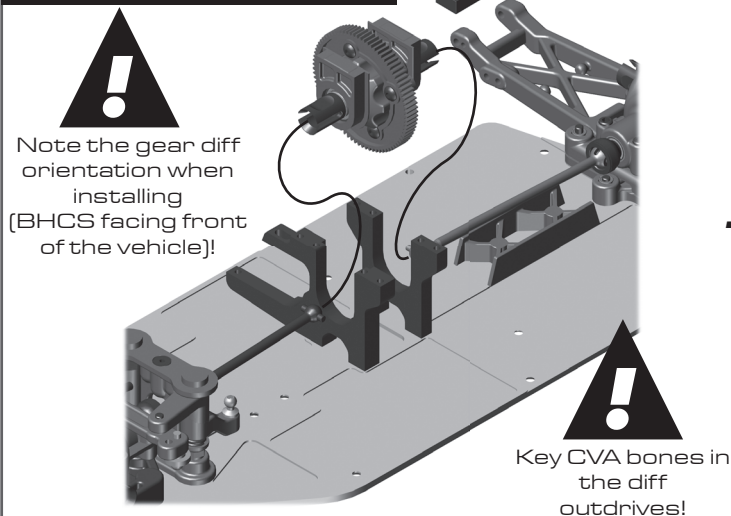
NOTE:
If using the optional slipper, note the orientation for installation (Slipper spring towards rear of vehicle)! Requires #9947 Center CVA Kit.



Optional Slipper (not included in kit)

:: Center Bulkhead Mounts Install - Bag G-GG - Step 3

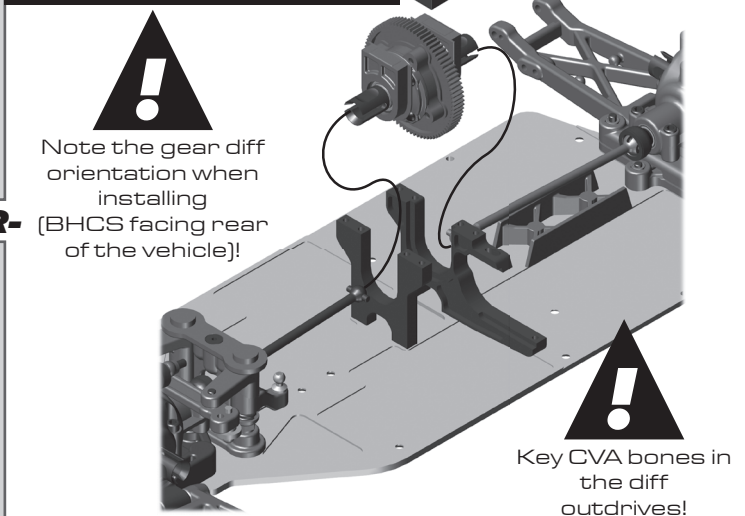
Saddle Pack Configuration:



Note the gear diff orientation when installing (BHCS facing front of the vehicle)!

Key CVA bones in the diff outdrives!

Shorty Pack Configuration:

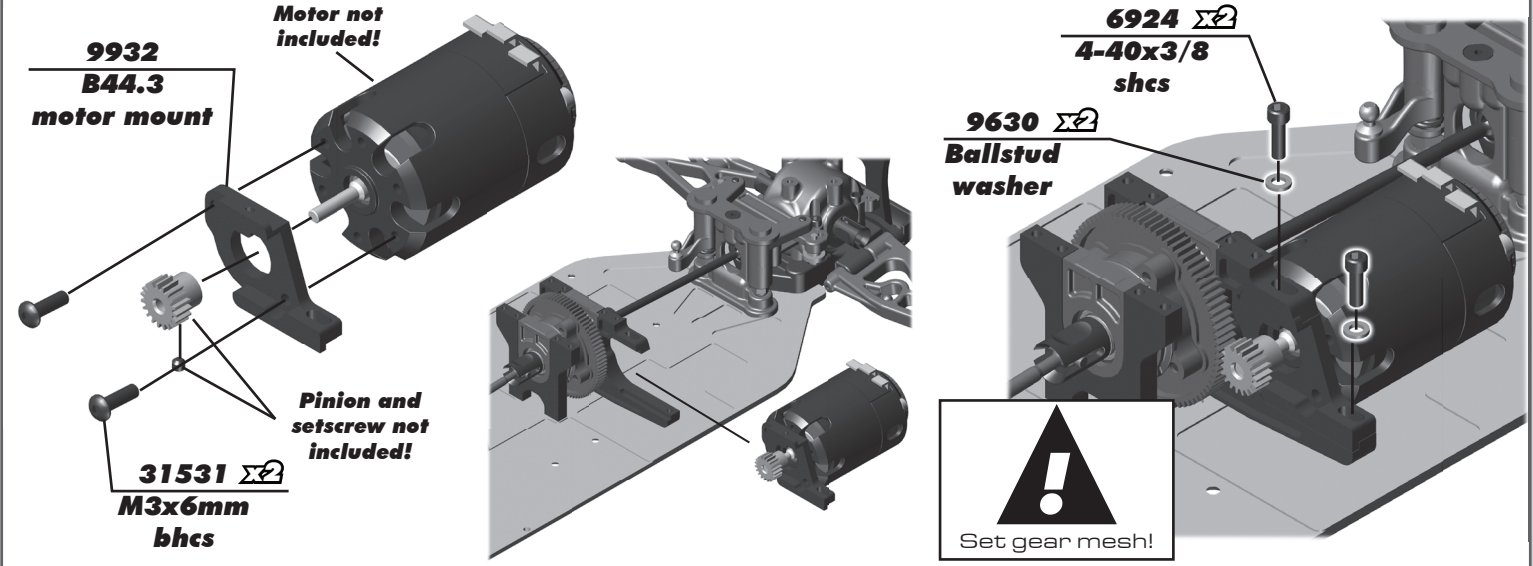


Note the gear diff orientation when installing (BHCS facing rear of the vehicle)!

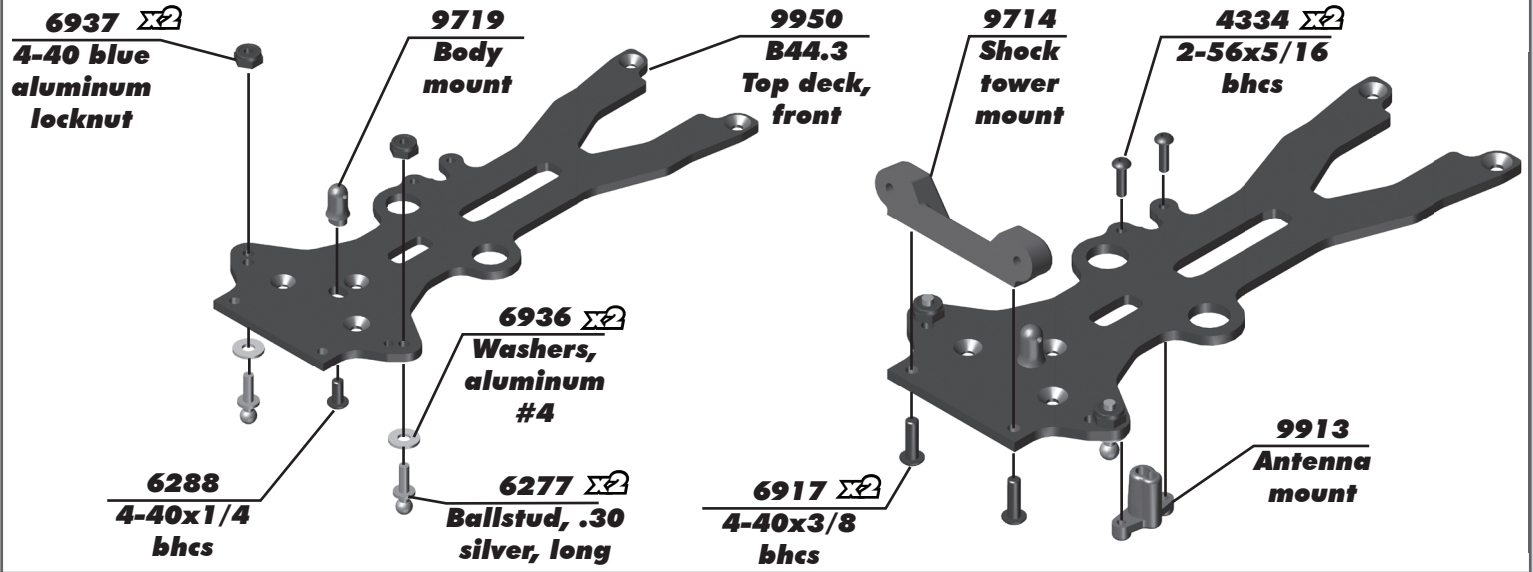
Key CVA bones in the diff outdrives!

-OR-

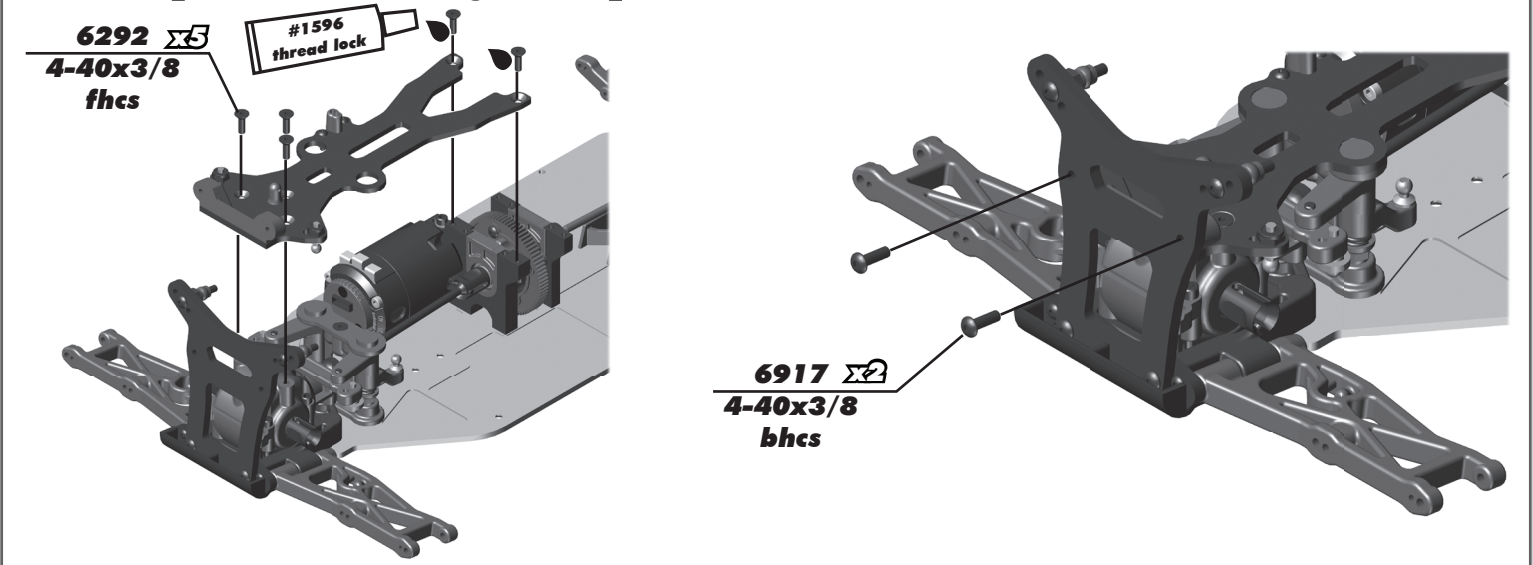
:: Center Bulkhead Mounts Install - Bag G-GG - Step 4



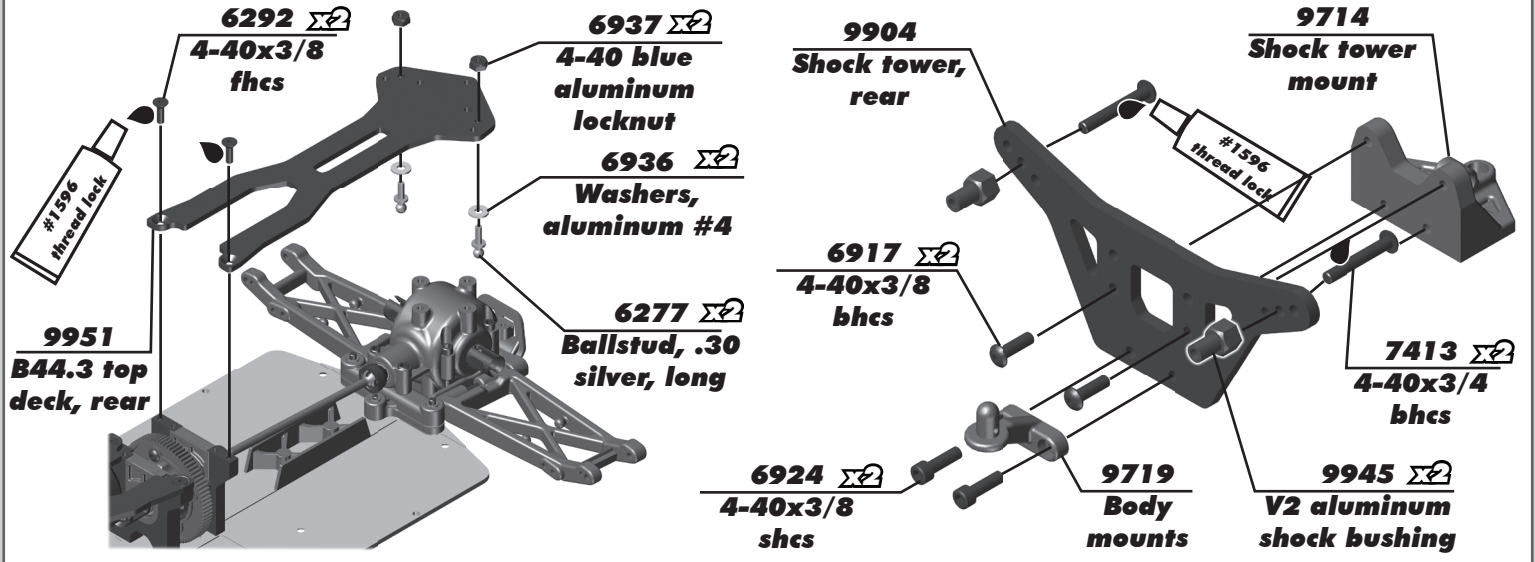
:: Front Top Deck Build - Bag H - Step 1



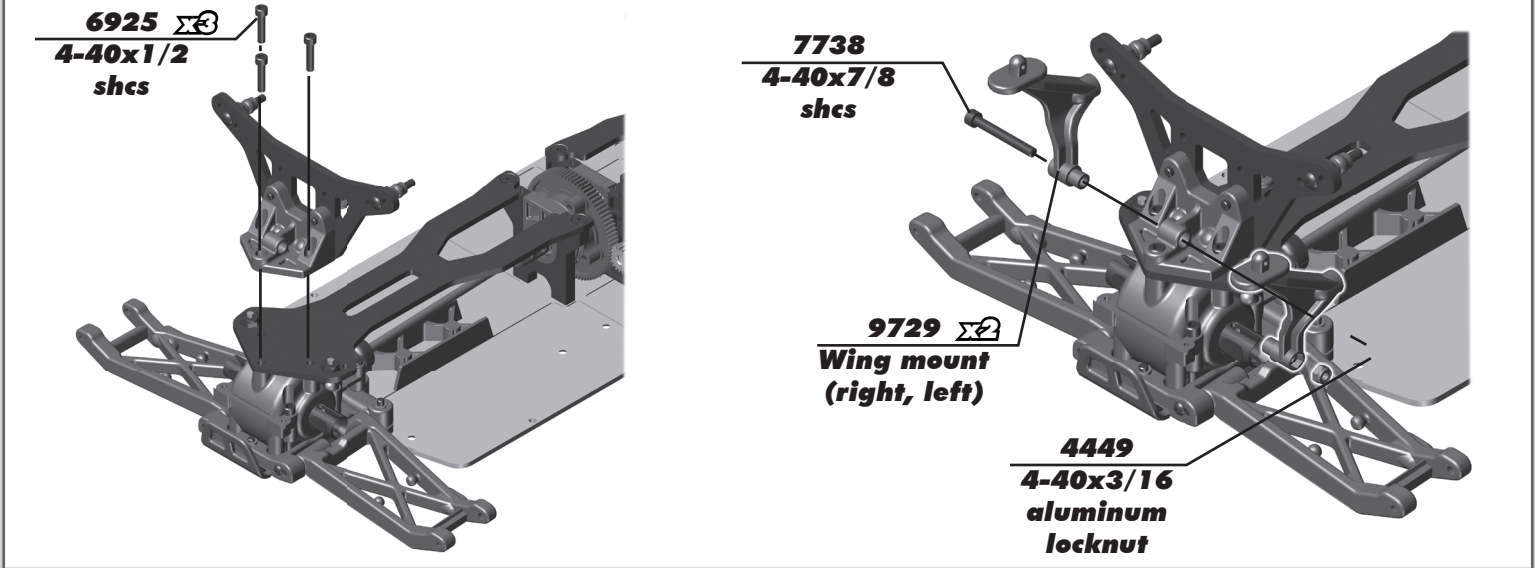
:: Front Top Deck Build - Bag H - Step 2



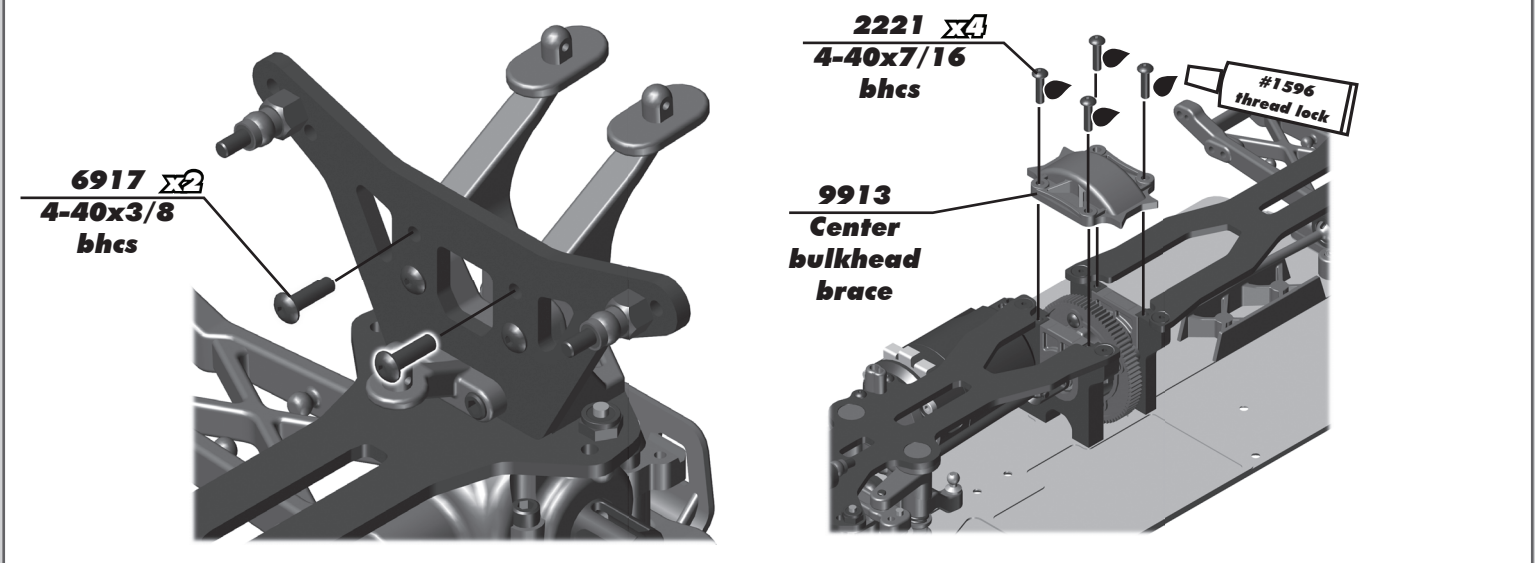
:: Rear Top Deck Build - Bag I - Step 1



:: Rear Top Deck Build - Bag I - Step 2



:: Rear Top Deck Build - Bag I - Step 3



:: Turnbuckles Build - Bag J - Step 1

Front Steering Link
1404 FT titanium turnbuckles 1.77

Front Camber Link
1406 FT titanium turnbuckles 2.00

Rear Camber Link
1406 FT titanium turnbuckles 2.00

Steering Build x2
24.5mm

Front Camber Build x2
29mm

Rear Camber Build x2
32.5mm

7499 Low friction ball cup (x2 for each link)

Racers Tip:
Use black grease (#6588) on the threads of the turnbuckles for easier ball cup installation!

:: Front Suspension Build - Bag K - Step 1

6272 Foam dust cover (x2)

6277 Ballstud, .30 silver, long (x2)

4449 4-40x3/16 aluminum locknut (x2)

9722 Steering block (right, left) (x2)

9751 Crush tube (x2)

3977 3/16x3/8 bearing (x2)

Right Side / **Left Side** labels for assembly orientation.

:: Front Suspension Build - Bag K - Step 2

7369 1/16 axle roll pin (x2)

6272 Dust cover foam (x2)

4449 4-40x3/16 aluminum locknut (x2)

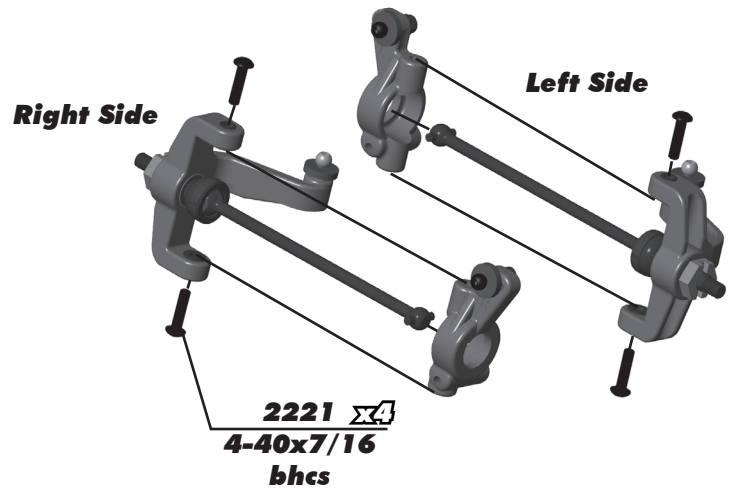
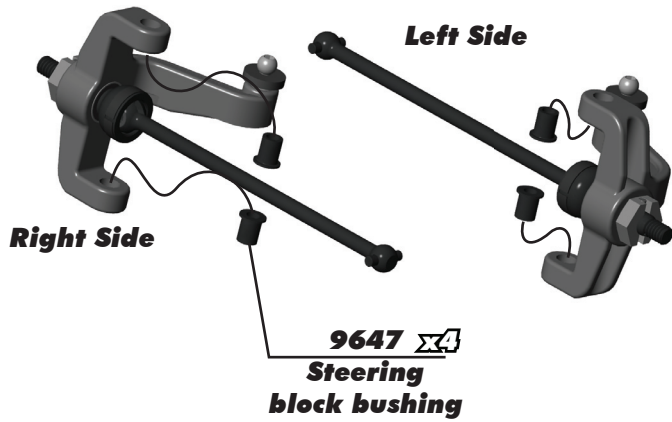
9750 Axle drive hex (x2)

3983 Ballstud, .30 black, short (x2)

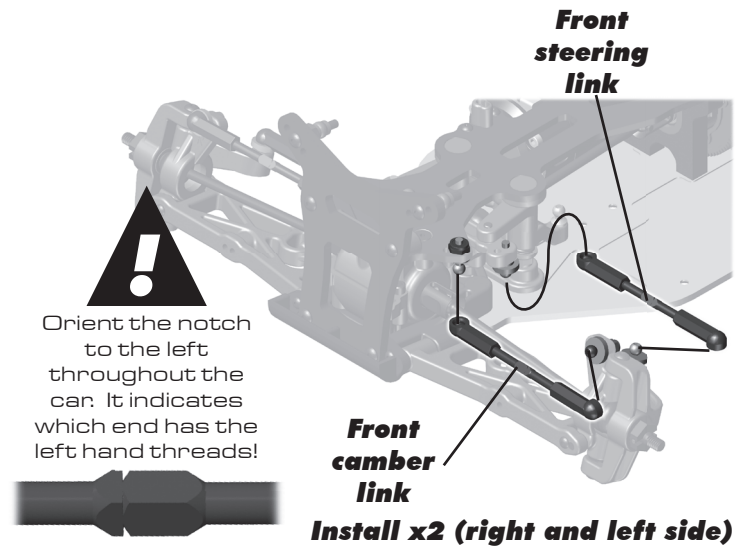
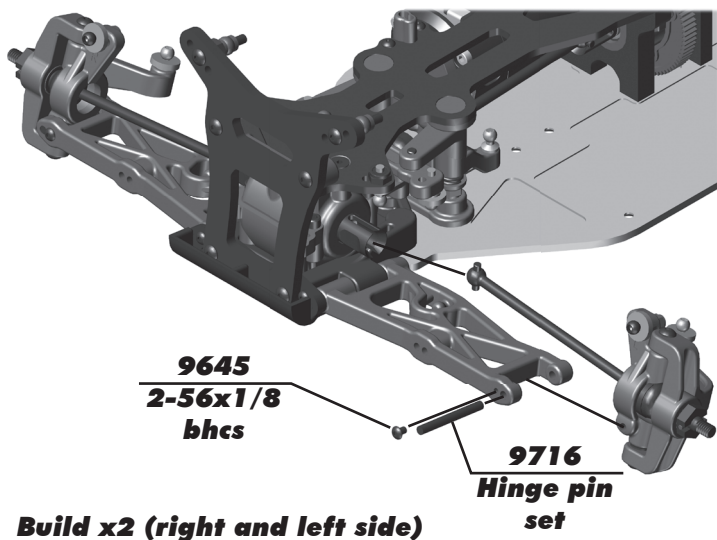
9720 Caster block (right, left) (x2)

Right Side / **Left Side** labels for assembly orientation.

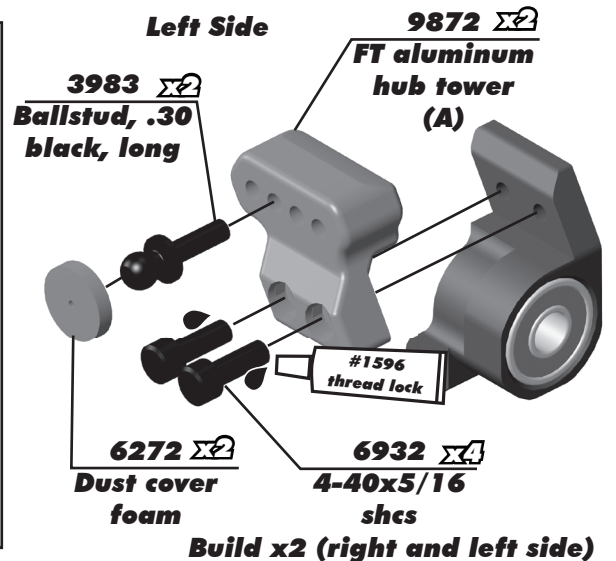
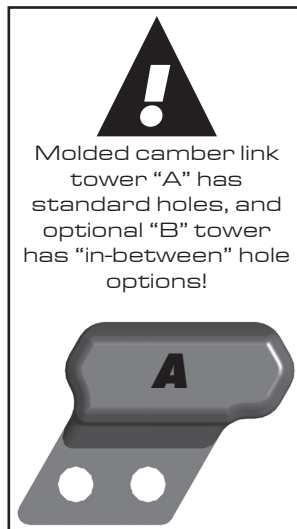
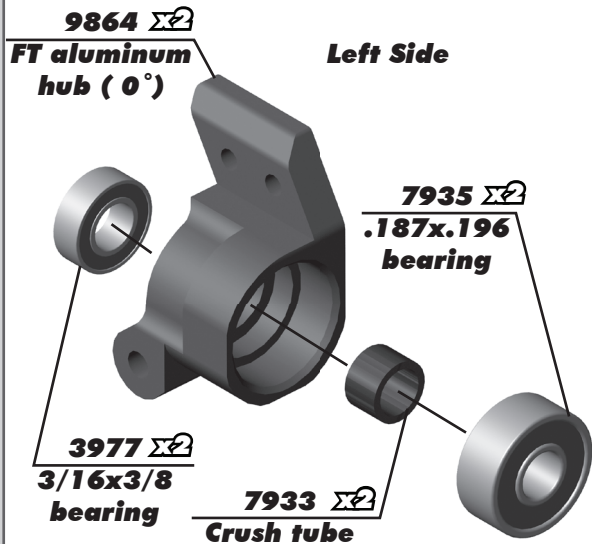
:: Front Suspension Build - Bag K - Step 3



:: Front Suspension Build - Bag K - Step 4

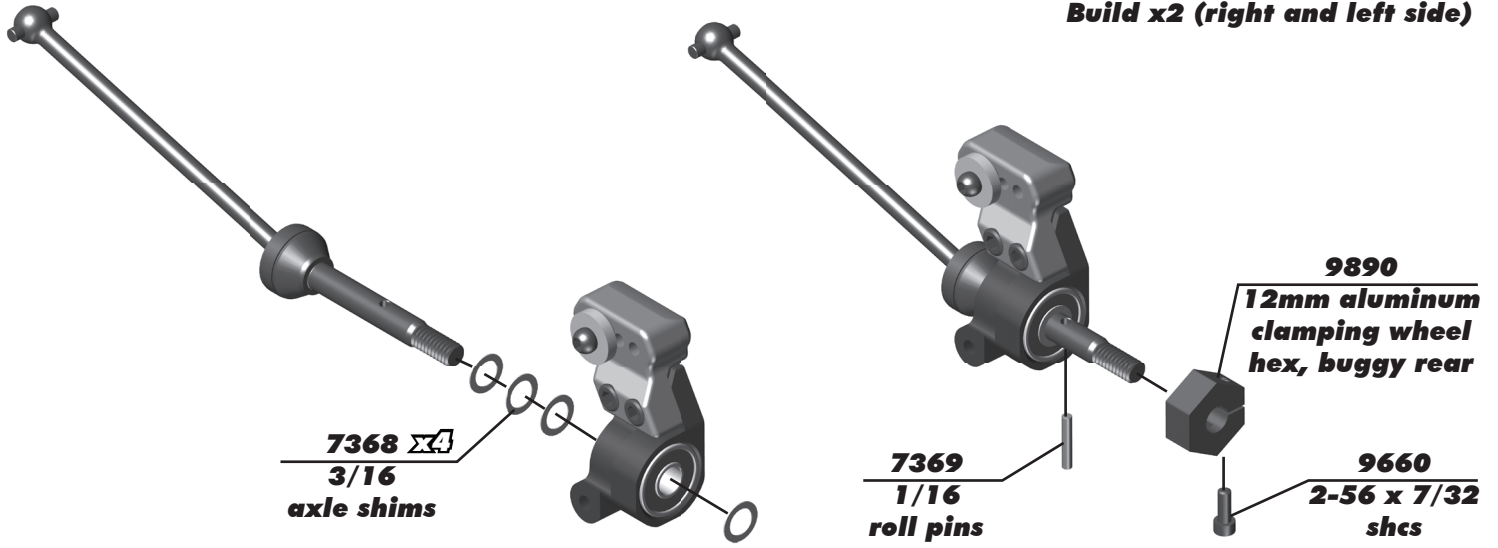


:: Rear Suspension Build - Bag L-LL - Step 1



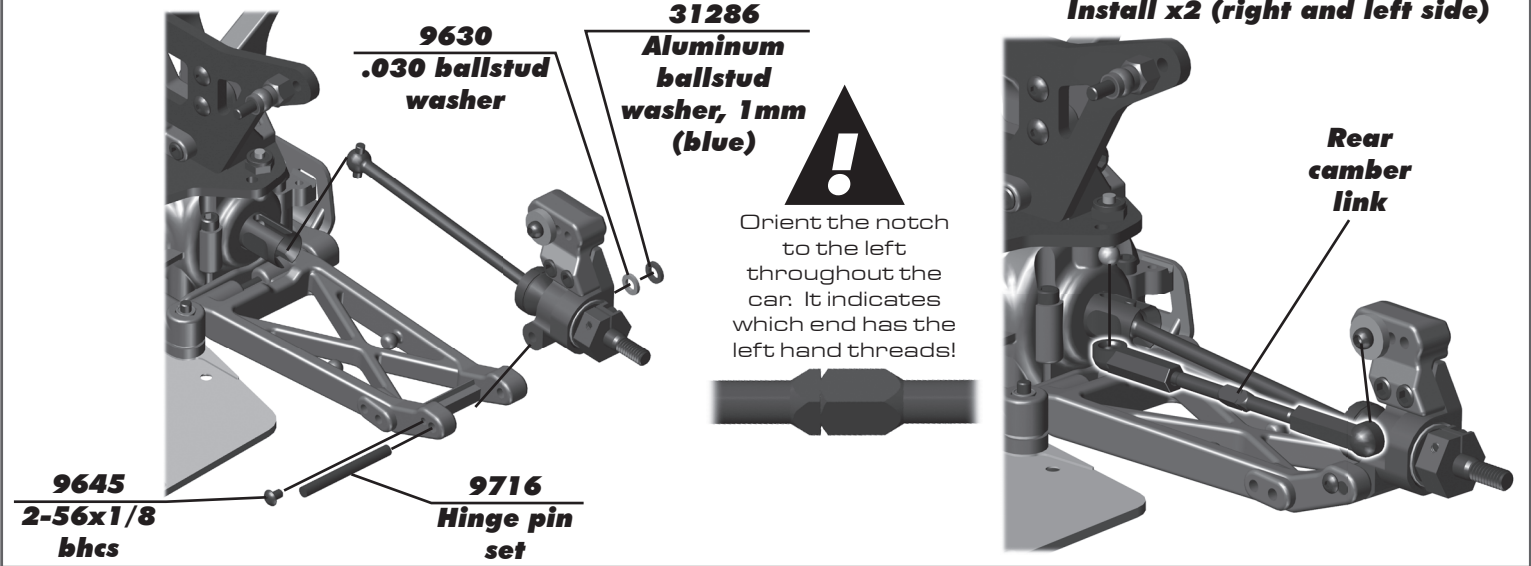
:: Rear Suspension Build - Bag L-LL - Step 2

Build x2 (right and left side)

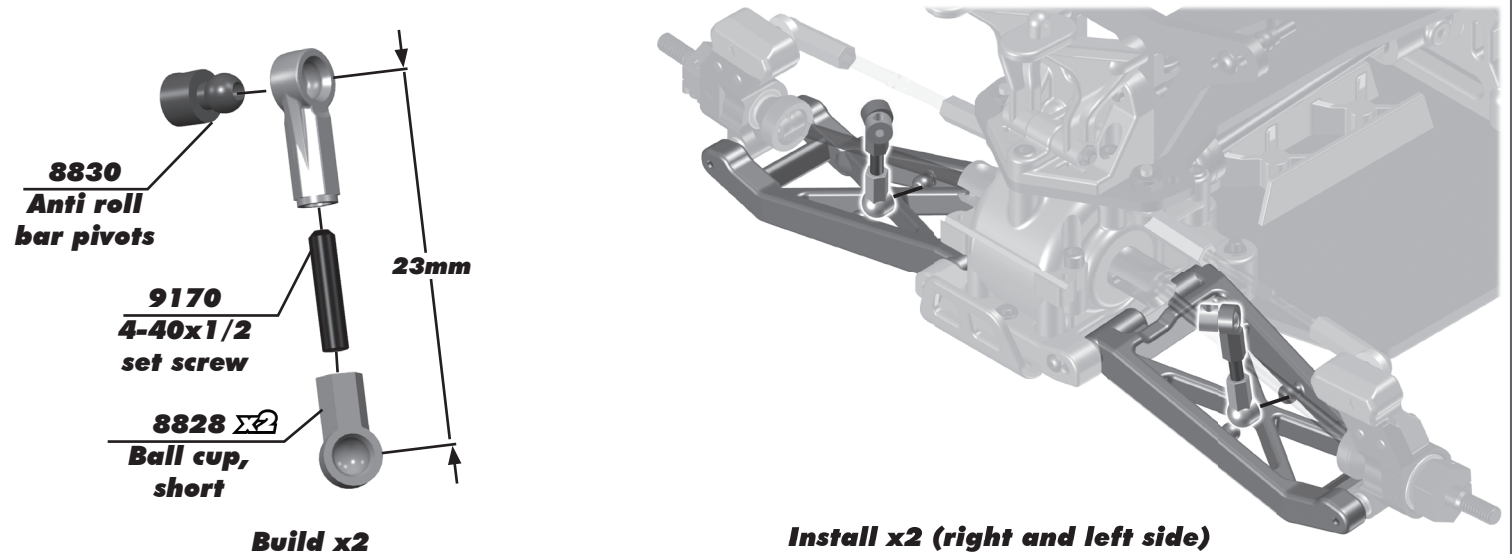


:: Rear Suspension Build - Bag L-LL - Step 3

Install x2 (right and left side)



:: Rear Suspension Build - Bag L-LL - Step 4



:: Rear Suspension Build - Bag L-LL - Step 5

4334 Σ 2
2-56x5/16
bhcs

89278 Σ 2
Washer,
2.5mm

9780
0.47 black
anti-roll bar

6951 Σ 2
4-40x1/8
setscrew

Optional silver anti-roll bar also included!

Adjust so that the anti roll bar is level and the end link is 90° to the anti roll bar at ride height.

Make sure endlinks pivot freely!

:: Shocks Build - Bag M-MM - Step 1

91308
12mm shock
piston
(1.5 front)
(1.7 rear)

6299
1/8 E-clip

91488
3x21
shock shaft
(front)

91489
3x27.5
shock shaft
(rear)

6299
1/8 E-clip

4187
Nylon spacer,
(.030)

Front:
1 spacers

Rear:
1 spacers

Racers Tip:
Use a marker over the numbers on the pistons to make them easily visible!

:: Shocks Build - Bag M-MM - Step 2

91480
12x23mm V2
shock bodies
(front)

91482
12x31mm V2
shock bodies
(rear)

5407 Σ 2
O-ring

91491
Shock
spacer

91491 Σ 2
Shock hat
bushing

91491
12mm shock
cap o-ring

31327
VCS3 shock
bottom cap
o-ring

31327
VCS3 shock
bottom cap

#1105
green slime

Racers Tip:
Lightly rub shock oil on the o-ring before installation!

Racers Tip:
Coating the o-rings with green slime (#1105) helps seal & reduce o-ring swell! **Green slime not included in kit!**

NOTE: Use #4187 when building rear shocks only!

4187
Nylon spacer,
.030

1777
Shock
eyelet

1777
FT shock
pivot ball

#1105
green slime

:: Shocks Build - Bag M-MM - Step 3

Shock oil #5429

Front Shock: 35 wt

Rear Shock: 35 wt

91449 x4
12mm shock cap

Step 2-3 **Step 4-5** **Step 6-7** **Step 8**

Shock Bleeding Steps:

1. Before assembly, get each bleed screw and thread it 1-2 turns into the shock cap. This will make installation easier when you are bleeding your shocks.
2. Pull shock shaft down completely.
3. Fill shock body 3/4 full with silicone shock fluid.
4. Slowly move the shock shaft up and down to remove air from under the piston.
5. Wait for bubbles to come to surface.
6. Fill shock body to top with silicone shock fluid.
7. Place a drop of oil in the cap and on cap threads.
8. Install cap (without bleed screw) and tighten completely.
9. Slowly compress shaft all the way to bleed excess silicone shock fluid out the hole in the cap (use rag around shock to catch excess fluid).
10. Install M2x4mm button head screw until snug while shaft is fully compressed.

31510 x4
M2x4mm bhcs

Step 9-10

:: Shocks Build - Bag M-MM - Step 4

91304 x4
12mm threaded collar o-ring

91304 x4
12mm threaded collar

Racers Tip:

Use your finger to rub shock oil on the o-ring for smoother adjustment!

91332
12mm front spring, Red (3.90lb)

91336
12mm rear spring, Green (2.00lb)

Front: 4.5mm

Rear: 1.6mm

9mm Offset

5mm Offset

0mm Offset

91310
12mm shock spring cup (5mm offset)

Build x2 front and x2 rear shocks

:: Shocks Build - Bag M-MM - Step 5

6472 x2
Shock mount nut

91447 x2
Shock bushing ball

6925 x2
4-40x1/2 shcs

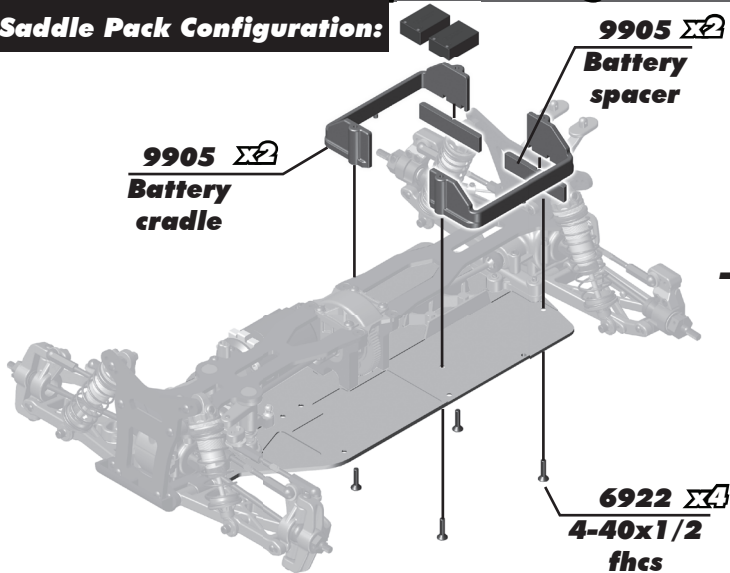
91447 x2
Shock bushing ball

6472 x2
Shock mount nut

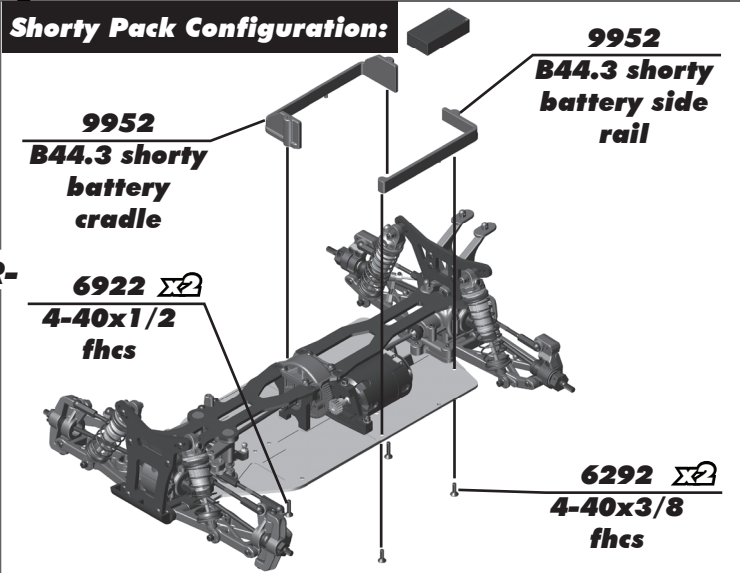
6925 x2
4-40x1/2 shcs

:: Battery Cradle / Strap Build - Bag N-NN - Step 1

Saddle Pack Configuration:

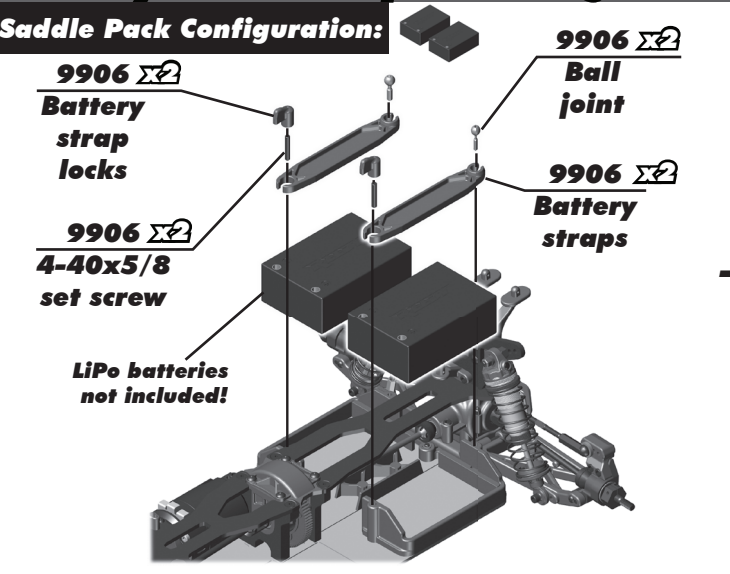


Shorty Pack Configuration:

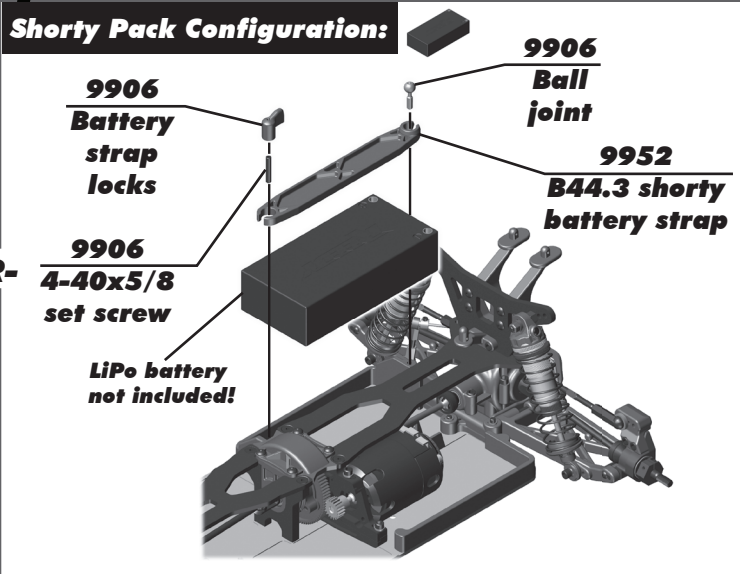


:: Battery Cradle / Strap Build - Bag N-NN - Step 2

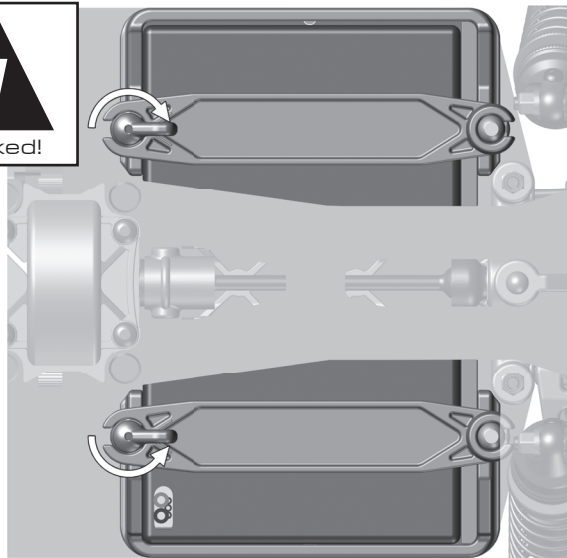
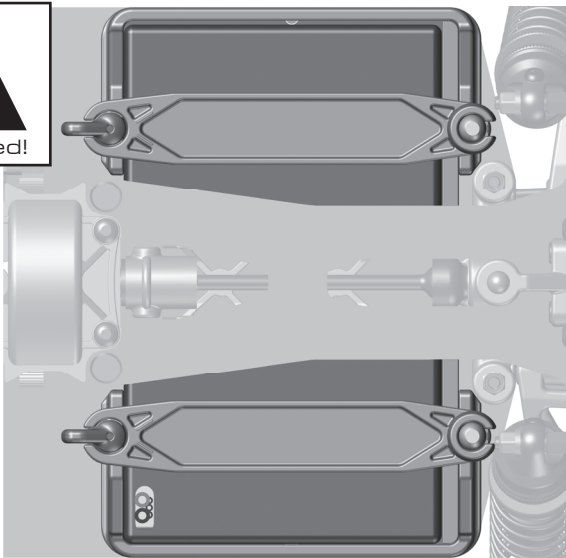
Saddle Pack Configuration:



Shorty Pack Configuration:



:: Battery Cradle / Strap Build - Bag N-NN - Step 3



:: Servo Build - Bag 0-00 - Step 1

7911 Servo link

3981 Ballstud, .20 black, short

20.5m

6272 Dust cover foam

9180 Servo horn

89007 Servo horn ring

Servo not included!

6917 4-40x3/8 bhcs

7336 2 Servo spacers

9943 B44.3 floating servo mount

1779 FT Servo mount

7337 4 Gold washer

Note the orientation of #9943 floating servo mount!

Offset the servo horn by 5-10 degrees (approx. one notch)

:: Servo Build - Bag 0-00 - Step 2

Floating Servo Mount

6288 4-40x1/4 bhcs

9944 B44.3 floating servo brace

6291 4-40x1/4 fhcs

:: Servo Build - OPTION

Non-Floating Servo Mount

This is an optional way to mount your servo by using two #1779 FT Servo Mounts. The second #1779 FT Servo Mount is not included in this kit!

7336 2 Servo spacers

1779 2 FT Servo mount


6917 4-40x3/8 bhcs

7337 4 Gold washer

6292 4-40x3/8 fhcs

:: Servo Chart

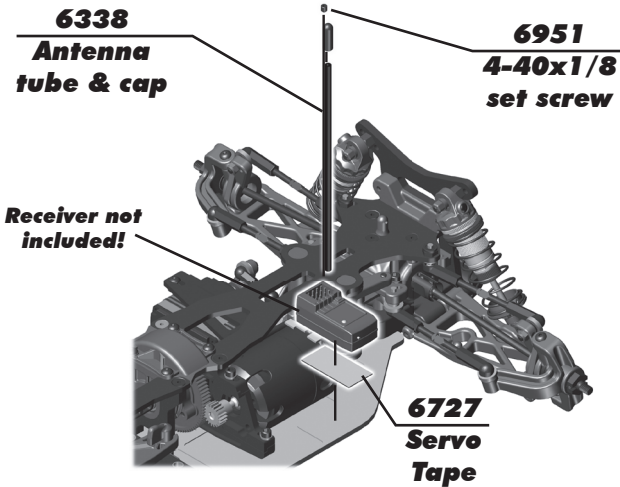
Steering Servo Chart

		# 9180 servo arm 
Associated	XP-1015, XP-1313	F
Airtronics	94102	A
Airtronics	94257, 94258, 94357, 94358, 94452, 94453, 94755	A
Hitec	HS-5625MG, HS-5645MG, HS645MG	H
Hitec	HS-965, HS-985MG, HS-5965, HS-5985MG	H
JR	Z4750, Z2750	J
JR	Z250, Z550	J
Futaba	S9204, S9250, S9450	F
Futaba	S9404	F
KO	PS-401, PS-2001, PS-2004, PS-2015, PS-2173, PS-2174, PS-2123, PS-2143, PS-2144	J

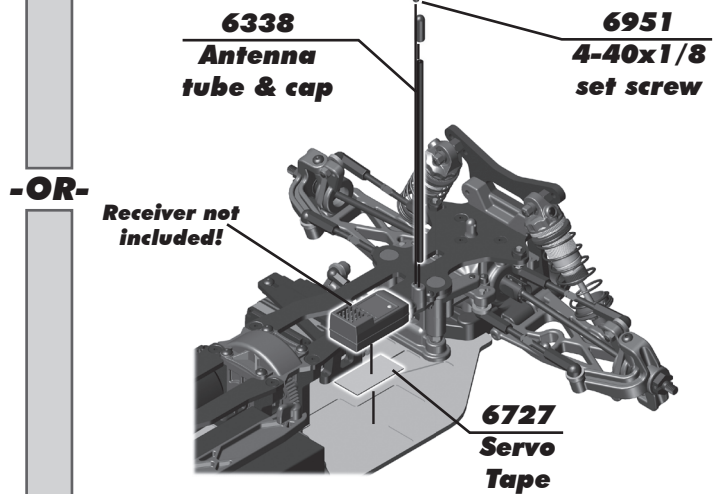
* Not all servo's are listed
 * Make sure servo linkage clears the servo through full travel in both directions.
 Use # 7336 servo spacers to adjust the servos position

:: Electronics Install - Step 1

Saddle Pack Configuration: 

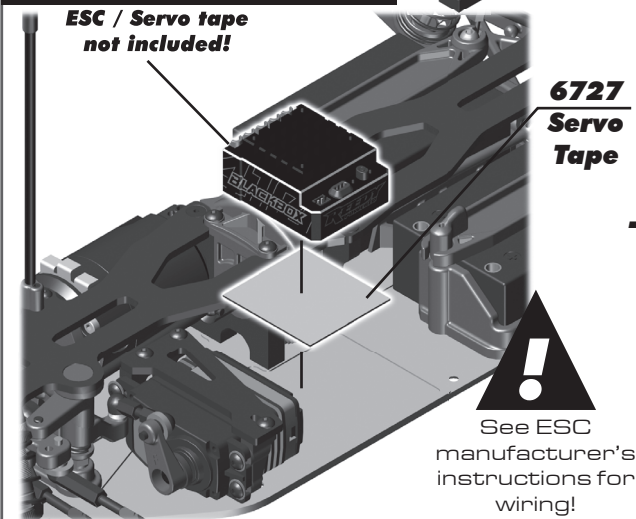


Shorty Pack Configuration: 

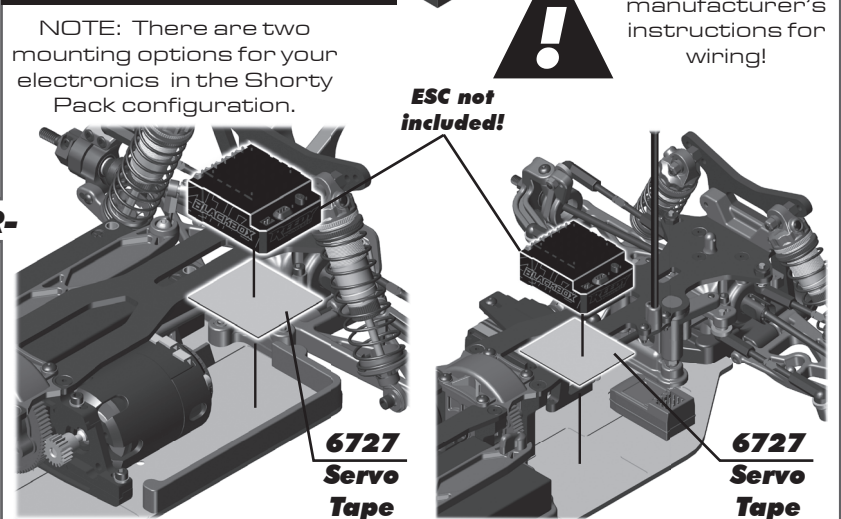


:: Electronics Install - Step 2

Saddle Pack Configuration: 



Shorty Pack Configuration: 



:: Body, Wheels, Tires Install - Bag P - Step 1

!
Carefully apply tire adhesive to the tire bead on both sides. Do one side at a time, allow it to dry before gluing the other side!

#1597
ca glue

#1597
ca glue

9767 $\times 2$
Buggy front
wheel hex,
white

9695 $\times 2$
Buggy rear
wheel hex,
white

Tires / Inserts
not included!

Tires / Inserts
not included!

:: Body, Wheels, Tires Install - Bag P - Step 2

6952 $\times 2$
8-32
locknut,
steel

6953 $\times 2$
8-32
LP steel
locknut

:: Body, Wheels, Tires Install - Bag P - Step 3

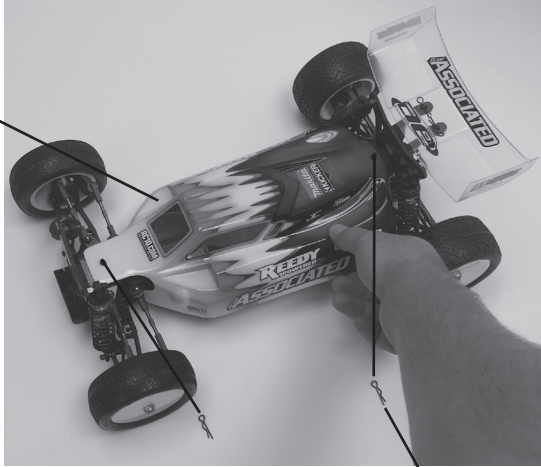
1736 $\times 2$
FT body
clips, blue

9729 $\times 2$
Wing
shims

9772
High downforce
wing, 6.5"

:: Body, Wheels, Tires Install - Bag P - Step 4

**#0266
Finisher
X-Flow
body sold
by
JConcepts**



**1736 $\Sigma 2$
FT body
clips, blue**

Painting Tips:

Body :
Your B44.3 FT comes with a clear polycarbonate body. You will need to prep the body before you can paint it. Wash the inside thoroughly with warm water and liquid detergent. Dry the body using a clean, soft, lint-free cloth. Use the supplied window masks to cover the windows from the **INSIDE** of the body (RC cars get painted from the inside). Using high quality masking tape, apply tape to the inside of the body to create a design. Spray (either rattle can or airbrush) the paint to the inside of the body (preferably dark colors first, lighter colors last).

NOTE: use **ONLY** paint that is recommended for use with (polycarbonate) plastics. If you don't, you can destroy the plastic body!!!!).

After painting, cut the body along the trim lines. Make sure to drill or use a body reamer to make the holes for the body mounts and antenna!

:: Notes

:: Tuning Tips

Tips for Beginners:

Before making any changes to the standard setup, make sure you can get around the track without crashing. Changes to your vehicle will not be beneficial if you can't stay on the track. Your goal is consistent laps.

Once you can get around the track consistently, start tuning your vehicle. Make only ONE adjustment at a time, testing it before making another change. If the result of your adjustment is a faster lap, mark the change on the included setup sheet (make additional copies of the sheet before writing on it). If your adjustment results in a slower lap, revert back to the previous setup and try another change.

When you are satisfied with your vehicle, fill in the setup sheet thoroughly and file it away. Use this as a guide for future track days or conditions.

Front Camber Link Length & Washers Under Ballstud:

Changing the length of the camber link is considered a bigger step than adjusting the ballstud height. Typically shortening the camber link (or lowering the ballstud) will give the front end less roll and quicken steering response. Lengthening the camber link (or raising the ballstud) will give the front more roll and slower steering response. To raise the ballstud, remove washers from between the ballstud and upper deck.

Front Camber:

A good starting camber setting is -1 degrees. Use the included #1719 camber gage to set your camber. Positive camber, where the top of the tire is leaning out, is typically not recommended.

Front Toe-In:

Zero degree toe-in (tires pointing straight forward) is the setting that should be used in almost all track conditions. Occasionally you can increase turn in by adding a little toe-out (front of tires point slightly out). Front toe in is not a typical tuning adjustment used by The Team.

Front Arm Hole:

The kit silver springs and outside front arm hole will work best in most cases. Moving the shock to the inside hole on the front arm requires you to add another down travel limiter to the front shocks, so there should be two down travel limiters in each shock. You should also change to a stiffer spring to account for the difference in leverage on the shock.

Front Ride Height:

The standard front ride height setting is 21 mm. Check the ride height by lifting up the entire car about 8-12 inches off the bench and drop it. After the suspension "settles" into place, raise or lower the shock collars as necessary until there is 21 mm gap from the bottom of the chassis to the ground.

Anti-Squat:

Anti-squat denotes the angle of the rear arms relative to the ground. Zero anti-squat means that the rear arms are flat, parallel with the ground. The kit setting is 2 degrees, and can be reduced to 1 degree by removing the included #4 washer underneath the arm mount. You can add another #4 washer so that there is two washers underneath the arm mount to get 3 degrees of anti-squat. Adding anti-squat tends to make the car "rotate" more in corners, but doesn't handle as well through the bumps. 1 degree will be better in bumpy sections.

Rear Camber Link Length & Washers under Ballstud:

Changing the length of the camber link is considered a bigger step than adjusting the ballstud height on the rear chassis brace. Typically shortening the camber link (or lowering the ballstud) will give the rear end less roll and the car will tend to accelerate or "square up" better. Lengthening the camber link (or raising the ballstud) will give the rear more roll and more cornering grip. To raise the ballstud, remove washers from in-between the ballstud and upper deck. You should normally use the kit setting and only adjust the ballstud height.

Rear Hub Spacing:

You have 3 options for rear hub spacing, FORWARD, MIDDLE, & BACK. The kit setting is FORWARD, which provides the most rear traction and will be used most often. For improved handling in bumps or rhythm sections, try moving the hubs to MIDDLE or BACK. This can also make the car handle better in 180 turns.

Anti-Roll Bar:

The #9780 B44 anti-roll bar kit (A.K.A. swaybar) allows you to add roll resistance to the rear end with minimal effect on handling over bumps and jumps. The anti-roll bar is very helpful when trying to tune the suspension. The black bar is the softest (.047" wire, standard) and the silver (.055" wire) is the hardest. It is popular to run a rear anti-roll bar in 4wd to help the car square up more out of turns. A front anti-roll bar can also be used, more specifically for higher grip tracks, where controlling weight transfer is more difficult. A front anti-roll bar helps keep the front flatter on corner entry, and helps prevent over loading the front outside tire as well as reduce the pitch of the car and maintain consistent grip on all tires. A rear anti-roll bar will help give the car more steering and square up quicker under acceleration.

:: Tuning Tips (cont.)

Rear Arm Hole:

The inner hole in the arm tends to work the best over the bumps and jump sections. Changing to the outer hole in the rear arm will tend to make the rear end feel more "locked in" and less responsive. Making this change to the outer hole requires you to remove the downtravel limiters from the rear shocks.

Rear Ride Height:

The rear ride height setting you should use most often is 20 mm (the rear arms appear level when looking from the rear). Check the ride height by lifting up the entire car about 8-12 inches off the bench and drop it. After the suspension "settles" into place, raise or lower the shock collars as necessary until there is 20 mm gap from the bottom of the chassis to the ground. Note: Check the ride height gap at the rear end of the carbon fiber chassis, not at the rear chassis plate which is raised for more ground clearance. The chassis should look level from the side.

Ackerman:

"Ackerman" refers to the relative angle difference between the front wheels as they are turned to steer the car. More ackerman means that there is a greater difference in angle between the wheels, and the less ackerman you have the closer the wheels steer parallel to each other. The ackerman on the B44.3 can be adjusted by moving the steering rack ballstud forwards or back on the steering rack.

The steering ballstud in the back position on the rack (More Ackerman) will make the car more forgiving to drive, particularly in looser conditions.

The steering ballstud in the forward position on the rack (Less Ackerman) will make the car twitchier around center but will have more steering mid to corner exit.

Steering Rack:



Battery Placement:

The B44.3 battery cradle allows for quick battery spacing adjustment to fine tune the front to back weight distribution as needed. A simple rule of thumb to follow is, if your car pushes through the corner, shift the battery back & if it oversteers in the corner, move the battery forward.

Weight Bias / Motor Orientation:

Running the saddle pack configuration positions the motor forward and overall has a more forward weight bias than the shorty battery configuration. The weight bias will vary depending on electronics and battery orientation.

Typically a more forward weight bias on higher grip surfaces and more rearward weight bias on lower grip surfaces.

Gear Diff Tuning:

Center:

The center diff has the greatest influence in how the car accelerates and the feel of rear end grip. As the center diff is tuned with thicker oils it will differentiate less and begin to act more like a slipper or even a spool, and improve straight line acceleration. When using thinner center diff oils, the car can transfer power from either front or back more easily. Therefore when accelerating you transfer power to the front due to the weight transfer to the back.

As a result the rear end will usually be more stable and less likely to step out. Typically thicker fluids are used on higher traction surfaces and thinner on lower bite/ loose surfaces.

Front/ Rear:

When using thicker fluid the car will be less nimble rotating/ steering but it will be a little smoother putting down power in a straight line. The thinner oil will give the feeling more traction and have more steering but can 'walk' and have a little more instability under hard acceleration due to wheel spin on any corner of the car.

Ball Differential (Option):

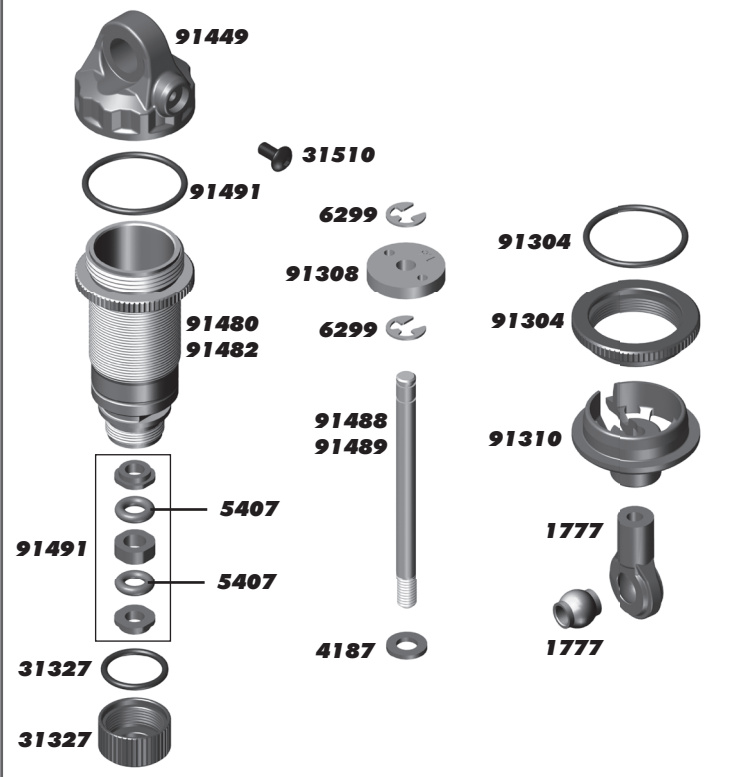
Adjust the differential [A.K.A. 'diff' for short] as noted in the assembly instructions. Adjusting the rear diff is not meant to be a tuning option. If you can hear the diff making a "barking" or "chirping" sound on jump landings or under acceleration, either your diff is set too loose or your slipper clutch is set too tight. The front diff can go out 1/16" turn to get more steering.

Slipper Clutch (Option):

The assembly instructions give you a base setting for your clutch. To preserve the differentials, always start with the slipper on the loose side and slowly tighten the adjustment nut until it is set. To adjust the slipper, remove the body and insert a 2mm (or 5/64") hex wrench through the center of the top deck (or through the bottom slot in the chassis). Then, grab both of the rear wheels and rotate forwards to tighten and backwards to loosen. As you spin the wheels, you'll feel the motor click every 1/4 of a wheel revolution. At the track, tighten or loosen the nut in 2 click increments until you hear only a faint slipping sound for 1-2 feet on takeoffs.

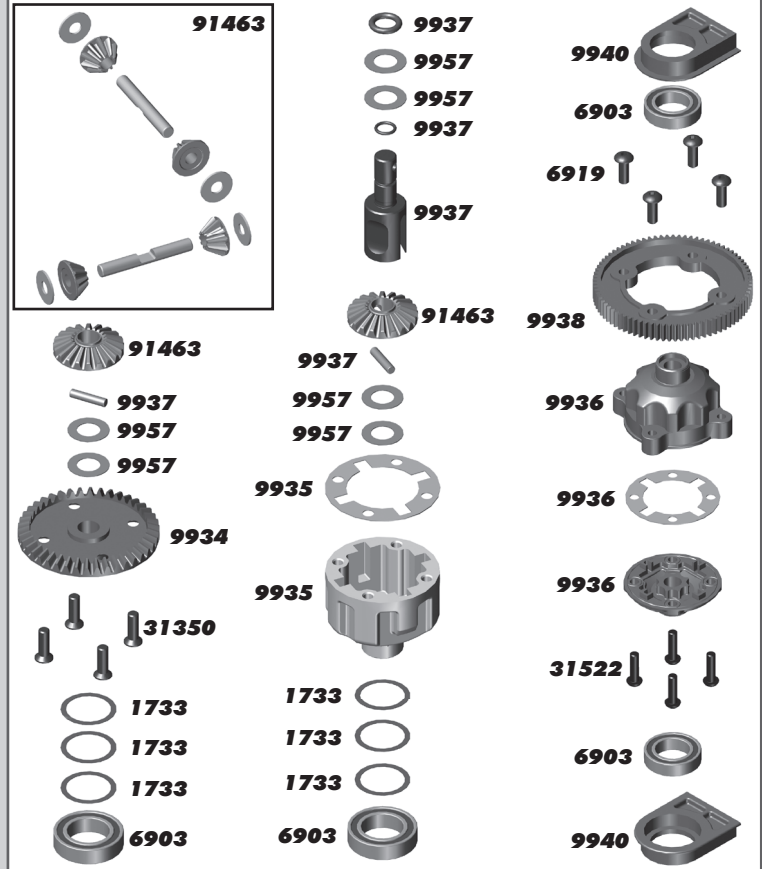
:: Shocks

1777 FT Blue Aluminum Shock Pivot Ball with Eyelet	4
4187 .030 Nylon Washer	12
5407 Red O-Rings	8
6299 E-Clip	12
31327 VCS3 Shock Bottom Cap and O-Ring	2 ea.
31510 M2 x 4mm BHCS	6
91304 12MM Threaded Collar and O-Ring	2
91308 12MM Shock Pistons, (1.5, 1.6, 1.7)	4 ea.
91310 12MM Shock Spring Cups (+0mm, +5mm, +9mm)	4 ea.
91449 12MM V2 Composite Shock Cap w/O-ring and bleeder screw	4
91480 12x23MM V2 Shock Bodies	2
91482 12x31MM V2 Shock Bodies	2
91488 3x21MM Shock Shaft	1
91489 3x27.5MM Shock Shaft	1
91491 12MM V2 Shock Rebuild Kit	1
91496 12x23B/21S V2 Shock Kit (B5 Front)	2
91498 12x31B/27.5S V2 Shock Kit (B5 Rear)	2



:: Gear Differentials

1733 Heavy Duty One-Way Shim	8
6903 3/8 x 5/8. PTFE Sealed Bearing	2
6919 4-40 x 5/16 BHCS	6
9934 B44.3 FT Ring Gear	1
9935 B44.3 FT F/R Diff Case	1
9936 B44.3 FT Center Diff Case	1
9937 B44.3 FT Gear Diff Outdrives	2
9938 B44.3 FT 81T Spur, Gear Diff	1
9940 B44.3 FT Center Bearing Inserts	2ea.
9948 B44.3 FT F/R Gear Diff, Complete	1
9949 B44.3 FT Center Gear Diff, Complete	1
9957 B44.3 FT Diff Shim Kit	1
31350 2.5 x 10mm FHCS	6
31522 2.5 x 10mm BHCS	6
91463 Gear Diff Rebuild Kit	1



:: Shock Springs

91325 12MM Front SPRING BRN 2.85	Pr.
91326 12MM Front SPRING BLK 3.00	Pr.
91327 12MM Front SPRING GRN 3.15 - Kit	Pr.
91328 12MM Front SPRING WHT 3.30	Pr.
91329 12MM Front SPRING GRY 3.45	Pr.
91330 12MM Front SPRING BLU 3.60	Pr.
91331 12MM Front SPRING YLW 3.75	Pr.
91332 12MM Front SPRING RED 3.90	Pr.
91333 12MM Front SPRING ORN 4.05	Pr.
91334 12MM Front SPRING PRL 4.20	Pr.
91335 12MM Rear SPRING BLK 1.90	Pr.
91336 12MM Rear SPRING GRN 2.00	Pr.
91337 12MM Rear SPRING WHT 2.10 - Kit	Pr.
91338 12MM Rear SPRING GRY 2.20	Pr.
91339 12MM Rear SPRING BLU 2.30	Pr.
91340 12MM Rear SPRING YLW 2.40	Pr.
91341 12mm Big Bore Front Soft Spring Kit	1
91342 12mm Big Bore Front Medium Spring Kit	1
91343 12mm Big Bore Front Hard Spring Kit	1
91344 12mm Big Bore Rear Soft Spring Kit	1
91345 12mm Big Bore Rear Medium Spring Kit	1



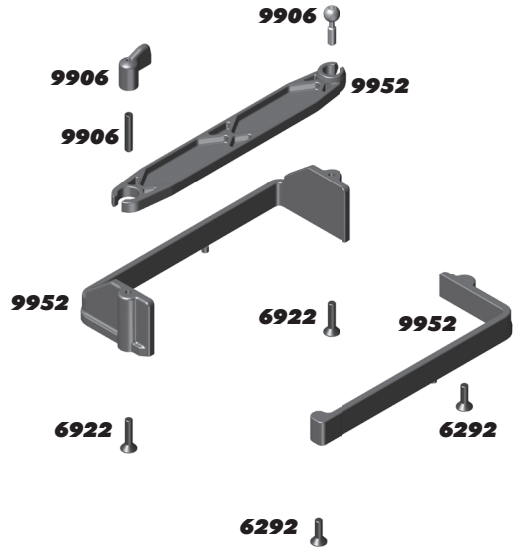
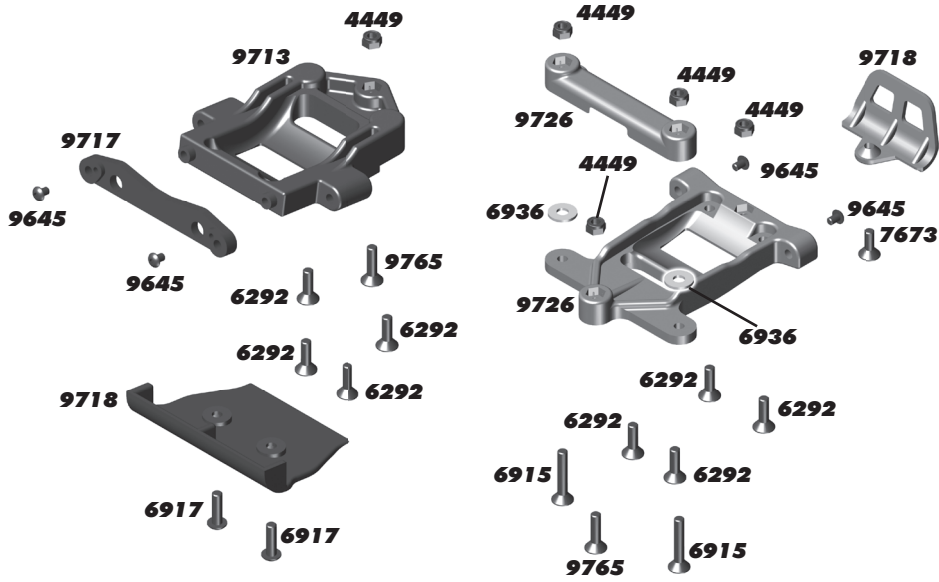
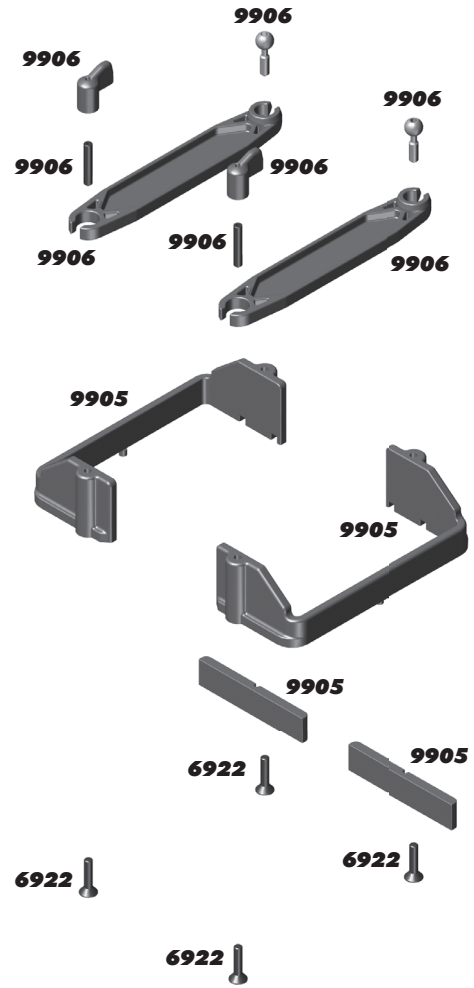
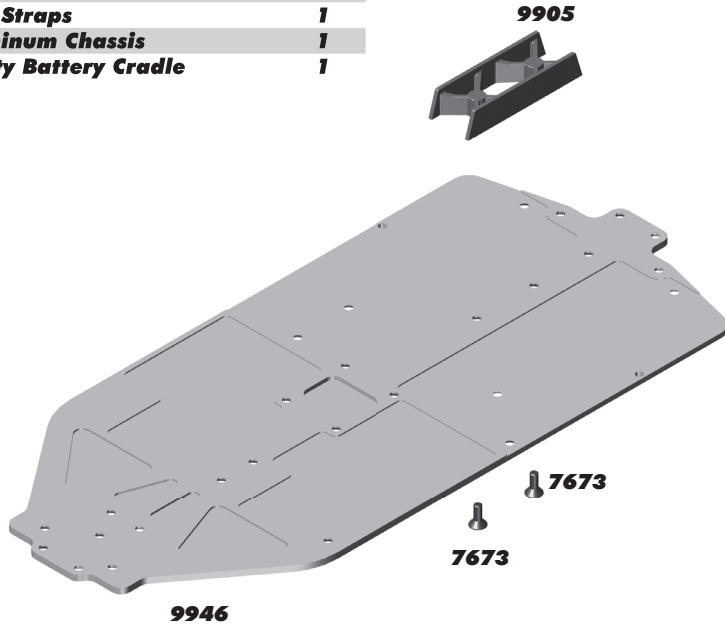
:: Shock Fluid

5420 10 Weight Silicone Shock Fluid	2oz.
5421 20 Weight Silicone Shock Fluid	2oz.
5422 30 Weight Silicone Shock Fluid	2oz.
5423 40 Weight Silicone Shock Fluid	2oz.
5424 22.5 Weight Silicone Shock Fluid	2oz.
5425 80 Weight Silicone Shock Fluid	2oz.
5426 27.5 Weight Silicone Shock Fluid	2oz.
5427 15 Weight Silicone Shock Fluid	2oz.
5428 25 Weight Silicone Shock Fluid	2oz.
5429 35 Weight Silicone Shock Fluid	2oz.
5430 45 Weight Silicone Shock Fluid	2oz.
5431 55 Weight Silicone Shock Fluid	2oz.
5432 32.5 Weight Silicone Shock Fluid	2oz.
5433 37.5 Weight Silicone Shock Fluid	2oz.
5434 42.5 Weight Silicone Shock Fluid	2oz.
5435 50 Weight Silicone Shock Fluid	2oz.
5436 60 Weight Silicone Shock Fluid	2oz.
5437 70 Weight Silicone Shock Fluid	2oz.
5438 47.5 Weight Silicone Shock Fluid	2oz.



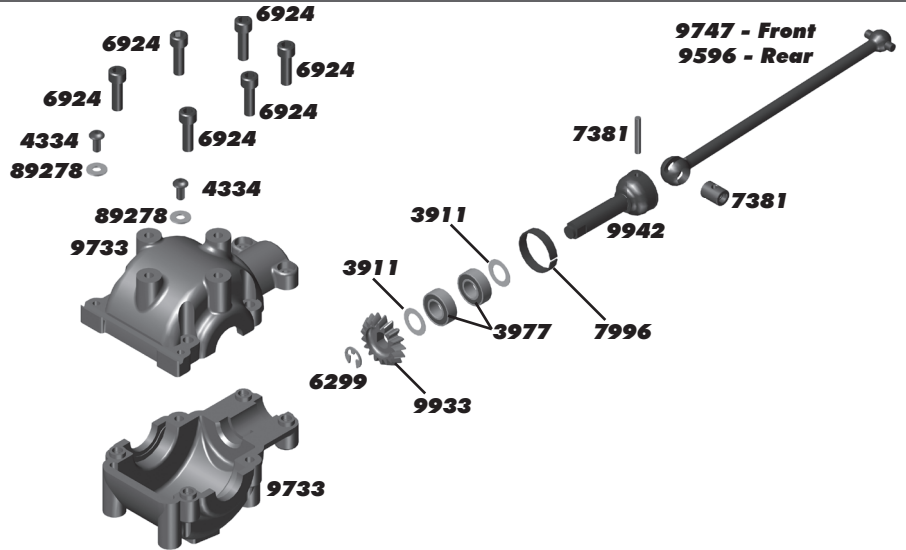
:: Chassis and Battery Mounts

4449	4-40 x 3/16" Alum. Locknut	5
6292	4-40 x 3/8" FHCS	6
6915	4-40 x 5/8" FHCS	6
6917	4-40 x 3/8" BHCS	6
6922	4-40 X 1/2" FHCS	6
6936	Washers, Alum. #4	10
7673	4-40 x 5/16" FHCS	6
9645	2-56 x 1/8" BHCS	4
9713	B44 Front Bulkhead	1
9717	Front Hinge Pin Brace	1
9718	B44 Front & Rear Bumper	1 ea.
9726	B44 Rear Chassis Plate, 3° arm mount	1
9765	4-40 x 7/16" FHCS	6
9905	B44.2 Battery Cradle	1
9906	B44.2 Battery Straps	1
9946	B44.3 FT Aluminum Chassis	1
9952	B44.3 FT Shorty Battery Cradle	1



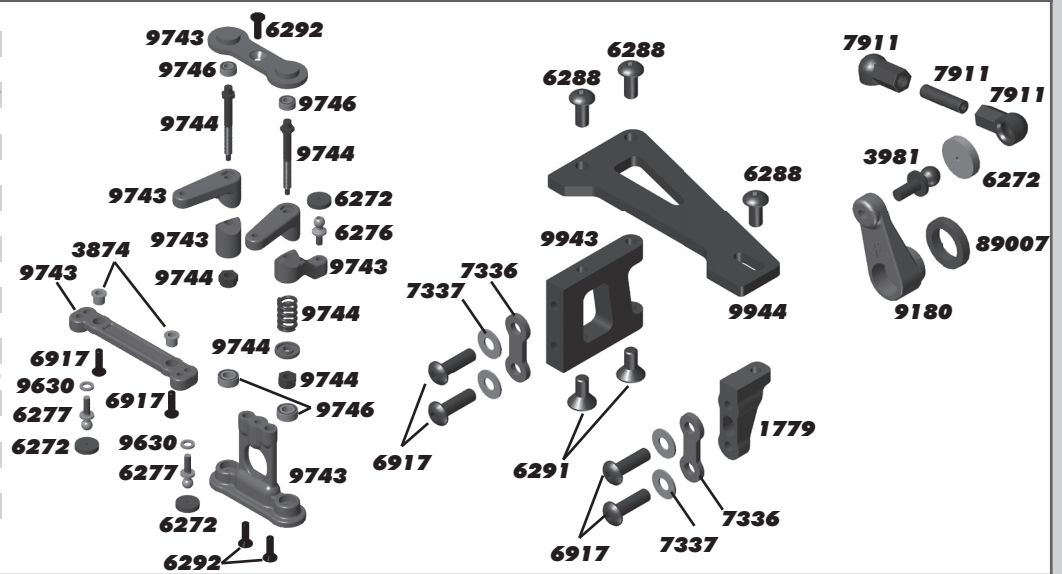
:: Front and Rear Gearboxes

3911	Trans. Shim Set	1
3977	3/16 x 3/8" RS Ball Bearing	2
4334	2-56 x 5/16" BHCS	8
6299	1/8" Small E-Clips	12
6924	4-40 x 3/8" SHCS	6
7381	CVD Rebuild Kit	1
7996	CVA Pin Retainer	2
9596	SC10/T4 CVA Bone	2
9733	B44 Transmission Case	1
9747	B44 Front CVA Bone	2
9933	B44.3 FT Input Pinion Gear	1
9942	B44.3 FT Input Shaft, Gear Diff	2
9947	Center CVA Kit (Use with Optional Slipper ONLY)	1
89278	Washer, 2.5mm	20



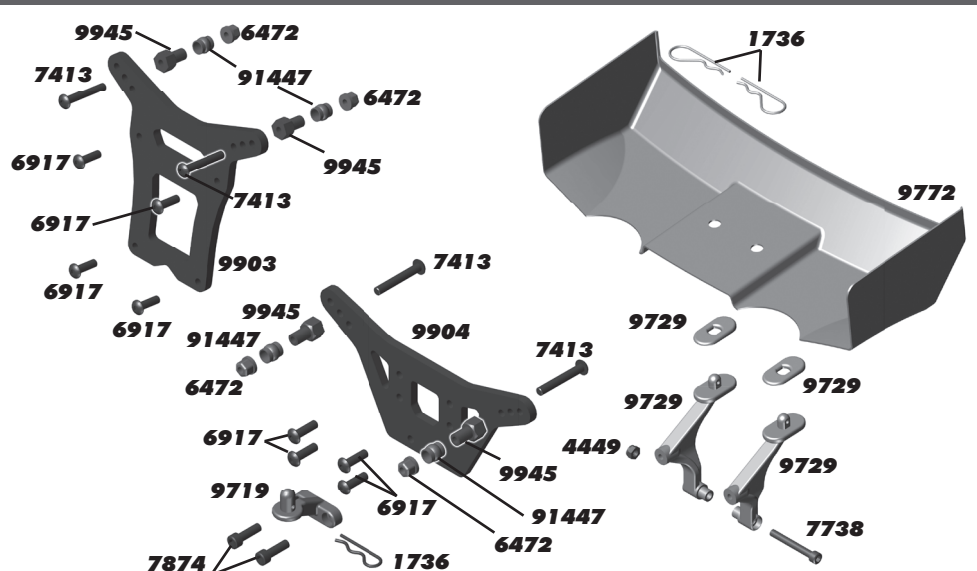
:: Steering

1779	FT Servo Mount, blue	0
3874	Block Carrier Bushings	4
3981	Ballstud .20" Black, short	6
6272	Foam Ballend Dust Covers	28
6276	Ballstud .20" Silver, short	6
6277	Ballstud .30" Silver, short	6
6288	4-40 x 1/4" BHCS	6
6291	4-40 x 1/4" FHCS	6
6292	4-40 x 3/8" FHCS	6
6917	4-40 x 3/8" BHCS	6
7336	Steering Servo Mount Kit	1
7337	.250 x .125 x .015" Washer	4
7911	Steering Servo Link	1
9180	Servo Horns, Molded	1
9630	Ballstud Washer	10
9743	B44 Steering Set	1
9744	B44 Steering Hardware	1
9746	B44 Steering Bearing Set	1
9943	FT Floating Servo Mount	1
9944	FT Floating Servo Brace	1
89007	Steering Servo Ring, blue	1



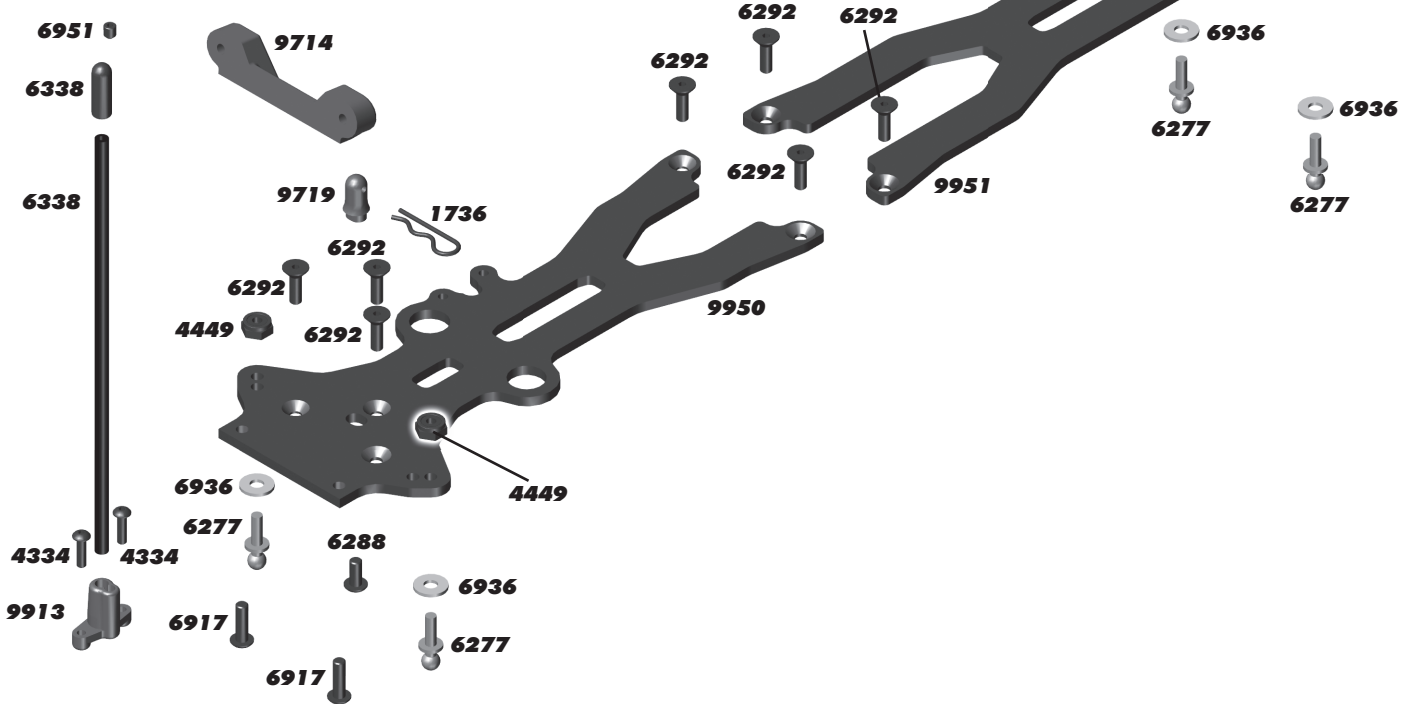
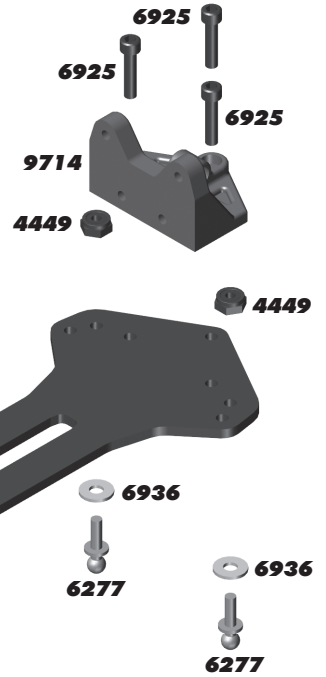
:: Front and Rear Shock Towers

1736	FT Body Clips, Short, blue	6
4449	4-40 x 3/16" Alum. Locknut	5
6472	4-40/5-40 Plastic Nut	4
6917	4-40 x 3/8" BHCS	6
7413	4-40 x 3/4" BHCS	6
7738	4-40 x 7/8" SHCS	6
7874	4-40 x 7/16" SHCS	8
9719	B44 Body Mounts	1
9729	B44 Wing Mounts	1
9772	High Downforce Wing 6.5"	1
9903	B44.2 Front Shock Tower	1
9904	B44.2 Rear Shock Tower	1
9945	V2 Aluminum Shock Bushing	4
91447	Shock Bushing Ball	4



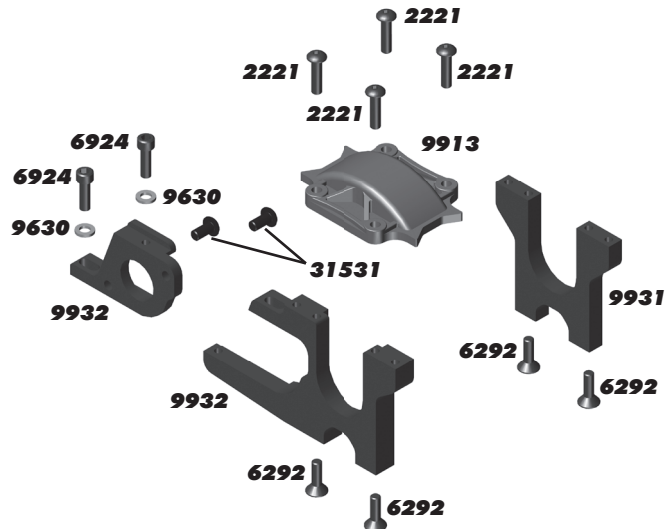
:: Front and Rear Top Plates

1736	FT Body Clips, Short, blue	6
4334	2-56 x 5/16" BHCS	8
4449	4-40 x 3/16" Alum. Locknut	5
6277	Ballstud .30" Silver, short	6
6288	4-40 x 1/4" BHCS	6
6292	4-40 x 3/8" FHCS	6
6338	Antenna Tube 12", black	1
6917	4-40 x 3/8" BHCS	6
6925	4-40 x 1/2" SHCS	6
6936	Washers, Alum. #4	10
6951	4-40 X 1/8" Set Screw	6
9714	B44 Shock Tower Mounts	1
9719	B44 Body Mounts	1
9913	Antenna Mount	1
9950	B44.3 FT Front Top Deck	1
9951	B44.3 FT Rear Top Deck	1



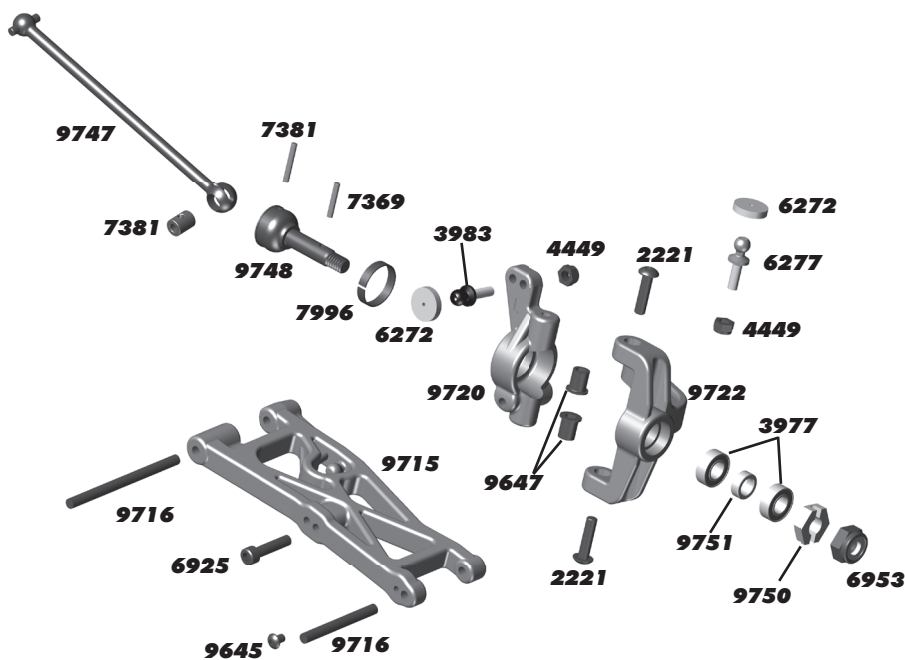
:: Center Bulkhead and Motor Mount

2221	4-40 x 7/16" BHCS	6
6292	4-40 x 3/8" FHCS	6
6924	4-40 x 3/8" SHCS	6
9630	Ballstud Washer	10
9913	B44.2 Center Bulkhead Brace	1
9931	B44.3 FT Center Bulkhead	1
9932	B44.3 Motor Mount	1
31531	M3 x 6mm BHCS	6



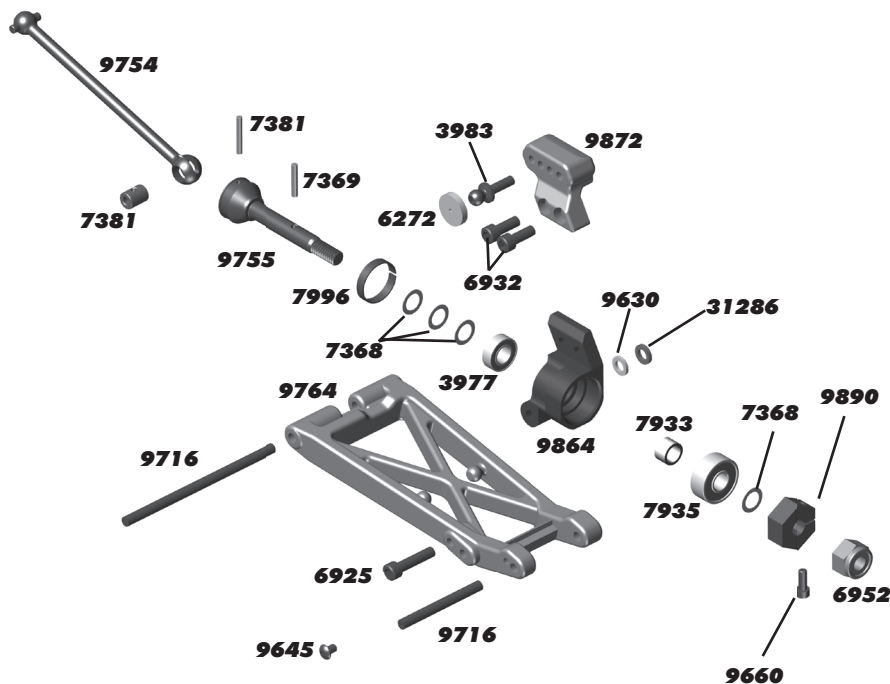
:: Front Suspension

2221	4-40 x 7/16" BHCS	6
3977	3/16 x 3/8" RS Ball Bearing	2
3983	Ballstud .30" Black, short	6
4449	4-40 x 3/16" Alum. Locknut	5
6272	Foam Ballend Dust Covers	28
6277	Ballstud .30" Silver, short	6
6925	4-40 X 1/2" SHCS	6
6953	8-32 LP Steel Locknut	6
7369	1/16" Universal Roll Pins	4
7381	CVD Rebuild Kit	1
7996	PosiLock QC Pin Retainer	2
9645	2-56 x 1/8" BHCS	6
9647	B44 Steering Block Bushing	4
9715	B44 Front Arms	Pr.
9716	B44 Hinge Pin Set	1
9720	B44 Caster Block	Pr.
9722	B44 Steering Block	Pr.
9747	B44 Front CVA BoneB44	2
9748	Front CVA Axle	2
9749	FT Front CVA Kit	1
9750	B44 Axle Drive Hex	2
9751	B44 Front Crush Tube	2



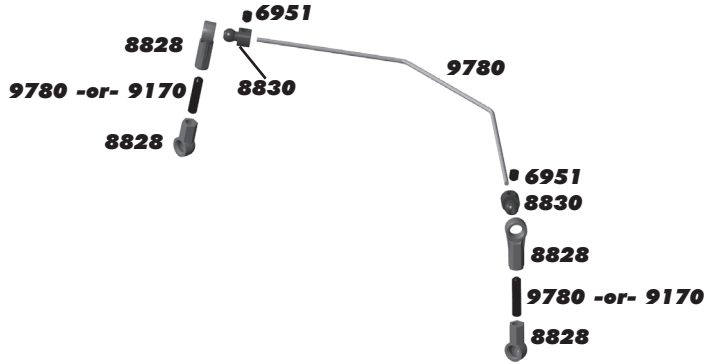
:: Rear Suspension

3977	3/16 x 3/8" RS Ball Bearing	2
3983	Ballstud .30" Black, short	6
6272	Foam Ballend Dust Covers	28
6925	4-40 X 1/2" SHCS	6
6932	4-40 x 5/16" SHCS	6
6952	8-32 Locking Nut, Steel	6
7368	3/16" Axle Shims	14
7369	1/16" Universal Roll Pins	4
7381	CVD Rebuild Kit	1
7933	Crush Tube GT2	2
7935	.187 x .50 x .196" Bearing	2
7996	PosiLock QS Pin Retainer	2
9630	Ballstud Washer	10
9645	2-56 x 1/8" BHCS	6
9660	2-56 x 7/32" SHCS	6
9716	B44 Hinge Pin Set	1
9754	B44 Rear CVA Bone	2
9755	CVA Axle, rear	1
9756	FT Rear CVA Kit	1
9764	B44 Rear Arm	Pr.
9864	B44 FT Aluminum Hub, 0°	Pr.
9872	B44 FT Aluminum Hub Tower Set	1
9890	12mm Aluminum Clamping Wheel Hex, Buggy Rear	2
31286	Alum. Ballstud Washer (1mm, 2mm)	4 ea.



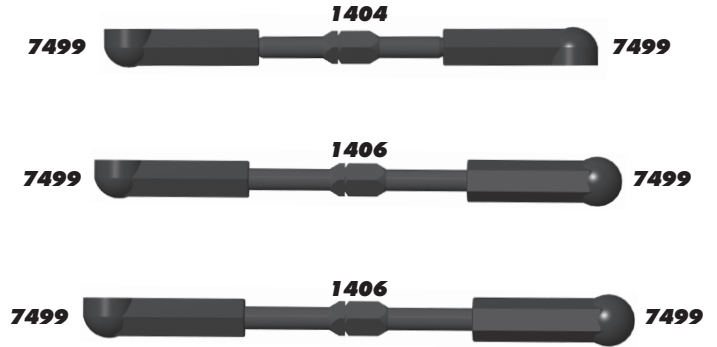
:: Anti-Roll Bars

6951	4-40 x 1/8" Set Screw	6
8828	Anti Roll Bar Cups, Set	1
8830	Anto Roll Bar Pivots (with setscrews), Set	1
9170	Adjustable Servo Link (contains setscrew)	1
9780	B44 Anti Roll Bar Kit	1



:: Turnbuckles

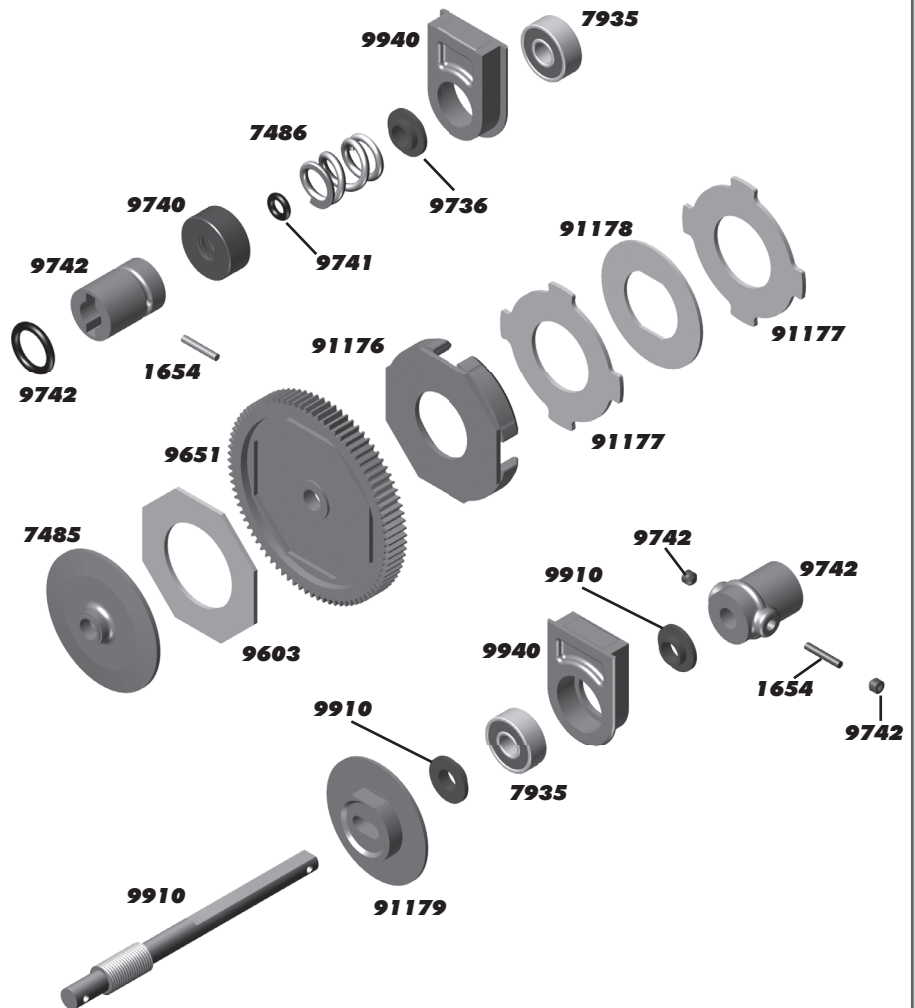
1404	FT Blue Titanium Turnbuckles 1.775" / 45mm	Pr.
1406	FT Blue Titanium Turnbuckle 2.00 / 51mm"	Pr.
7499	FT Low Friction Ball Cups	12



:: Optional Slipper / Spur Gears / Pinions

1654	FT Axle Pins	4
7485	FT V2 Slipper Hubs	2
7486	FT V2 Slipper Spring and Washer	1
7935	.187 x .50 x .196" Bearing	2
9603	Slipper Pad	2
9649	72T 48P Spur Gear	1
9650	75T 48P Spur Gear	1
9651	81T 48P Spur Gear (Kit)	1
9652	78T 48P Spur Gear	1
9653	84T 48P Spur Gear	1
9740	B44 Slipper Nut	1
9741	Slipper Nut O-Ring	6
9742	B44 Slipper Drive Cups	1
9910	B44.2 Slipper Shaft	1
9940	B44.3 FT Center Bearing Inserts	2ea.
9947	Center CVA Kit (Slipper)	1
91175	FT VTS Slipper Conversion	1
91176	VTS Slipper Housing	1
91177	VTS Slipper Pads	2
91178	VTS Slipper Plate	1
91179	FT VTS Slipper Hub, outer	1

OPTIONAL VTS SLIPPER



:: Pinions

8253	16T 48P Pinion Gear	1
8254	17T 48P Pinion Gear	1
8255	18T 48P Pinion Gear	1
8256	19T 48P Pinion Gear	1
8257	20T 48P Pinion Gear	1
8258	21T 48P Pinion Gear	1
8259	22T 48P Pinion Gear	1
8260	23T 48P Pinion Gear	1
8261	24T 48P Pinion Gear	1
8262	25T 48P Pinion Gear	1
8263	26T 48P Pinion Gear	1
8264	27T 48P Pinion Gear	1
8265	28T 48P Pinion Gear	1
8266	29T 48P Pinion Gear	1
8267	30T 48P Pinion Gear	1
8268	31T 48P Pinion Gear	1
8269	32T 48P Pinion Gear	1
8270	33T 48P Pinion Gear	1
8271	34T 48P Pinion Gear	1
8272	35T 48P Pinion Gear	1

:: Factory Team and Option Parts

1404	Ti Turnbuckle 1.775" Blue	2
1406	Ti Turnbuckle 2.00" Blue	2
1411	Ti Turnbuckle 0.75" Blue	2
1654	FT Solid Axle Pins	4
1734	FT Blue Body Clips, 4 Long, 6 Short	1
1735	FT Blue Body Clips, Long	4
1736	FT Blue Body Clips, Short	6
1777	FT Blue Aluminum Ball/Eyelet Set	1
1779	FT Servo Mount Blue Aluminum	2
1780	FT Aluminum Shock Bushing	4
1787	Battery Strap Thumbscrew	2
3911	Transmission Shim Set	1
6584	3/32" Ceramic Diff Balls	12
6860	4-40 x 3/8" SH Screw, Blue Alum.	6
6906	3/16 x 3/8" PTFE Bearings	Pr.
6937	FT Blue 4-40 Locknuts	6
6943	FT Blue 8-32 Locknuts	4
9695	Buggy Rear Wheel Hex, white	2
9696	Buggy Rear Wheel Hex, yellow	2
9733	Transmission Case, top and bottom	1
9734	FT Outdrive (for use with optional ball diff)	1
9735	FT Complete Diff Kit	1
9742	Slipper Drive Cup	1
9767	Buggy 4WD Front 10mm Wheel Hex, white	2
9768	Buggy 4WD Front 10mm Wheel Hex, yellow	2
9776	FT B44.1 Ballast Weight	1
9779	FT B44 Complete Bearing Set	1
9783	B44 Aluminum Front Tower Mount	1
9784	B44 Aluminum Rear Tower Mount	1
9787	Chassis Protective Sheet	1
9795	Ti Nitride Ballstuds 4-40 x 0.20" Long	2
9796	Ti Nitride Ballstuds 4-40 x 0.30" Long	2
9797	Ti Nitride Ballstuds 4-40 x 0.40" Long	2
9798	Ti Nitride Ballstuds 4-40 x 0.20" Short	2
9799	Ti Nitride Ballstuds 4-40 x 0.30" Short	2
9864	B44 FT Aluminum Hub, 0° - Kit	Pr.
9865	B44 FT Aluminum Hub, 0.5°	Pr.
9866	B44 FT Aluminum Hub, 1°	Pr.
9867	B44 FT Aluminum Hub, 1.5°	Pr.
9872	B44 FT Aluminum Hub Tower Set	1
9873	FT Aluminum Hub Tower C, graphite	2
9915	Graphite Battery Strap	1
9916	Graphite Center Brace	1
9917	Aluminum Hub Tower A, Graphite	Pr.
9918	Aluminum Hub Tower B, Graphite	Pr.
9919	B44.2 Aluminum Screw Set	1
9925	FT 12mm Clamping Wheel Hex, Rear (narrow)	2
9941	Center CVA Kit (for Gear Differential)	1
9947	Center CVA Kit (for Slipper)	1
9953	B44.3 FT Shorty Graphite Battery Strap	1
9954	FT Front Aluminum Center Diff Cap	1
9955	B44.2 12mm Front Hex	2
9956	Front Hex Roll Pins	6
31286	FT Ballstud Washer, Aluminum 1mm, 2mm each	1
91170	FT High Torque Slipper Pad	2
91570	61mm Buggy Rear Wheel, White	2
91571	61mm Buggy Rear Wheel, Yellow	2
91574	61mm Buggy Front 4WD Wheel, White	2
91575	61mm Buggy Front 4WD Wheel, Yellow	2

:: XP Electronics

29107	XP DS1903/S1903 Metal Gear Set	1
29133	XP DS1903 Digital Servo	1
29134	XP DS1903MG Digital Servo	1
29138	XP SC500-BL Brushless ESC	1
29139	XP SC900-BL Brushless ESC	1
29141	XP SC450 Brushless ESC	1
29142	XP ESC Fan Option	1
29143	XP SC700-BL Brushless ESC	1
29144	XP SC1200-BL Brushless ESC	1
29145	XP SC1300-BL Brushless ESC	1
29166	XP DS1313 Digital Servo	1
29167	XP DS1015 Digital Servo	1
29168	XP DS1510MG Digital Servo	1
29209	Gear Set, DS1313	1
29210	Gear Set, DS1015	1
29211	Servo Case, DS1313/DS1015	1
29212	Accessory Pack, DS1313/DS1015	1
29214	TRS403-SSi 2.4GHz 4Ch Receiver	1
29215	XP2G 2.4GHz Radio System	1
29216	XP3G 2.4GHz Radio System	1
29252	XP DS1505 Metal Gear Set	1
29253	XP DS1510 Metal Gear Set	1
29254	XPSSi Receiver Antenna	1

:: Reedy Accessories

247	Sonic 540 Mach 2 Sensor w/bearing	1
248	Sonic 540 Mach 2 Steel Bearing Set	1
249	Sonic 540 Mach 2 Ceramic Bearing Set	1
250	Sonic 540 Mach 2 Insulator Set	1
604	526-S AC/DC 2S-6S LiPo/LiFe Charger	1
606	Charge Harness 2S Saddle Pack 4mm	1
607	Charge Harness 2S Standard Pack 4mm	1
611	Charge Harness 2S Standard Pack 5mm	1
616	423-S AC 35W Compact Balance Charger	1
643	Low-Profile Bullet Connector, 4mm x 14mm (2)	1
644	Low-Profile Bullet Connector, 4mm x 14mm (10)	1
645	Low-Profile Bullet Connector, 5mm x 14mm (2)	1
646	Low-Profile Bullet Connector, 5mm x 14mm (10)	1
647	Silicone Wire 12AWG-Black (1m)	1
648	Silicone Wire 14AWG-Black (1m)	1
649	Silicone Wire 16AWG-Black (1m)	1
650	Shrink Tubing (Yellow, Orange, Red, Blue, Black)	3ea.
654	4.0mm Bullet Plugs (2M, 2F)	1
655	4.0mm Bullet Plugs (2M, 10F)	1
656	4.0mm Bullet Plugs (10F)	1
657	4.0mm Bullet Plugs (100F)	1
658	4.0mm Bullet Plugs (10M)	1
659	4.0mm Bullet Plugs (30M)	1
669	5mm Bullet Connector	2
716	Reedy 09 Decal Set	1
962	Sonic 540 Case Screws	3
974	540-SL/550-SL Steel Bearing Set	1
975	540-SL/550-SL Ceramic Bearing Set	1
978	Flat Sensor Wire 70mm	1
979	Flat Sensor Wire 110mm	1
980	Flat Sensor Wire 150mm	1
981	Flat Sensor Wire 200mm	1
982	Flat Sensor Wire 270mm	1
994	Flat Sensor Wire 125mm	1
995	Flat Sensor Wire 175mm	1
996	5.0mm 1S-2S Balance Charge lead w/SP Clip	1
997	4.0mm 1S-2S Balance Charge lead w/SP Clip	1
999	Saddle Pack Balance Charge Clip	1

:: Lubes & Adhesives / Decals / Misc.

1105	FT Green Slime Shock Lube	1
1596	FT Locking Adhesive	1
1597	FT Tire Adhesive, Medium	1
5450	Silicone Diff Fluid 1,000CST	1
5451	Silicone Diff Fluid 2,000CST	1
5452	Silicone Diff Fluid 3,000CST	1
5444	Silicone Diff Fluid 4,000CST	1
5453	Silicone Diff Fluid 5,000CST	1
5446	Silicone Diff Fluid 6,000CST	1
5454	Silicone Diff Fluid 7,000CST	1
5455	Silicone Diff Fluid 10,000CST	1
5466	Silicone Diff Fluid 15,000CST	1
5456	Silicone Diff Fluid 20,000CST	1
5457	Silicone Diff Fluid 30,000CST	1
5458	Silicone Diff Fluid 60,000CST	1
5448	Silicone Diff Fluid 80,000CST	1
5459	Silicone Diff Fluid 100,000CST	1
5461	Silicone Diff Fluid 200,000CST	1
6588	Black Grease - 4cc	1
6591	S.Diff Lube - 4cc	1
6636	Silicone Grease - 4cc	1
6727	Servo Tape	2
716	Reedy 2009 Sticker Set	1
717	Reedy Powered Logo Decal	1
3816	American Bumper Sticker	1
3820	AE Logo Decal Sheet	1
3834	AE Blue Embossed Logo Sticker	2
9787	FT Chassis Protective Sheet	1
9958	B44.3 FT Decal Sheet	1



1596

:: Reedy Motors, ESC's, Servos

228	Sonic 540 Mach 2 25.5 Competition Brushless Motor	1
231	Sonic 540 Mach 2 21.5 Competition Brushless Motor	1
232	Sonic 540 Mach 2 17.5 Competition Brushless Motor	1
233	Sonic 540 Mach 2 13.5 Competition Brushless Motor	1
233S	Sonic 540/540 Mach 2 Stator 13.5	1
234	Sonic 540 Mach 2 10.5 Competition Brushless Motor	1
235	Sonic 540 Mach 2 9.5 Competition Brushless Motor	1
236	Sonic 540 Mach 2 8.5 Competition Brushless Motor	1
237	Sonic 540 Mach 2 8.0 Competition Brushless Motor	1
238	Sonic 540 Mach 2 7.5 Competition Brushless Motor	1
239	Sonic 540 Mach 2 7.0 Competition Brushless Motor	1
240	Sonic 540 Mach 2 6.5 Competition Brushless Motor	1
241	Sonic 540 Mach 2 6.0 Competition Brushless Motor	1
242	Sonic 540 Mach 2 5.5 Competition Brushless Motor	1
243	Sonic 540 Mach 2 5.0 Competition Brushless Motor	1
244	Sonic 540 Mach 2 4.5 Competition Brushless Motor	1
245	Sonic 540 Mach 2 4.0 Competition Brushless Motor	1
246	Sonic 540 Mach 2 3.5 Competition Brushless Motor	1
941S	Sonic 540/540 Mach 2 Stator 17.5	1
954	Sonic 540 Stock Rotor 12.3 x 24.2 (7.25)	1
955	Sonic 540 Stock Rotor 12.3 x 25.0 (7.25)	1
956	Sonic 540 Stock Rotor 12.5 x 25.0 (7.25)	1
957	Sonic 540 Modified Rotor 12.2 x 25.0 (5.0)	1
958	Sonic 540 Modified Rotor 12.5 x 25.0 (5.0)	1
987	Sonic 540 Modified Rotor 13.0 x 25.0 (5.0)	1
27000	Blackbox 410R 1S-2S Competition ESC	1
27001	Blackbox 410R 1S-2S Competition ESC w/PROgrammer	1
27020	Blackbox ESC PROgrammer	1
27021	Blackbox 410R Fan w/Screws	1
27022	Blackbox 410R Heavy-Duty Capacitor Unit	1
27023	Blackbox 410R XL Capacitor Unit	1
27024	Blackbox 410R Pro Capacitor Unit	1
27025	Blackbox ESC PROgrammer Wire Extension	1
27100	RS1206 Digital HV Hi-Speed Competition Servo	1
27101	RT1508 Digital HV Hi-Speed Competition Servo	1
27102	RS1206 Servo Case Set w/screws	1
27103	RS1206 Servo Gear Set	1
27104	RT1508 Servo Case Set w/screws	1
27105	RT1508 Servo Gear Set	1
29180	Reedy SC800-BL Sensorless Brushless ESC	1

:: Reedy Batteries

302	AA Alkaline 1.5V (4)	1
304	LiPo Pro TX/RX Battery 1600mAh 7.4V Flat	1
305	LiFe Pro TX/RX Battery 1300mAh 6.6V Flat	1
309	LiPo 65C 7000mAh 7.4V	1
310	LiPo 65C 5700mAh 7.4V SP	1
312	LiPo 65C 7000mAh 3.7V	1
313	LiPo 65C 7000mAh 7.4V 5mm	1
314	LiPo 65C 5800mAh 7.4V SQ	1
315	LiPo Pro TX/RX Battery 2100mAh 7.4V Flat	1
316	LiPo 65C 5000mAh 7.4V	1
317	LiPo 50C 5200mAh 7.4V SQ	1
602	LiPo 65C 4100mAh 7.4V Shorty	1
637	LiPo TX Battery - M11X 2500mAh 7.4V	1
737	Wolfpack LiPo 4800mAh 7.4V 25C S.P.	1
738	Wolfpack LiPo 3800mAh 7.4V 25C Shorty	1
739	Wolfpack LiPo 5500mAh 7.4V 60C	1

:: Qualifier Series Vehicles

7062	Pro SC 4x4 RTR, 1/10 Scale (ready-to-run)	1
7070	Pro Rally 4wd RTR, 1/10 Scale (ready-to-run)	1
20111	Rival Mini Monster Truck 1/18 Scale (ready-to-run)	1
20119	APEX Mini Touring 1/18 Scale (ready-to-run)	1
20510	RIVAL Electric Monster Truck RTR, 1/8 Scale (ready-to-run)	1
30112	APEX Touring V-Type, 1/10 Scale (ready-to-run)	1
30113	APEX Scion Racing FR-S 1/10 Scale (ready-to-run)	1
30113D	APEX Scion Racing FR-S Drift 1/10 Scale (ready-to-run)	1
30114	APEX Scion Racing tC 1/10 Scale (ready-to-run)	1
30115	APEX Lexus RC F, 1/10 Scale (ready-to-run)	1

:: 1/18 Kits and RTR's

20103	RC18B2 - RC18T2 Team Kit	1
20121	SC18 RTR Brushless (ready-to-run)	1

:: 1/12, 1/10 Kits and RTR's

4020	FT 12R5.2 Kit	1
7025	FT RC10T4.2 Kit	1
7030	SC10 KMC Wheels Race Truck RTR (ready-to-run)	1
7038	FT SC10.2 Kit	1
7039	RC10T4.2 RS RTR 2.4GHz Brushless (ready-to-run)	1
7046	SC10 RS RTR, Lucas Oil (ready-to-run)	1
7049	SC10 RS RTR, Rockstar/Makita (ready-to-run)	1
7093	SC10GT RTR (ready-to-run)	1
9042	RC10B4.2 RS RTR 2.4GHz Brushless (ready-to-run)	1
9050	SC10B RS RTR (ready-to-run)	1
9063	FT B44.3 4WD Buggy Kit	1
30101	TC4 Club Racer 4WD Touring Car Race Roller	1
30109	FT TC6.2 Kit	1
90001	RC10B5 Team Kit	1
90003	RC10B5M Team Kit	1

:: 1/8 Kits and RTR's

20501	MGT 4.60 SE RTR (ready-to-run)	1
20502	MGT 8.0 Nitro RTR (ready-to-run)	1
20503	Limited Edition MGT 4.60 Nitro RTR, w/flag body (ready-to-run)	1
20504	Limited Edition MGT 8.0 Nitro RTR, w/flag body (ready-to-run)	1
80907	RC8.2e Electric Buggy FT Kit	1
80908	RC8.2e Electric Buggy RTR (ready-to-run)	1
80909	RC8.2RS Nitro Buggy RTR (ready-to-run)	1
80912	RC8T Championship Edition	1

:: Apparel

SP17**	AE INT'L T-Shirt - Black (S, M, L, XL-5XL)	1
SP18**	AE INT'L T-Shirt - White (S, M, L, XL-5XL)	1
SP19**	AE INT'L Hoodie - Black (S, M, L, XL-3XL)	1
SP20	AE Patch Trucker Hat	1
SP22**	Reedy Vintage '81 T-Shirt - Blue (S, M, L, XL-3XL)	1
SP23**	AE Splash T-shirt - Black (S, M, L, XL-5XL)	1
SP24**	AE Splash T-shirt - Blue (S, M, L, XL-5XL)	1
SP31**	27 Time WC T-shirt - Black (S, M, L, XL-3XL)	1
SP32**	AE Kids T-shirt - Blue (S, M, L)	1
SP37**	Reedy 2012 T-shirt - Black (S, M, L, XL-3XL)	1
SP38	Reedy Trucker Hat	1
SP39	Reedy Patch	1
SP79**	AE 2012 T-Shirt, Black (S, XL, 2XL)	1
SP84**	Reedy 3D T-Shirt, Black (S, M, L, XL-3XL)	1
SP87**	AE 2013 Zip Hoodie (S, M, L, XL-3XL)	1
SP90**	AE Retro T-shirt, Blue (S, M, L, XL-5XL)	1
SP91**	AE Retro T-shirt, Black (S, M, L, XL-5XL)	1
SP92**	AE Retro T-shirt, White (S, M, L, XL-5XL)	1
SP93**	AE 2013 Worlds T-shirt - Blue (S, M, L, XL-5XL)	1
SP94**	AE 2013 Worlds T-shirt - Black (S, 3XL, 5XL)	1
SP95**	AE 2013 Worlds Hoodie - Black (S, M, L, XL-3XL)	1
SP96**	AE Womens Retro - Pink (S, M, L, XL)	1
SP110*	Reedy R-Powered T-Shirt - Black (2XL, 3XL)	1
SP111*	Reedy W15 Sweatshirt - Black (S, M, L, XL-3XL)	1
SP420**	AE Pit Gloves (XL)	Pr.
SP421S	AE 2012 Hat, Black, Flat Bill, S/M	1
SP421L	AE 2012 Hat, Black, Flat Bill, L/XL	1
SP422S	AE 2012 Hat, Black, Curved Bill, S/M	1
SP422L	AE 2012 Hat, Black, Curved Bill, L/XL	1
SP423S	AE 2012 Hat, White, Flat Bill, S/M	1
SP423L	AE 2012 Hat, White, Flat Bill, L/XL	1
SP424S	AE 2012 Hat, White, Curved Bill, S/M	1
SP424L	AE 2012 Hat, White, Curved Bill, L/XL	1
715	Reedy 2009 Track Banner	1
110684	Team Associated Track Banner	1
110685	Team Associated Cloth Banner	1

** Use part number plus the desired size when ordering!

:: RePlay Cameras

RP004	Replay XD1080 Mini Complete Camera System	1
RP005	Replay XD PrimeX Camera System	1
RP021	Replay XD1080 Lens Bezel Kit	1
RP022	Replay XD1080 Clear Lens Cover	1
RP023	Replay XD1080 Lens Bezel & Rear Cap O-Ring	1
RP029	Replay XD1080 HDMI to Mini-HDMI	1
RP030	Replay XD1080 Mini 8-pin USB Charge Data Cable	1
RP032	USB DC Car Charger 1A Stubby	1
RP034	Micro SDHC USB Reader	1
RP036	3M VHB 4991 Mount Adhesive for SnapTray	1
RP042	Replay XD Suction Cup Short Arm Base	1
RP043	Replay XD Skateboard Mount	1
RP044	Replay XD VHB SnapTray, Convex	1
RP045	Replay XD VHB SnapTray, Flat	1
RP046	Au Plug for Universal DC Wall Charger	1
RP047	Eu Plug for Universal DC Wall Charger	1
RP048	Uk Plug for Universal DC Wall Charger	1
RP049	Universal USB DC Wall Charger 1A	1
RP050	Au Plug for Uni DC Wall Charger	1
RP054	Replay ReView Field Monitor	1
RP055	Replay PrimeX Lens 5 pack	1
RP056	Replay PrimeX HDMI Cable	1
RP057	Replay PrimeX Deep Dive Waterproof Case	1
RP058	Replay PrimeX Heim Lock Mount	1
RP059	Replay PrimeX Low Boy Mount	1
RP060	Replay PrimeX Tilt Mount	1

:: Tools

1111	FT Turnbuckle Wrench	1
1113	12mm Big Bore Shock Tool	1
1449	FT Off Road Ride Height Gauge	1
1541	FT Hex Driver Set, (7 pcs)	1
1542	FT .050" Silver Hex Driver	1
1543	FT 1/16" Black Hex Driver	1
1544	FT 1.5mm Purple Hex Driver	1
1545	FT 5/64" Blue Hex Driver	1
1546	FT 3/32" Gold Hex Driver	1
1547	FT 2.5mm Green Hex Driver	1
1548	FT 3mm Red Hex Driver	1
1553	FT Phillips Silver Screwdriver	1
1554	FT Silver Spring Hook Tool	1
1561	FT Nut Driver Set, (6 pcs)	1
1562	FT 3/16" Black Nut Driver	1
1563	FT 1/4" Red Nut Driver	1
1564	FT 5.5mm Red Nut Driver	1
1565	FT 11/32" Green Nut Driver	1
1567	FT 8mm Gold Nut Driver	1
1568	Factory Team 5.5mm Short Nut Driver	1
1569	Factory Team 7mm Nut Driver, T-Handle	1
1570	Factory Team 7.0mm Short Nut Driver	1
1589	FT 5/64" Blue Ball Hex Driver	1
1590	FT 3/32" Gold Ball Hex Driver	1
1592	FT Ball Hex Driver Set, (3 pcs)	1
1655	FT 8-Piece 1/4" Hex Drive Set	1
1656	FT 1/4" Hex Drive Handle, without tips	1
1657	FT 1/4" Hex Drive .050" Tip	1
1658	FT 1/4" Hex Drive 1/16" Tip	1
1659	FT 1/4" Hex Drive 5/64" - 2.0mm Tip	1
1660	FT 1/4" Hex Drive 3/32" Tip	1
1661	FT 1/4" Hex Drive 1.5mm Tip	1
1662	FT 1/4" Hex Drive 2.5mm Tip	1
1663	FT 1/4" Hex Drive 3/16" Nut Driver Tip	1
1664	FT 1/4" Hex Drive 1/4" Nut Driver Tip	1
1665	FT 1/4" Hex Drive 11/32" Nut Driver Tip	1
1666	FT 1/4" Hex Drive 5.5mm Nut Driver Tip	1
1667	FT 1/4" Hex Drive 7.0mm Nut Driver Tip	1
1668	FT 1/4" Hex Drive 8.0mm Nut Driver Tip	1
1669	FT 1/4" Hex Drive 5/64" - 2.0mm Ball End Tip	1
1670	FT 1/4" Hex Drive 3/32" Ball End Tip	1
1671	FT 1/4" Hex Drive Standard Screwdriver Tip	1
1672	FT 1/4" Hex Drive Phillips Screwdriver Tip	1
1673	FT 1/4" Hex Drive 2.5mm Ball End Tip	1
1674	FT 1/4" 5 Piece Power Tool Tips Set (5/64-2.0mm, 1.5mm, 2.5mm, 5/64"- 2.0mm ball, 2.5mm ball)	1
1675	FT Shock Shaft Pliers	1
1719	FT Camber + Track Width Tool	1
1737	FT Body Scissors	1
3718	12 Inch Nylon Wire Ties	12
3719	6 Inch Nylon Wire Ties	12
3720	8 Inch Nylon Wire Ties	12
3987	Composite Droop Gauge	1
6429	Shock Building Tool	1
6956	Molded Tools, Set	1
7494	V2 Stamped Multi-tool	1
7709	4 Inch Nylon Wire Ties	12

Associated Electrics, Inc.
26021 Commercentre Drive
Lake Forest, CA 92630-8853 USA
<http://www.TeamAssociated.com>
<http://www.RC10.com>
<http://twitter/TeamAssociated>
<http://bit.ly/AEonFacebook>

call: (949) 544-7500
fax: (949) 544-7501

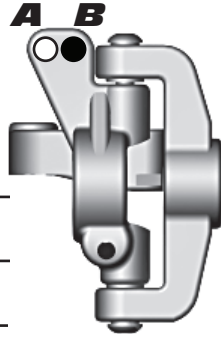
Check out the following web sites for all of our electric kits, current products, new releases, setup help, tips, and racing info!

www.TeamAssociated.com - www.RC10.com

Front Suspension

Anti Roll Bar:

0.047" Black
 0.055" Silver
 None



Bumpsteer Washer: 0

Camber: 1°

Toe: 0°

Ride Height: 21mm

Steering Rack:

Washers: 1



Steering Rack Washers: 1

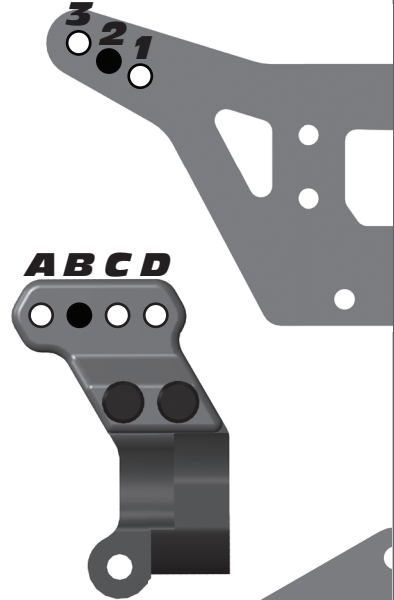


Notes: _____

Rear Suspension

Anti Roll Bar:

0.047" Black
 0.055" Silver
 None



Camber: -1°

Toe: 3°

Ride Height: 20mm

Anti-Squat: 0.030"

Aluminum Hub Tower:

A
 B
 C

Wheelbase: Washers: 1

Long
 Medium
 Short

Notes: _____

Front Shocks

Spring: Red 3.90lb Piston: 1.5
 Shock Oil: 35wt Limiter: 1 Stroke: 21mm

Rear Shocks

Spring: Green 2.00lb Piston: 1.7
 Shock Oil: 35wt Limiter: 1 Stroke: 26.5mm

Drivetrain

Slipper: Yes No
 Type: _____
 Pads: _____
 Notes: _____

Differentials

Front: 5k
 Center: 60k
 Rear: 5k
 Notes: _____

Electronics

Radio: _____
 Throttle / Brake E.P.A.: _____
 Throttle / Brake Expo: _____
 Servo: _____ Steering Expo: _____
 ESC: _____
 ESC Settings: _____
 Motor & Wind: _____
 Pinion: _____ Spur Gear: _____
 Batteries: _____
 Motor Placement: Front Back
 Battery Placement: Front Back Shorty

Tires

Tire (F/R): _____ / _____
 Compound (F/R): _____ / _____
 Insert (F/R): _____ / _____
 Wheel (F/R): _____ / _____
 Notes: _____

Other

Body Type: JConcepts Finnisher X-Flow #0266
 Wing Type: 6.5" High Downforce Wing Angle: _____

Weight

Ballast Weight: _____
 Chassis Weight: _____ Total: _____

Race and Vehicle Comments

Qualify: _____ Main: _____ Finish: _____ TQ: _____
 Comments: _____

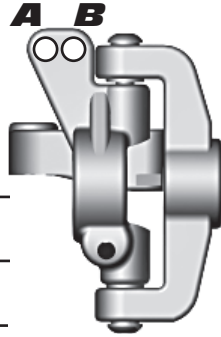
Track Info

Smooth: Bumpy: Blue Groove:
 Traction: High: Medium: Low:
 Soft Dirt: Grass: Clay: Wet:
 Dusty: Other: _____

Front Suspension

Anti Roll Bar:

- 0.047" Black
 0.055" Silver
 None



Bumpsteer
Washer: _____

Camber: _____

Toe: _____

Ride Height: _____

Steering Rack:



Washers: _____

Steering Rack
Washers: _____

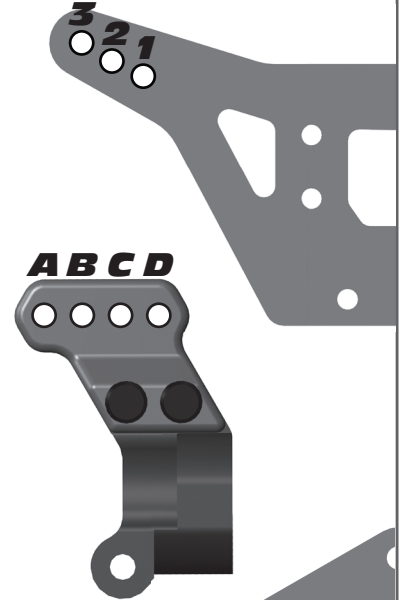


Notes: _____

Rear Suspension

Anti Roll Bar:

- 0.047" Black
 0.055" Silver
 None



Camber: _____

Toe: _____

Ride Height: _____

Anti-Squat: _____

Aluminum Hub Tower:

- A
 B
 C

Wheelbase:

- Long
 Medium
 Short

Washers: _____

Notes: _____

Front Shocks

Spring: _____ Piston: _____
 Shock Oil: _____ Limiter: _____ Stroke: _____

Rear Shocks

Spring: _____ Piston: _____
 Shock Oil: _____ Limiter: _____ Stroke: _____

Drivetrain

Slipper: Yes No
 Type: _____
 Pads: _____
 Notes: _____

Differentials

Front: _____
 Center: _____
 Rear: _____
 Notes: _____

Electronics

Radio: _____
 Throttle / Brake E.P.A.: _____
 Throttle / Brake Expo: _____
 Servo: _____ Steering Expo: _____
 ESC: _____
 ESC Settings: _____
 Motor & Wind: _____
 Pinion: _____ Spur Gear: _____
 Batteries: _____
 Motor Placement: Front Back
 Battery Placement: Front Back Shorty

Tires

Tire (F/R): _____ / _____
 Compound (F/R): _____ / _____
 Insert (F/R): _____ / _____
 Wheel (F/R): _____ / _____
 Notes: _____

Other

Body Type: _____
 Wing Type: _____ Wing Angle: _____

Weight

Ballast Weight: _____
 Chassis Weight: _____ Total: _____

Race and Vehicle Comments

Qualify: _____ Main: _____ Finish: _____ TQ: _____
 Comments: _____

Track Info

Smooth: Bumpy: Blue Groove:
 Traction: High: Medium: Low:
 Soft Dirt: Grass: Clay: Wet:
 Dusty: Other: _____



**Associated Electrics, Inc.
26021 Commercentre Dr.
Lake Forest, CA 92630 USA**

<http://www.TeamAssociated.com>

<https://www.RC10.com>

https://twitter/Team_Associated

<https://bit.ly/AEonFacebook>

call: (949) 544-7500 - fax: (949) 544-7501

**Check out the following web sites for all of our kits,
current products, new releases, setup help, tips, and racing info!
www.TeamAssociated.com - www.RC10.com**