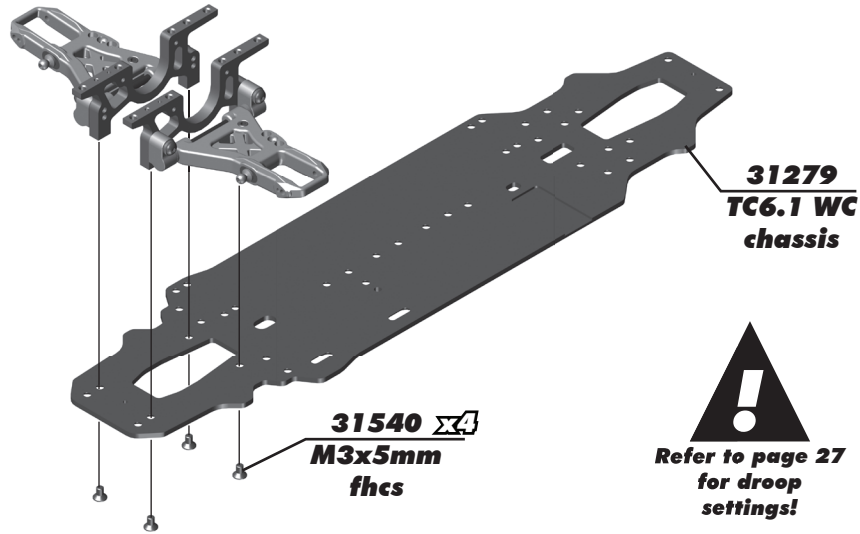
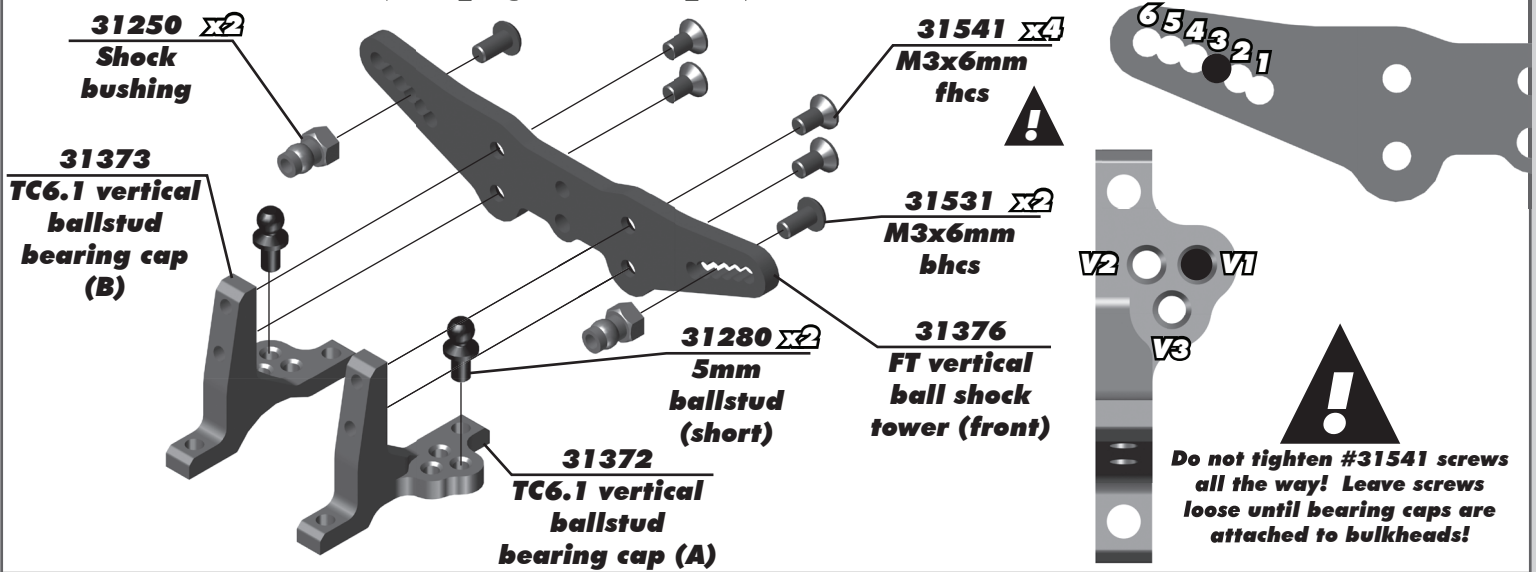


TC6.1 WC Supplement

:: Front Bulkhead Build - (See page 10 - Step 3)



:: Shock Tower Build - (See page 12 - Step 1)



:: Shock Tower Build - (See page 12 - Step 2)

