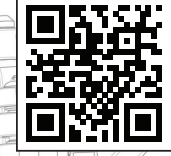


R/C B3 TEAM KIT

#80914 RC8B3 Team Kit



1:8 Scale Nitro 4WD Off Road Buggy Kit Manual & Catalog

TEAM ASSOCIATED



Designed in California, USA

:: Introduction

Thank you for purchasing this Team Associated product. This assembly manual contains instructions and tips for building and maintaining your new RC8B3 Kit. Please take a moment to read through this manual to help familiarize yourself with these steps. We are continually changing and improving our designs; therefore, actual parts may appear slightly different than in the illustrations. New parts will be noted on supplementary sheets located in the appropriate parts bags. Check each bag for these sheets before you start to build.

:: KIT Features

Features in the RC8B3 Kit:

- Front suspension features pillow ball uprights for increased adjustability and improved durability
- Light weight ring gears and optimized precision ball bearing sizing, reduces drivetrain rotational mass for improved acceleration and fuel economy
- Gearboxes feature a 3.38:1 internal gear ratio with fast access differentials for quick removal, tuning and maintenance
- Six universal drive shafts for efficient drivetrain power delivery and ease of maintenance
- Braking system features bonded pads and machined steel rotors for maximum braking force and reduced fade
- 7075-T6 aluminum 16mm "Big Bore" threaded shocks with TiN coated 3.5mm shafts, larger diameter precision springs, and optimized bladders for more precise volume compensation
- 7075-T6 aluminum shock towers front and rear feature finely tuned shock mounting and upper arm positions
- Refined suspension geometry with lower hinge pin inserts for quick and easy roll center adjustments
- Light weight one-piece wing mounts feature height and forward positioning adjustment for more precise handling
- Carbon fiber radio tray with sealed receiver box keeps dirt and debris from receiver
- Large capacity fuel tank with floating clunk filter and optimized internal baffles keep fuel flowing in the most extreme conditions
- Proline RC8B3 clear body and Team Associated molded wing included

:: Additional

Your new RC8B3 Kit comes as a kit. There are some items you will need to complete your kit (refer to catalog for suggestions):

- .21 class rear exhaust engine
- Muffler, joining pack, or manifold spring (#28045 or #28049 recommended)
- 2 channel radio/transmitter set with switch – FM/PCM/2.4GHz recommended
- Transmitter batteries (#302 recommended)
- 4.8-7.4v receiver battery pack
 - LiPo - flat style (#304, 315)
 - LiFe - flat style (#305)
 - NiMH - flat style (#613)
- Model car fuel (30% nitro recommended)
- Fuel bottle (#1748 recommended)
- Glow igniter (#1738 recommended)
- Starter box (#1751 recommended)
- 1/8th scale buggy tires
- CA (Cyanoacrylic) glue (#1597 recommended)
- Polycarbonate specific spray paint or polycarbonate specific bottled paint and airbrush
- Thread locking compound (#1596 recommended)
- Needle nose pliers
- Shock Shaft Pliers (#1675 recommended)
- Hobby knife
- Reamer/hole punch
- Ride Height Gauge (#1449 recommended)

:: Other Helpful Items

- Silicone Shock/Diff Fluids (Refer to catalog for complete listings)
- Body Scissors (AE #1737)
- FT Turnbuckle Wrench (AE #89240)
- Soldering Iron
- Wire Cutters
- FT Hex Wrenches (AE #1655)
- Calipers or Precision Ruler
- FT Nut Drivers (AE #1663-1668)
- Green Slime shock lube (AE #1105)

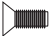











Associated Electrics, Inc.
 26021 Commercentre Dr.
 Lake Forest, CA 92630














Customer Service
 Tel: 949.544.7500
 Fax: 949.544.7501

:: Hardware - 1:1 Scale View






Flat Head (fhcs)

	2.5x6mm (4675)
	2.5x8mm (31448)
	3x6mm (31541)
	3x8mm (25201) Titanium (91592)
	3x10mm (25202) Titanium (91593)
	3x12mm (25203) Titanium (91594)
	3x14mm (89208) Titanium (91595)
	4x10mm (81262)
	4x12mm (89214)
	4x14mm (89217)
	4x16mm (81263)
	4x20mm (81264)







Button Head (bhcs)

	2.5x6mm (31520)
	2.5x8mm (31521)
	2.5x18mm (81259)
	3x6mm (31531) Titanium (91580)
	3x10mm (25211)
	3x14mm (25187) Titanium (91584)
	3x16mm (89203) Titanium (91585)
	3x20mm (25188)
	3x24mm (89204) Titanium (91589)
	4x14mm (81260)
	4x16mm (81261)






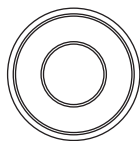
Socket Head (shcs)

	2x5mm (31511)
	2x16mm (7184)
	3x8mm (89223)
	3x10mm (25620)
	3x24mm (89225)

Set Screws

	3x3mm (25225)
	3x6mm (81257)
	3x10mm (4671)
	3x12mm (81258)
	4x4mm (7732)
	5x4mm (89221)

Ball Bearings

	5x8x2.5mm (89161)
	5x10x4mm (91560)
	6x10mm (31404)
	6x12x4mm (91561)
	8x16x5mm (91564)
	8x16x5mm flanged (91565)

:: Table of Contents

1..... Cover	16 - 17.....Center Bulkhead/ Brakes Build (Bag M, N)
2..... Introduction	17 - 18Anti-Roll Bars Build (Bag O)
3..... 1:1 Hardware "Fold Out"	19 - 20.....Shocks Build (Bag P, Q)
4..... Table of Contents	20 - 22.....Radio Tray Build (Bag R, S)
5 - 7.....Differentials Build (Bag A, B, C)	23 - 24.....Servo Horns / Linkage Build (Bag T)
7 - 8.....Steering / Chassis Build (Bag D, E)	24 - 27.....Engine / Tank Build (Bag U, V)
9 - 10.....Front Gearbox Build (Bag F, G)	28.....Wheel/Tire/Body Build (Misc. Bag)
11 - 12.....Front Uprights Build (Bag H, I)	29.....Droop Settings
12 - 14.....Rear Gearbox Build (Bag J, K)	30 - 41..... Catalog
15 - 16.....Rear Uprights / Turnbuckles Build (Bag L)	42..... Back Cover

:: Notes

This symbol indicates a special note or instruction in the manual.



This symbol indicates a Racers Tip.



Scanning this QR code will take you to Team Associated's Tech Tips videos. These videos will help you with your build and setup!



There is a 1:1 hardware foldout page in the front of the manual. To check the size of a part, line up your hardware with the correct drawing until you find the exact size. Each part in the foldout has a number assigned to it for ordering replacement parts.

**Associated Electrics, Inc.
26021 Commercentre Dr.
Lake Forest, CA 92630**



**Customer Service
Tel: 949.544.7500
Fax: 949.544.7501**

<http://www.TeamAssociated.com> • <http://www.RC10.com> • http://twitter.com/Team_Associated • <http://bit.ly/AEonFacebook>

:: Differential Build (Front and Rear) - Bag A, B, C - Step 1

89115
Diff Housing

91564
8x16x5 Bearing

89121
Diff O-Ring Set

81008
Diff Outdrives

89120
Diff Shims

89121
Diff O-Ring Set

89120
Diff Outdrive Pin

Racer's Tip:
Use black grease (#6588) to lube the O-Rings before installation!

:: Differential Build (Front and Rear) - Bag A, B, C - Step 2

89120
Diff Sun Gear

89120
Diff Planet Gears

Align pin with groove in sun gear

:: Differential Build (Front and Rear) - Bag A, B, C - Step 3

81002
Diff Ring Gear, 44T

91564
8x16x5 Bearing

89121
Diff O-Ring Set

81008
Diff Outdrives

89120
Diff Shims

89121
Diff O-Ring Set

89120
Diff Outdrive Pin

Racer's Tip:
Use black grease (#6588) to lube the O-Rings before installation!

:: Differential Build (Front and Rear) - Bag A, B, C - Step 4

89120 Diff Sun Gear

89116 Diff Gasket

89208 3x14mm FHCS

Racer's Tip:
Use green slime (#1105) to coat the Diff Gasket before installation!

Diff Fluid

Front Diff Fluid: 10,000cst #5455

Rear Diff Fluid: 7,000cst #5454

Align pin with groove in sun gear

Racer's Tip:
Fill diff to the top of the planet gear pins.

:: Differential Build (Center) - Bag A, B, C - Step 5

89115 Diff Housing

91564 8x16x5 Bearing

89121 Diff O-Ring Set

81008 Diff Outdrives

89120 Diff Shims

89120 Diff Outdrive Pin

Racer's Tip:
Use black grease (#6588) to lube the O-Rings before installation!

:: Differential Build (Center) - Bag A, B, C - Step 6

89120 Diff Sun Gear

89120 Diff Planet Gears

:: Differential Build (Center) - Bag A, B, C - Step 7

89500
Light Spur Gear, 46T

91564
8x16x5 Bearing

89121
Diff O-Ring Set

81008
Diff Outdrives

89120 $\times 2$
Diff Shims

89121
Diff O-Ring Set

89120
Diff Outdrive Pin

Racer's Tip:
Use black grease (#6588) to lube the O-Rings before installation!

:: Differential Build (Center) - Bag A, B, C - Step 8

89120
Diff Sun Gear

89116
Diff Gasket

89208 $\times 4$
3x14mm FHCS

Racer's Tip:
Use green slime (#1105) to coat the Diff Gasket before installation!

Racer's Tip:
Fill diff to the top of the planet gear pins.

Center Diff Fluid:
10,000cst #5455

:: Steering / Chassis Build - Bag D, E - Step 1

25201
3x8mm FHCS

31541 $\times 2$
3x6mm FHCS

25201
3x8mm FHCS

25201 $\times 2$
3x8mm FHCS

25201
3x8mm FHCS

31541 $\times 2$
3x6mm FHCS

81001 $\times 2$
Side Guards

81000
RC8B3 Chassis

81091 $\times 2$
Steering Post

81262 $\times 2$
4x10mm FHCS

#1596
thread lock

:: Steering / Chassis Build - Bag D, E - Step 2

81087 Servo Saver Tube

81086 Steering Bellcrank

81086 Steering Bellcrank

81087 Servo Saver Shim

81087 Servo Saver Spring

81087 Servo Saver Spring Retainer

31511 2x5mm SHCS

Racer's Tip:
Use black grease (#6588) to lube the bellcrank halves before installation!

#1596 thread lock

3mm

!

Tighten 2x5mm SHCS snug. Set servo saver tension to 3mm. Then tighten 2x5mm SHCS to lock.

:: Steering / Chassis Build - Bag D, E - Step 3

31404 x4 6x10x3mm Bearing

81086 Steering Bellcrank

89161 x4 5x8x2.5mm Bearing

81089 Steering Rack

25211 x2 3x10mm BHCS

81093 x2 Turnbuckle Ball, 4mm

#1596 thread lock

Kit Setup:
1
2
3
4
5

:: Steering / Chassis Build - Bag D, E - Step 4

81088 x2 Steering Bellcrank Nut

25201 x2 3x8mm FHCS

#1596 thread lock

:: Front Gearbox Build - Bag F, G - Step 1



Racer's Tip:
Use black grease (#6588) to lube the Diff Pinion before installation!

81003
Diff Pinion Gear, 13T

81015
Gearbox, (Inboard)

91561 $\Sigma 2$
6x12x4mm Bearing

89221
5x4mm Set Screw

#1596
Thread Lock

81020
Center Universal, (76mm)

81015
Dust Cap

4675
2.5x6mm FHCS

:: Front Gearbox Build - Bag F, G - Step 2

81015
Gearbox, (Outboard)

89117 $\Sigma 2$
Diff Shim

25620 $\Sigma 2$
3x10mm SHCS

81015
Anti-Roll Bar Cap

81259
2.5x18mm BHCS

:: Front Gearbox Build - Bag F, G - Step 3

Kit Setup:



81046
Arm Mount (B)

81054
Front Arm Shim, 1mm

81054
Front Arm, Lower

81050 $\Sigma 2$
Arm Mount Insert, Center

89317
Droop Screw

81261 $\Sigma 2$
4x16mm BHCS

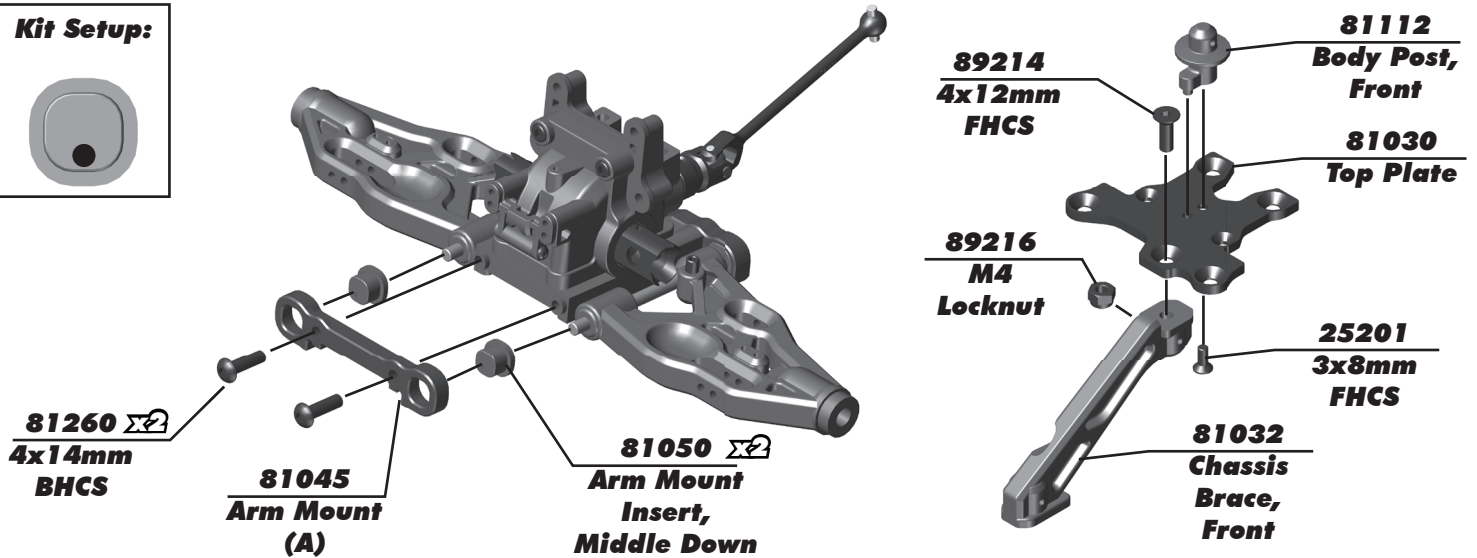
81060
Hinge Pin



Note that each arm is marked with a R for the Right Arm or an L for the Left Arm.

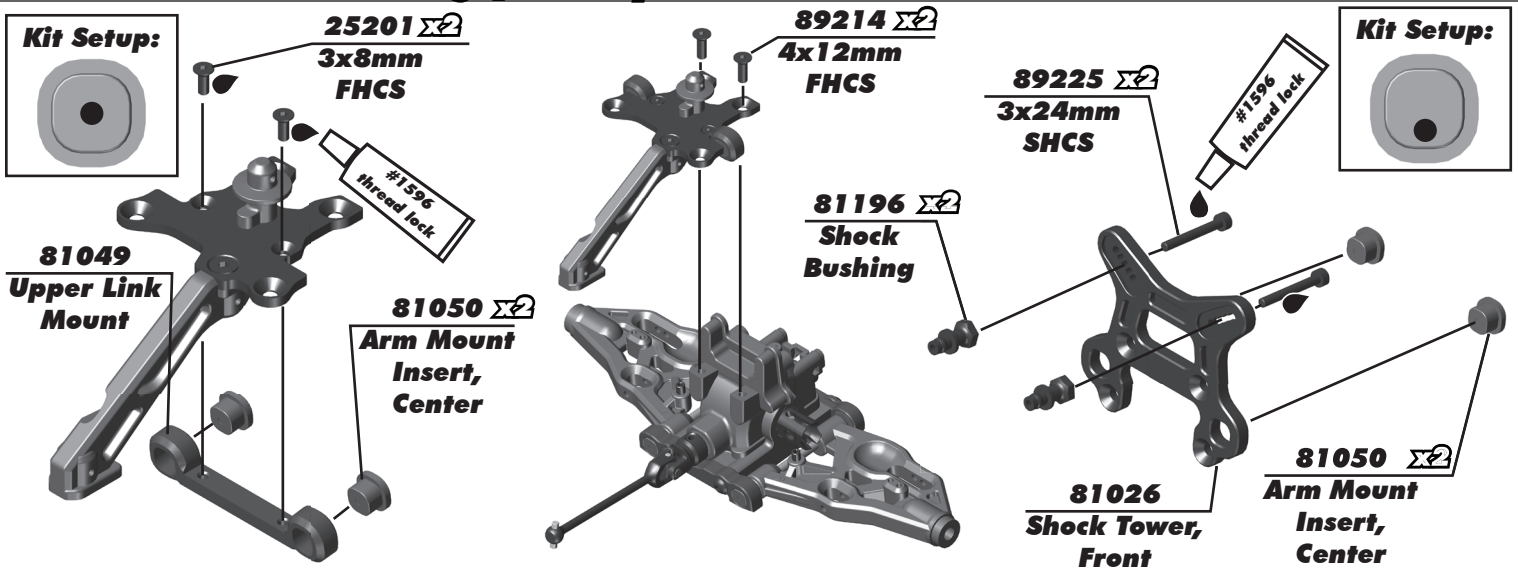
:: Front Gearbox Build - Bag F, G - Step 4

Kit Setup:

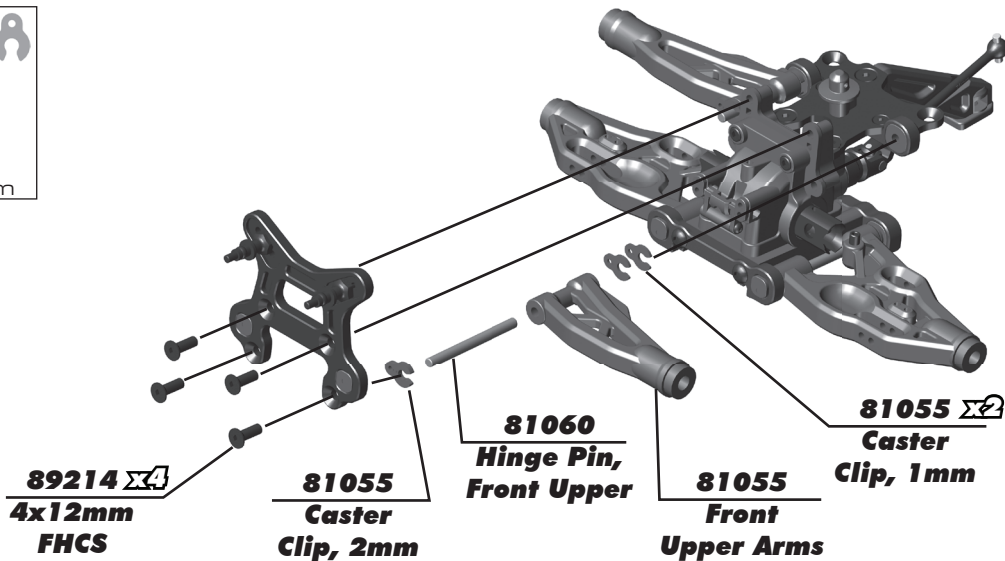
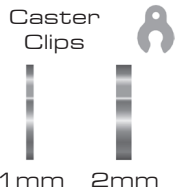


:: Front Gearbox Build - Bag F, G - Step 5

Kit Setup:

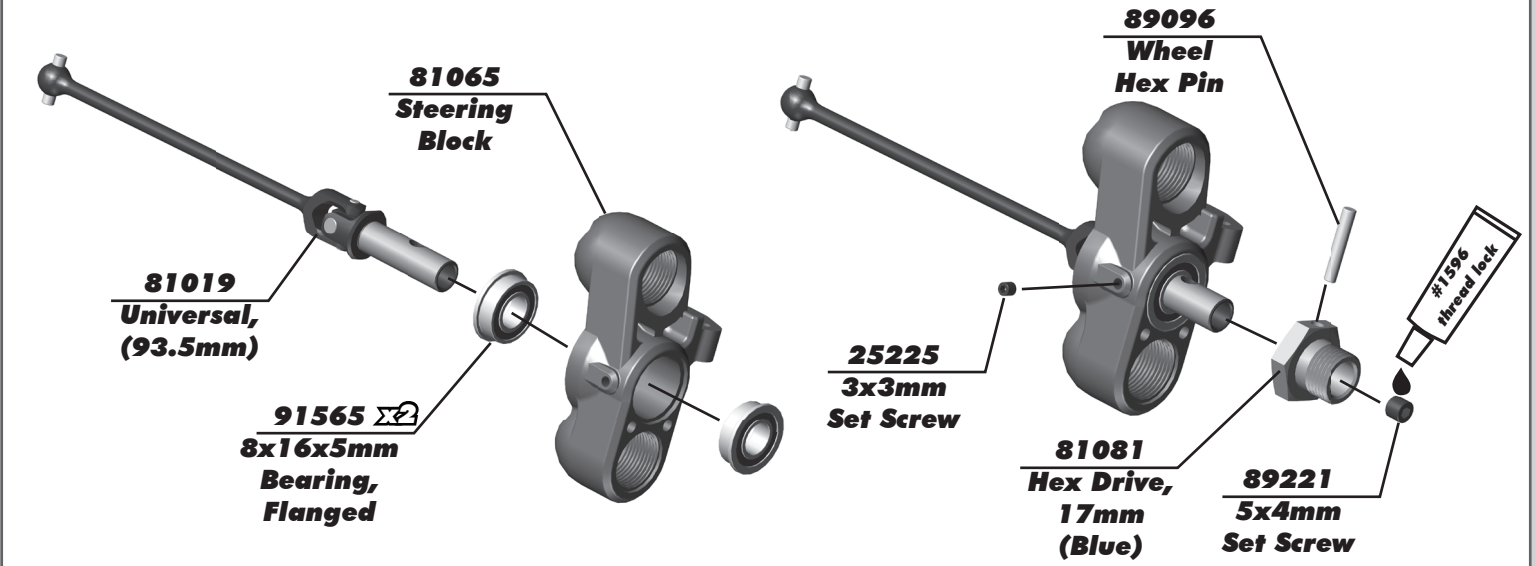


:: Front Gearbox Build - Bag F, G - Step 6

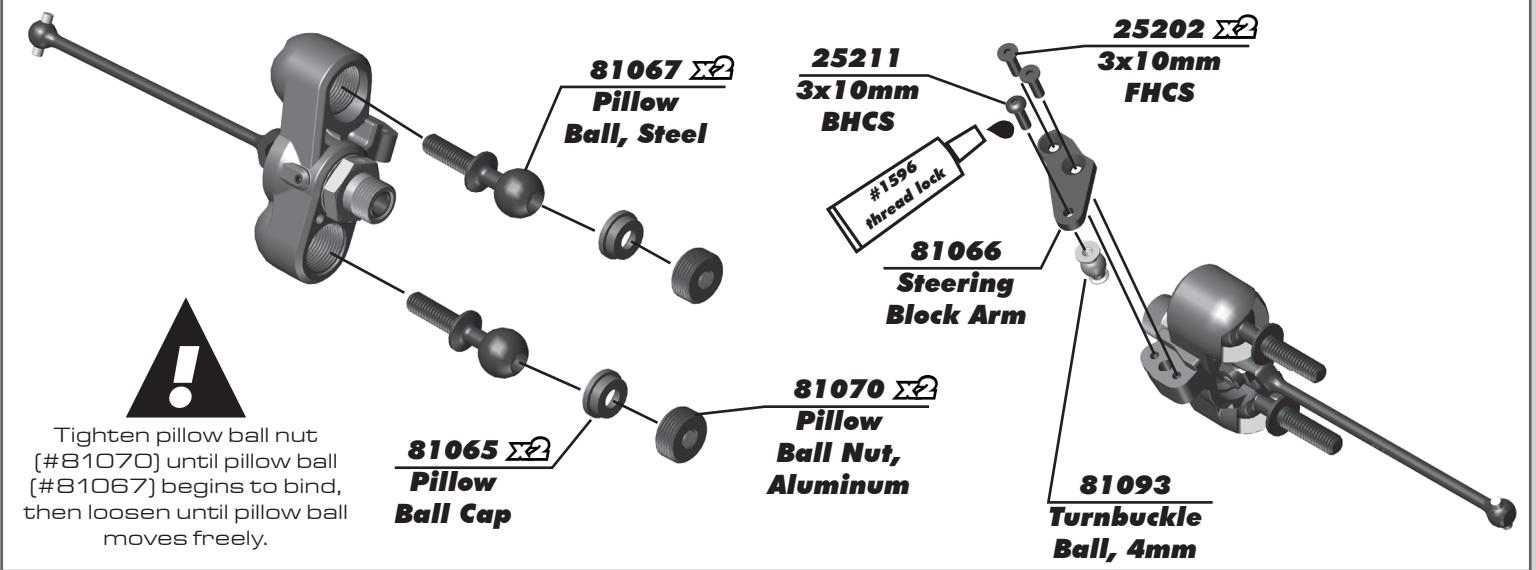


Note that each arm is marked with a R for the Right Arm or an L for the Left Arm.

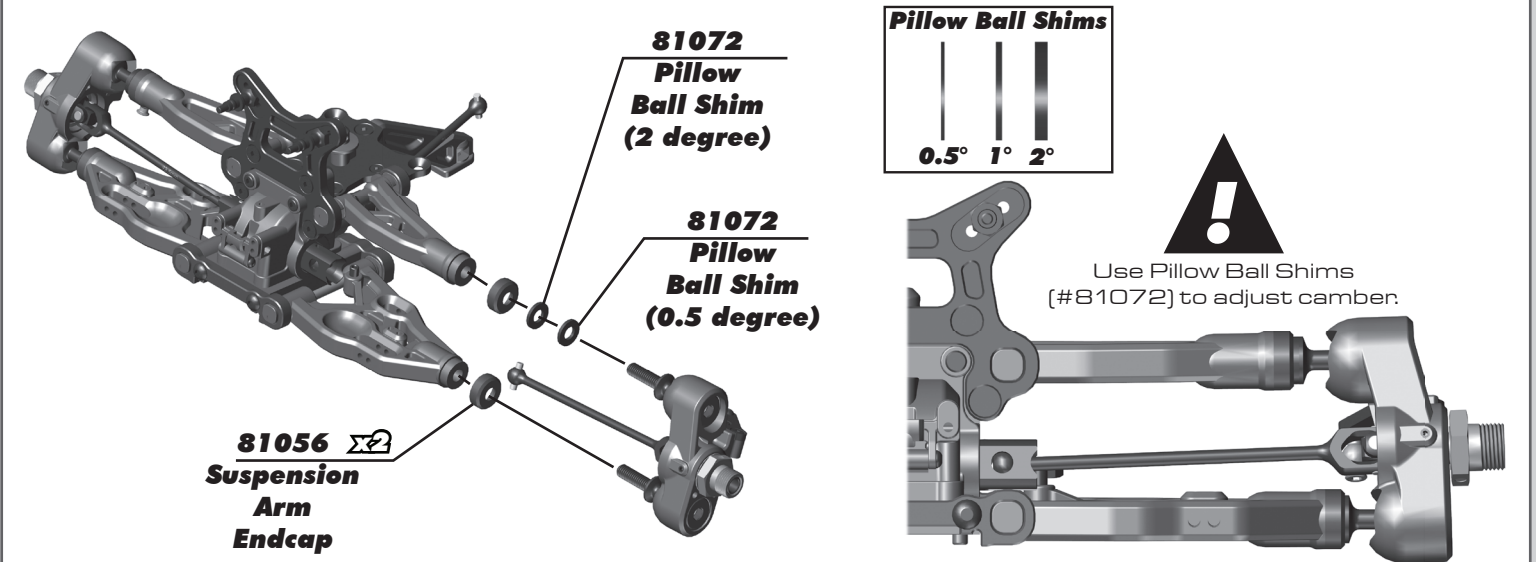
:: Front Uprights Build - Bag H, I - Step 1



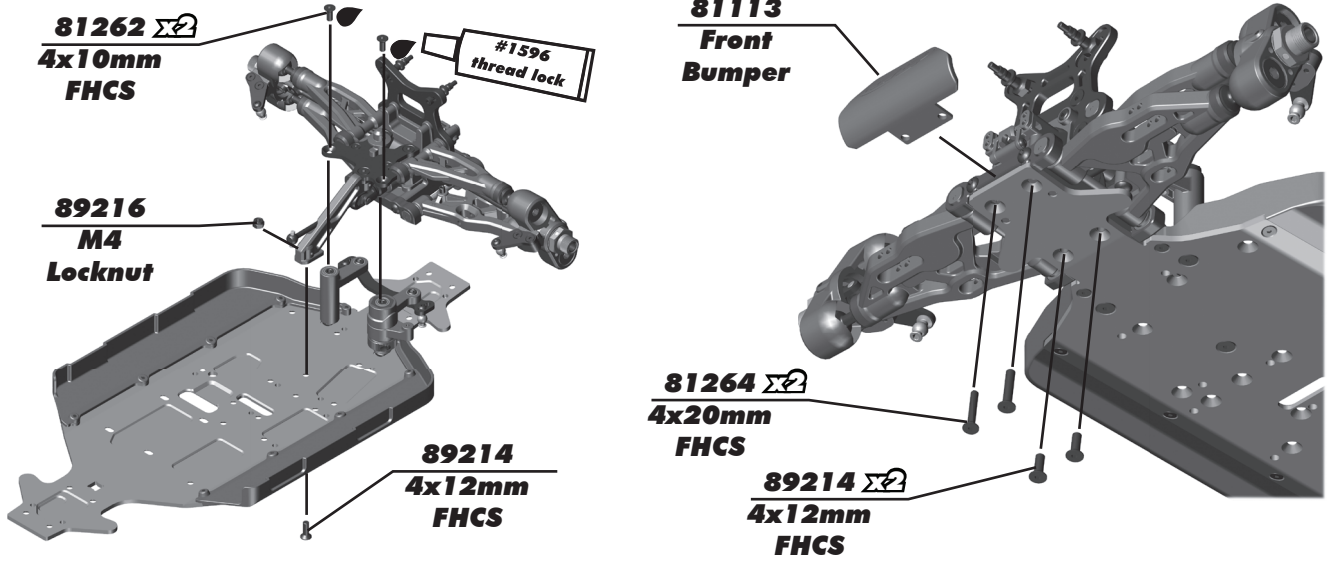
:: Front Uprights Build - Bag H, I - Step 2



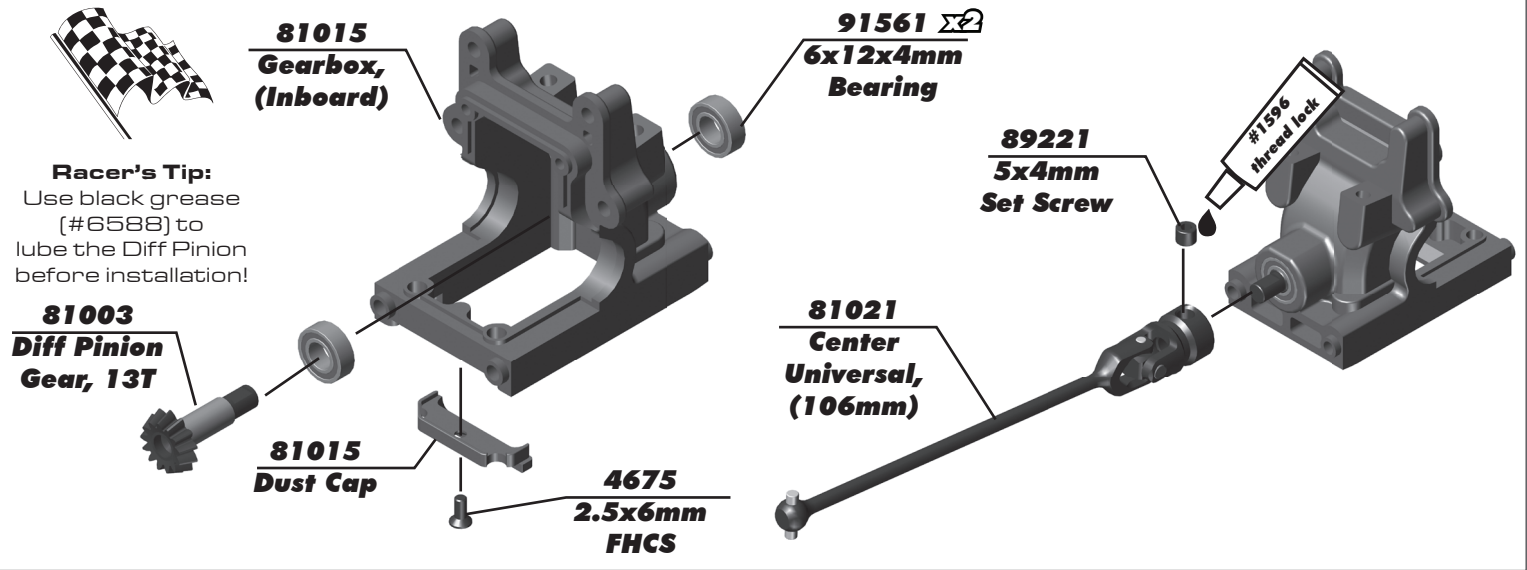
:: Front Uprights Build - Bag H, I - Step 3



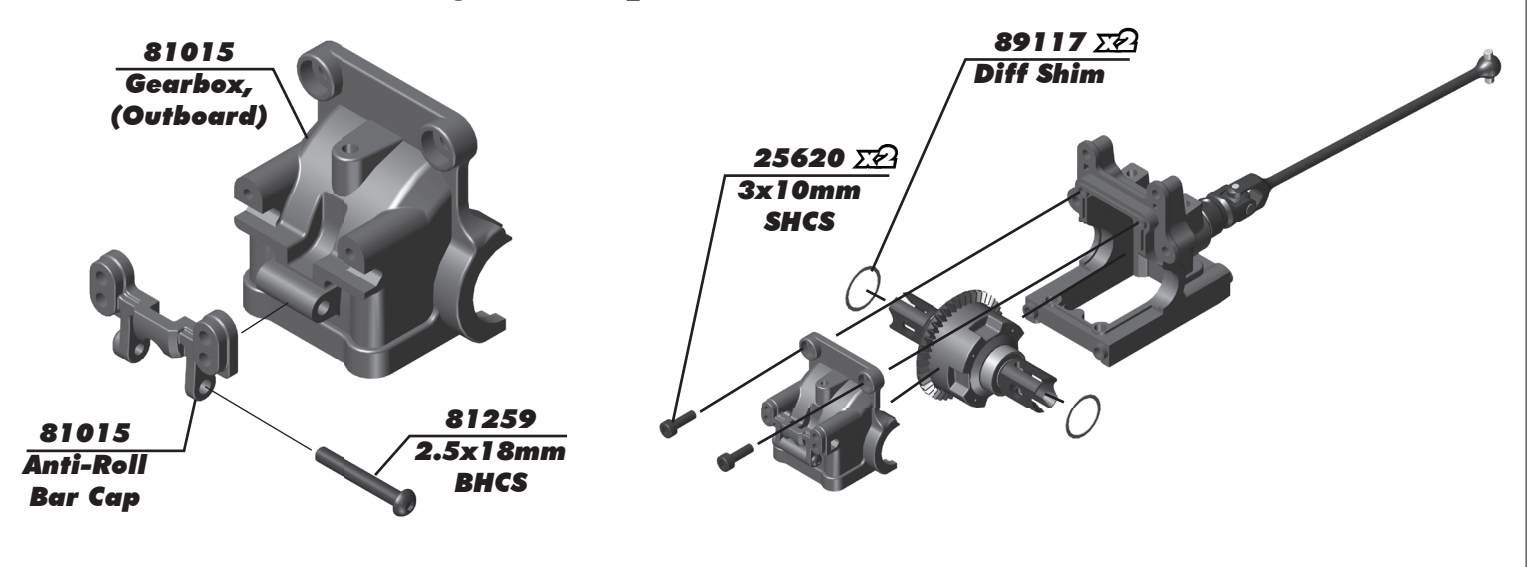
:: Front Uprights Build - Bag H, I - Step 4



:: Rear Gearbox Build - Bag J, K - Step 1



:: Rear Gearbox Build - Bag J, K - Step 2



:: Rear Gearbox Build - Bag J, K - Step 3

Kit Setup:



81047
Arm
Mount (C)

81059
Rear Arm
Mud Guard

81058
Rear Arm



Note that each arm is marked with a R for the Right Arm or an L for the Left Arm.

81050 $\Sigma 2$
Arm Mount
Insert,
Center

81261 $\Sigma 2$
4x16mm
BHCS

31531 $\Sigma 2$
3x6mm
BHCS

89317
Droop
Screw

:: Rear Gearbox Build - Bag J, K - Step 4

Kit Setup:



81058
Rear Arm
Shim

81048
Arm
Mount
(D)

81060
Hinge
Pin

81261 $\Sigma 2$
4x16mm
BHCS

81050 $\Sigma 2$
Arm Mount
Insert,
Center

:: Rear Gearbox Build - Bag J, K - Step 5

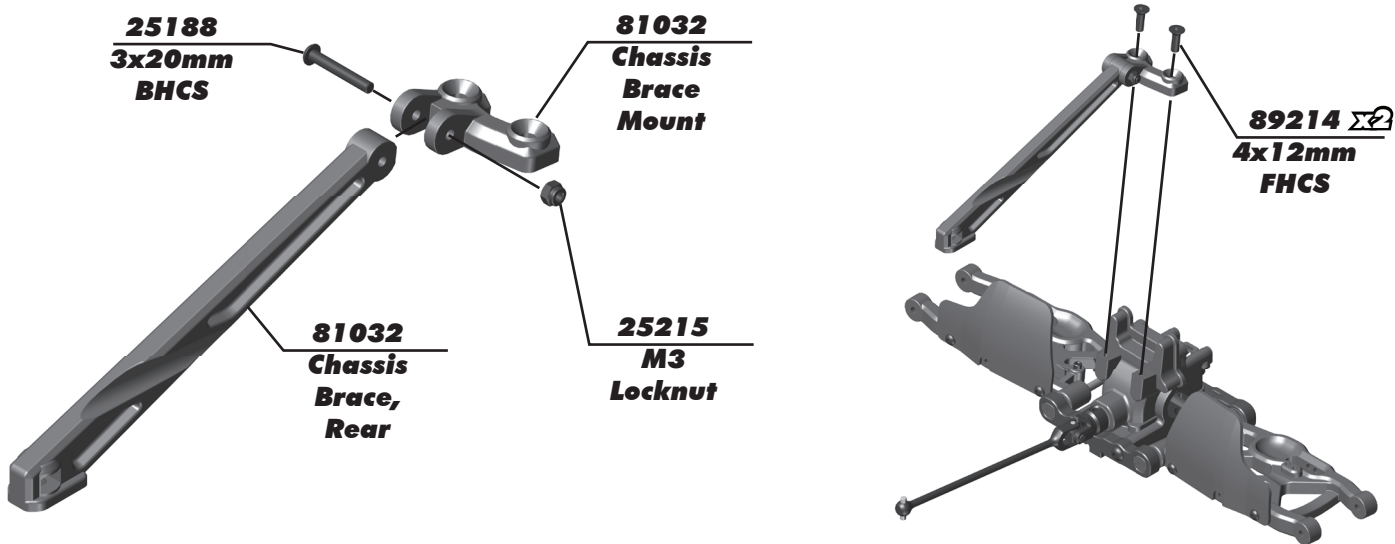
25188
3x20mm
BHCS

81032
Chassis
Brace
Mount

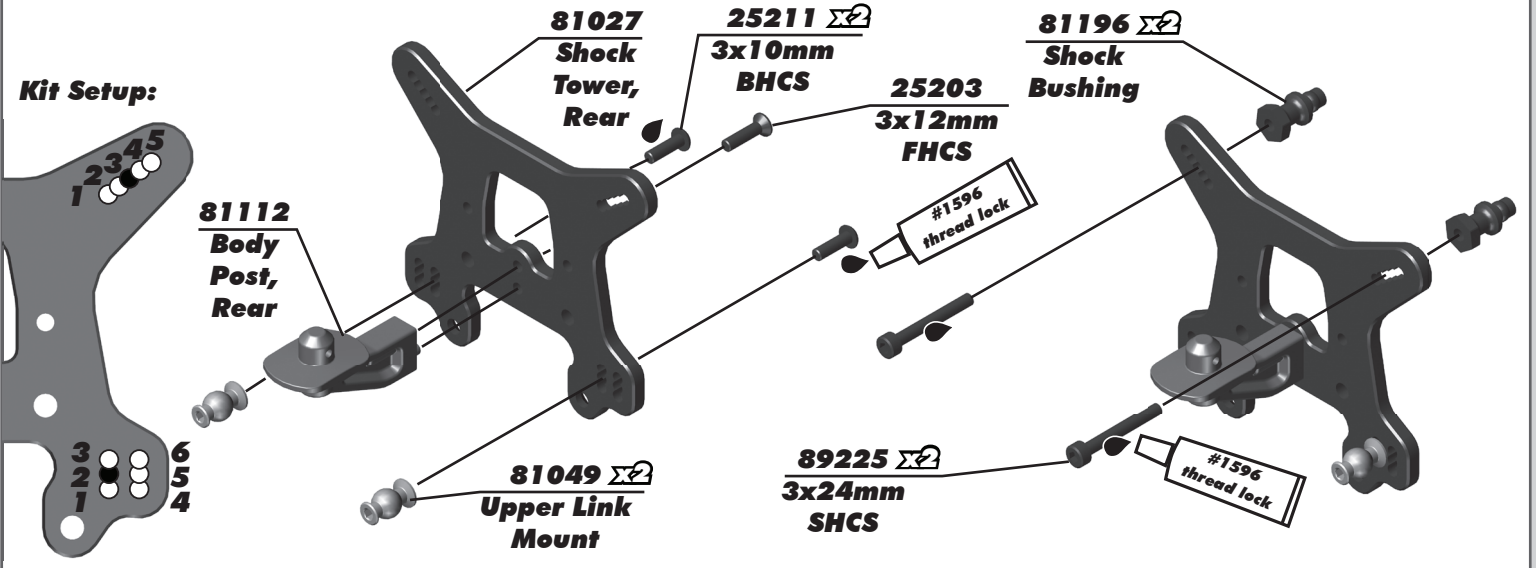
81032
Chassis
Brace,
Rear

25215
M3
Locknut

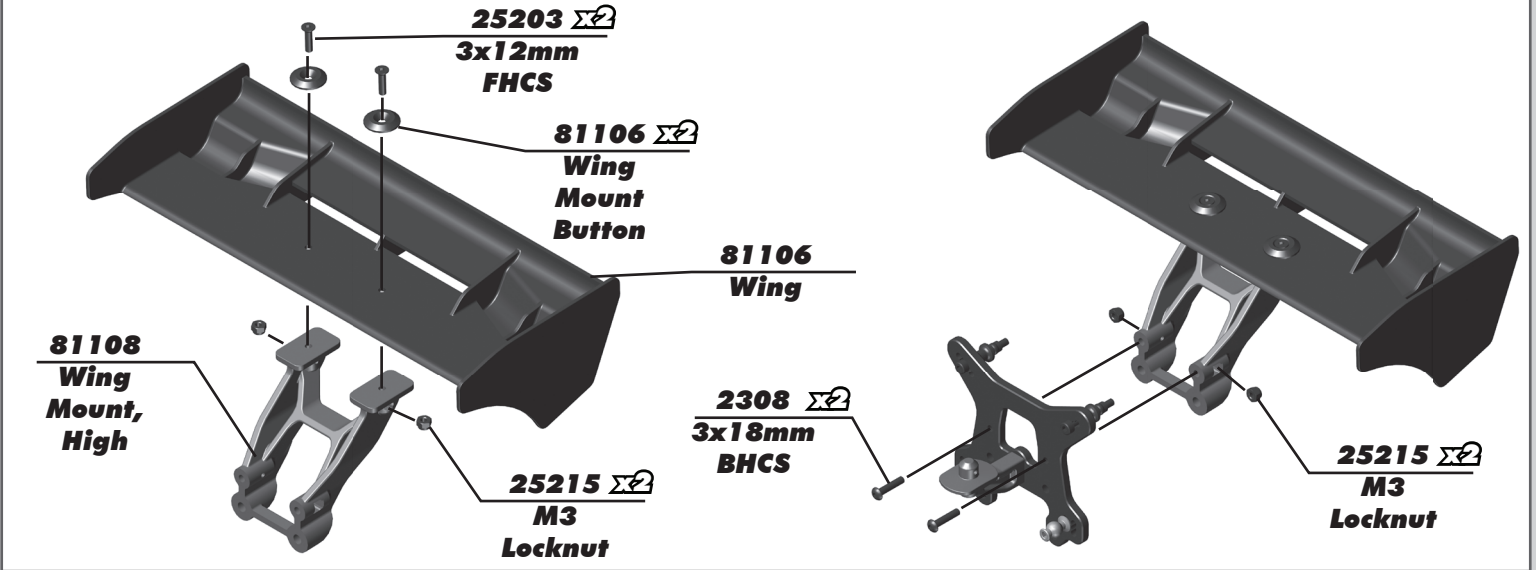
89214 $\Sigma 2$
4x12mm
FHCS



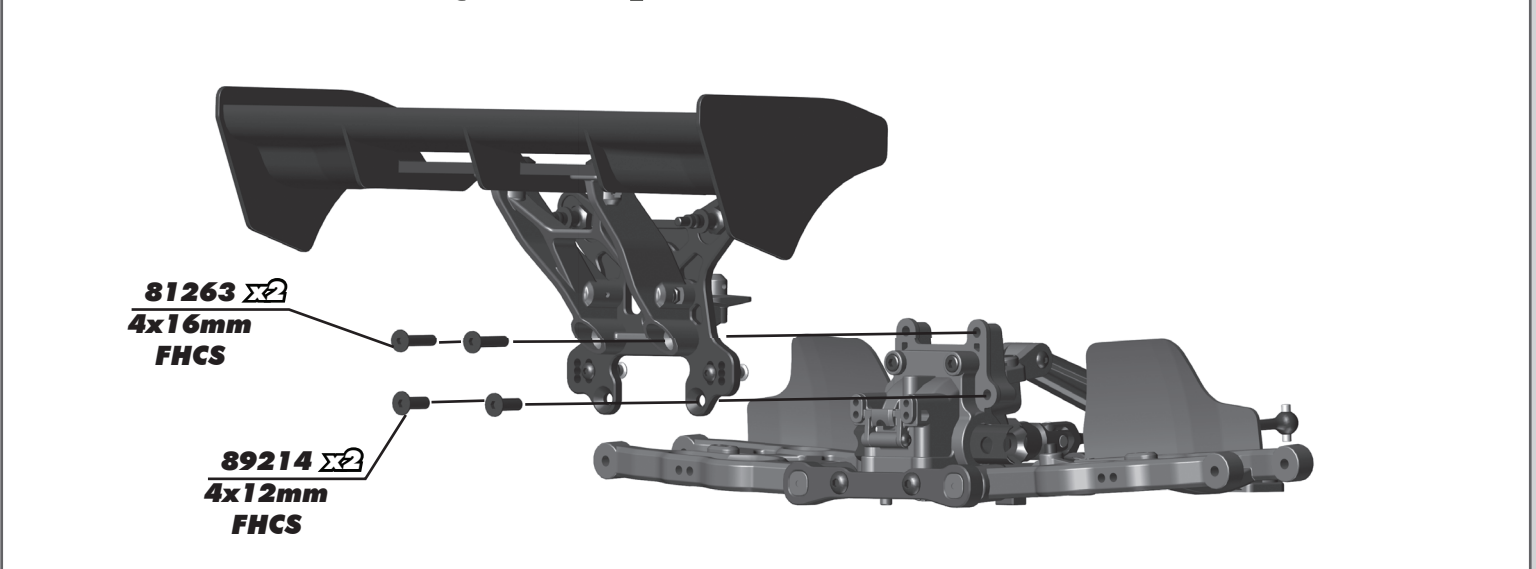
:: Rear Gearbox Build - Bag J, K - Step 6



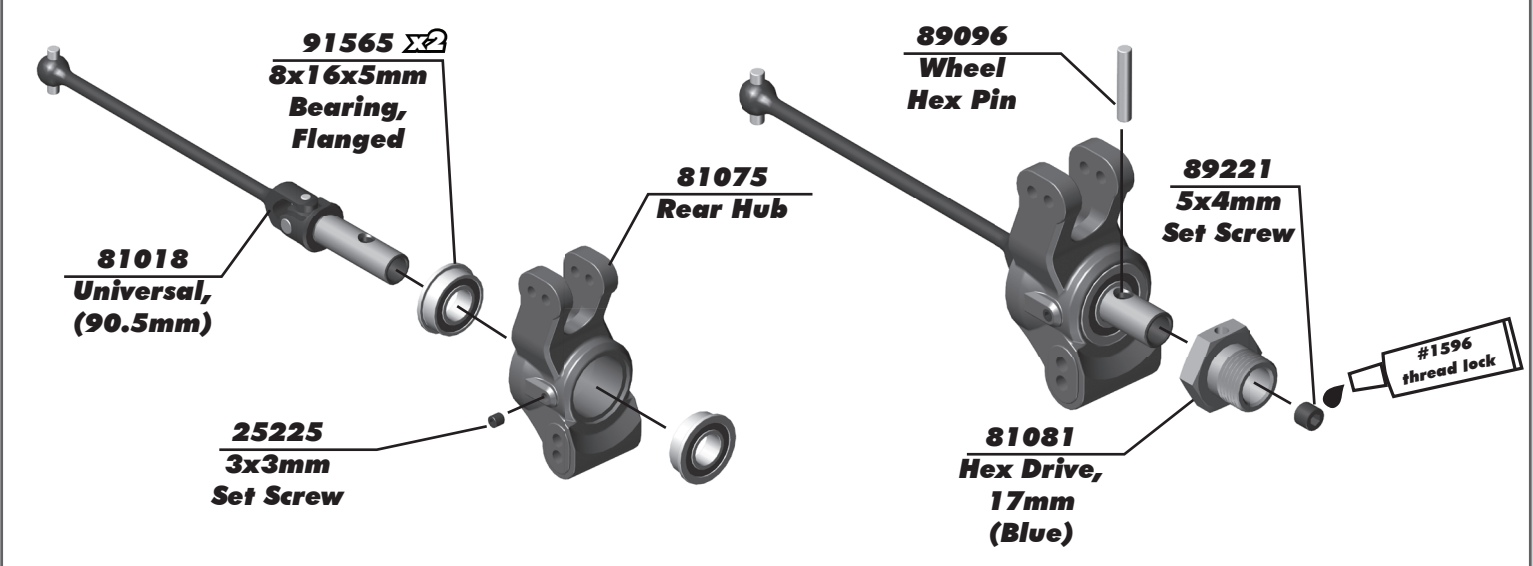
:: Rear Gearbox Build - Bag J, K - Step 7



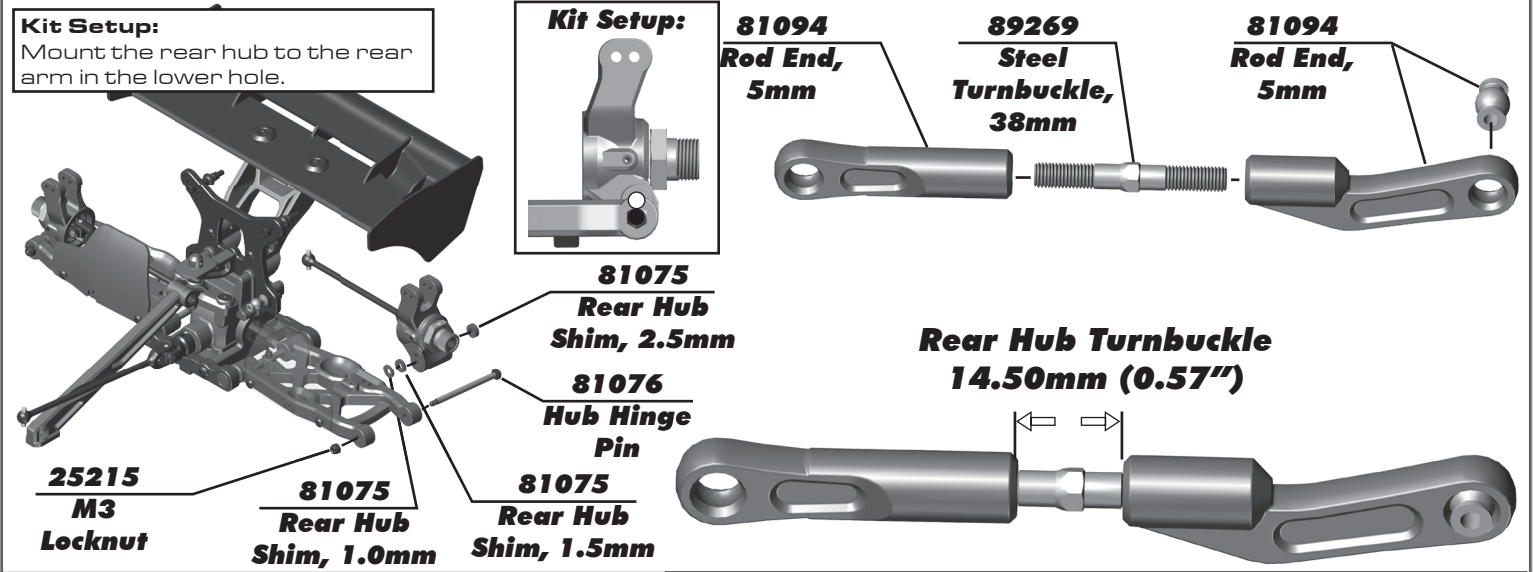
:: Rear Gearbox Build - Bag J, K - Step 8



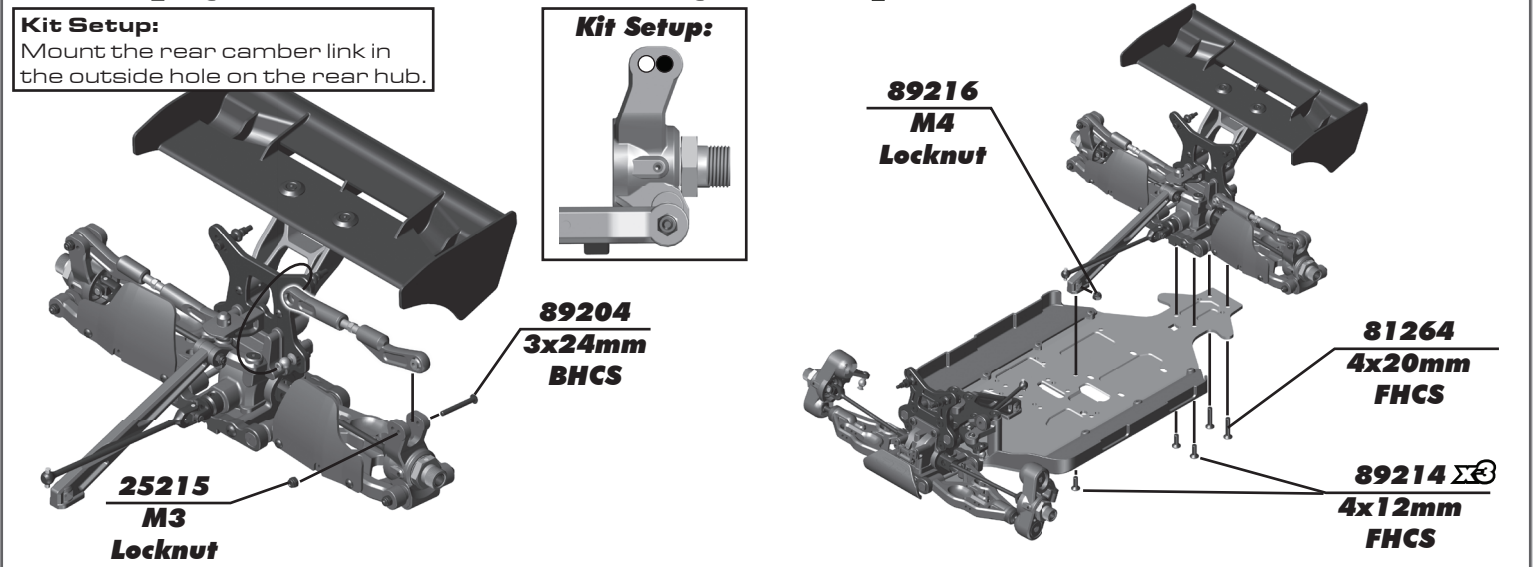
:: Rear Uprights / Turnbuckles Build - Bag K, L - Step 1



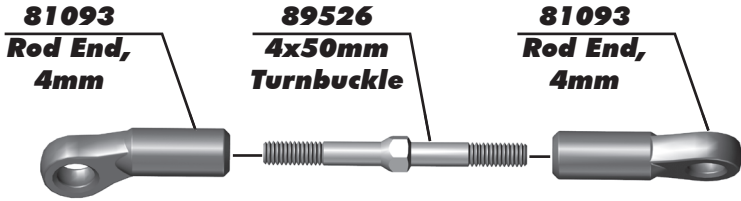
:: Rear Uprights / Turnbuckles Build - Bag K, L - Step 2



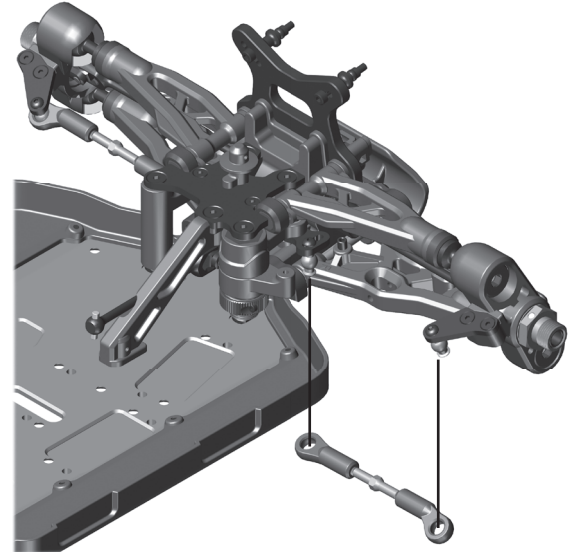
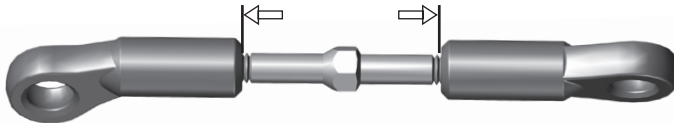
:: Rear Uprights / Turnbuckles Build - Bag K, L - Step 3



:: Rear Uprights / Turnbuckles Build - Bag K, L - Step 4



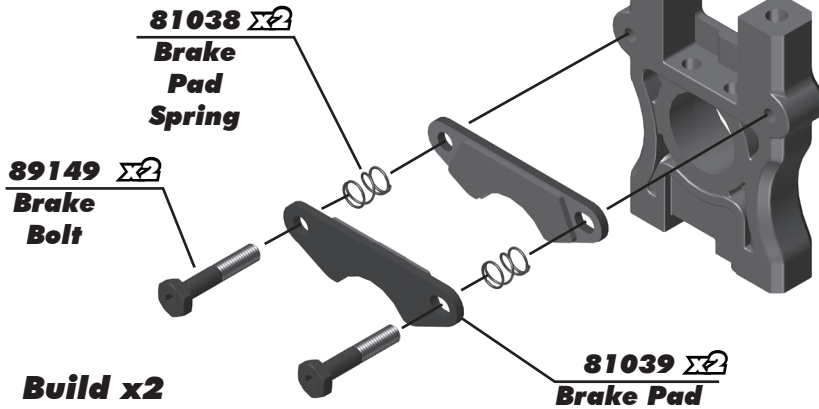
**Steering Turnbuckle
26.40mm (1.04")**



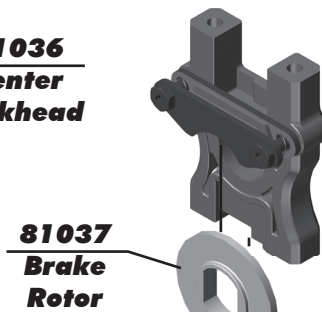
:: Center Bulkhead / Brakes Build - Bag M, N- Step 1



Align slotted holes on the same side when installing brake pads.

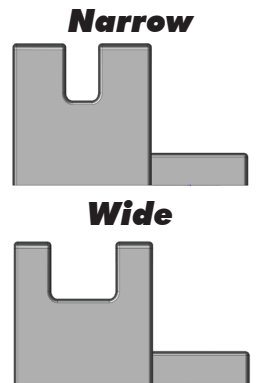


Build x2



31448 2.5x8mm FHCS

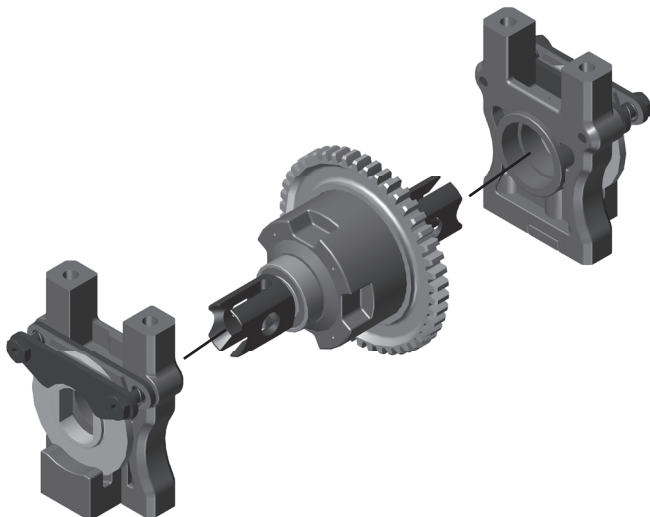
Build x2



Wide Rotor Guide used for optional brake rotors.

81036 Rotor Guide, Narrow

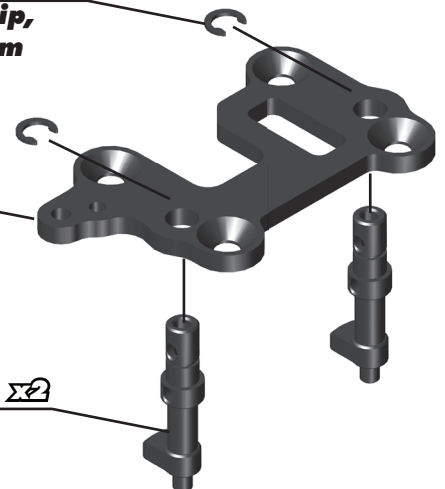
:: Center Bulkhead / Brakes Build - Bag M, N- Step 2



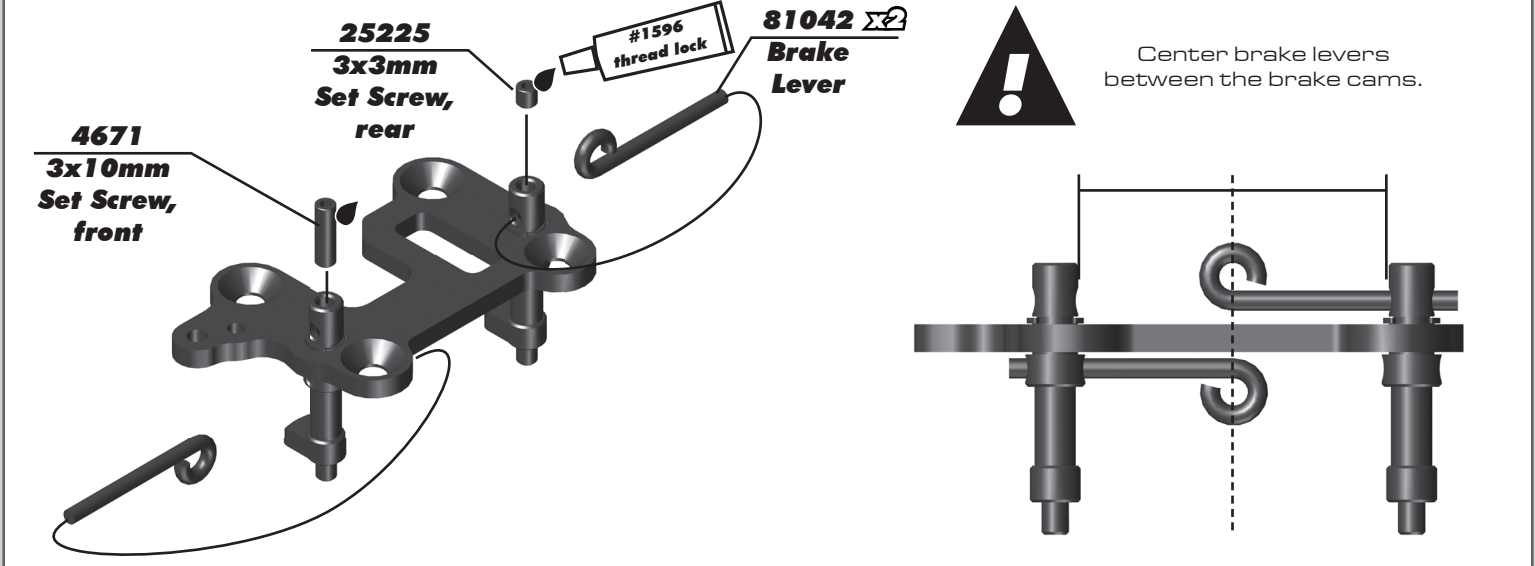
81256 $\Sigma 2$ C-Clip, 5mm

81043 Center Top Plate

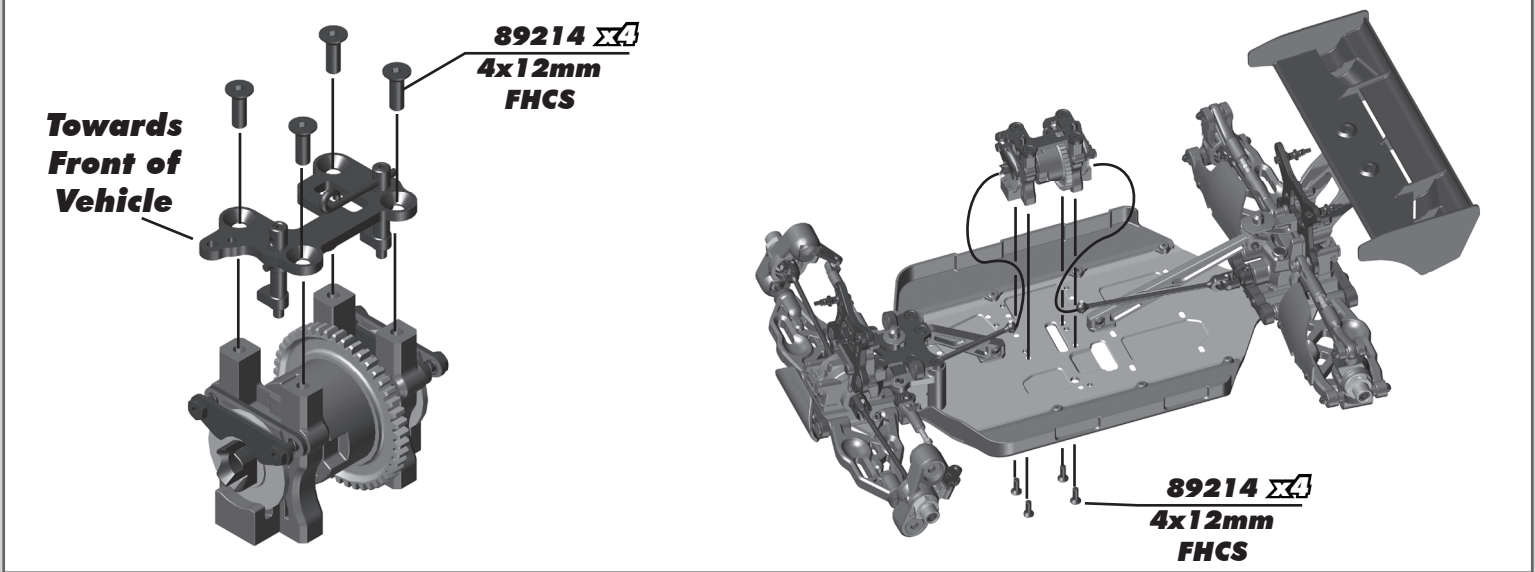
81040 $\Sigma 2$ Brake Cam



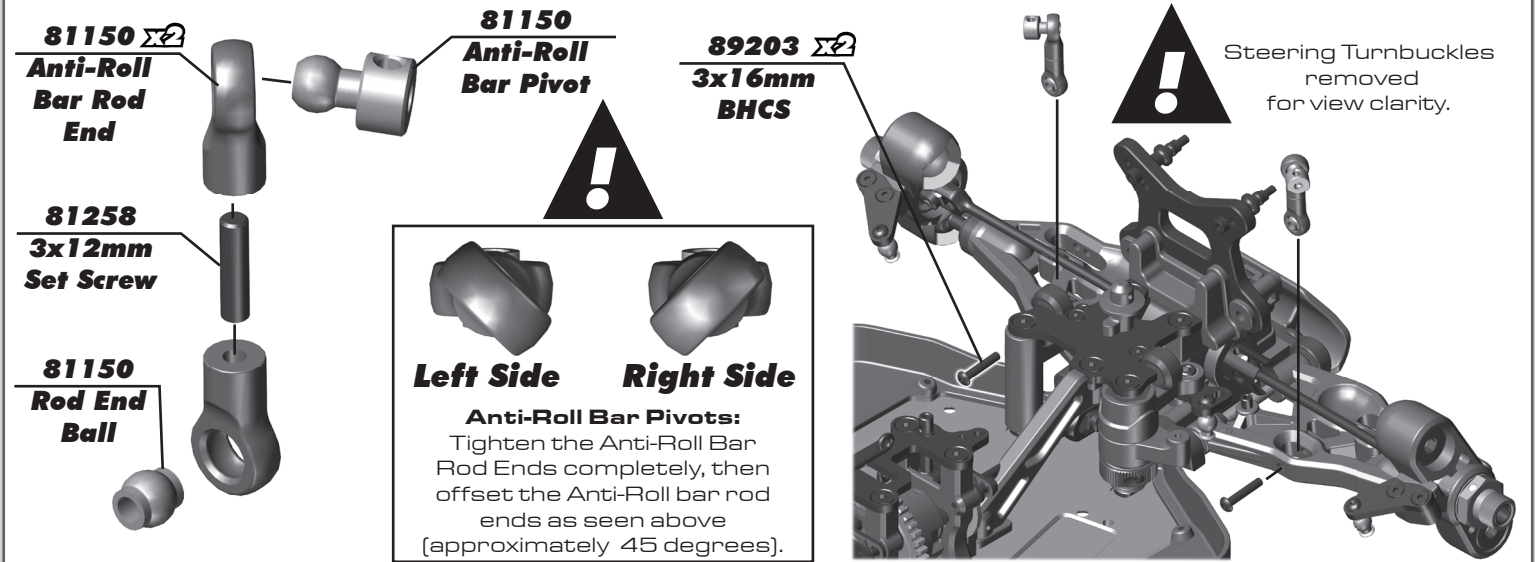
:: Center Bulkhead / Brakes Build - Bag M, N- Step 3



:: Center Bulkhead / Brakes Build - Bag M, N- Step 4



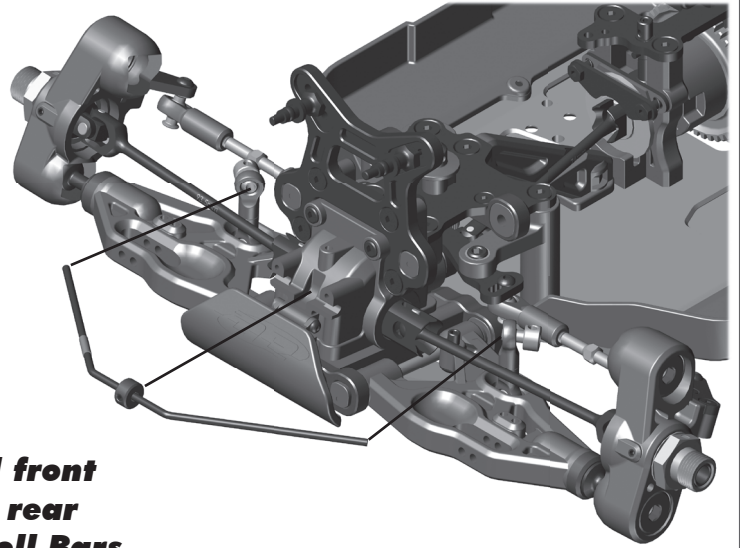
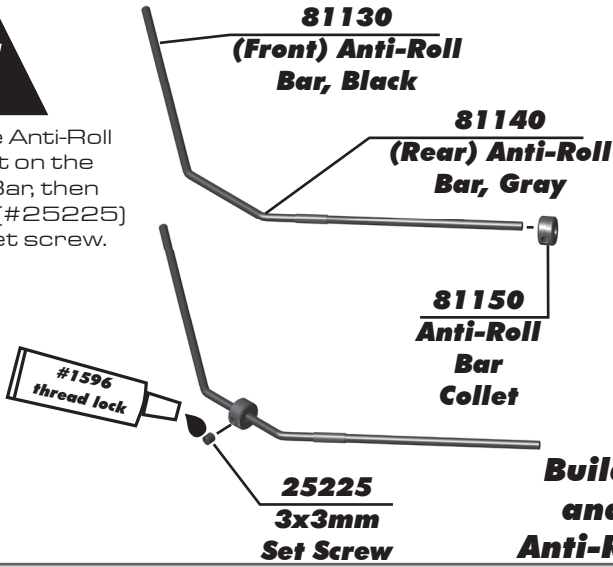
:: Anti-Roll Bars Build - Bag O - Step 1



:: Anti-Roll Bars Build - Bag 0 - Step 2

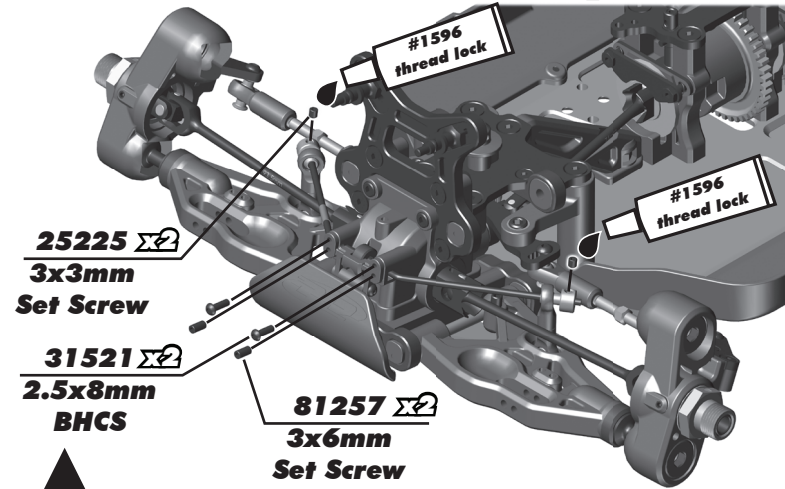


Center the Anti-Roll Bar Collet on the Anti-Roll Bar, then tighten the (#25225) 3x3mm set screw.

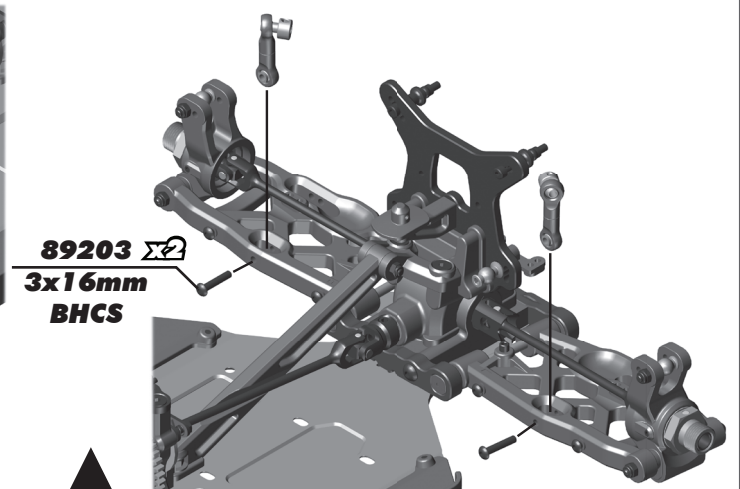


Build front and rear Anti-Roll Bars

:: Anti-Roll Bars Build - Bag 0 - Step 3

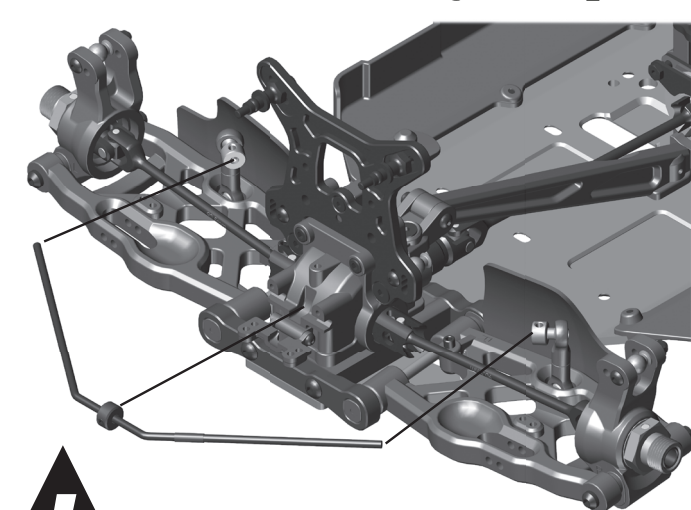


Tighten #81257 set screws just enough to still allow the anti-roll bar to move freely.

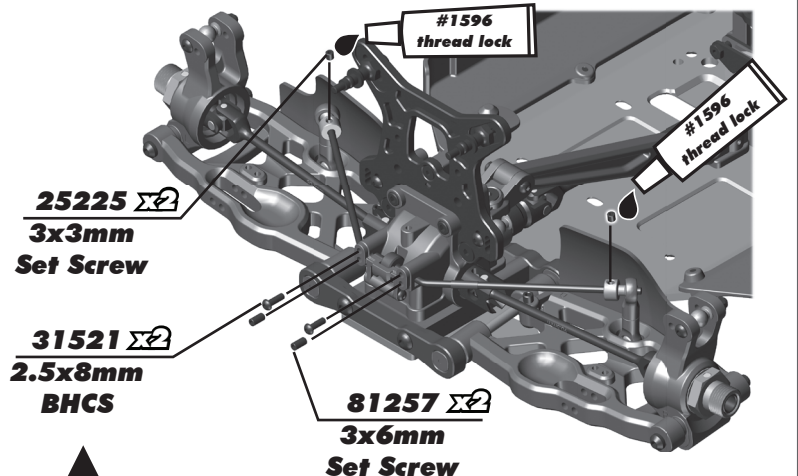


Rear Hub Turnbuckles removed for view clarity.

:: Anti-Roll Bars Build - Bag 0 - Step 4



Rear Hub Turnbuckles removed for view clarity.



Tighten #81257 set screws just enough to still allow the anti-roll bar to move freely.

:: Shocks Build - Bag P, Q - Step 1

81200 Shock Piston (6x1.3 flat)

89215 Shock Piston Locknut

89278 2.5mm Washer

81170 Shock Shaft, 30.5mm (Front)

81171 Shock Shaft, 39.5mm (Rear)

81185 Shock Body O-Ring

81185 O-Ring Hat Bushing

81188 Shock Body Seal Retainer

81160 Shock Body, 30.5mm (Front)

81161 Shock Body, 39.5mm (Rear)

81186 Shock O-Ring

81185 O-Ring Spacer

81190 Shock Boots

81193 Shock Rod End and Ball

Racer's Tip:
Use shock fluid or green slime (#1105) to lube the O-Rings before installation!

:: Shocks Build - Bag P, Q - Step 2

81181 Shock Cap Insert

81180 Shock Cap

81182 Shock Bladder

Front Shock Fluid: 37.5wt #5433

Rear Shock Fluid: 30wt #5422

!
When installing the shock bladder, make sure it is correctly seated within the shock cap as shown.

:: Shocks Build - Bag P, Q - Step 3

!
Leave a gap when installing the shock cap.

!
Compress shock shaft half way. Let shock fluid bleed from cap, then tighten cap.
For less rebound, compress shock shaft farther before tightening the shock cap.
For more rebound, do not compress shock shaft as far before tightening the shock cap.

!
Some residual shock fluid may appear from your first few runs around the shock cap as a result of bleeding.

:: Shocks Build - Bag P, Q - Step 4

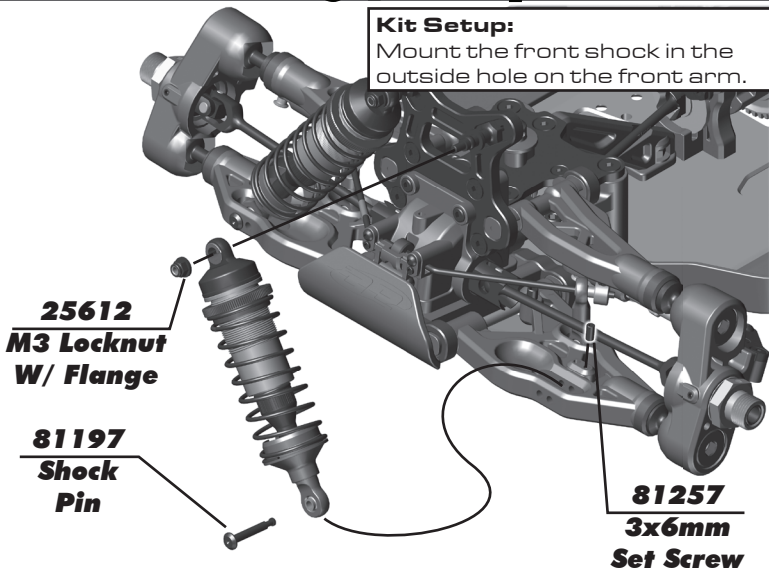


The shock springs come with colored heat shrink tubing. Install them on the springs for easy identification.

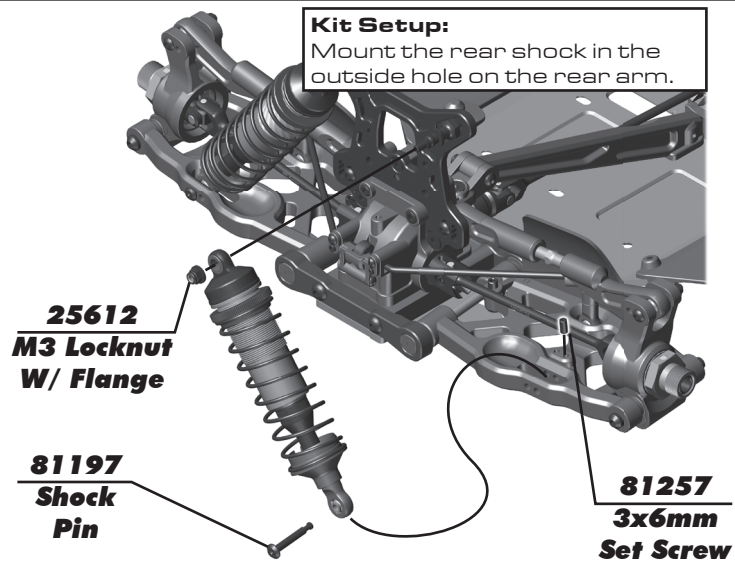


:: Shocks Build - Bag P, Q - Step 5

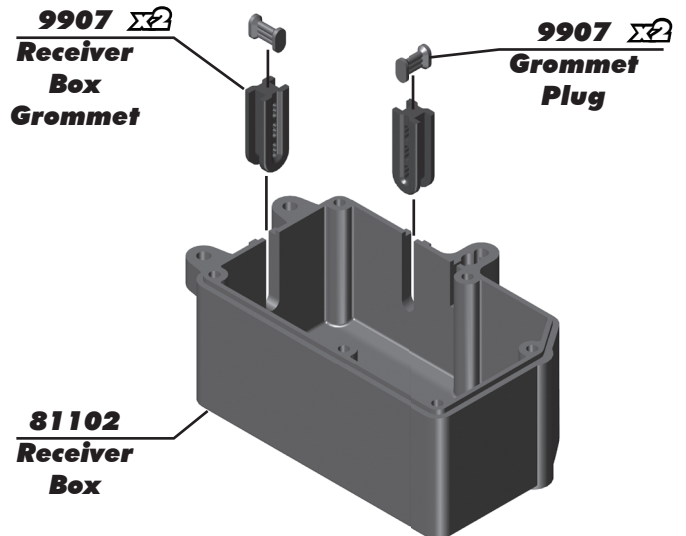
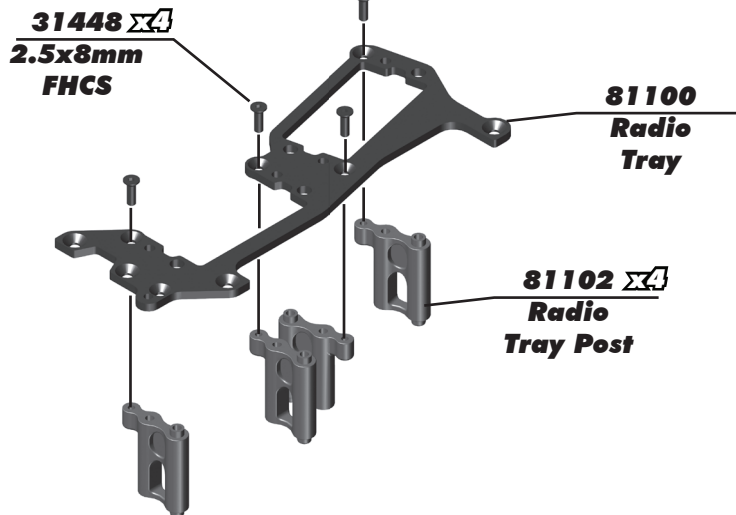
Kit Setup:
Mount the front shock in the outside hole on the front arm.



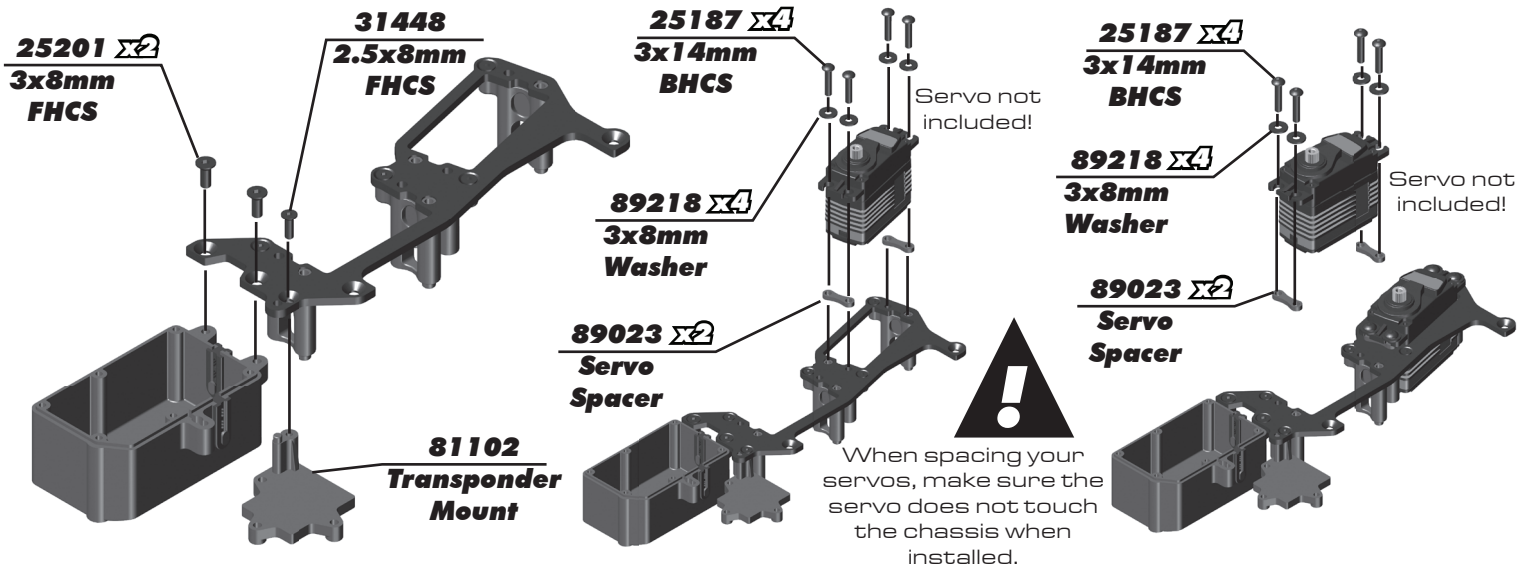
Kit Setup:
Mount the rear shock in the outside hole on the rear arm.



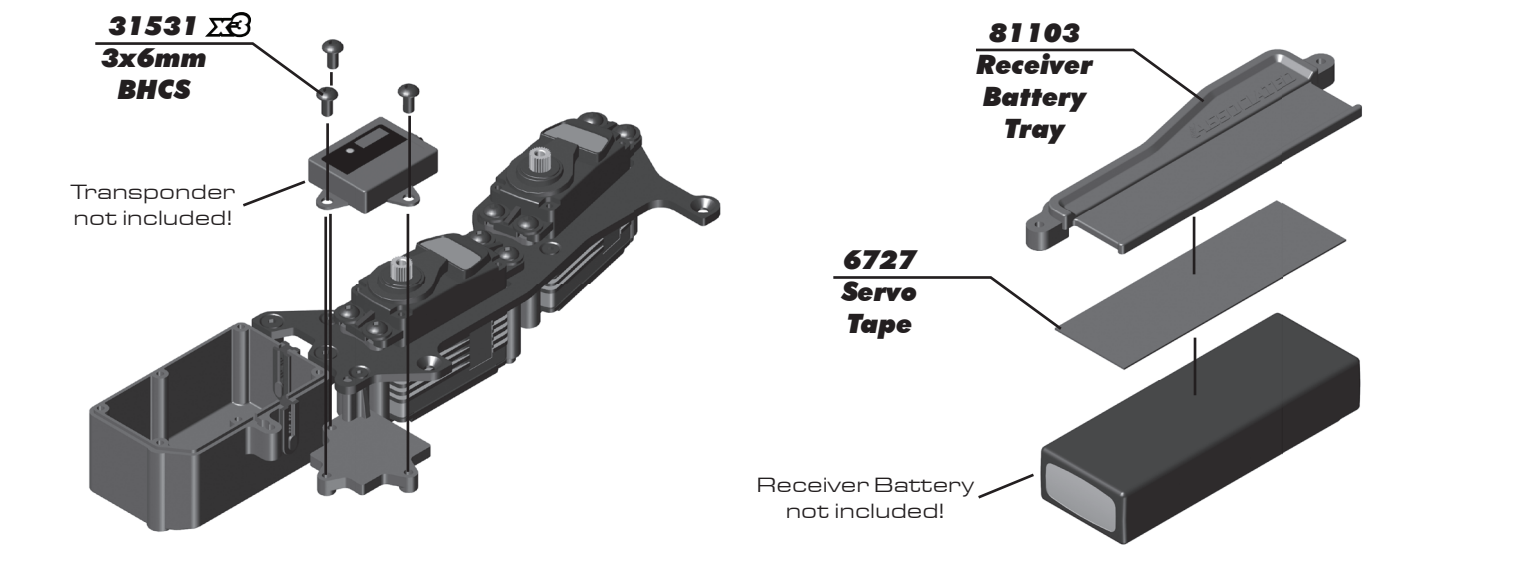
:: Radio Tray Build - Bag R, S - Step 1



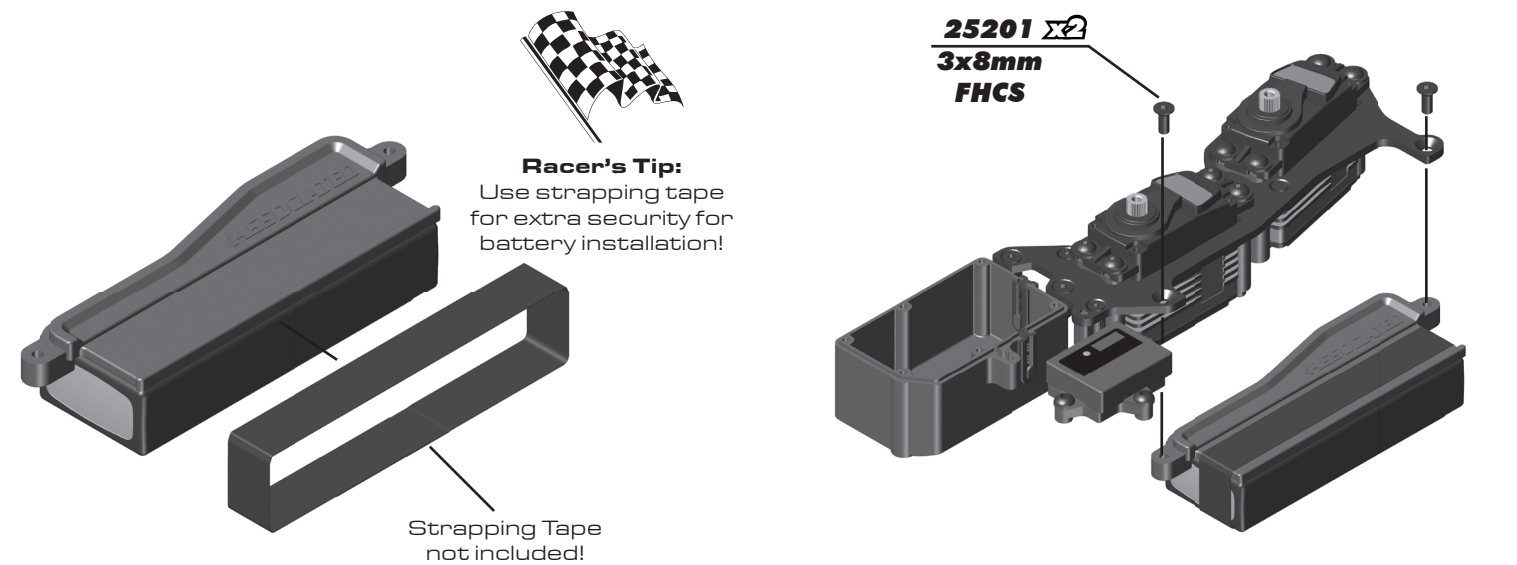
:: Radio Tray Build - Bag R, S - Step 2



:: Radio Tray Build - Bag R, S - Step 3



:: Radio Tray Build - Bag R, S - Step 4



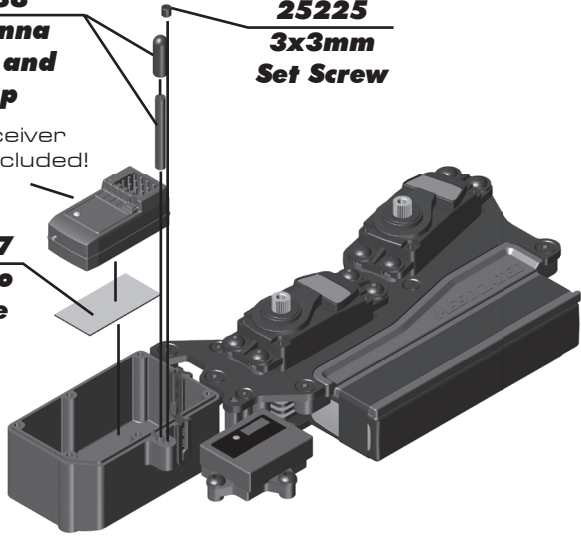
:: Radio Tray Build - Bag R, S - Step 5

6338
Antenna
Tube and
Cap

Receiver
not included!

25225
3x3mm
Set Screw

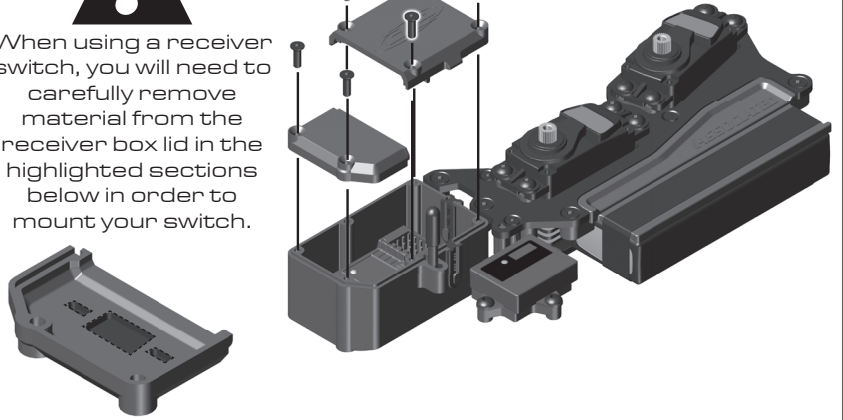
6727
Servo
Tape



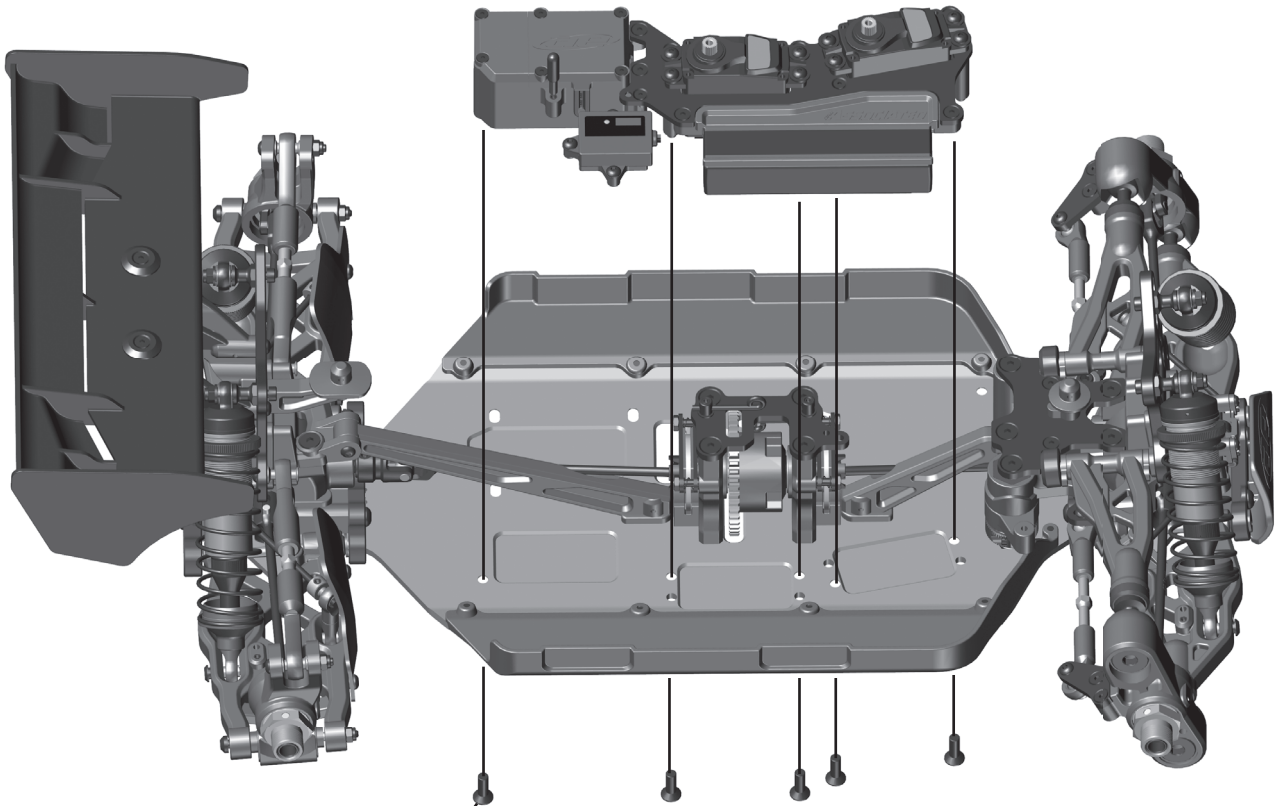
When using a receiver
switch, you will need to
carefully remove
material from the
receiver box lid in the
highlighted sections
below in order to
mount your switch.

81102
Receiver
Box Lid

31448 Σ
2.5x8mm
FHCS

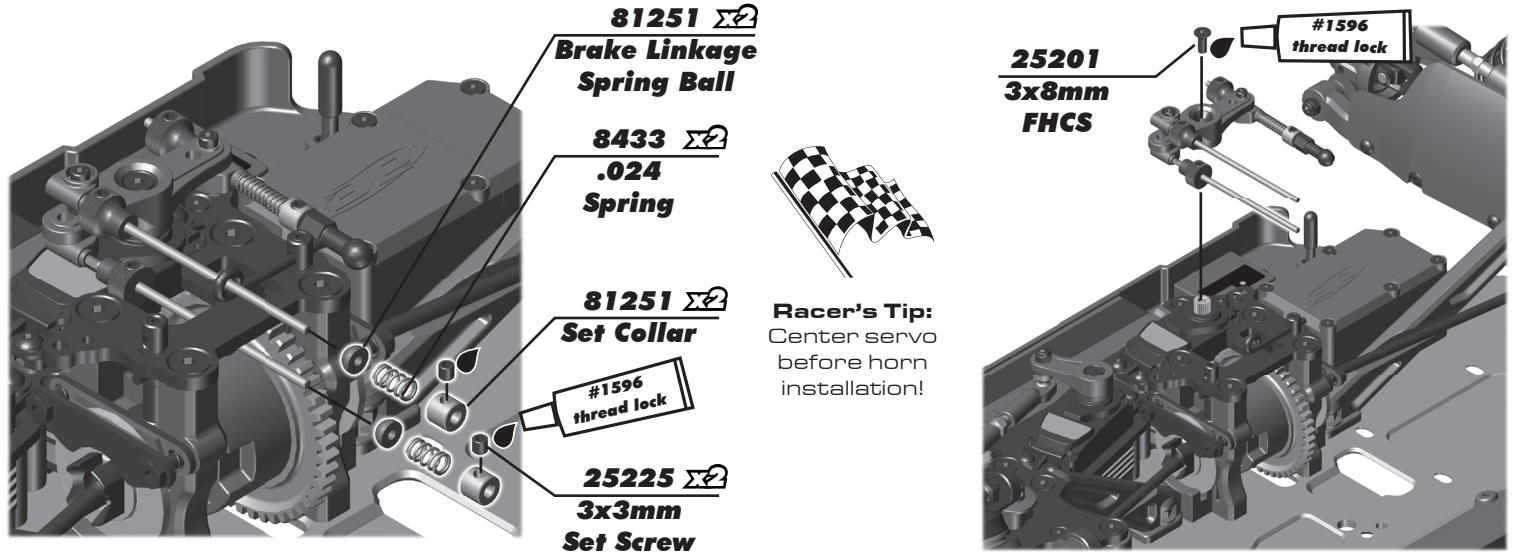


:: Radio Tray Build - Bag R, S - Step 6

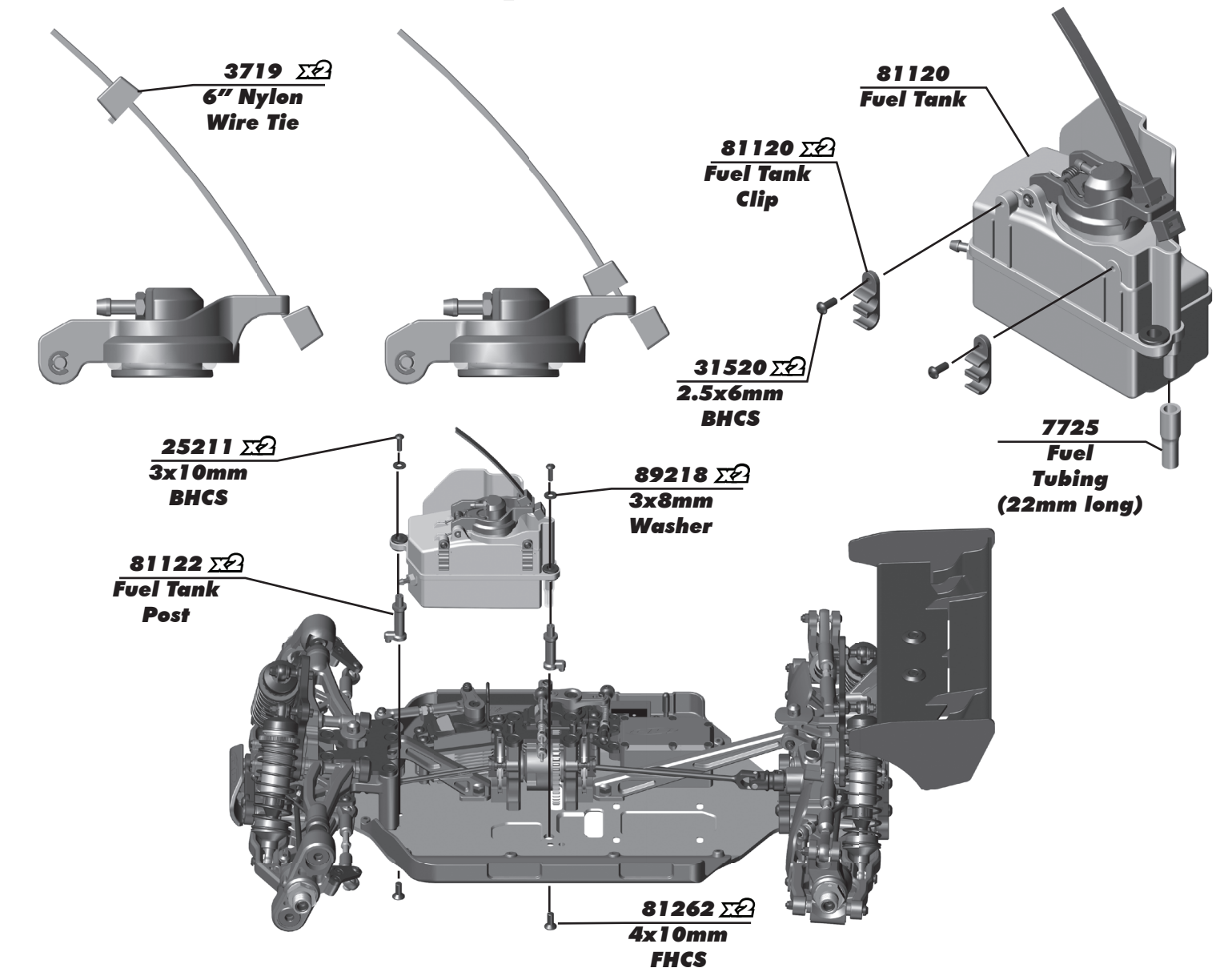


89214 Σ
4x12mm
FHCS

:: Servo Horns / Linkage Build - Bag T - Step 4



:: Engine / Tank Build - Bag U, V - Step 1



:: Engine / Tank Build - Bag U, V - Step 2

81124 Air Filter Cap

81124 Air Filter

81124 Air Filter Boot

3719 Nylon Wire Tie, 6"

81125 Air Filter Element

25620 3x10mm SHCS

When oiling the filter elements, place both inside a plastic bag and squeeze to help evenly coat the filter.

3719 Nylon Wire Tie, 6"

Engine not included!

:: Engine / Tank Build - Bag U, V - Step 3

Racer's Tip: Trim clutch shim as shown.

89136 Flywheel (Hard Anodized)

89137 Clutch Shoe Shim

89133 Clutch Spring, 1.0

89134 Clutch Shoe

89138 Flywheel Collet

2313 SG Crank Clutch Nut

91560 5x10x4mm Bearing

89148 Clutch Shims

89223 3x8mm SHCS

89218 3x8mm Washer

89376 Clutch Bell, 13T

Clutch shimming instructions:
If assembly does not spin freely, use #89148 (small clutch shim included in kit) on screw to increase end play.
If crankcase extends past clutch bearing, use #89218 (large clutch shim included in kit) to reduce end play.

:: Engine / Tank Build - Bag U, V - Step 4

25620 3x10mm SHCS

#1596 thread lock

81115 Engine Mount

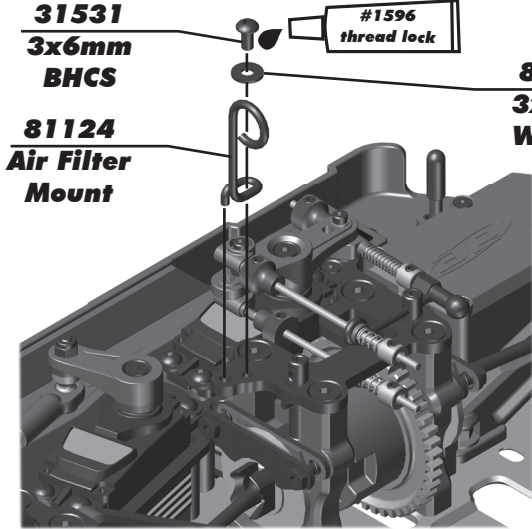
Exhaust spring not included!

Exhaust Pipe not included!

Header pipe not included!

Header pipe gaskets not included!

:: Engine / Tank Build - Bag U, V - Step 5

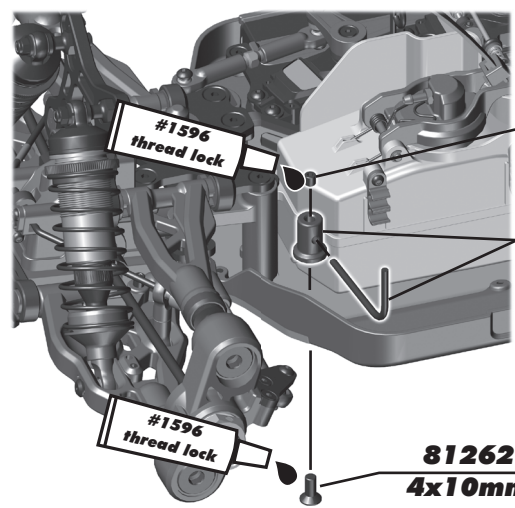


31531
3x6mm
BHCS

81124
Air Filter
Mount

#1596
thread lock

89218
3x8mm
Washer



#1596
thread lock

7732
4x4mm
Set Screw

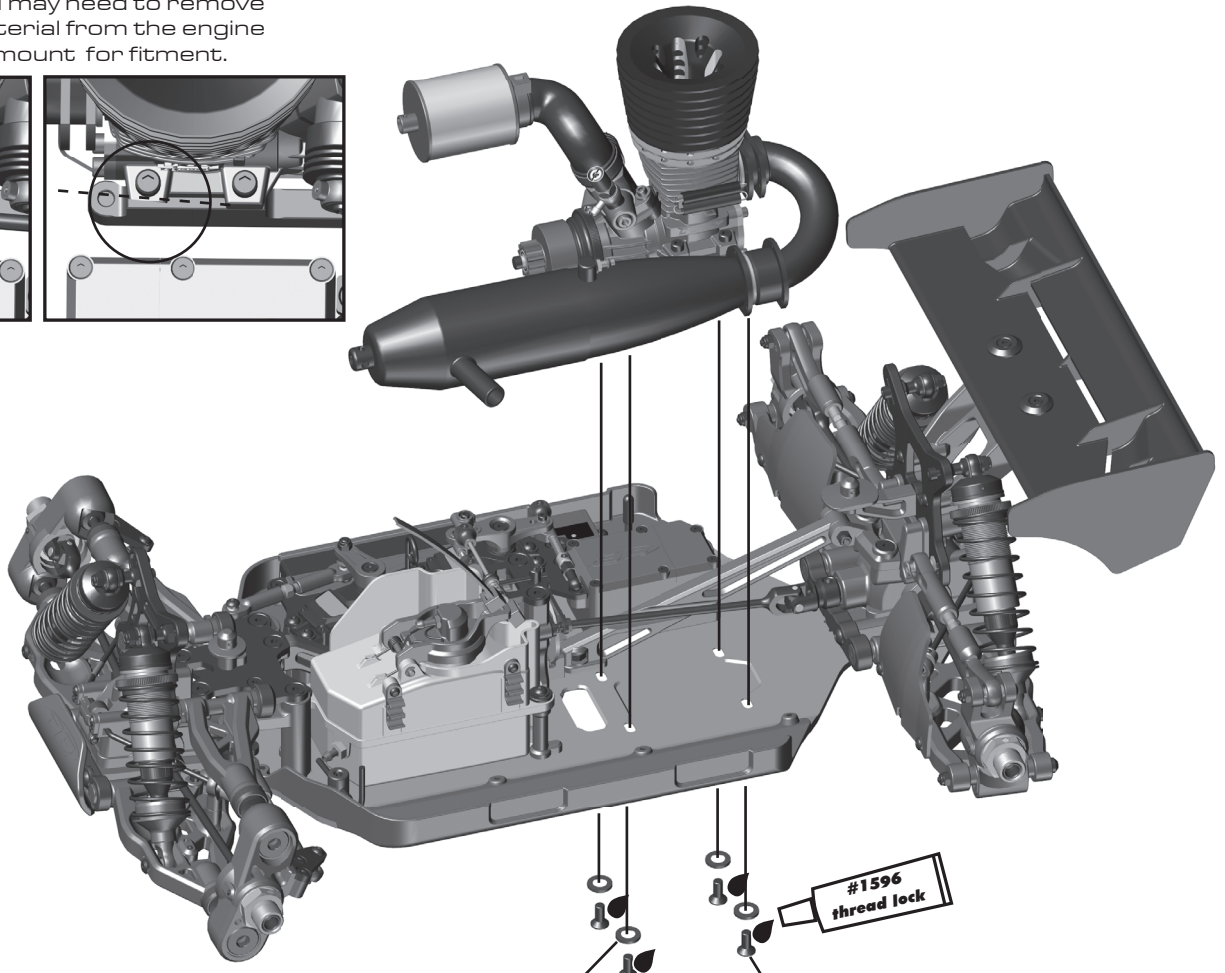
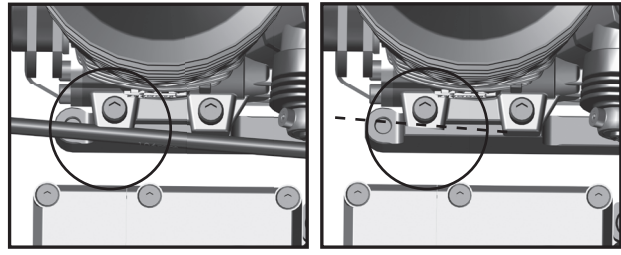
81118
Pipe
Mount

81262
4x10mm
FHCS

:: Engine / Tank Build - Bag U, V - Step 6



When installing your engine, make sure the rear drive shaft does not interfere with the engine mount. You may need to remove material from the engine mount for fitment.

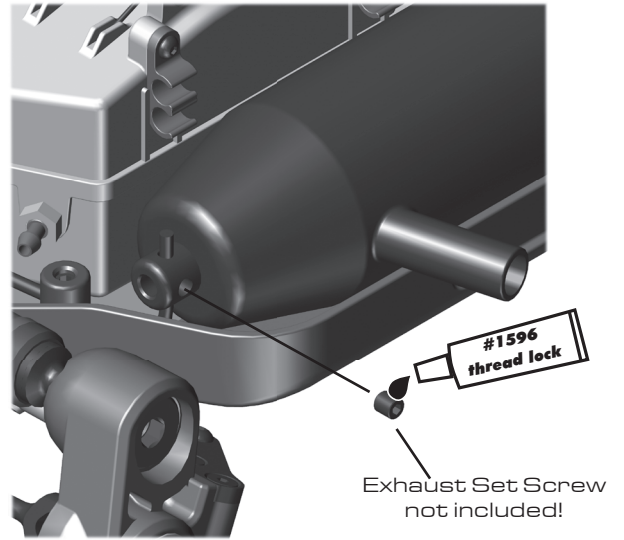
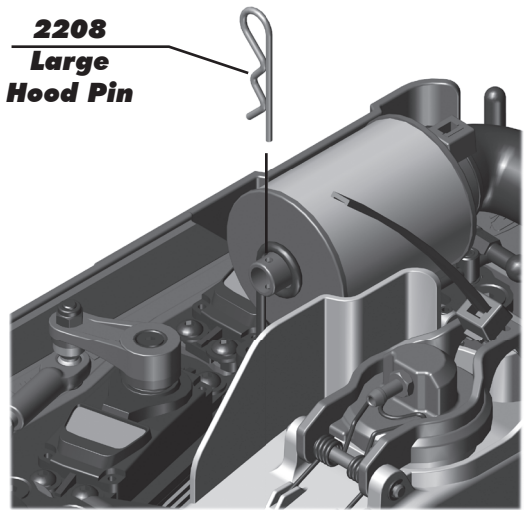


81114 x4
Engine
Mount
Washer

#1596
thread lock

81262 x4
4x10mm
FHCS

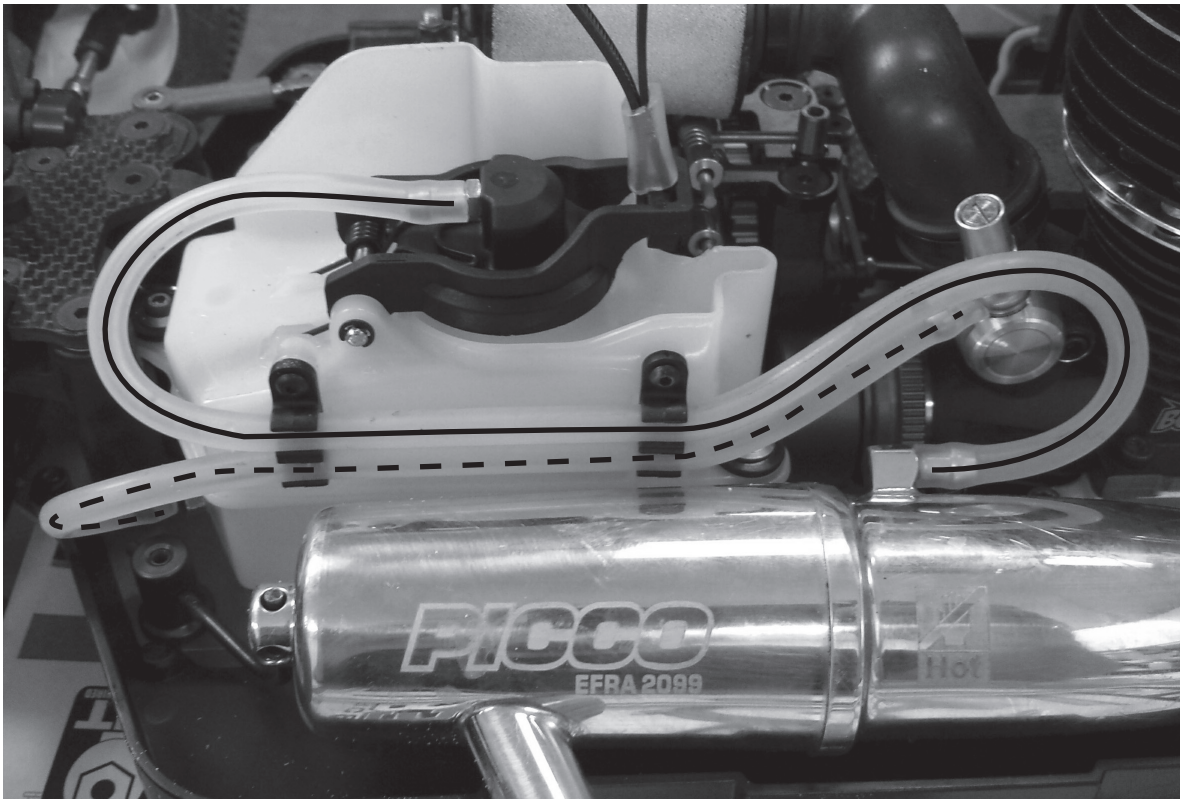
:: Engine / Tank Build - Bag U, V - Step 7



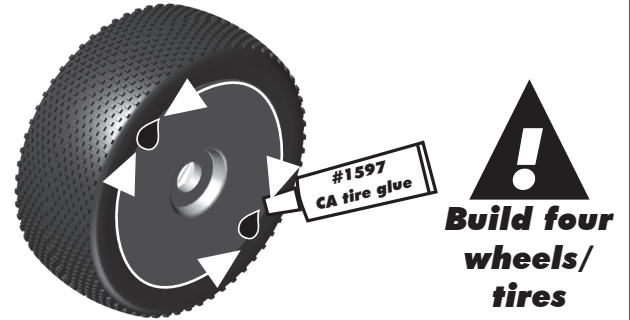
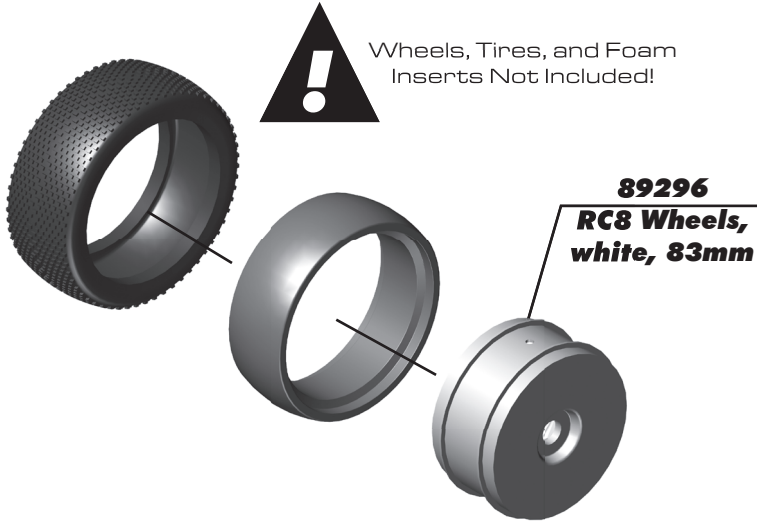
:: Engine / Tank Build - Bag U, V - Step 8

**Pressure line from
fuel tank lid to
exhaust pipe**

**Fuel line from fuel
tank to carburetor**

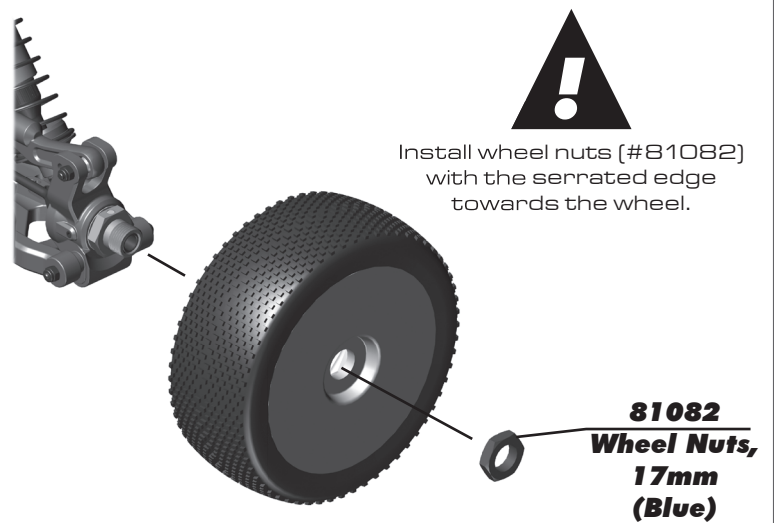
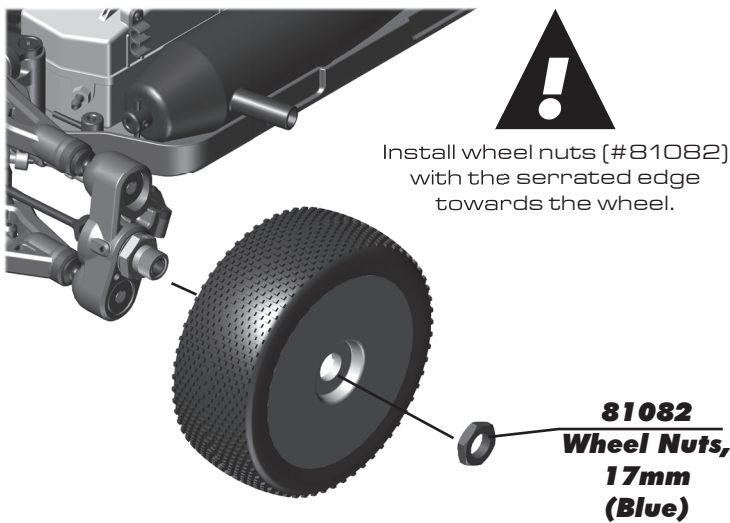


:: Wheels / Tires / Body - Misc. - Step 1

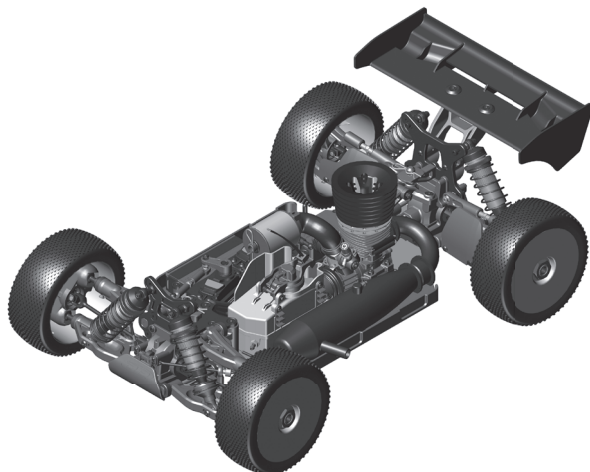


Tires:
When gluing tires to wheels, use a fast-curing tire glue [CA] [AE # 1597]. This is available at your local hobby shop. Make sure to clean the mounting surface of the tire and wheel with alcohol for best adhesion.

:: Wheels / Tires / Body - Misc. - Step 2



:: Wheels / Tires / Body - Misc. - Step 3



Painting Tips:

Your RC8BB3 Kit comes with a clear polycarbonate body. You will need to prep the body before you can paint it. Wash the inside thoroughly with warm water and liquid detergent. Dry the body using a clean, soft, lint-free cloth. Install the window masks on the inside of the body. (RC cars get painted from the inside). Using high quality masking tape, apply tape to the inside of the body to create a design. Spray (either rattle can or airbrush R/C specific paint) the paint to the inside of the body (preferably dark colors first, lighter colors last).

NOTE: use ONLY paint that is recommended for use with (polycarbonate) plastics. If you do not, you can destroy the polycarbonate body!!!

After painting, cut the body along the trim lines. Make sure to drill or use a body reamer to make the holes for the body mounts and antenna!

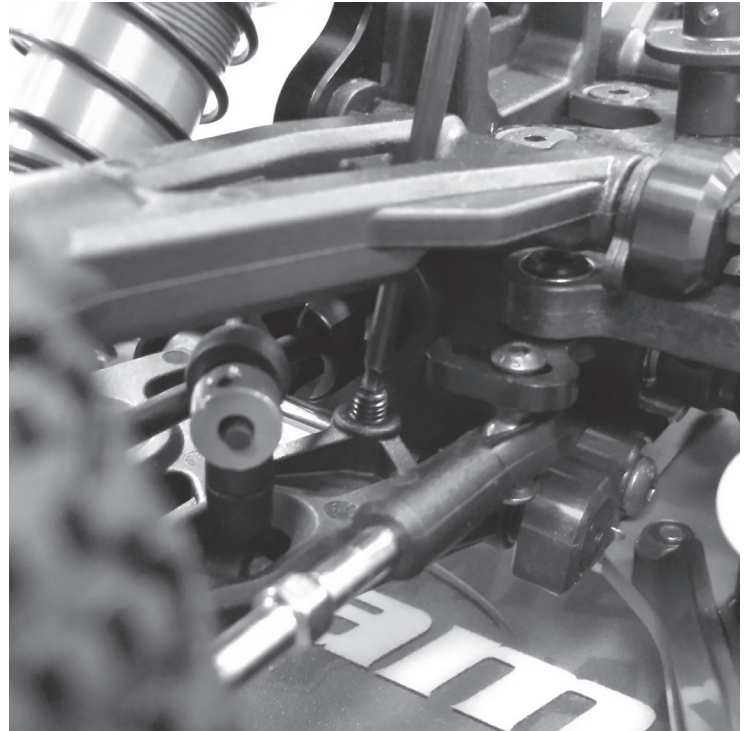
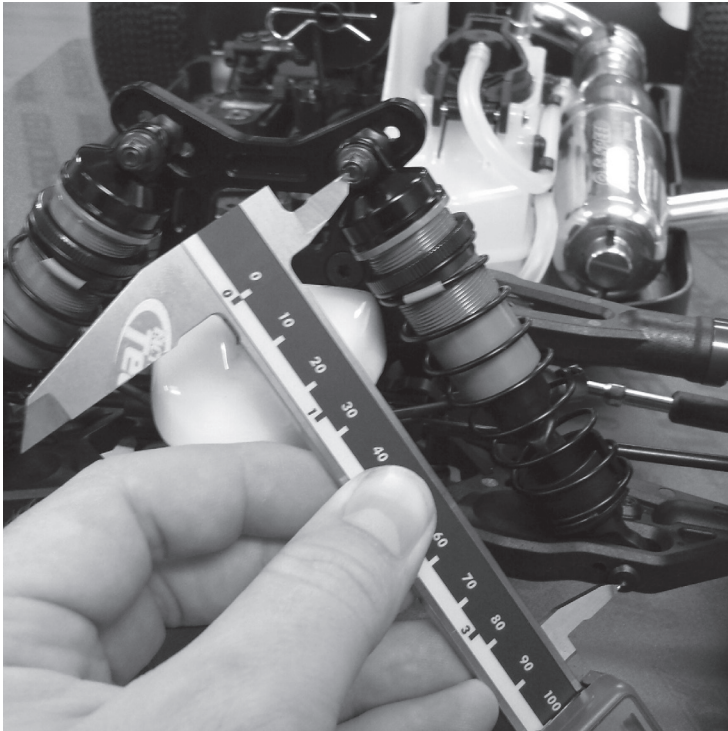
:: Droop Settings

Set droop by measuring overall length of shock (from standoff to shock pin) while the chassis is elevated above your working surface. The shocks should be fully extended.

Kit setup for front droop is 104mm shock length, and 124mm shock length for the rear.

If the shock length is too long, adjust by turning the droop screws clockwise.

If the shock length is too short, adjust by turning the droop screws counter-clockwise.



Front Droop: Increasing front droop (loosen droop screws) will increase off-throttle steering. It also allows the front end to lift more, giving more rear grip and less front grip on-power. Remember to never loosen the screws beyond the FULL DROOP setting. Decreasing front droop (tighten droop screws) yields more on-power steering and quicker response at the expense of some stability in bumpy sections. It will also give less off-throttle steering.

Rear Droop: Increasing rear droop (loosen droop screws) will increase traction in bumpy sections, but will reduce high-speed stability. Remember to never loosen the screws beyond the FULL DROOP setting. Decreasing rear droop (tighten droop screws) will increase stability in high speed sections, but will reduce stability in bumpy sections.

Setup Sheets:

Most often the best way to get your car handling right is to go to our website www.rc10.com and click on the "Setup Sheets" link, then the link to your vehicle, then search for your vehicle. Our team of professional drivers help develop these setups at National events. Also, most drivers have a "base" setup that they use as a starting point for every event. Try running some of our base setups OR look for track conditions and tires that are similar to your local track and mimic that setup. Remember, each adjustment has a purpose, so copy everything from the setup sheet and then make adjustments based on the recommendations in here at <http://www.rc10.com/rc/tuning>.

:: Shocks

81156	RC8B3 Shock Kit (Front)	1
81157	RC8B3 Shock Kit (Rear)	1
81160	RC8B3 Shock Body, 30.5mm	2
81161	RC8B3 Shock Body, 39.5mm	2
81170	RC8B3 Shock Shaft, 30.5mm	2
81171	RC8B3 Shock Shaft, 39.5mm	2
81180	RC8B3 Shock Cap	2
81181	RC8B3 Shock Cap Insert	2
81182	RC8B3 Shock Bladder	2
81183	RC8B3 Spring Collar	2
81185	RC8B3 Shock Rebuild Kit	2
81186	RC8B3 Shock O-Ring	8
81188	RC8B3 Shock Body Seal Retainer	2
81190	RC8B3 Shock Boots	4
81193	RC8B3 Shock Rod End & Spring Cup	2
81200	RC8B3 Shock Pistons (6x1.3 - KIT, 6x1.3 T, 8x1.2 T)	2 ea.
89215	Shock Piston Locknut	10
89278	Washer, 2.5mm	20

:: Shock Fluid

5420	10 Weight Silicone Shock Fluid	2oz.
5421	20 Weight Silicone Shock Fluid	2oz.
5422	30 Weight Silicone Shock Fluid	2oz.
5423	40 Weight Silicone Shock Fluid	2oz.
5424	22.5 Weight Silicone Shock Fluid	2oz.
5425	80 Weight Silicone Shock Fluid	2oz.
5426	27.5 Weight Silicone Shock Fluid	2oz.
5427	15 Weight Silicone Shock Fluid	2oz.
5428	25 Weight Silicone Shock Fluid	2oz.
5429	35 Weight Silicone Shock Fluid	2oz.
5430	45 Weight Silicone Shock Fluid	2oz.
5431	55 Weight Silicone Shock Fluid	2oz.
5432	32.5 Weight Silicone Shock Fluid	2oz.
5433	37.5 Weight Silicone Shock Fluid	2oz.
5434	42.5 Weight Silicone Shock Fluid	2oz.
5435	50 Weight Silicone Shock Fluid	2oz.
5436	60 Weight Silicone Shock Fluid	2oz.
5437	70 Weight Silicone Shock Fluid	2oz.
5438	47.5 Weight Silicone Shock Fluid	2oz.



Front:
81170

Rear:
81171

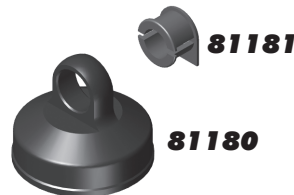


81190



81193

81193



81180



81182



Front:
81160

Rear:
81161



81185



81185



89066



81185



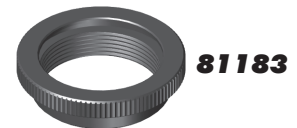
89066



81188



81185



81183



Kit Front:
81214

Kit Rear:
81219



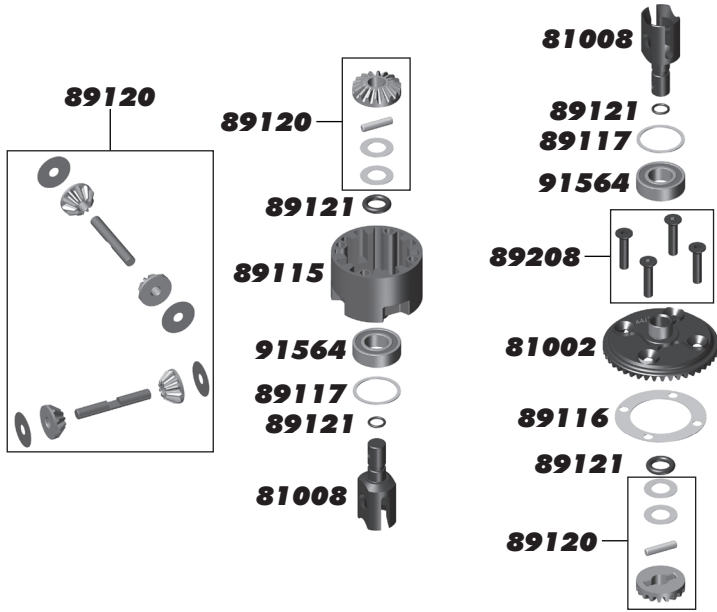
81193

:: Springs

81213	RC8B3 Front Spring, 4.7lb/in, Gray	Pr.
81214	RC8B3 Front Spring, 5.0lb/in, Blue - KIT	Pr.
81215	RC8B3 Front Spring, 5.4lb/in, Yellow	Pr.
81218	RC8B3 Rear Spring, 4.1lb/in, Gray	Pr.
81219	RC8B3 Rear Spring, 4.3lb/in, Blue - KIT	Pr.
81220	RC8B3 Rear Spring, 4.6lb/in, Yellow	Pr.

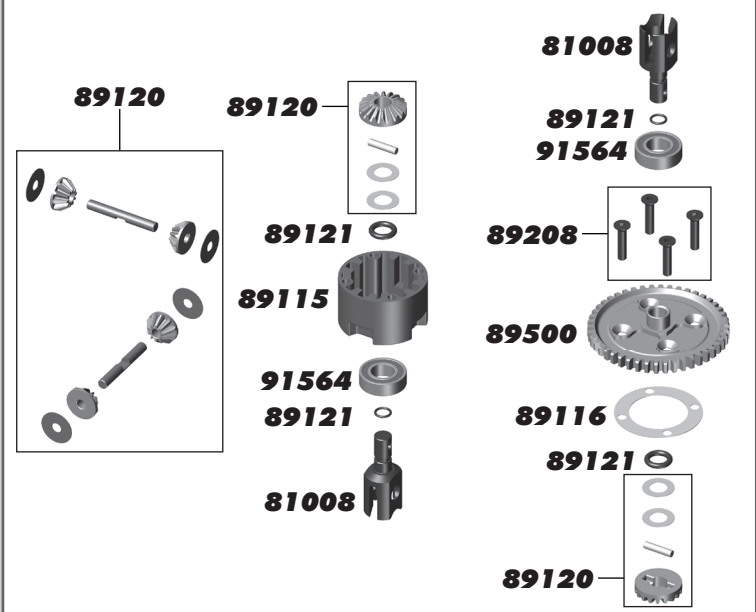
:: Front / Rear Gear Differential

81002	RC8B3 Diff Ring Gear, 44T	1
81008	RC8B3 Diff Outdrives	2
89115	Diff Housing	1
89116	Diff Gasket	4
89117	Diff Shims	8
89120	Diff Sun/Planet Gears, Includes Washers and Pins, Set	1
89121	Diff O-Rings, Big and Small, Set	1
89208	3 x 14mm FHCS	10
91564	8 x 16 x 5 Bearings	2



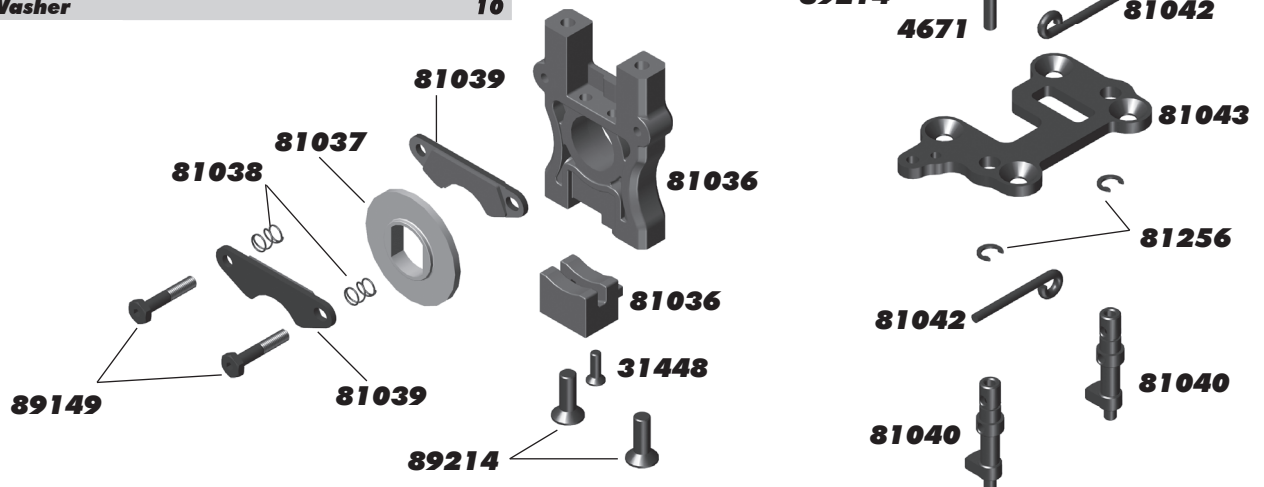
:: Center Gear Differential

81008	RC8B3 Diff Outdrives	2
89115	Diff Housing	1
89116	Diff Gasket	4
89120	Diff Sun/Planet Gears, Includes Washers and Pins, Set	1
89121	Diff O-Rings, Big and Small, Set	1
89208	3 x 14mm FHCS	10
89500	Light Spur Gear 46T, Includes Diff Gasket	1
91564	8 x 16 x 5 Bearings	2



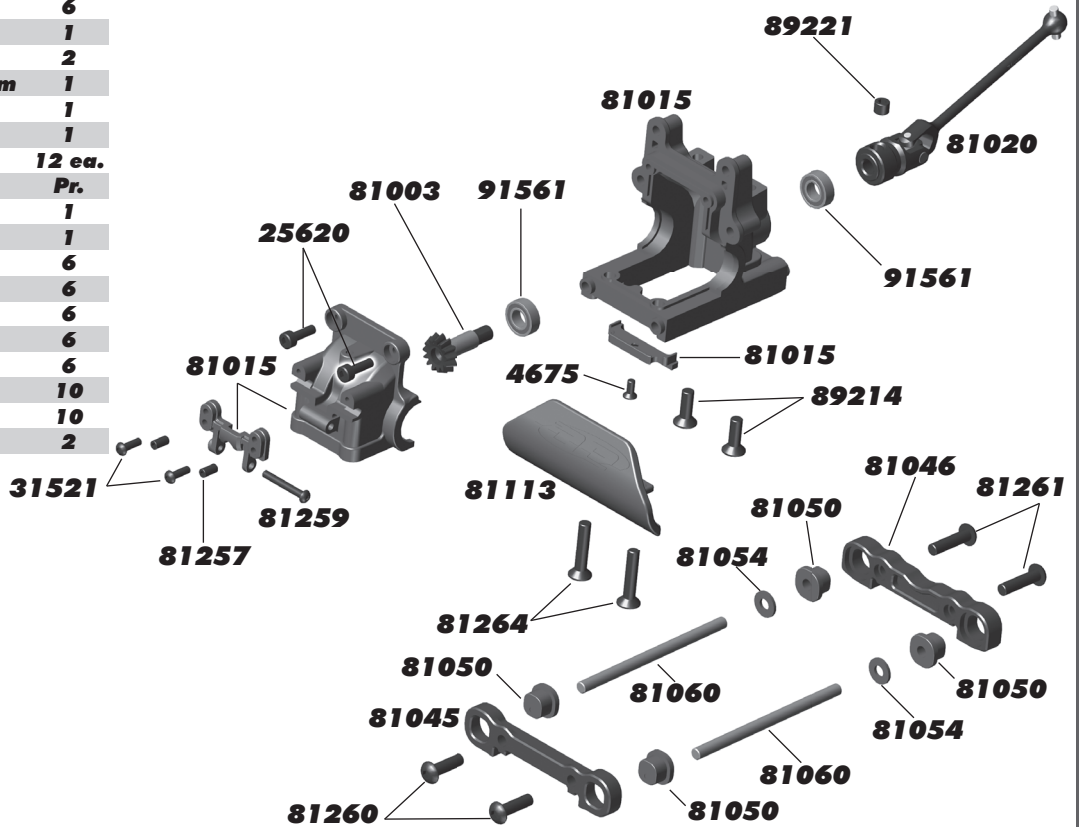
:: Center Bulkhead

4671	3 x 10mm Set Screw	6
25225	3 x 3mm Set Screw	20
31448	2.5 x 8mm FHCS	6
31531	3 x 6mm BHCS	6
81036	RC8B3 Center Bulkhead, 2 wide, 2 narrow	1
81037	RC8B3 Brake Rotor	2
81038	RC8B3 Brake Pad Spring - KIT	4
81039	RC8B3 Brake Pad, 2 inside, 2 outside, 4 springs	1
81040	RC8B3 Brake Cam	2
81042	RC8B3 Brake Lever	2
81043	RC8B3 Center Top Plate	1
81124	RC8B3 Air Filter, Boot, and Mount	1
81256	C-Clip, 5mm	6
89149	Brake Bolt	4
89214	4 x 12mm FHCS	10
89218	3 x 8mm Washer	10



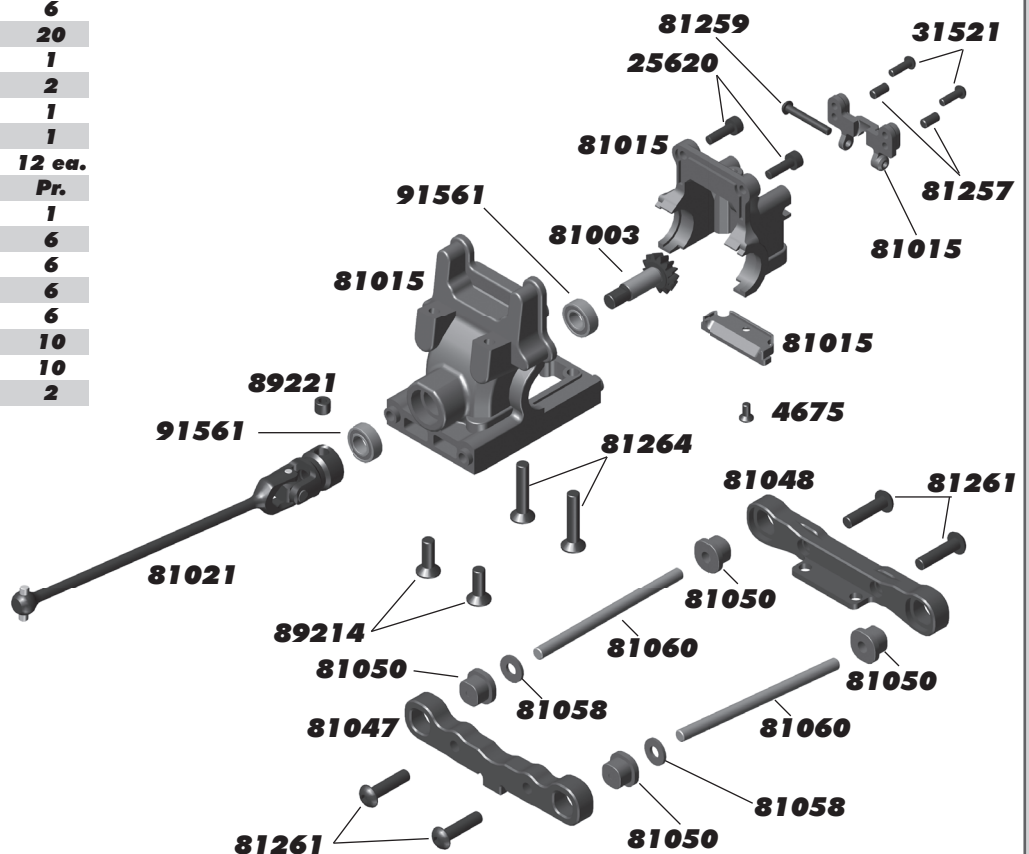
:: Front Gearbox

4675	2.5 x 6mm FHCS	6
25620	3 x 10mm SHCS	20
31521	2.5 x 8mm BHCS	6
81003	RC8B3 Diff Pinion Gear, 13T	1
81015	RC8B3 Gearbox	2
81020	RC8B3 Center Universal, 76mm	1
81045	RC8B3 Arm Mount, A	1
81046	RC8B3 Arm Mount, B	1
81050	RC8B3 Arm Mount Insert	12 ea.
81054	RC8B3 Front Arms	Pr.
81060	RC8B3 Hinge Pin Set	1
81113	RC8B3 Front Bumper	1
81257	3 x 6mm Set Screw	6
81259	2.5 x 18mm BHCS	6
81260	4 x 14mm BHCS	6
81261	4 x 16mm BHCS	6
81264	4 x 20mm FHCS	6
89214	4 x 12mm FHCS	10
89221	5 x 4mm Set Screw	10
91561	Bearing, 6 x 12 x 4mm	2



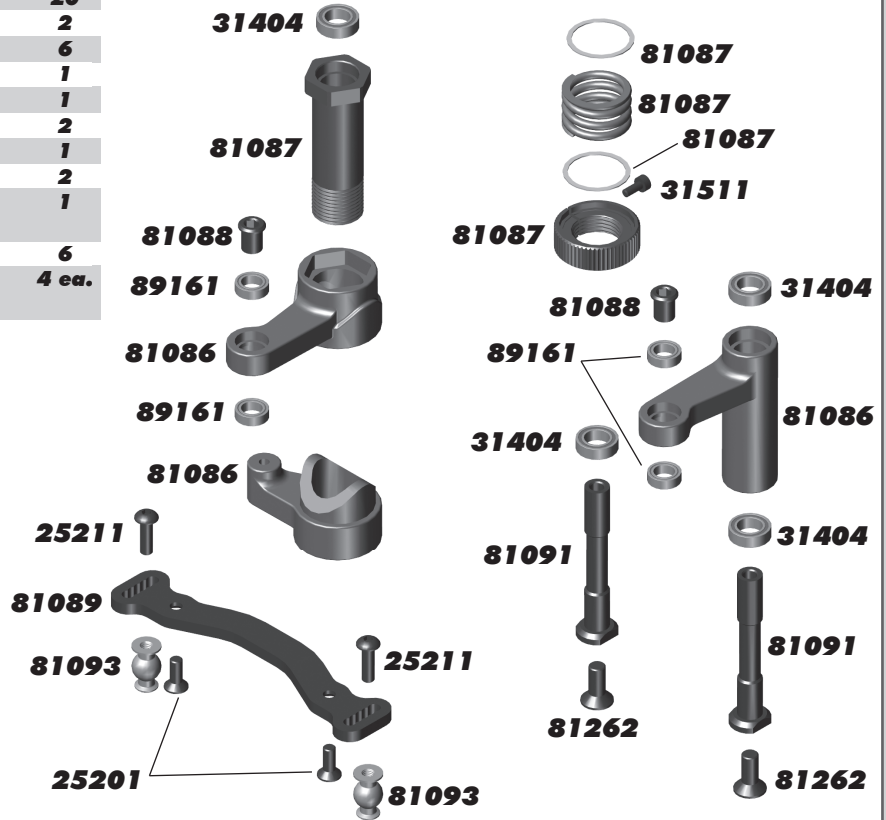
:: Rear Gearbox

4675	2.5 x 6mm FHCS	6
25620	3 x 10mm SHCS	20
81003	RC8B3 Diff Pinion Gear, 13T	1
81015	RC8B3 Gearbox	2
81047	RC8B3 Arm Mount, C	1
81048	RC8B3 Arm Mount, D	1
81050	RC8B3 Arm Mount Insert	12 ea.
81058	RC8B3 Rear Arm	Pr.
81060	RC8B3 Hinge Pin Set	1
81257	3 x 6mm Set Screw	6
81259	2.5 x 18mm BHCS	6
81261	4 x 16mm BHCS	6
81264	4 x 20mm FHCS	6
89214	4 x 12mm FHCS	10
89221	5 x 4mm Set Screw	10
91561	Bearing, 6 x 12 x 4mm	2



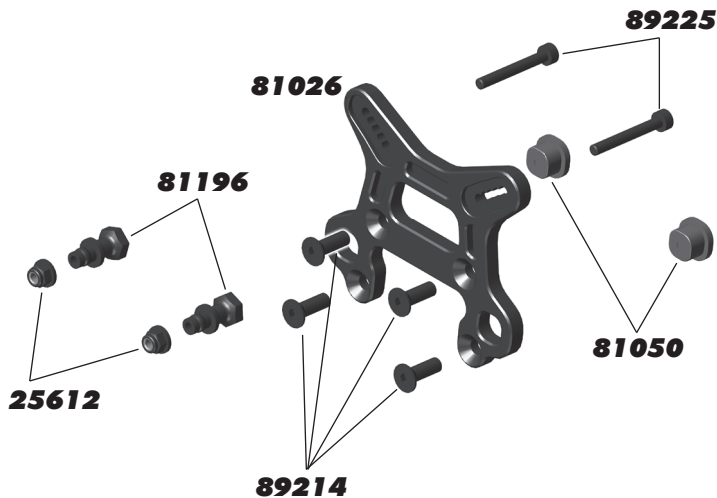
:: Steering

25201	3 x 8mm FHCS	20
25211	3 x 10mm BHCS	20
31404	Bearing, 6 x 10 x 3mm	2
31511	2 x 5mm SHCS	6
81086	RC8B3 Steering Bellcrank	1
81087	RC8B3 Servo Saver Tube	1
81088	RC8B3 Steering Bellcrank Nut	2
81089	RC8B3 Steering Rack	1
81091	RC8B3 Steering Post	2
81093	RC8B3 Rod End, 4mm (4 ball joints, 2 rod ends, 2 offset rod ends)	1
81262	4 x 10mm FHCS	6
89161	FT Steering Bearing Set, 5 x 8 x 2.5mm & 6 x 10 x 3mm	4 ea.



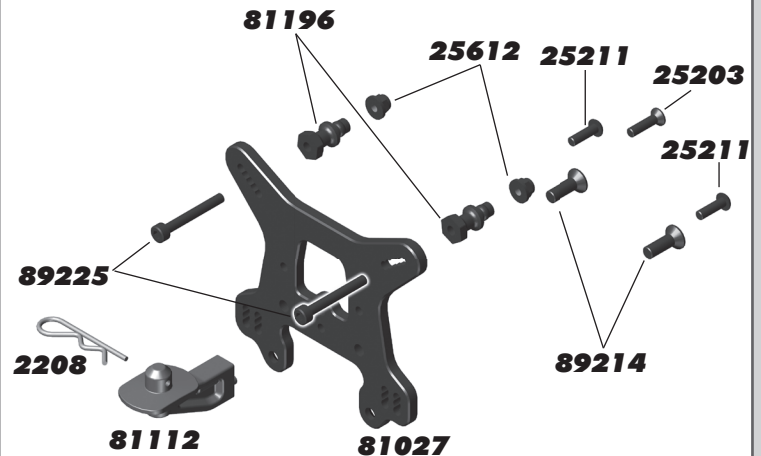
:: Front Shock Tower

25612	M3 Locknut with Flange, Black	20
81026	RC8B3 Shock Tower, Front	1
81050	RC8B3 Arm Mount Inserts	12 ea.
81196	RC8B3 Shock Bushing	4
89214	4 x 12mm FHCS	10
89225	3 x 24mm SHCS	10



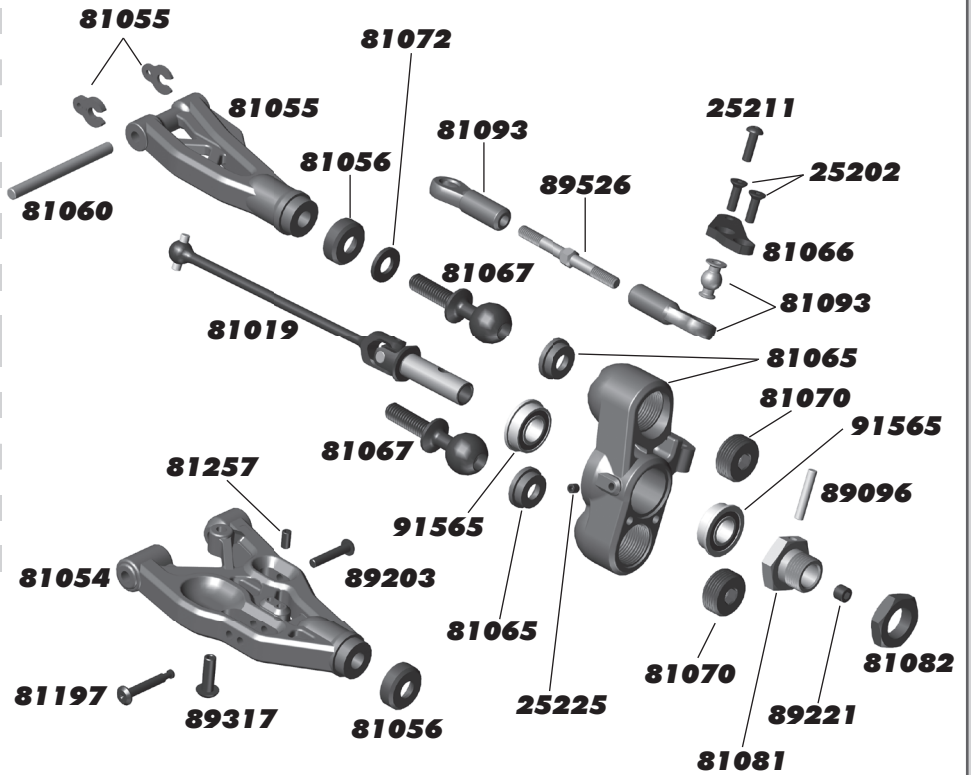
:: Rear Shock Tower

2208	Large Hood Pins	6
25203	3 x 12mm FHCS	20
25211	3 x 10mm BHCS	20
25612	M3 Locknut with Flange, Black	20
81027	RC8B3 Shock Tower, Rear	1
81112	RC8B3 Body Post	Pr.
81196	RC8B3 Shock Bushing	4
89214	4 x 12mm FHCS	10
89225	3 x 24mm SHCS	10



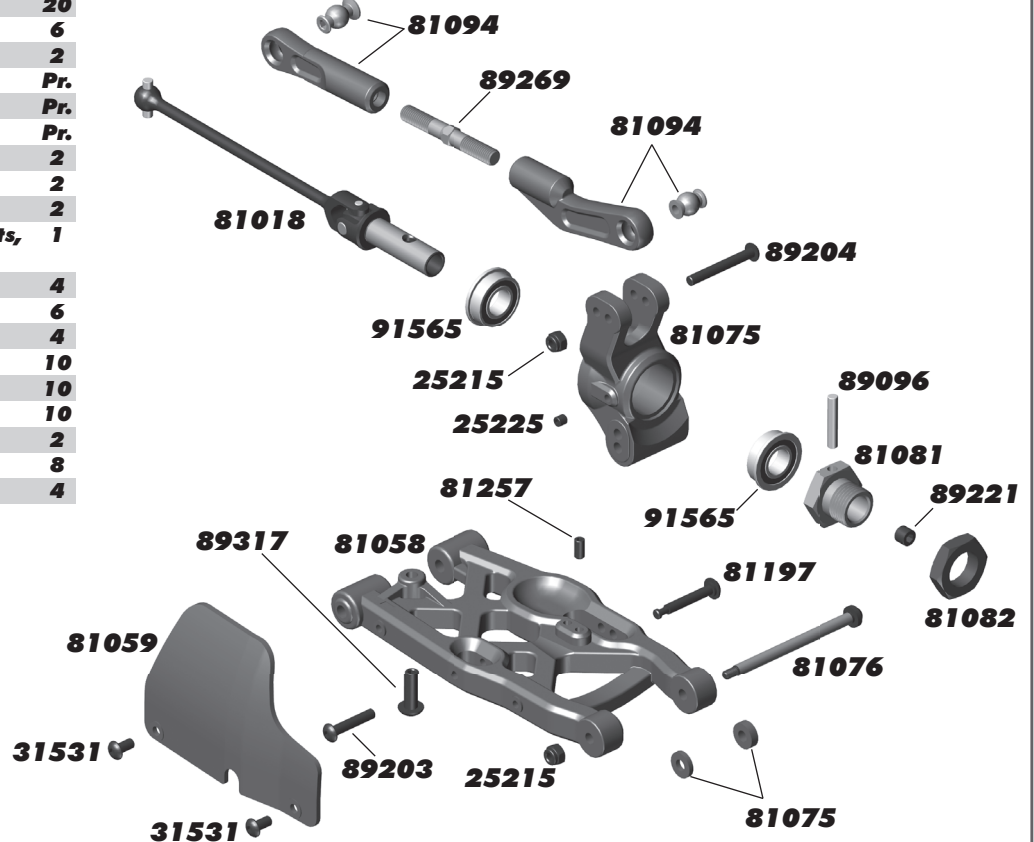
:: Front Suspension

25202	3 x 10mm FHCS	20
25211	3 x 10mm BHCS	20
25225	3 x 3mm Set Screw	20
81019	RC8B3 Universal, 93.5mm	2
81054	RC8B3 Front Arms	Pr.
81055	RC8B3 Front Upper Arms	Pr.
81056	RC8B3 Suspension Arm Endcap	4
81060	RC8B3 Hinge Pin Set	1
81065	RC8B3 Steering Block	Pr.
81066	RC8B3 Steering Block Arm	2
81067	RC8B3 Pillow Ball	2
81070	RC8B3 Pillow Ball Nut	4
81072	RC8B3 Pillow Ball Shim	6
81081	RC8B3 Hex Drives, 17mm Blue	2
81082	RC8B3 Wheel Nuts, 17mm Blue	2
81093	RC8B3 Rod End, 4mm (4 ball joints, 2 rod ends, 2 offset rod ends)	1
81197	RC8B3 Shock Pin	4
81257	3 x 6mm Set Screw	6
89096	Wheel Hex Pin	4
89203	3 x 16mm BHCS	10
89221	5 x 4mm Set Screw	10
89317	Droop Screw	8
89526	4 x 50mm Turnbuckle	2
91565	8 x 16 x 5 Flanged Bearing	4



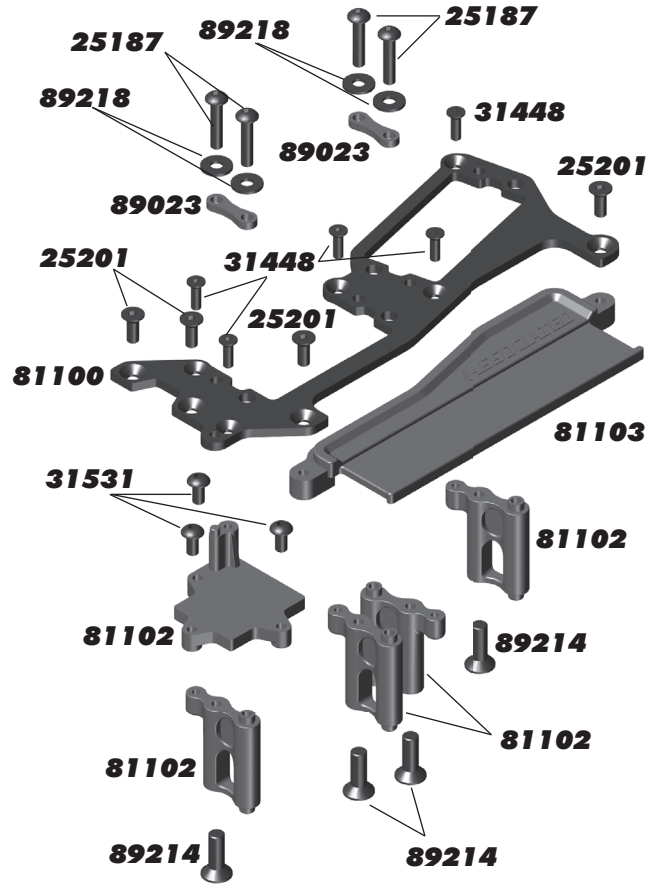
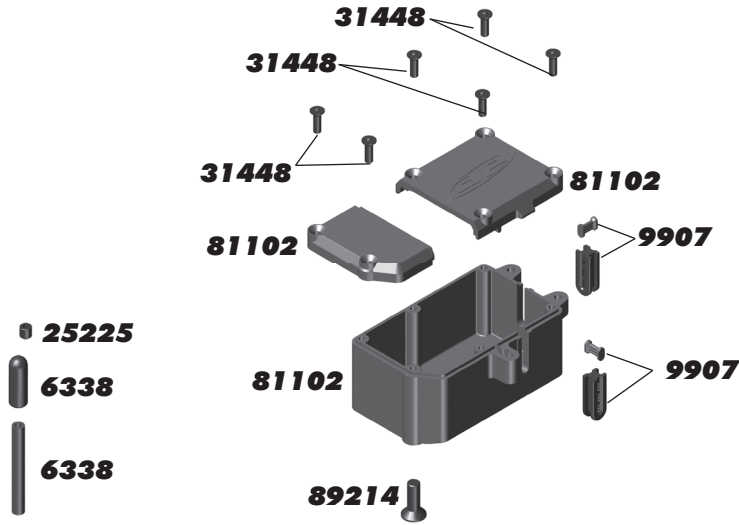
:: Rear Suspension

25215	M3 Locknut, Black	20
25225	3 x 3mm Set Screw	20
31531	3 x 6mm BHCS	6
81018	RC8B3 Universal, 90.5mm	2
81058	RC8B3 Rear Arm	Pr.
81059	RC8B3 Rear Arm Mud Guard	Pr.
81075	RC8B3 Rear Hub	Pr.
81076	RC8B3 Hub Hinge Pin	2
81081	RC8B3 Hex Drives, 17mm Blue	2
81082	RC8B3 Wheel Nuts, 17mm Blue	2
81094	RC8B3 Rod End, 5mm (4 ball joints, 2 rod ends, 2 offset rod ends)	1
81197	RC8B3 Shock Pin	4
81257	3 x 6mm Set Screw	6
89096	Wheel Hex Pin	4
89203	3 x 16mm BHCS	10
89204	3 x 24mm BHCS	10
89221	5 x 4mm Set Screw	10
89269	Steel Turnbuckle, 38mm	2
89317	Droop Screw	8
91565	8 x 16 x 5 Flanged Bearing	4



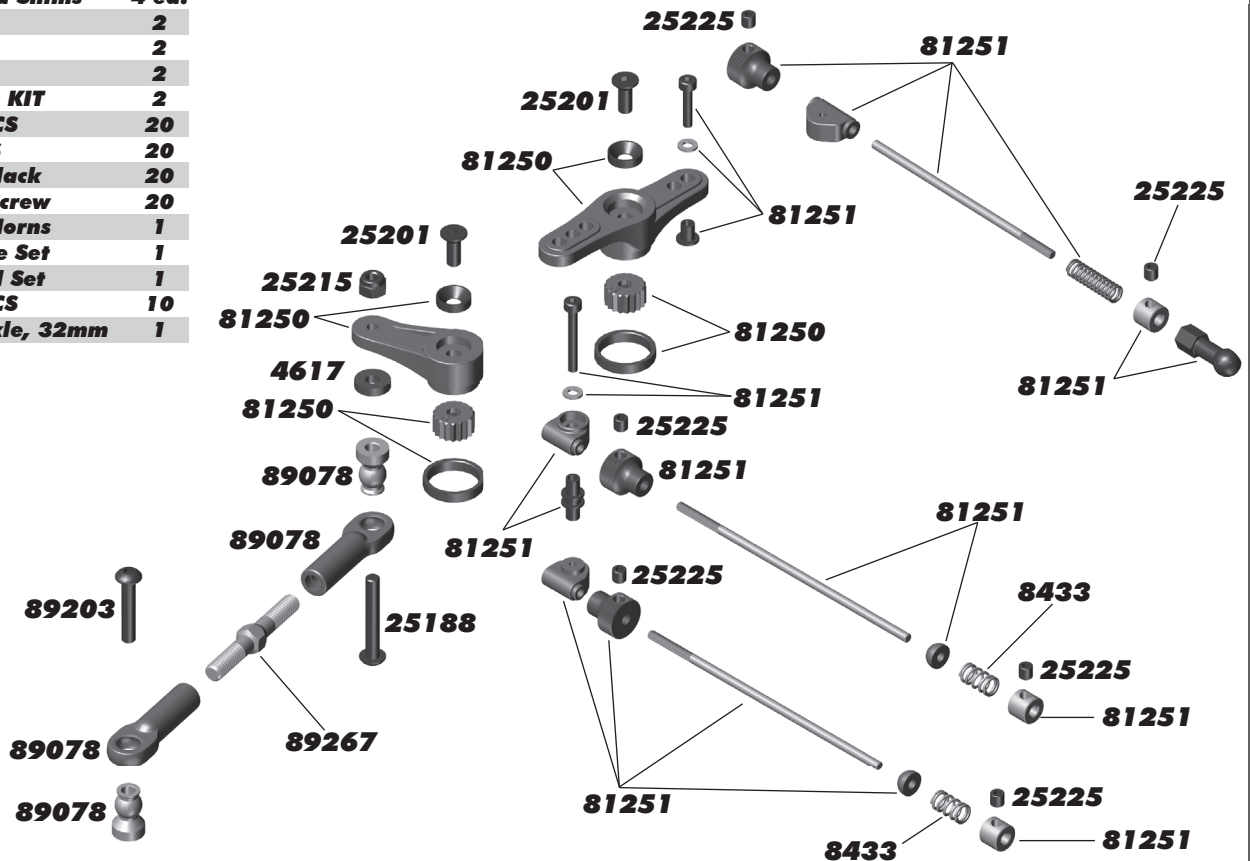
:: Radio Tray

6338	Antenna Tube with Cap, Black	1
9907	Receiver Box Grommets	2 ea.
25187	3 x 14mm BHCS	20
25201	3 x 8mm FHCS	20
25225	3 x 3mm Set Screw	20
31448	2.5 x 8mm FHCS	6
31531	3 x 6mm BHCS	6
81100	RC8B3 Radio Tray	1
81102	RC8B3 Receiver Box	1
81103	RC8B3 Receiver Battery Tray	1
89023	Servo Mount Spacers	1
89214	4 x 12mm FHCS	10
89218	3 x 8mm Washer	10



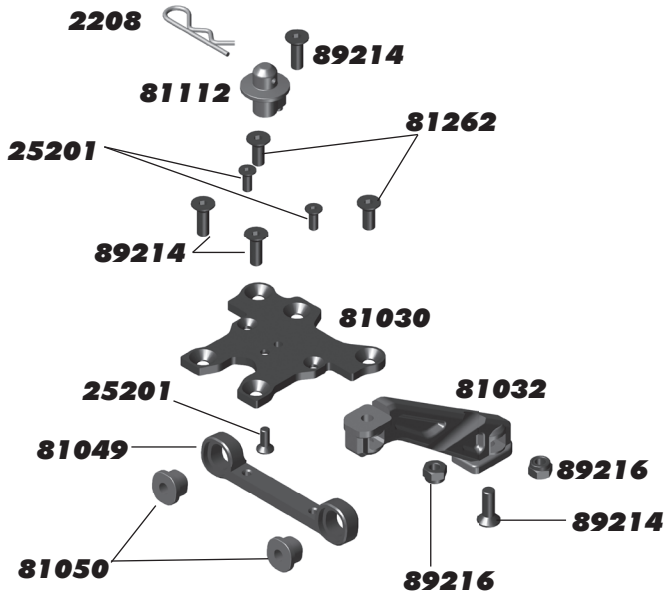
:: Linkage

4617	Front Bulkhead Shims	4 ea.
8427	.018" Spring	2
8429	.020" Spring	2
8431	.022" Spring	2
8433	.024" Spring - KIT	2
25188	3 x 20mm BHCS	20
25201	3 x 8mm FHCS	20
25215	M3 Locknut, Black	20
25225	3 x 3mm Set Screw	20
81250	RC8B3 Servo Horns	1
81251	RC8B3 Linkage Set	1
89078	Servo Link Rod Set	1
89203	3 x 16mm BHCS	10
89267	Steel Turnbuckle, 32mm	1



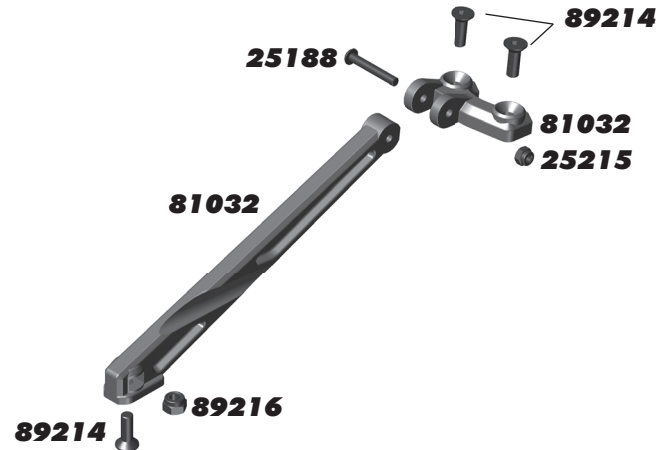
:: Front Chassis Brace

2208	Large Hood Pins	6
25201	3 x 8mm FHCS	20
81030	RC8B3 Top Plate	1
81032	RC8B3 Chassis Brace	Pr.
81049	RC8B3 Upper Link Mount	1
81050	RC8B3 Arm Mount Insert	12 ea.
81112	RC8B3 Body Post	Pr.
81262	4 x 10mm FHCS	6
89214	4 x 12mm FHCS	10
89216	M4 Locknut	10



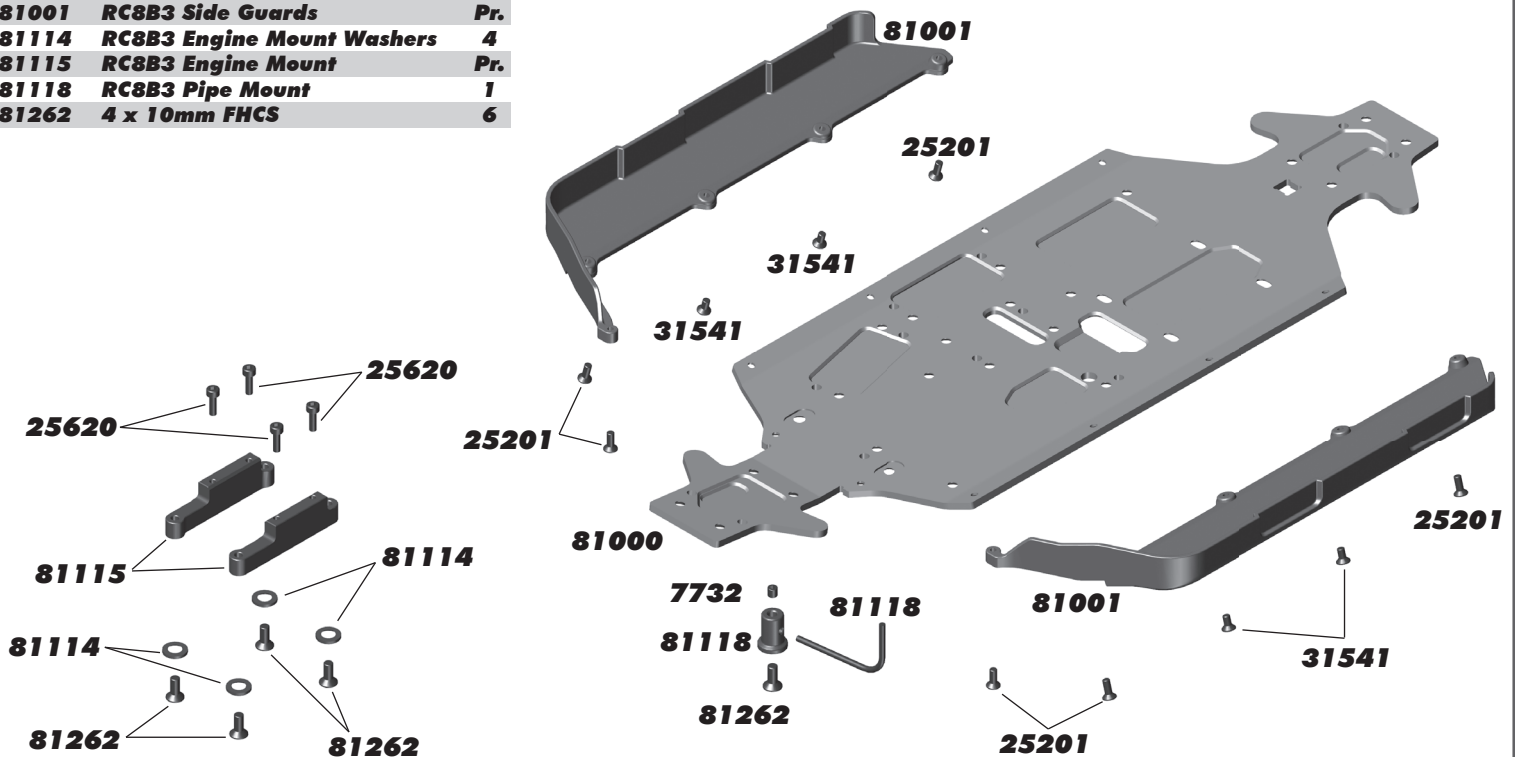
:: Rear Chassis Brace

25188	3 x 20mm BHCS	20
25215	M3 Locknut, Black	20
81032	RC8B3 Chassis Brace	Pr.
89214	4 x 12mm FHCS	10
89216	M4 Locknut	10



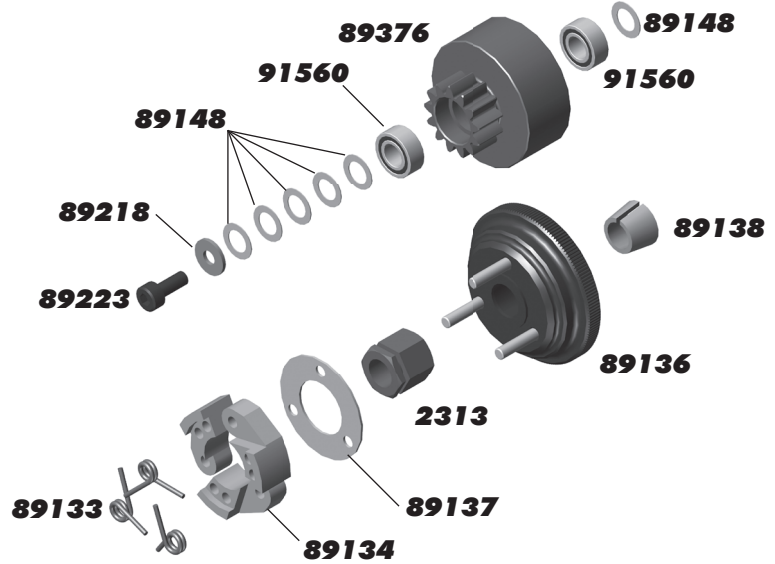
:: Chassis

7732	4 x 4mm Set Screw	6
25201	3 x 8mm FHCS	20
25620	3 x 10mm SHCS	20
31541	3 x 6mm FHCS	6
81000	RC8B3 Chassis	1
81001	RC8B3 Side Guards	Pr.
81114	RC8B3 Engine Mount Washers	4
81115	RC8B3 Engine Mount	Pr.
81118	RC8B3 Pipe Mount	1
81262	4 x 10mm FHCS	6



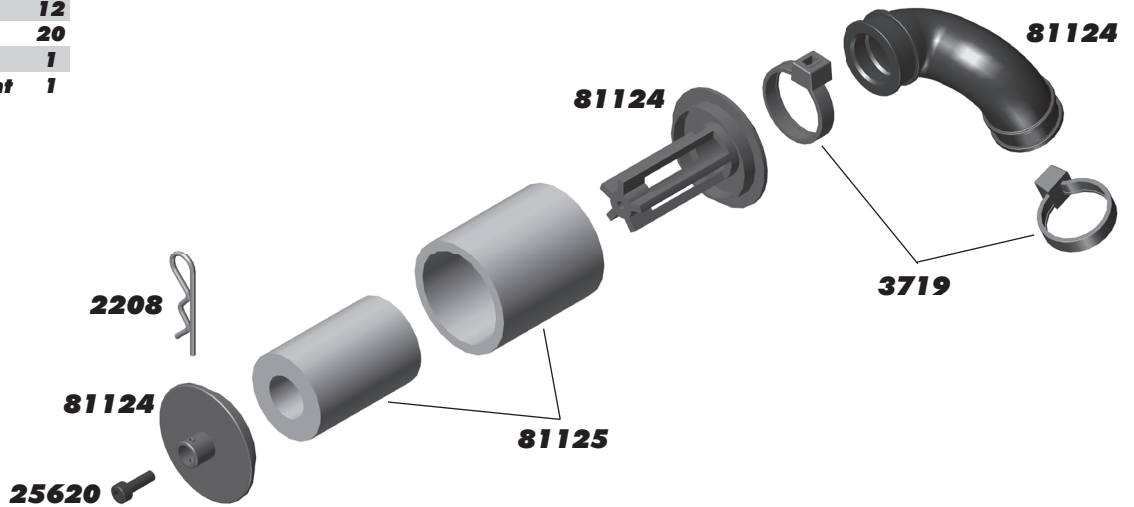
:: Clutch

2313	SG Crank Clutch Nut	1
89133	Clutch Spring, 1.0	3
89134	Clutch Shoe with Shim	3
89136	FT Flywheel (hard anodized)	1
89137	Clutch Shoe Shim	4
89138	Flywheel Collet	1
89148	Clutch Bell Shim Set	1
89218	3 x 8mm Washer	10
89223	3 x 8mm SHCS	10
89376	Clutch Bell, 13T - KIT	1
91560	5 x 10 x 4mm Bearing	2



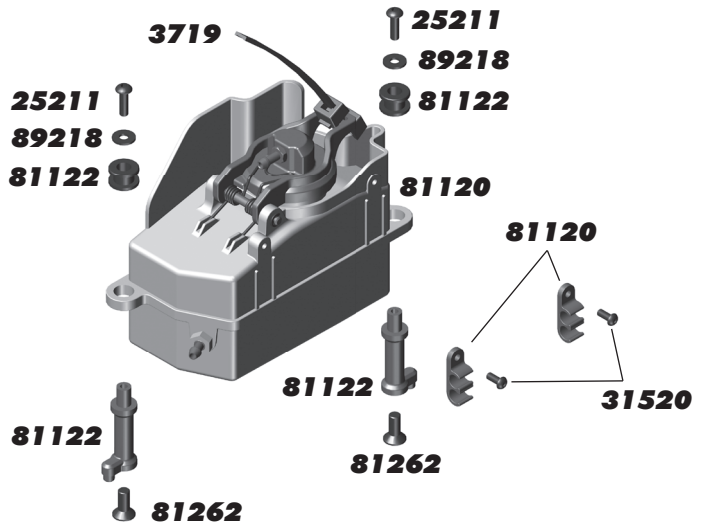
:: Air Filter

2208	Large Hood Pins	6
3719	Nylon Wire Tie, 6"	12
25620	3 x 10mm SHCS	20
81124	RC8B3 Air Filter & Boot	1
81125	RC8B3 Air Filter Element	1



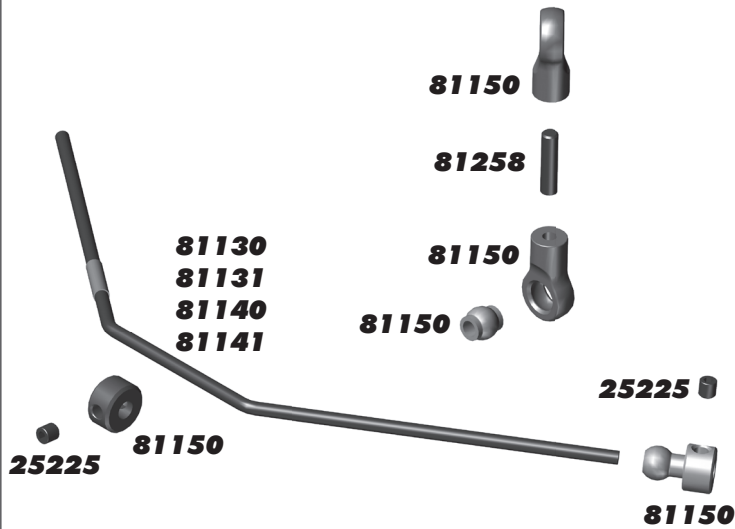
:: Fuel Tank

3719	Nylon Wire Tie, 6"	1
25211	3 x 10mm BHCS	20
31520	2.5 x 6mm BHCS	6
81120	RC8B3 Fuel Tank	1
81122	RC8B3 Tank Post / Grommet	2 ea.
81262	4 x 10mm FHCS	6
89218	3 x 8mm Washer	10



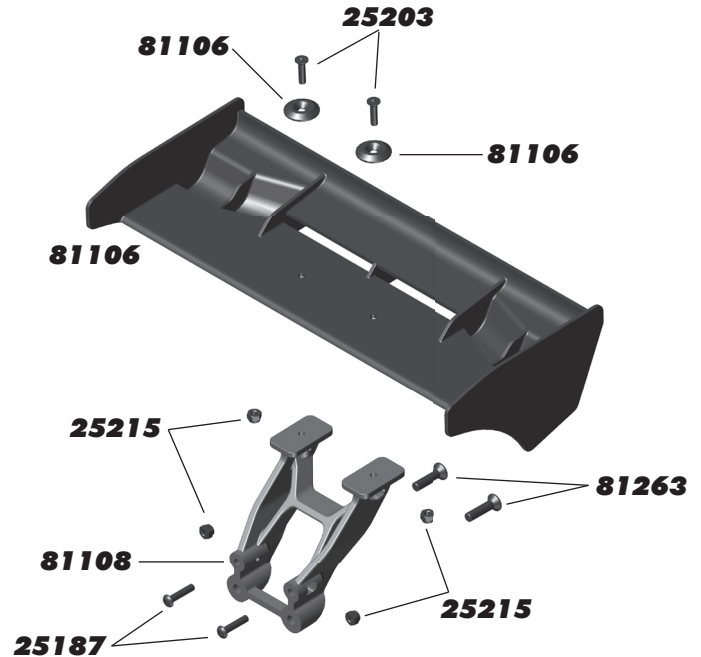
:: Anti-Roll Bars

25225	3 x 3mm Set Screw	20
81130	RC8B3 Front Anti-Roll Bars, updated 7/15/2015: 2.3mm (Black), 2.4mm (Green), 2.5mm (White)	1 ea.
81131	RC8B3 Front Anti-Roll Bars, updated 7/15/2015: 2.6mm (Gray), 2.7mm (Blue), 2.8mm (Yellow)	1 ea.
81140	RC8B3 Rear Anti-Roll Bars, updated 7/15/2015: 2.5mm (White), 2.6mm (Gray), 2.7mm (Blue)	1 ea.
81141	RC8B3 Rear Anti-Roll Bars, updated 7/15/2015: 2.8mm (Yellow), 2.9mm (Red), 3.0mm (Orange)	1 ea.
81150	RC8B3 Anti-Roll Bar Drop Link / Collet	1
81258	3 x 12mm Set Screw	6



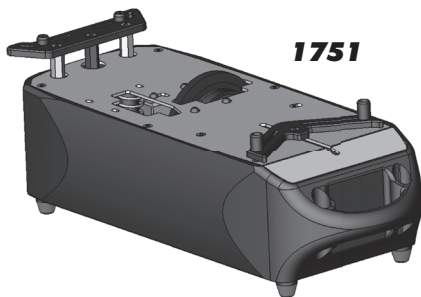
:: Wing

25187	3 x 14mm BHCS	20
25203	3 x 12mm FHCS	20
25215	M3 Locknut, Black	20
81106	RC8B3 Wing, Black (1 wing, 2 wing buttons)	1
81108	RC8B3 Wing Mount, 1 high, 1 low	1 ea.
81263	4 x 16mm FHCS	6



:: Fueling Supplies

1738	FT Glow Starter	2
1748	Nitro Fuel Bottle 600cc	1
1751	FT Compact Starter Box	1
7724	Fuel Line 15"	1
7725	Fuel Line 3'	1
7994	D-Size Glow Ignitor	1



:: Wheels / Tires / Bodies / Decals

716	Reedy 2009 Sticker Set	1
3816	American Bumper Sticker	1
3820	AE Logo Decal Sheet	1
3834	AE Blue Embossed Logo Sticker	2
9787	FT Chassis Protective Sheet	1
81110	RC8B3 Pro Line Body	1
81270	RC8B3 Decal Sheet	1
89152	RC8 Wheels (White)	4
89153	RC8 Wheels (Yellow)	4
89255	RTR Pre-Glued Wheel/Tire (White)	Pr.
89296	RC8 83mm Wheels (White)	4
89297	RC8 83mm Wheels (Yellow)	4



:: Factory Team and Option Parts

2357	Rear Exhaust Manifold Springs	2
7733	Exhaust Tubing Coupler	1
25094	Exhaust Manifold Springs	2
25392	3mm Blue Locknut, Flanged	10
29213	Servo Wire Extension	1
31550	M3 Aluminum Lock Nut	6
89094	Nyloc Wheel Hex Nuts, Blue	2
89095	Wheel Hex, Aluminum	2
89123	RC8 Heatsink Brake Disc	2
89127	Clutch Bell, 17T	1
89132	Clutch Bell, 16T	1
89136	RC8 Flywheel, Hard	1
89146	RC8/T Clutch Shoes, Hard	3
89147	Header Gasket	4
89157	0.9mm Clutch Spring	3
89158	1.1mm Clutch Spring	3
89159	Short Clutch Nut	1
89161	Steering Bearing Set	1
89178	FT 1/8 Scale Polished Header	1
89181	Muffler to Header Spring	3
89229	Blue Countersunk Washer	10
89265	Fiber Clutch Shoe	3
89273	RTR Tuned Pipe	1
89274	RTR Header	1
89375	Clutch Bell, 14T	1
89405	Nyloc Wheel Nuts (Silver)	4
89406	Nyloc Wheel Nuts (Black)	4
89473	Steel Shock Standoff	2
89495	RC8 FT Light Spur Gear, 44T	1

:: Reedy Batteries

302	AA Alkaline 1.5V (4)	1
304	LiPo Pro TX/RX Battery 1600mAh 7.4V Flat	1
305	LiFe Pro TX/RX Battery 1300mAh 6.6V Flat	1
315	LiPo Pro TX/RX Battery 2100mAh 7.4V Flat	1
613	NiMH RX Battery 1600mAh 6.0V Flat	1
637	LiPo TX Battery - M11X 2500mAh 7.4V	1

:: Reedy Electronics

616	423-S AC 35W Compact Balance Charger	1
27100	RS1206 Digital HV Hi-Speed Competition Servo	1
27101	RT1508 Digital HV Hi-Torque Competition Servo	1
27102	RS1206 Servo Case Set w/screws	1
27103	RS1206 Servo Gear Set	1
27104	RT1508 Servo Case Set w/screws	1
27105	RT1508 Servo Gear Set	1

:: Reedy Nitro Engine Accessories

28040	Pro RT3 Turbo Glow Plug	1
28041	Pro RT4 Turbo Glow Plug	1
28050	Reedy Glow Plug Caddy	1

:: Lubes & Adhesives / Misc.

1105	FT Green Slime Shock Lube	1
1596	FT Locking Adhesive	1
1597	FT Tire Adhesive, Medium	1
5450	Silicone Diff Fluid 1,000CST	1
5451	Silicone Diff Fluid 2,000CST	1
5452	Silicone Diff Fluid 3,000CST	1
5444	Silicone Diff Fluid 4,000CST	1
5453	Silicone Diff Fluid 5,000CST	1
5446	Silicone Diff Fluid 6,000CST	1
5447	Silicone Diff Fluid 15,000CST	1
5454	Silicone Diff Fluid 7,000CST	1
5455	Silicone Diff Fluid 10,000CST	1
5456	Silicone Diff Fluid 20,000CST	1
5457	Silicone Diff Fluid 30,000CST	1
5458	Silicone Diff Fluid 60,000CST	1
5448	Silicone Diff Fluid 80,000CST	1
5459	Silicone Diff Fluid 100,000CST	1
5461	Silicone Diff Fluid 200,000CST	1
5463	Silicone Diff Fluid 500,000CST	1
5465	Silicone Diff Fluid 1,000,000CST	1
6588	Black Grease - 4cc	1
6591	S.Diff Lube - 4cc	1
6636	Silicone Grease - 4cc	1
6727	Servo Tape	2
7710	FT Foam Prefilter Treatment, 1 oz.	1



1596

:: XP Electronics

304	LiPo Pro RX Battery 1600mAh 7.4V Flat	1
305	LiFe Pro RX Battery 1300mAh 6.6V Flat	1
612	NiMH RX Battery 1600mAh 6.0V Hump	1
613	NiMH RX Battery 1600mAh 6.0V Flat	1
631	LiPo RX Battery 2100mAh 7.4V	1
636	6.0V 5A Voltage Regulator	1
638	LiFe RX Battery 1700mAh 6.6V	1
29133	XP DS1903 Digital Servo	1
29134	XP DS1903MG Digital Servo	1
29128	C1016 Micro Servo	1
29115	Switch Harness	1
29116	4-AA Battery Harness	1
29166	XP DS1313 Digital Servo	1
29167	XP DS1015 Digital Servo	1
29168	XP DS1510 Digital Servo	1
29215	XP2G 2.4GHz Radio System	1
29216	XP3G 2.4GHz Radio System	1

:: Kicker

29269	KICKER KPw Wireless Speaker System, black	1
29270	KICKER KPw Wireless Speaker System, white	1

:: Qualifier Series Vehicles

7062	Pro SC 4x4 RTR, 1/10 Scale (ready-to-run)	1
7070	Pro Rally 4wd RTR, 1/10 Scale (ready-to-run)	1
20111	Rival Mini Monster Truck 1/18 Scale (ready-to-run)	1
20119	APEX Mini Touring 1/18 Scale (ready-to-run)	1
20510	RIVAL Electric Monster Truck RTR, 1/8 Scale (ready-to-run)	1
30112	APEX Touring V-Type, 1/10 Scale (ready-to-run)	1
30113	APEX Scion Racing FR-S 1/10 Scale (ready-to-run)	1
30113D	APEX Scion Racing FR-S Drift 1/10 Scale (ready-to-run)	1
30114	APEX Scion Racing tC 1/10 Scale (ready-to-run)	1
30115	APEX Lexus RC F, 1/10 Scale (ready-to-run)	1

:: 1/18 Kits and RTR's

20103	RC18B2 - RC18T2 Team Kit	1
20121	SC18 RTR Brushless (ready-to-run)	1

:: 1/12, 1/10 Kits and RTR's

4020	FT 12R5.2 Kit	1
7030	SC10 KMC Wheels Race Truck RTR (ready-to-run)	1
7038	FT SC10.2 Kit	1
7039	RC10T4.2 RS RTR 2.4GHz Brushless (ready-to-run)	1
7046	SC10 RS RTR, Lucas Oil (ready-to-run)	1
7049	SC10 RS RTR, Rockstar/Makita (ready-to-run)	1
7093	SC10GT RTR (ready-to-run)	1
9042	RC10B4.2 RS RTR 2.4GHz Brushless (ready-to-run)	1
9050	SC10B RS RTR (ready-to-run)	1
9063	FT B44.3 4WD Buggy Kit	1
30101	TC4 Club Racer 4WD Touring Car Race Roller	1
30109	FT TC6.2 Kit	1
70001	RC10T5M Team Kit	1
90001	RC10B5 Team Kit	1
90003	RC10B5M Team Kit	1

:: 1/8 Kits and RTR's

20501	MGT 4.60 SE RTR (ready-to-run)	1
20502	MGT 8.0 Nitro RTR (ready-to-run)	1
20503	Limited Edition MGT 4.60 Nitro RTR, w/flag body (ready-to-run)	1
20504	Limited Edition MGT 8.0 Nitro RTR, w/flag body (ready-to-run)	1
80907	RC8.2e Electric Buggy FT Kit	1
80908	RC8.2e Electric Buggy RTR (ready-to-run)	1
80909	RC8.2RS Nitro Buggy RTR (ready-to-run)	1
80912	RC8T Championship Edition	1

:: Tools

1111	FT Turnbuckle Wrench	1
1112	FT 4mm Turnbuckle Wrench	1
1449	Offroad Ride Height Gauge	1
1541	FT Hex Driver Set, (7 pcs)	1
1542	FT .050" Silver Hex Driver	1
1543	FT 1/16" Black Hex Driver	1
1544	FT 1.5mm Purple Hex Driver	1
1545	FT 5/64" Blue Hex Driver	1
1546	FT 3/32" Gold Hex Driver	1
1547	FT 2.5mm Green Hex Driver	1
1548	FT 3mm Red Hex Driver	1
1553	FT Phillips Silver Screwdriver	1
1554	FT Silver Spring Hook Tool	1
1562	FT 3/16" Black Nut Driver	1
1563	FT 1/4" Red Nut Driver	1
1564	FT 5.5mm Red Nut Driver	1
1565	FT 11/32" Green Nut Driver	1
1567	FT 8mm Gold Nut Driver	1
1589	FT 5/64" Blue Ball Hex Driver	1
1590	FT 3/32" Gold Ball Hex Driver	1
1592	FT Ball Hex Driver Set, (3 pcs)	1
1655	FT 8-Piece 1/4" Hex Drive Set	1
1656	FT 1/4" Hex Drive Handle, without tips	1
1657	FT 1/4" Hex Drive .050" Tip	1
1658	FT 1/4" Hex Drive 1/16" Tip	1
1659	FT 1/4" Hex Drive 5/64" - 2.0mm Tip	1
1660	FT 1/4" Hex Drive 3/32" Tip	1
1661	FT 1/4" Hex Drive 1.5mm Tip	1
1662	FT 1/4" Hex Drive 2.5mm Tip	1
1663	FT 1/4" Hex Drive 3/16" Nut Driver Tip	1
1664	FT 1/4" Hex Drive 1/4" Nut Driver Tip	1
1665	FT 1/4" Hex Drive 11/32" Nut Driver Tip	1
1666	FT 1/4" Hex Drive 5.5mm Nut Driver Tip	1
1667	FT 1/4" Hex Drive 7.0mm Nut Driver Tip	1
1668	FT 1/4" Hex Drive 8.0mm Nut Driver Tip	1
1669	FT 1/4" Hex Drive 5/64" - 2.0mm Ball End Tip	1
1670	FT 1/4" Hex Drive 3/32" Ball End Tip	1
1671	FT 1/4" Hex Drive Standard Screwdriver Tip	1
1672	FT 1/4" Hex Drive Phillips Screwdriver Tip	1
1673	FT 1/4" Hex Drive 2.5mm Ball End Tip	1
1674	FT 1/4" 5 Piece Power Tool Tips Set (5/64-2.0mm, 1.5mm, 2.5mm, 5/64"- 2.0mm ball, 2.5mm ball)	1
1675	FT Shock Shaft Pliers	1
1719	FT Camber + Track Width Tool	1
1737	FT Body Scissors	1
3718	12 Inch Nylon Wire Ties	12
3719	6 Inch Nylon Wire Ties	12
3720	8 Inch Nylon Wire Ties	12
3987	FT Droop Gauge	1
7709	4 Inch Nylon Wire Ties	12
89240	FT RC8 Turnbuckle Wrench	1
89358	16mm Big Bore Shock Tools	1
91107	13mm Shock Tools	1

Associated Electrics, Inc.
 26021 Commercentre Drive
 Lake Forest, CA 92630-8853 USA
<http://www.TeamAssociated.com>
<http://www.RC10.com>
<http://twitter/TeamAssociated>
<http://bit.ly/AEonFacebook>

call: (949) 544-7500

fax: (949) 544-7501

Check out the following web sites for all of our electric kits, current products, new releases, setup help, tips, and racing info!

www.TeamAssociated.com - www.RC10.com

:: RePlay Cameras

RP004	Replay XD1080 Mini Complete Camera System	1
RP005	Replay XD PrimeX Camera System	1
RP021	Replay XD1080 Lens Bezel Kit	1
RP022	Replay XD1080 Clear Lens Cover	1
RP023	Replay XD1080 Lens Bezel & Rear Cap O-Ring	1
RP029	Replay XD1080 HDMI to Mini-HDMI	1
RP030	Replay XD1080 Mini 8-pin USB Charge Data Cable	1
RP032	USB DC Car Charger 1A Stubby	1
RP034	Micro SDHC USB Reader	1
RP036	3M VHB 4991 Mount Adhesive for SnapTray	1
RP042	Replay XD Suction Cup Short Arm Base	1
RP043	Replay XD Skateboard Mount	1
RP044	Replay XD VHB SnapTray, Convex	1
RP045	Replay XD VHB SnapTray, Flat	1
RP046	Au Plug for Universal DC Wall Charger	1
RP047	Eu Plug for Universal DC Wall Charger	1
RP048	Uk Plug for Universal DC Wall Charger	1
RP049	Universal USB DC Wall Charger 1A	1
RP050	Au Plug for Uni DC Wall Charger	1
RP054	Replay ReView Field Monitor	1
RP055	Replay PrimeX Lens 5 pack	1
RP056	Replay PrimeX HDMI Cable	1
RP057	Replay PrimeX Deep Dive Waterproof Case	1
RP058	Replay PrimeX Heim Lock Mount	1
RP059	Replay PrimeX Low Boy Mount	1
RP060	Replay PrimeX Tilt Mount	1

:: Notes**:: Apparel**

SP17**	AE INT'L T-Shirt - Black (S, M, L, XL-5XL)	1
SP18**	AE INT'L T-Shirt - White (S, M, L, XL-5XL)	1
SP19**	AE INT'L Hoodie - Black (S, M, L, XL-3XL)	1
SP20	AE Patch Trucker Hat	1
SP22**	Reedy Vintage '81 T-Shirt - Blue (S, M, L, XL-3XL)	1
SP23**	AE Splash T-shirt - Black (S, M, L, XL-5XL)	1
SP24**	AE Splash T-shirt - Blue (S, M, L, XL-5XL)	1
SP32**	AE Kids T-shirt - Blue (S, M, L)	1
SP38	Reedy Trucker Hat	1
SP39	Reedy Patch	1
SP84**	Reedy 3D T-Shirt, Black (S, M, L, XL-3XL)	1
SP87**	AE 2013 Zip Hoodie (S, M, L, XL-3XL)	1
SP90**	AE Retro T-shirt, Blue (S, M, L, XL-5XL)	1
SP91**	AE Retro T-shirt, Black (S, M, L, XL-5XL)	1
SP92**	AE Retro T-shirt, White (S, M, L, XL-5XL)	1
SP93**	AE 2013 Worlds T-shirt - Blue (S, M, L, XL-5XL)	1
SP96**	AE Womens Retro - Pink (S, M, L, XL)	1
SP110*	Reedy R-Powered T-Shirt - Black (S, M, L, XL-3XL)	1
SP111*	Reedy W15 Sweatshirt - Black (S, M, L, XL-3XL)	1
SP420**	AE Pit Gloves (XL)	Pr.
SP421S	AE 2012 Hat, Black, Flat Bill, S/M	1
SP421L	AE 2012 Hat, Black, Flat Bill, L/XL	1
SP422S	AE 2012 Hat, Black, Curved Bill, S/M	1
SP422L	AE 2012 Hat, Black, Curved Bill, L/XL	1
SP423S	AE 2012 Hat, White, Flat Bill, S/M	1
SP423L	AE 2012 Hat, White, Flat Bill, L/XL	1
SP424S	AE 2012 Hat, White, Curved Bill, S/M	1
SP424L	AE 2012 Hat, White, Curved Bill, L/XL	1
SP425	FT Fluid Carrier	1
715	Reedy 2009 Track Banner	1
110684	Team Associated Track Banner	1
110685	Team Associated Cloth Banner	1

**** Use part number plus the desired size when ordering!**