

# B4.2RS

RACE - S P E C



#9042 B4.2 RS RTR

**BRUSHLESS  
POWERED**

**Ready-To-Run**

**1:10 Scale Electric 2WD Off Road Race Buggy Manual & Catalog**

# TEAM ASSOCIATED



Designed in California, USA

## :: Introduction

Thank you for purchasing this Team Associated product. This assembly manual contains instructions and tips for building and maintaining your new RC10 B4.2. Please take a moment to read through this manual to help familiarize yourself with these steps.

We are continually changing and improving our designs; therefore, actual parts may appear slightly different than in the illustrations. New parts will be noted on supplementary sheets located in the appropriate parts bags. Check each bag for these sheets before you start to build.

## :: KIT Features

Features in the B4.2 RS RTR:

- Fully assembled 2WD buggy based on the 5-time I.F.M.A.R. World Champion and 6-time R.O.A.R. National Champion platform
- XP SC500-BL Brushless water resistant speed control with LiPo cutoff
- Powerful Reedy 3300kV brushless motor
- XP 2.4 GHz 2-channel radio system with digital metal gear servo
- Water-resistant enclosed receiver box
- Blue anodized aluminum V2 coil-over shock absorbers
- Heavy-duty sealed gear differential with adjustable slipper clutch
- Factory finished Interceptor 2.0 polycarbonate body
- High traction tires pre-mounted on white hex drive wheels
- Molded composite chassis and battery strap that fits NiMH or LiPo battery packs
- Rugged steel turnbuckles for adjustable camber and front toe-in
- Vertical ball ends for roll center adjustments, front & rear

## :: Additional

Your new B4.2 RS RTR comes factory assembled including radio gear, motor, and ESC. However, there are some items you will need to complete your kit (refer to catalog for suggestions):

- AA-size batteries for transmitter (x8)
- 6 cell NiMH battery pack or 2 cell LiPo battery pack
- Battery charger (we recommend a peak detection charger)

Tools included:

- Allen wrenches #6950 (.050", 1/16", 3/32", 5/64")
- 1.5mm allen wrench
- Molded tools #6956
- Camber gauge #1719
- Shock building tool #6429

## :: Other Helpful Items

- Silicone Shock Fluid (Refer to catalog for complete listings)
- Body Scissors (AE Part # 1737)
- FT Hex Wrenches (AE Part # 1655)
- Soldering Iron
- Reamer / Hole Punch
- Needle Nose Pliers
- Calipers or a Precision Ruler
- Wire Cutters
- Multi Tool (AE Part #7494)
- Green Slime shock lube (AE Part # 1105)
- Hobby Knife

**Associated Electrics, Inc.**  
26021 Commercentre Dr.  
Lake Forest, CA 92630



**Customer Service**  
Tel: 949.544.7500  
Fax: 949.544.7501

**:: Table of Contents**

|                                   |   |
|-----------------------------------|---|
| 1..... Cover                      | 15 - 18..... Electronics Build              |
| 2..... Introduction               | 18 - 19..... Wheels, Tires and Body Install |
| 3..... Table of Contents          | 19..... Servo Chart                         |
| 4 - 5..... Steering Build         | 20 - 21..... Tuning Tips                    |
| 5 - 7..... Front Suspension Build | 22 - 30..... Catalog                        |
| 7 - 9..... Transmission Build     | 31..... Setup Sheet "Kit Setup"             |
| 10 - 11..... Rear End Build       | 32..... 1:1 Hardware "Fold Out"             |
| 12..... Rear Hub Build            | 33..... Setup Sheet "Blank"                 |
| 13 - 14..... Shocks Build         | 34..... Back Cover                          |

**:: Notes**

This symbol indicates a special note or instruction in the manual.



**There is a 1:1 hardware foldout page in the back of the manual. To check the size of a part, line up your hardware with the correct drawing until you find the exact size. Each part in the foldout has a number assigned to it for ordering replacement parts.**

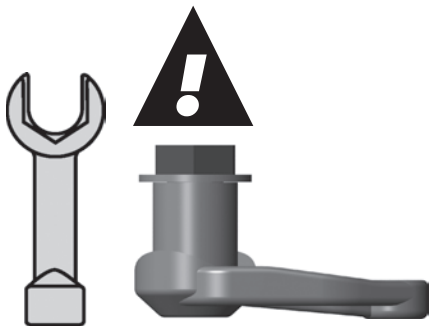
**Associated Electrics, Inc.**  
**26021 Commercentre Dr.**  
**Lake Forest, CA 92630**



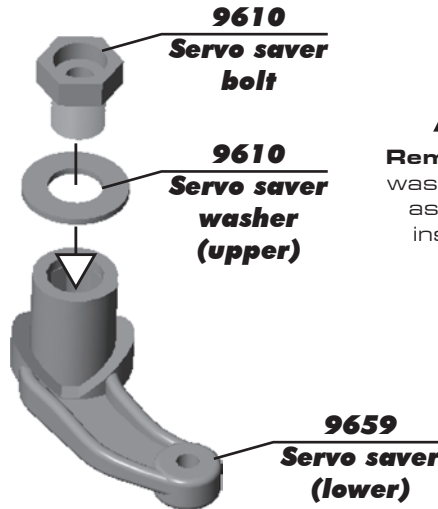
**Customer Service**  
**Tel: 949.544.7500**  
**Fax: 949.544.7501**

**<http://www.TeamAssociated.com> • <http://www.RC10.com> • [http://twitter.com/Team\\_Associated](http://twitter.com/Team_Associated) • <http://bit.ly/AEonFacebook>**

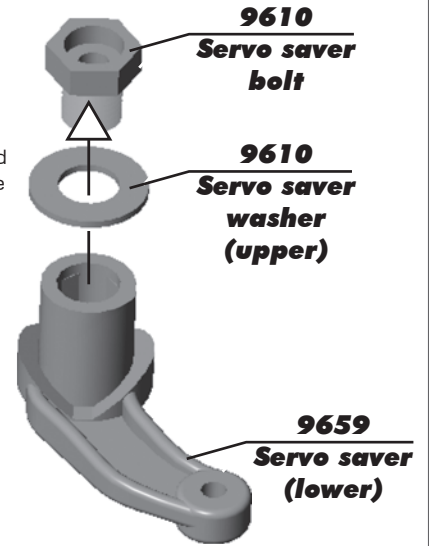
**:: Steering Build - Step 1**



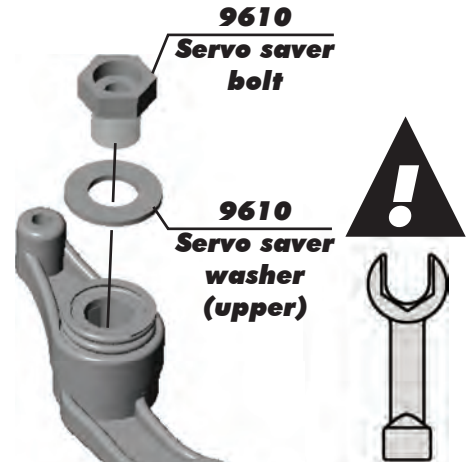
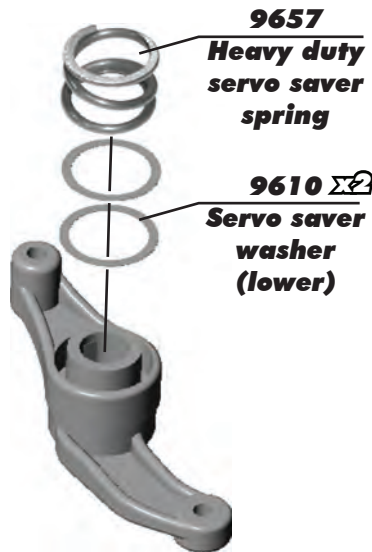
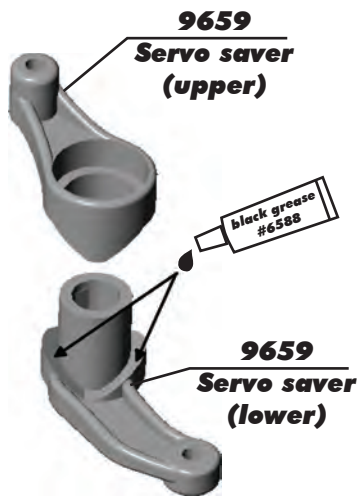
\* With supplied wrench, tighten servo saver bolt completely, **until it hits bottom**. Do not overtighten.



Remove bolt and washer, continue assembly per instructions.

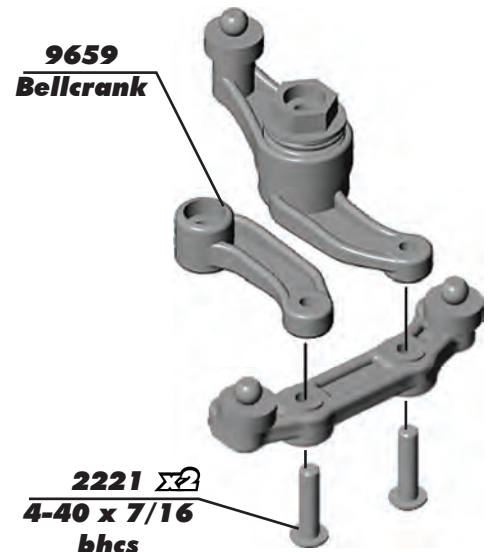
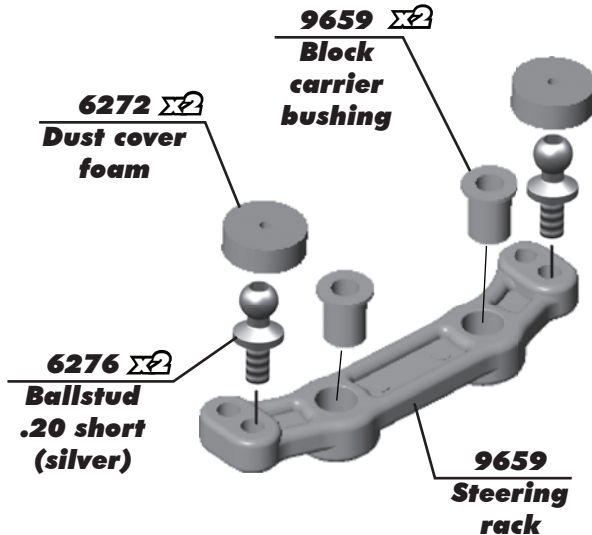


**:: Steering Build - Step 2**



\* With supplied wrench, tighten servo saver bolt completely. Do not overtighten.

**:: Steering Build - Step 3**



**:: Steering Build - Step 4**

**9566**  
Top plate

**3856**  $\Sigma 4$   
Steering rack bushing

**9659**  
Steering brace

**9640**  
Steering bolt (right)

**9640**  
Steering bolt (left)

**6925**  $\Sigma 3$   
4-40 x 1/2 shcs

**9563**  
Front bulkhead

**9560**  
B4 chassis

**6915**  $\Sigma 2$   
4-40 x 5/8 fhcs

**!**  
Do not overtighten steering bolts. Make sure there is free movement in the steering rack.

**:: Front Suspension Build - Step 1**

**6272**  
Foam dust cover

**6277**  
Ballstud .30 long (silver)

**9880**  
Steering blocks hex style (left, right)

**4449**  
4-40 x 3/16 aluminum locknut

**4187**  
.030 washer (nylon)

**7496**  
B4 front axle, hex

**3977**  
3/16x3/8 bearing

**9882**  
C-clip, 3/16

**!**  
Install the C Clip into the groove shown below.

**Build 2 (1 left, 1 right)**

**Build 2!**

**:: Front Suspension Build - Step 2**

**!**

**!**  
Align the C clip on the front axles with the D shape inside the steering blocks.

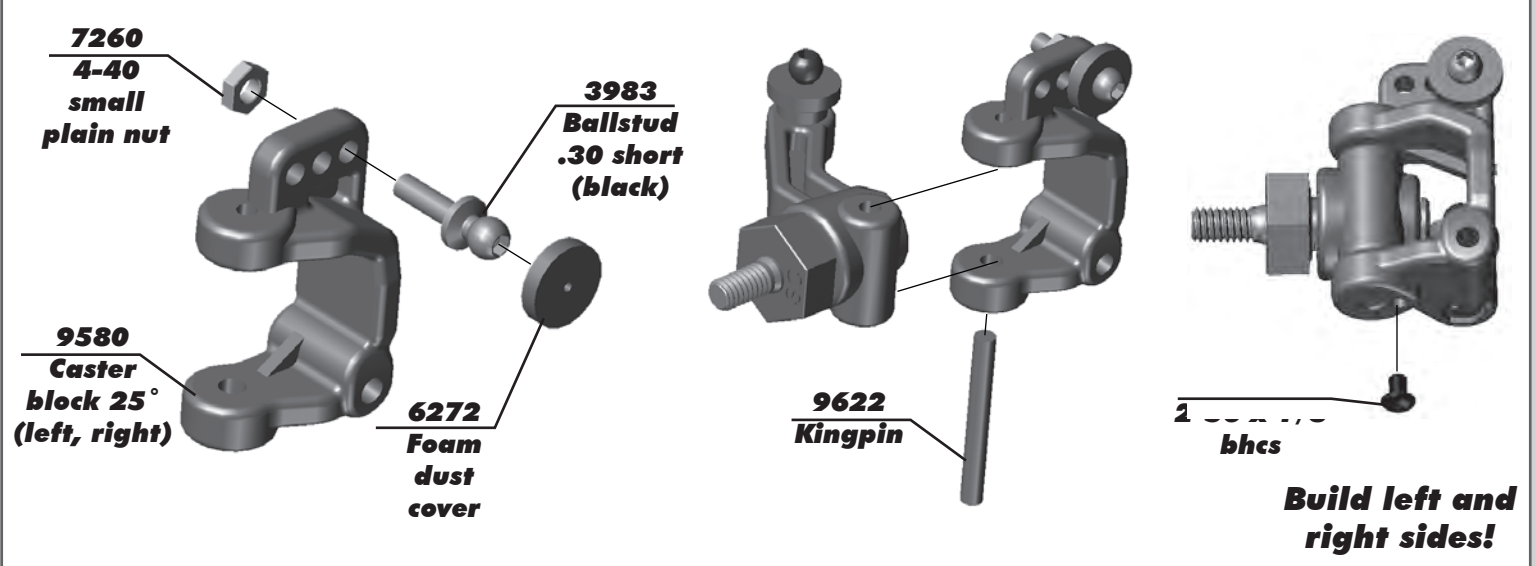
**7497**  
B4 wheel hex adapter (thin)

**7369**  
1/16" universal roll pin

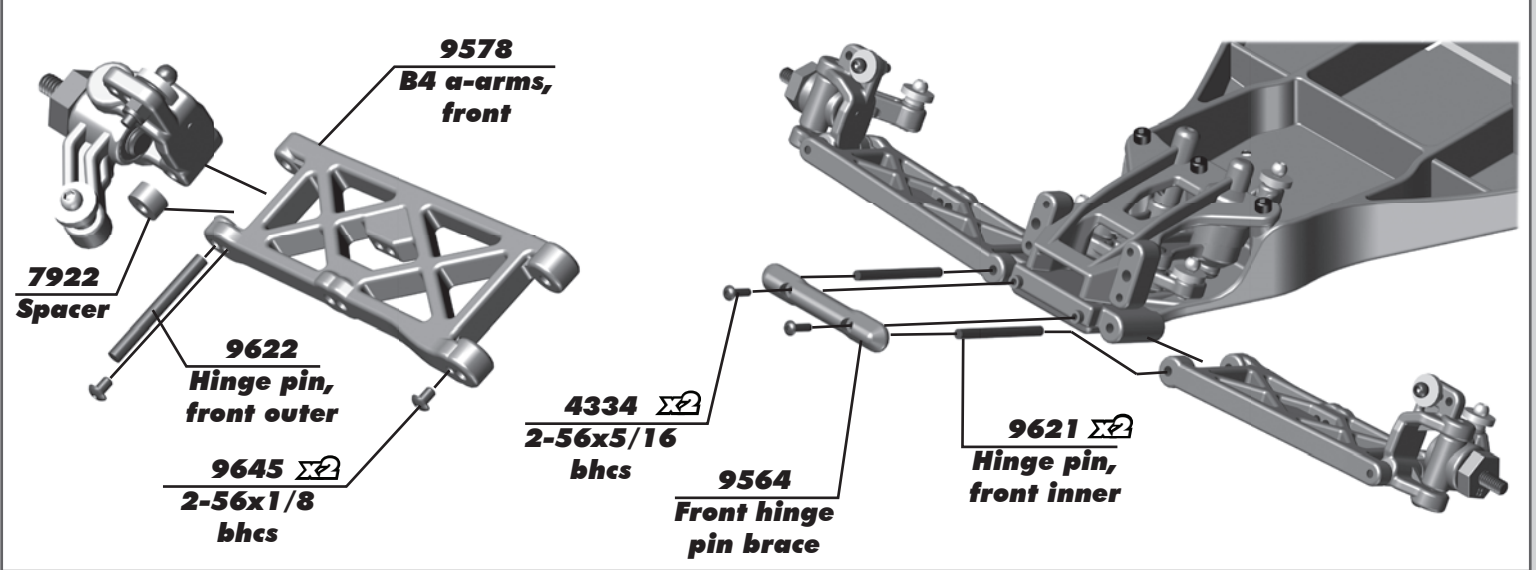
**3977**  
3/16 x 3/8 bearing

**Build left and right sides!**

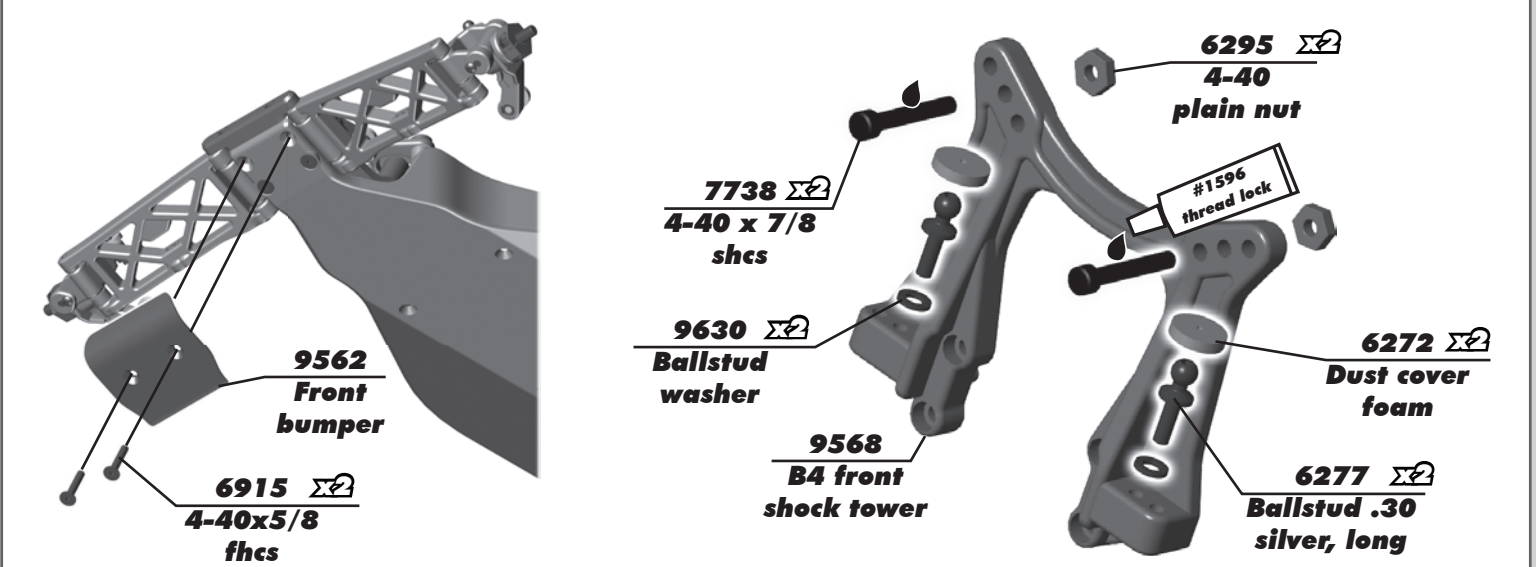
**:: Front Suspension Build - Step 3**



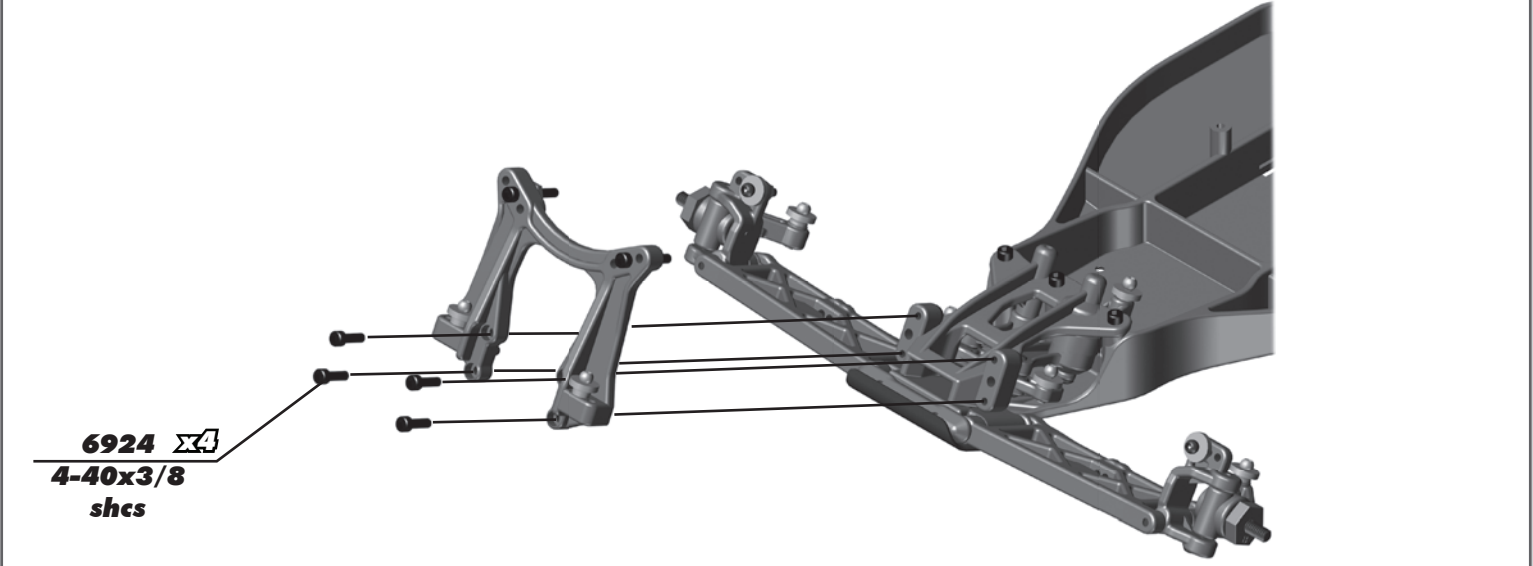
**:: Front Suspension Build - Step 4**



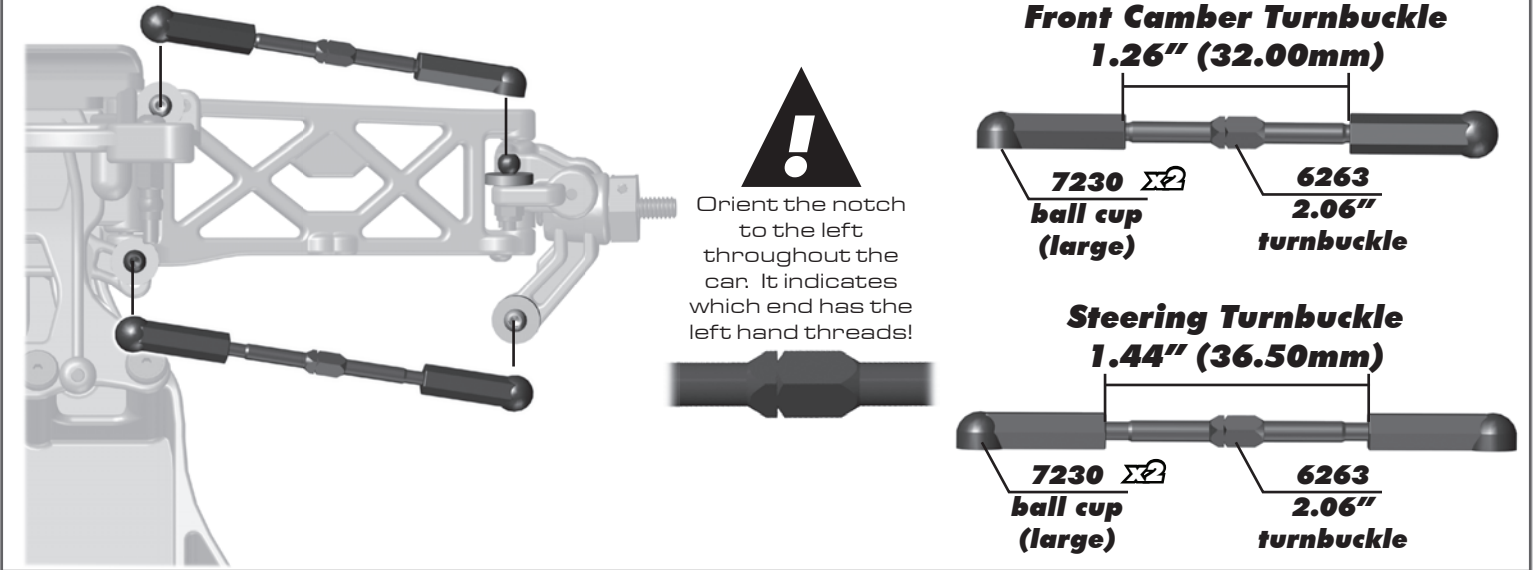
**:: Front Suspension Build - Step 5**



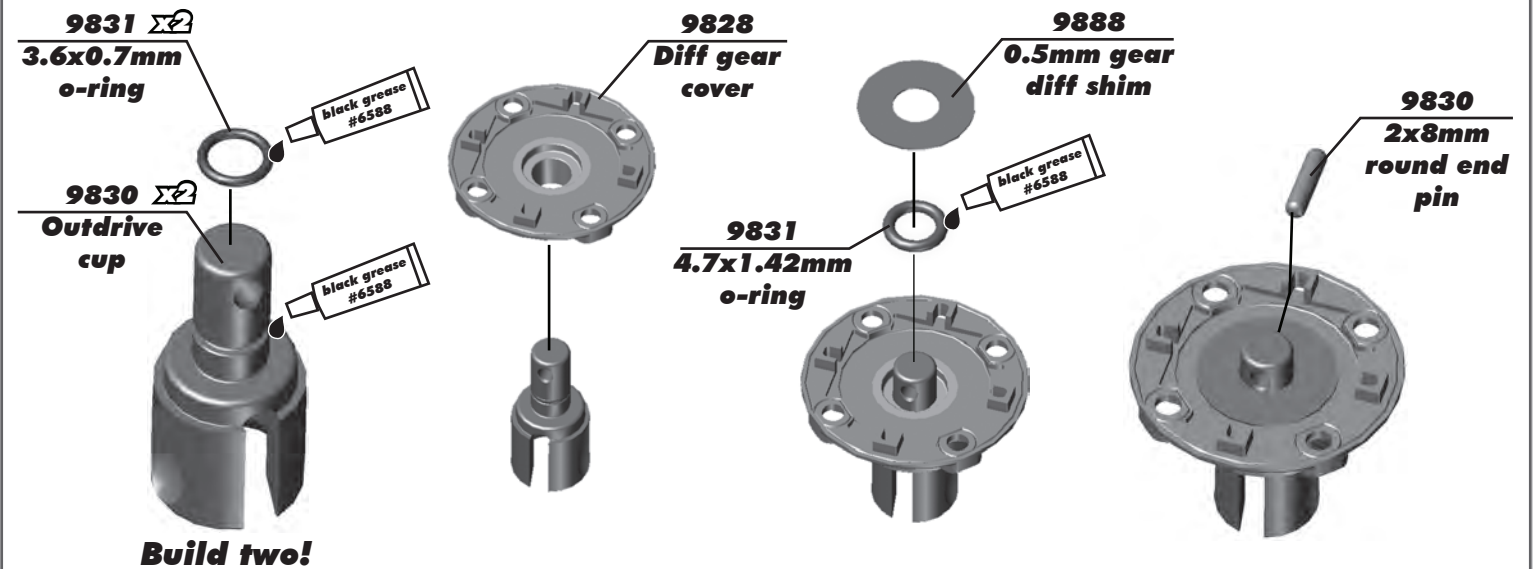
**:: Front Suspension Build - Step 6**



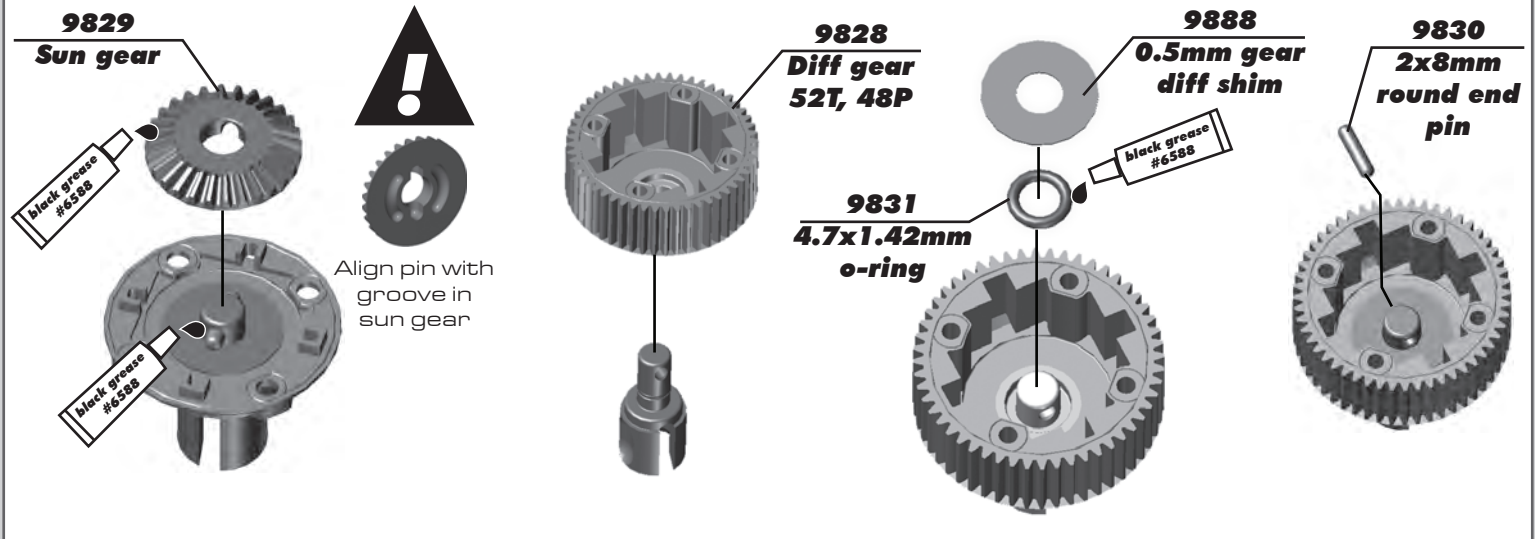
**:: Front Suspension Build - Step 7**



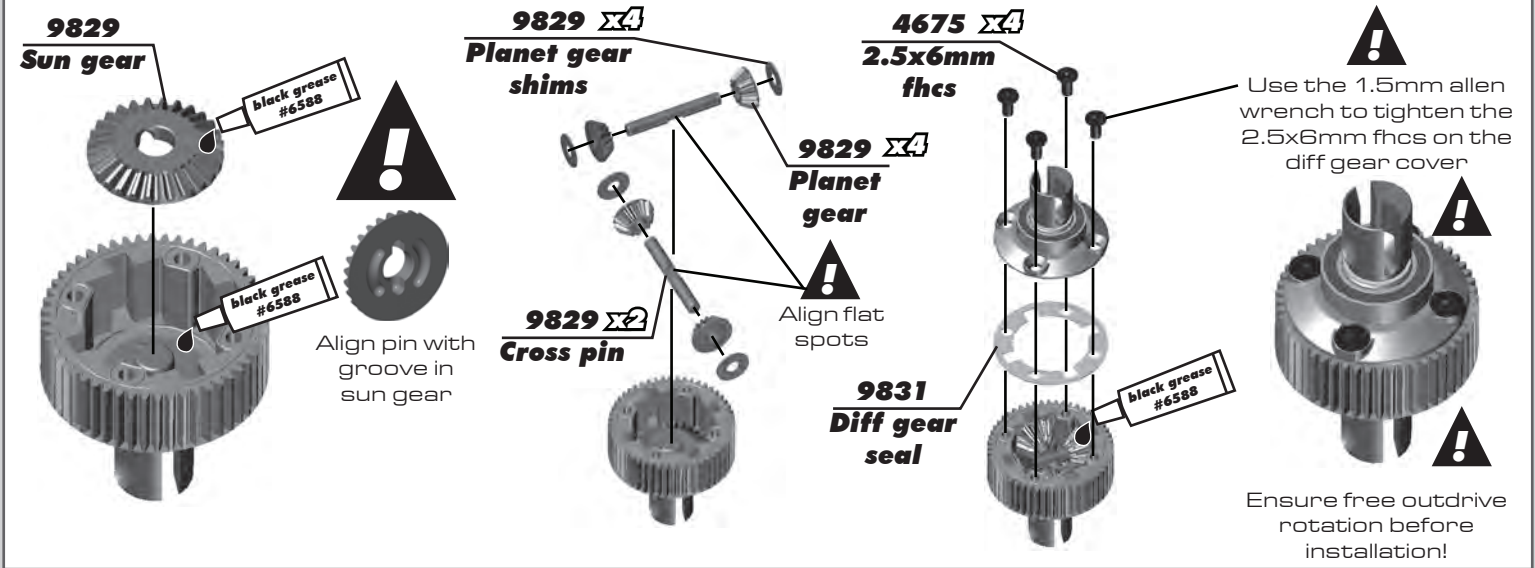
**:: Transmission Build - Step 1**



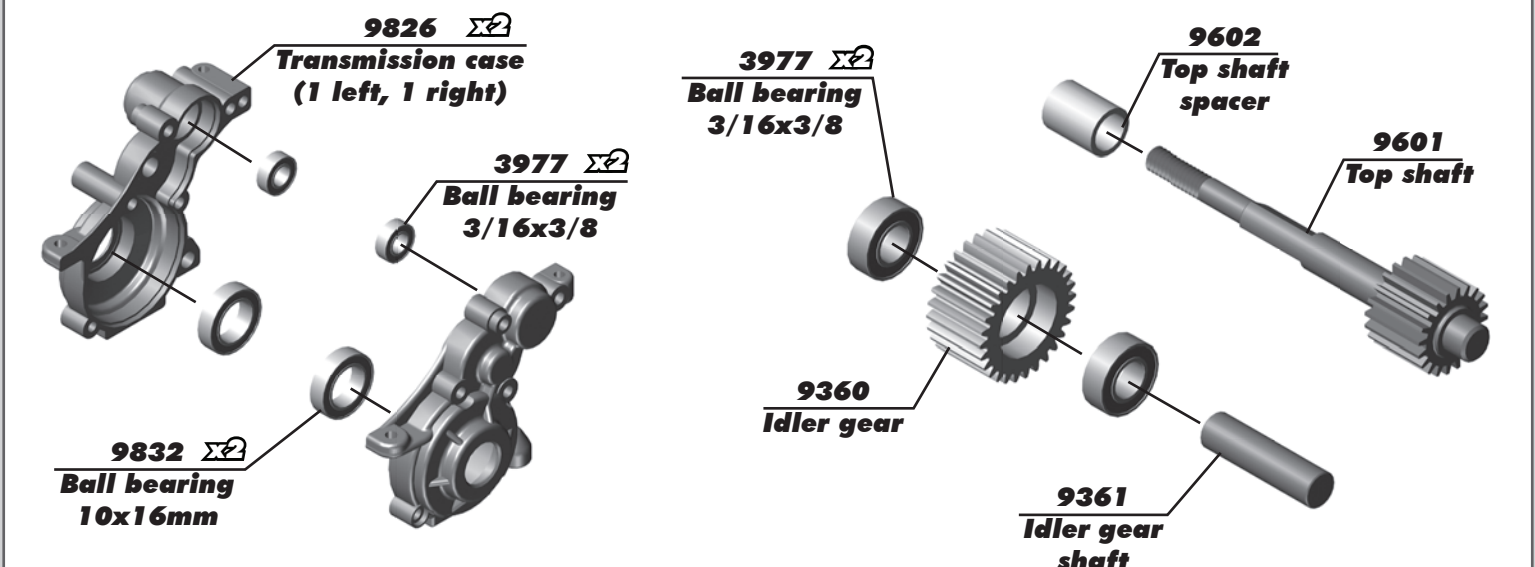
**:: Transmission Build - Step 2**



**:: Transmission Build - Step 3**

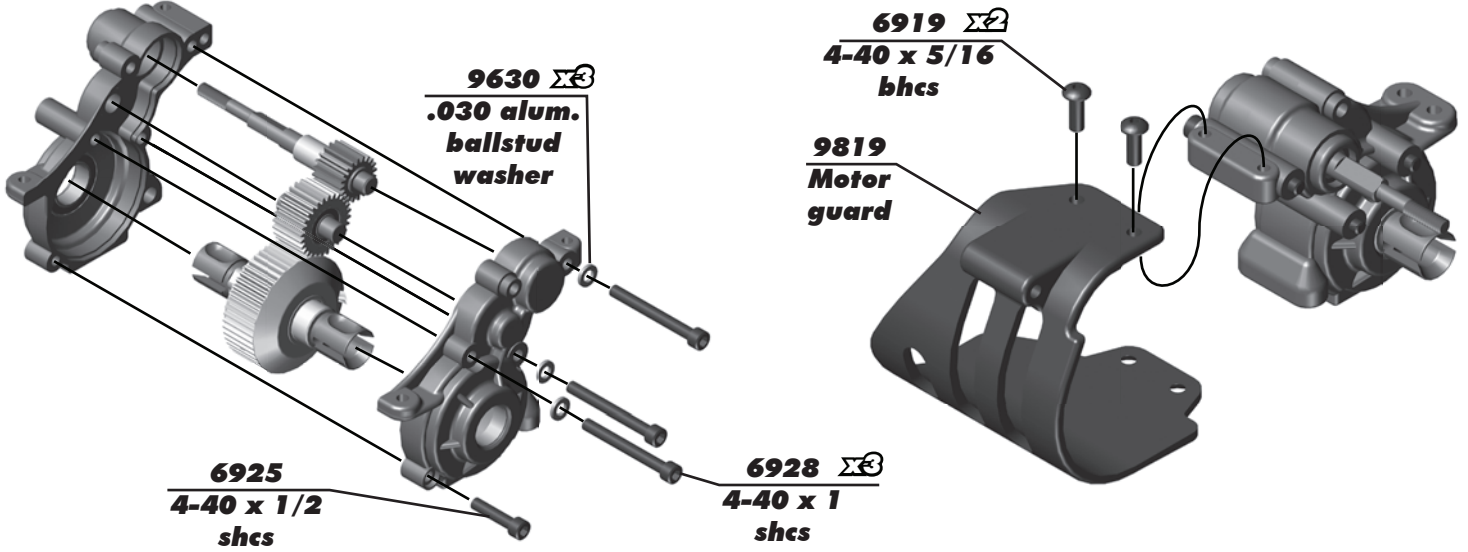


**:: Transmission Build - Step 4**

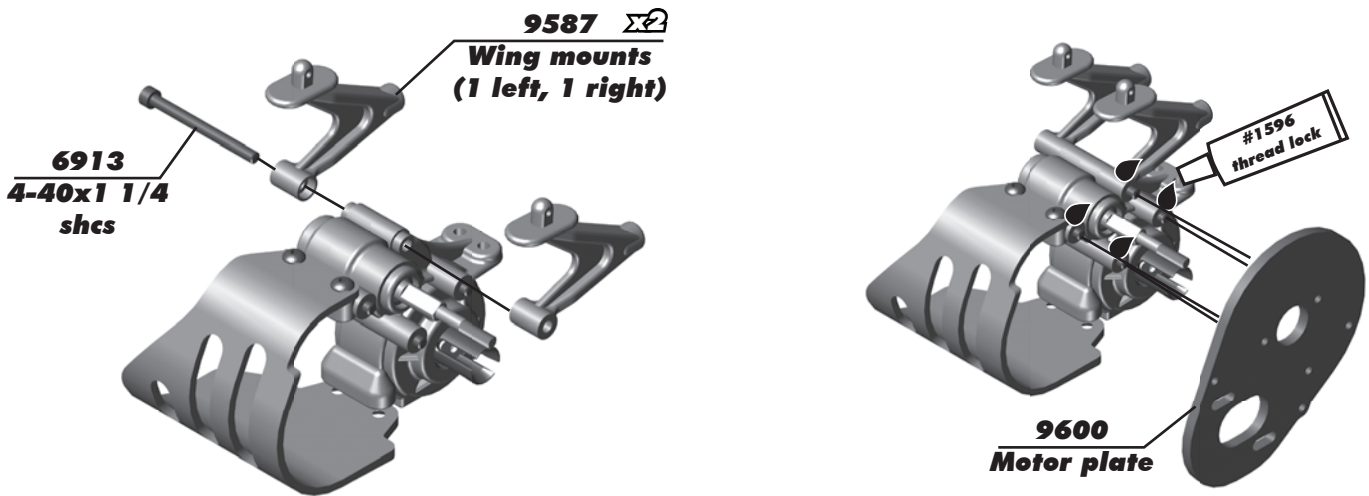




**:: Transmission Build - Step 5**



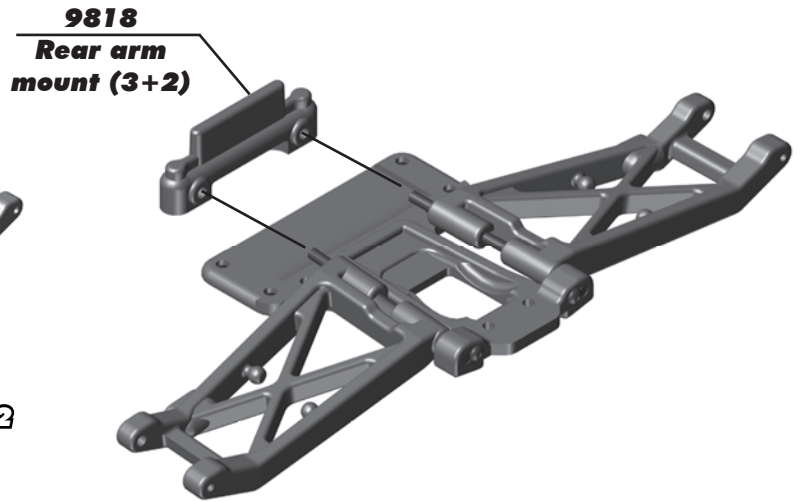
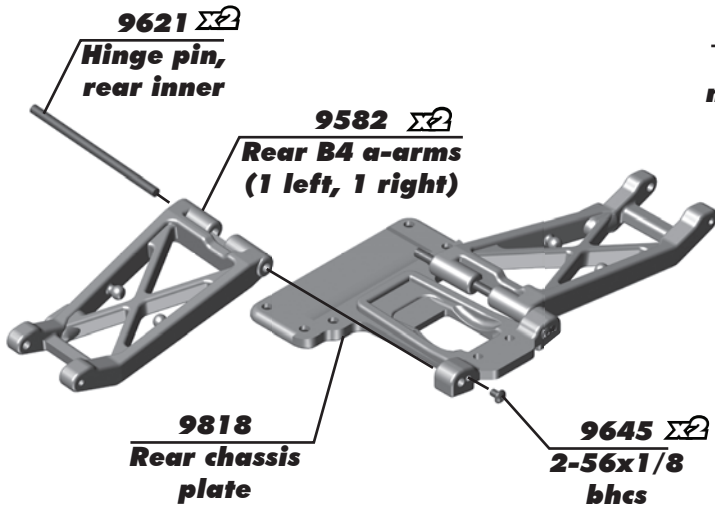
**:: Transmission Build - Step 6**



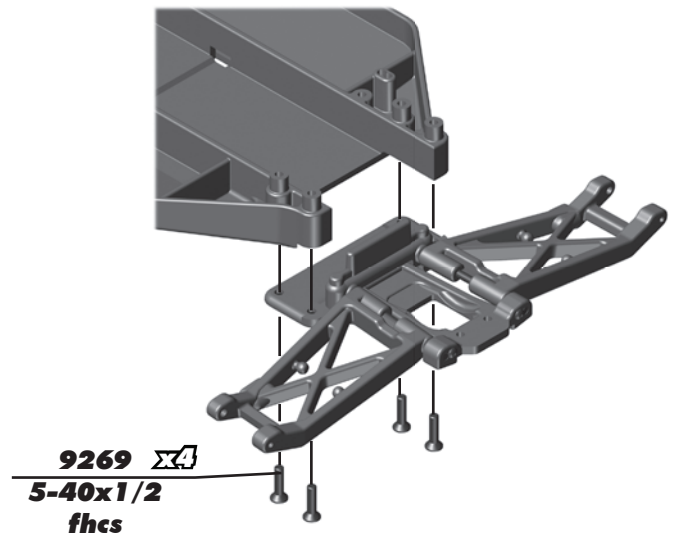
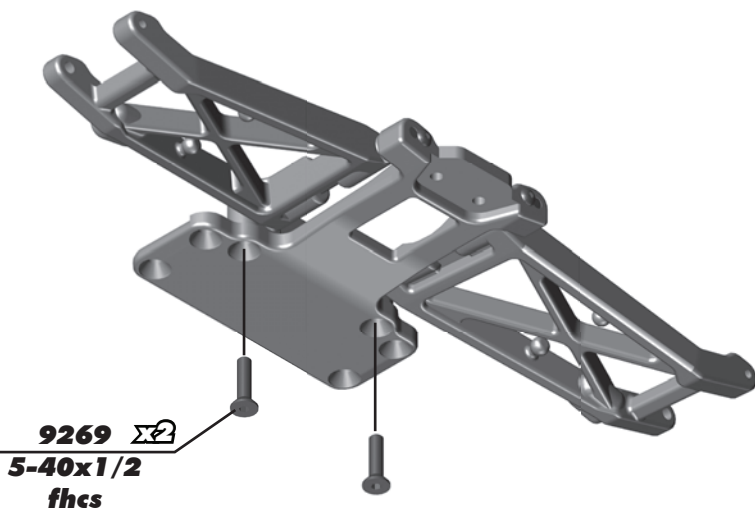
**:: Transmission Build - Step 7**



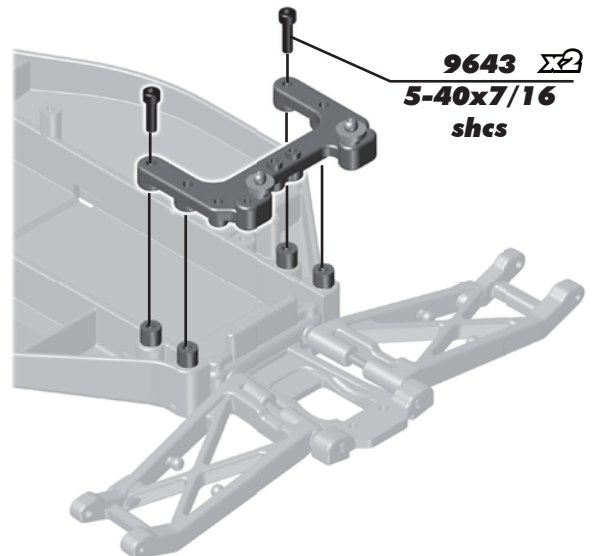
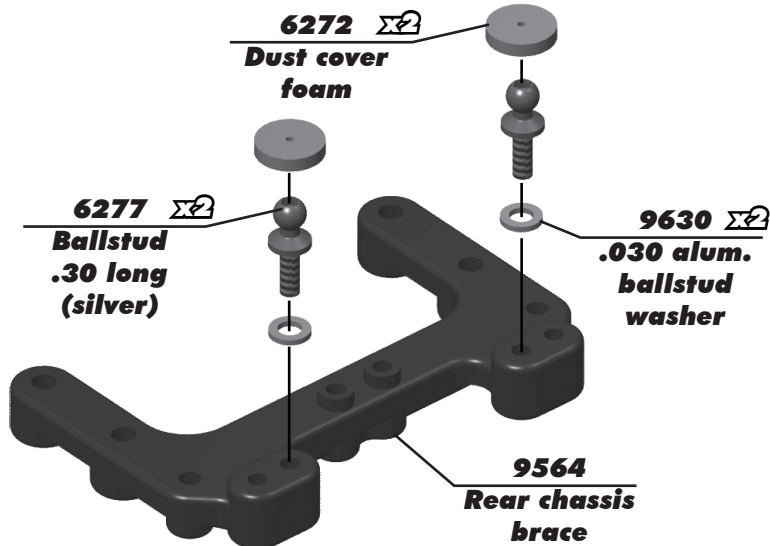
**:: Rear End Build - Step 1**



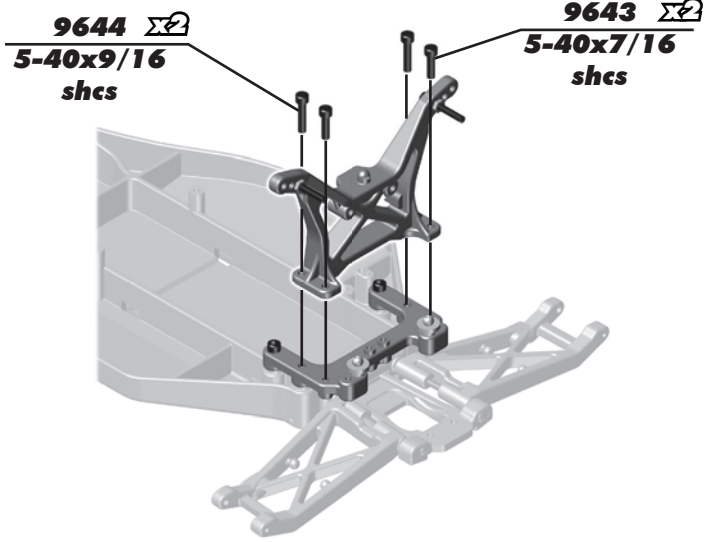
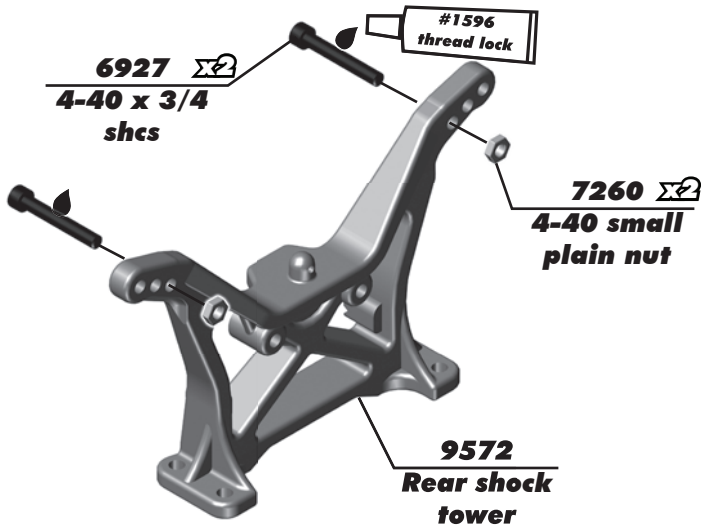
**:: Rear End Build - Step 2**



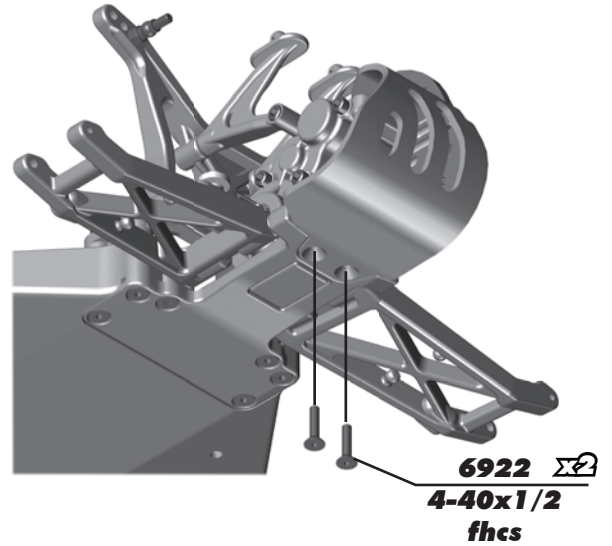
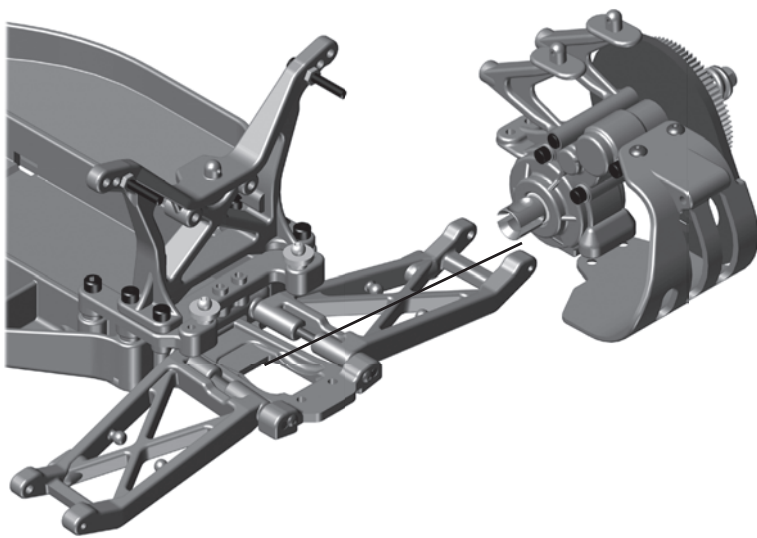
**:: Rear End Build - Step 3**



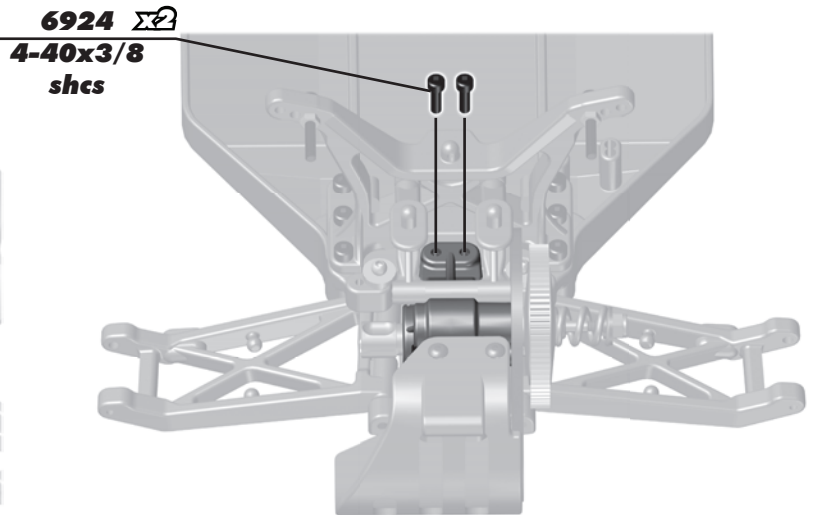
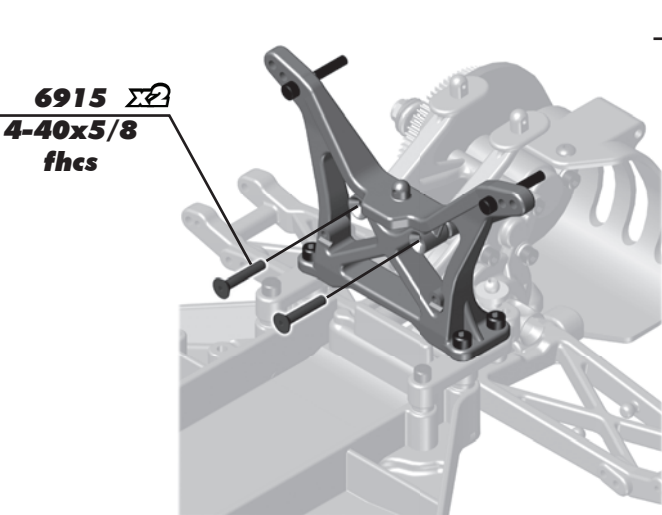
**:: Rear End Build - Step 4**



**:: Rear End Build - Step 5**



**:: Rear End Build - Step 6**



**:: Rear Hub Build - Step 1**

**6272**  
Dust cover foam

**3983**  
Ballstud .30 short (black)

**9584**  
Rear hub carrier (left, right)

**7260**  
4-40 small plain nut

**3977**  $\Sigma 2$   
Ball bearing 3/16 x 3/8

**7368**  
3/16 axle shim

**7377**  
Bearing spacer

**9670**  
Rear axle

**7497**  
B4 wheel hex adapter (thick)

**7369**  
1/16 universal roll pin

**LEFT SIDE SHOWN**

**Build left and right sides!**

**:: Rear Hub Build - Step 2**

**4187**  $\Sigma 2$   
Spacer

**9671**  
B4 dogbone

**5407**  $\Sigma 2$   
O-ring

**9645**  
2-56x1/8 bhcs

**9622**  
Hinge pin, rear outer

**Build x2 (right and left side)**

**Build x2 (right and left side)**

**:: Rear Hub Build - Step 3**

**7230**  $\Sigma 2$   
ball cup (large)

**6263**  
2.06" turnbuckle

**Rear Camber Turnbuckle 1.41" (36mm)**

**Build x2 (right and left side)**

**!**  
Orient the notch to the left throughout the car. It indicates which end has the left hand threads!

**:: Shocks Build - Step 1**

**Front Shock**

- 6469 Shock cap o-ring
- 9680 V2 RTR front shock body 0.89" stroke (blue)
- 7484 Shock internal spacer
- 5407 Red o-ring
- 7484 Lower shock seal cap

**Rear Shock**

- 6469 Shock cap o-ring
- 9681 V2 RTR rear shock body 1.18" stroke (blue)
- 7484 Shock internal spacer
- 5407 Red o-ring
- 7484 Lower shock seal cap

**Piston**

Remove spurs

Piston number here  
Use #1 = front shocks  
Use #1 = rear shocks

**:: Shocks Build - Step 2**

**Front Shock**

- 6465 Shock piston #1
- 6460 Shock shaft 0.71" stroke
- 6299 E-clip

**Rear Shock**

- 6465 Shock piston #1
- 6459 Shock shaft 1.02" stroke
- 6299 E-clip

**:: Shocks Build - Step 3**

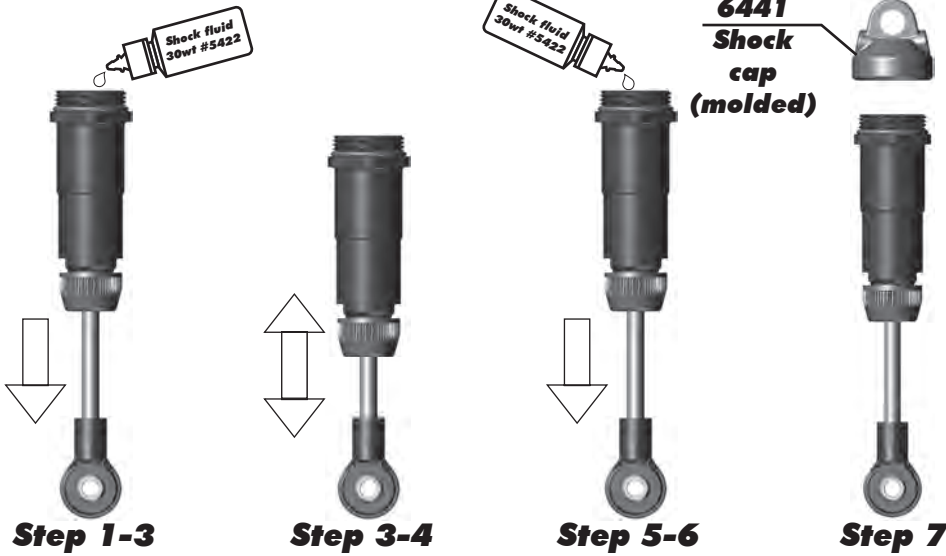
**Front Shock**

- 7217 Eyelet
- 7217 Pivot ball

**Rear Shock**

- 4187 Downstop thin 1/32"
- 7217 Eyelet
- 7217 Pivot ball

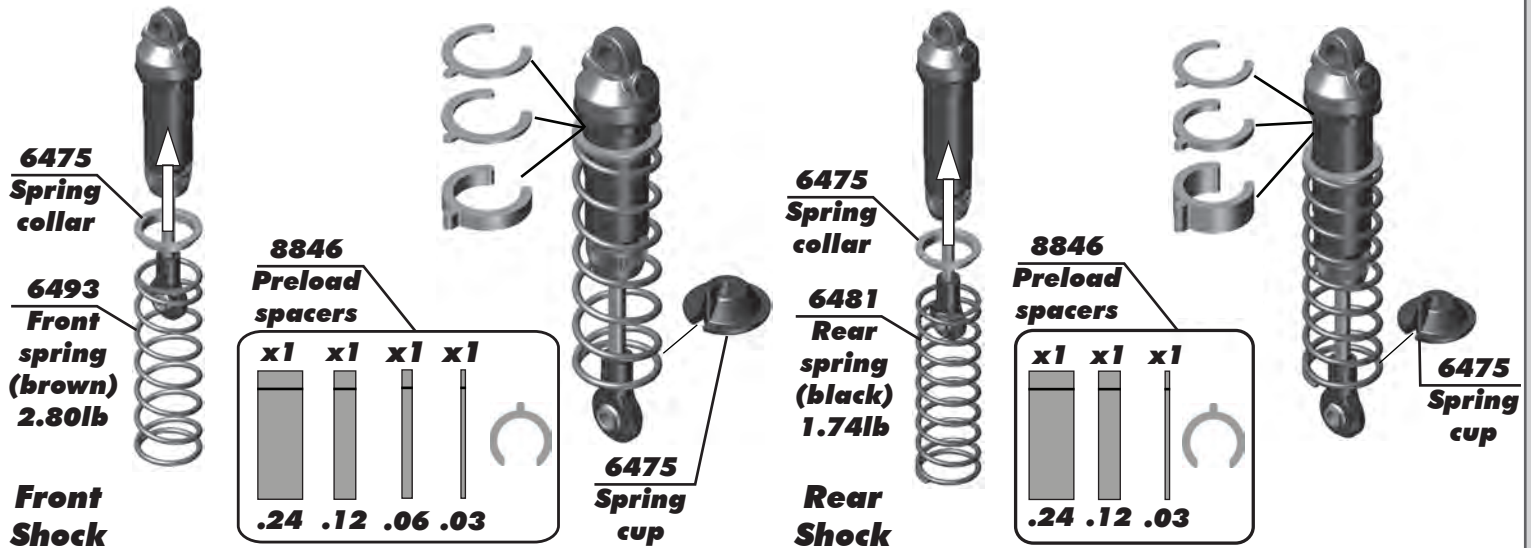
**:: Shocks Build - Step 4**



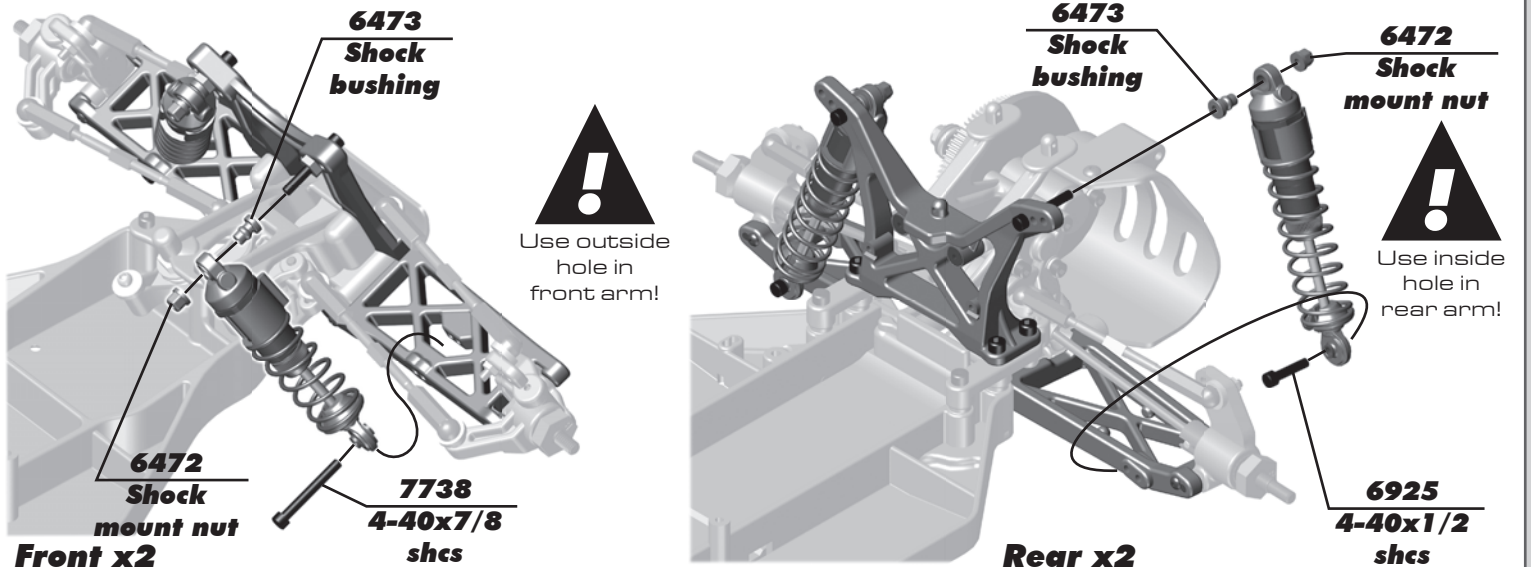
**\* Shock Bleeding Steps:**

1. Pull shock shaft down.
2. Fill shock body 3/4 full with silicone fluid.
3. Slowly move the shock shaft up and down to remove air from under piston.
4. Wait for bubbles to come to surface.
5. Fill shock body to top with silicone fluid.
6. Place several drops of oil in the cap and on cap threads.
7. Install cap and tighten completely.
8. Slowly compress shaft all the way to the top. If there is pressure at the top of the stroke, there is too much oil or air. You must bleed it out.
9. Slowly pull shaft down.
10. Unscrew the cap 3/4 turn and tilt the shock at a slight angle.
11. Slowly compress the shaft to push out excess oil and air. You should see bubbles coming out from under the cap.
12. With the shaft compressed, tighten the cap and re-check for pressure at the top of the stroke. If there is still pressure, repeat steps 9 thru 11.

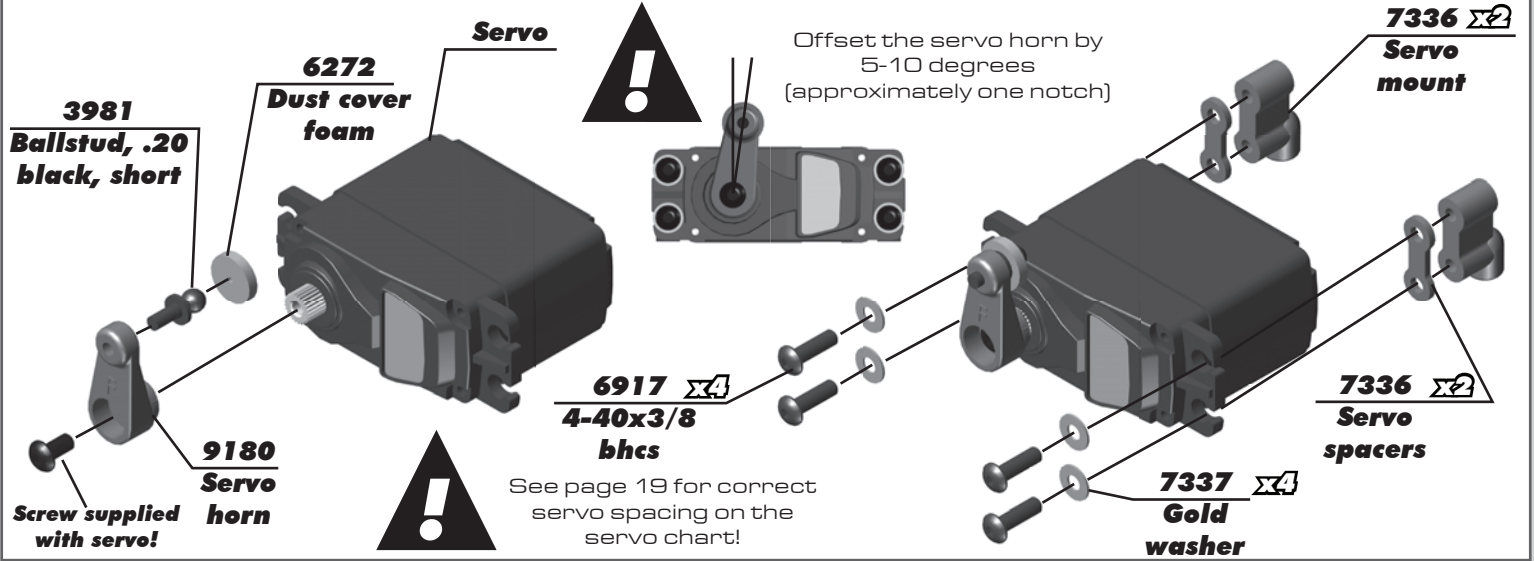
**:: Shocks Build - Step 5**



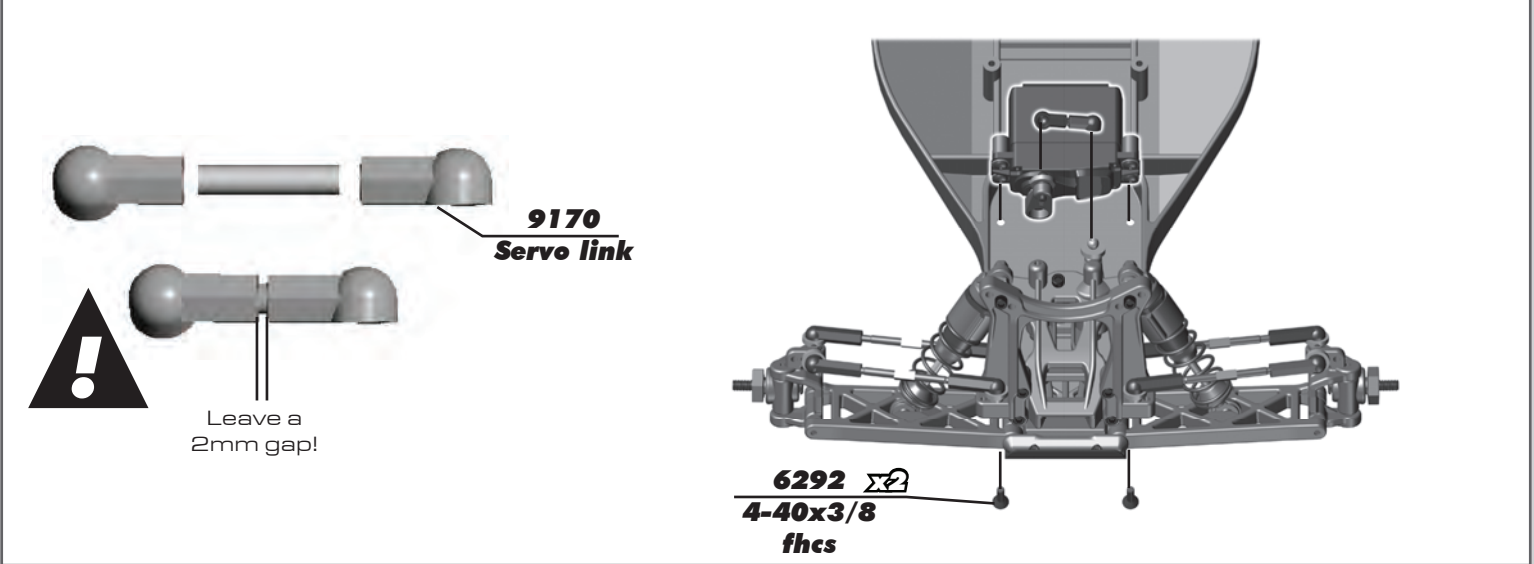
**:: Shocks Build - Step 6**



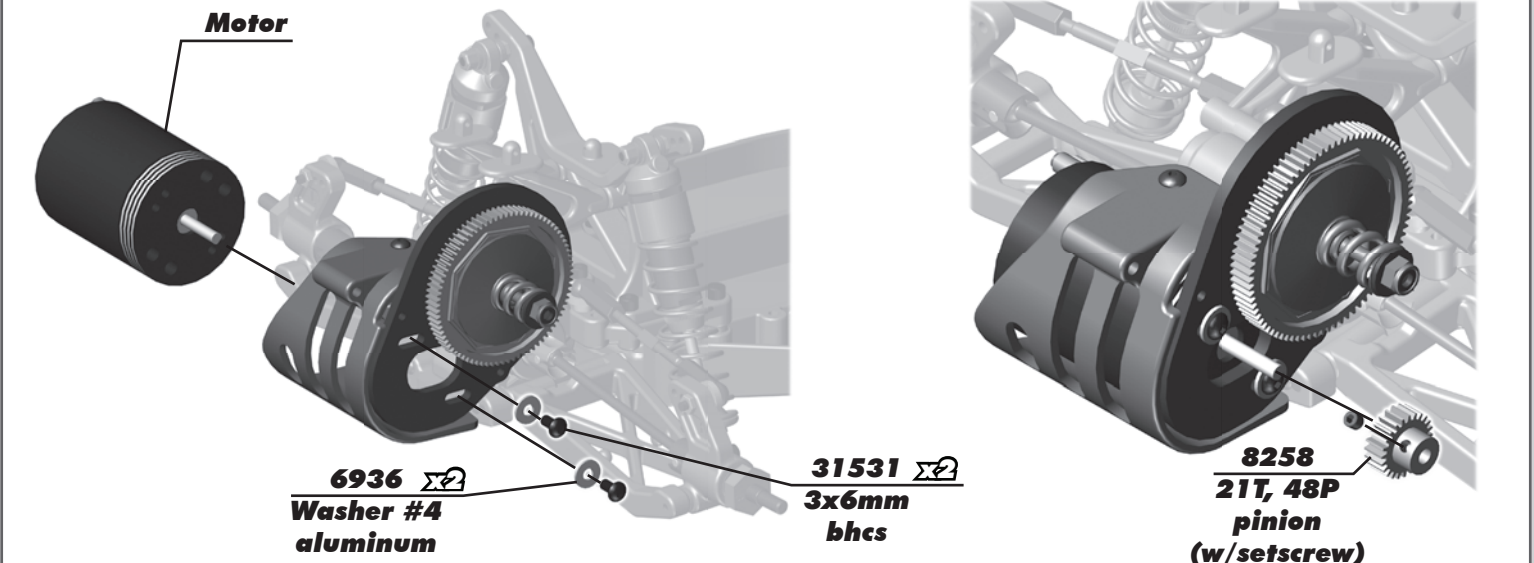
**:: Electronics Build - Step 1**



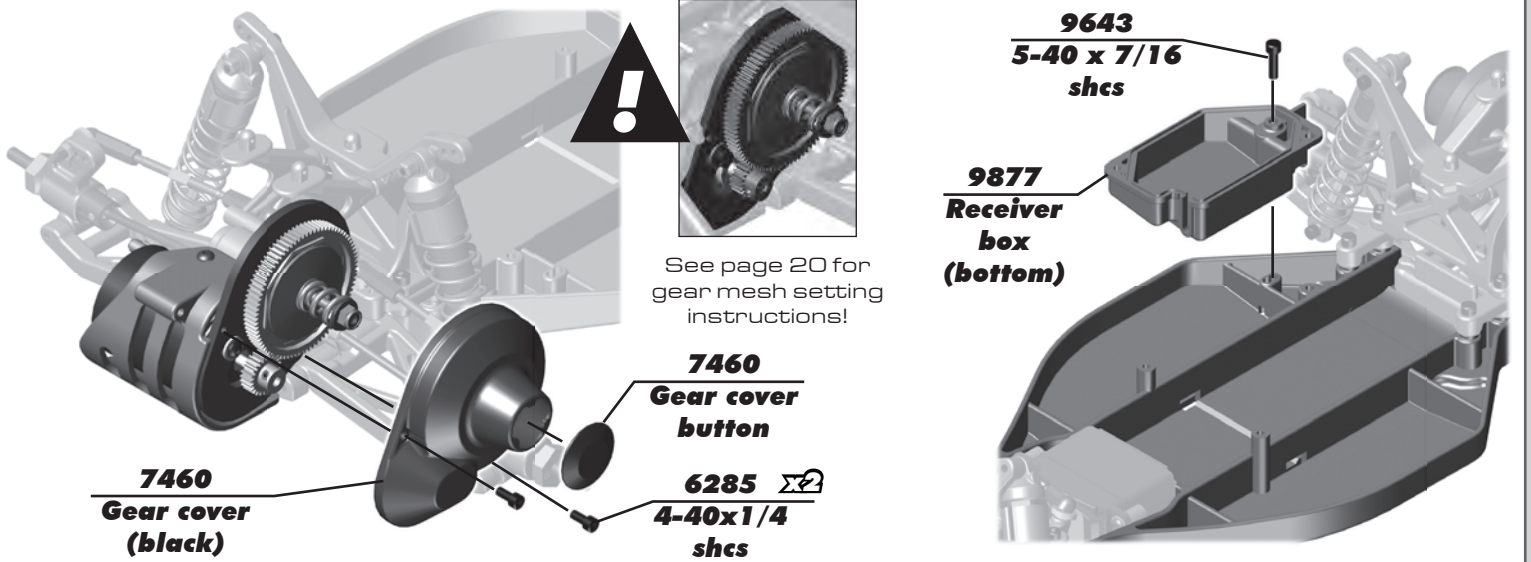
**:: Electronics Build - Step 2**



**:: Electronics Build - Step 3**



**:: Electronics Build - Step 4**



**:: Electronics Build - Step 5**

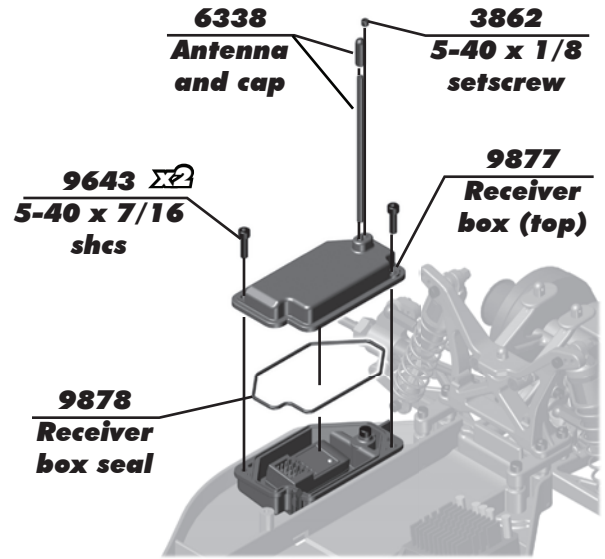
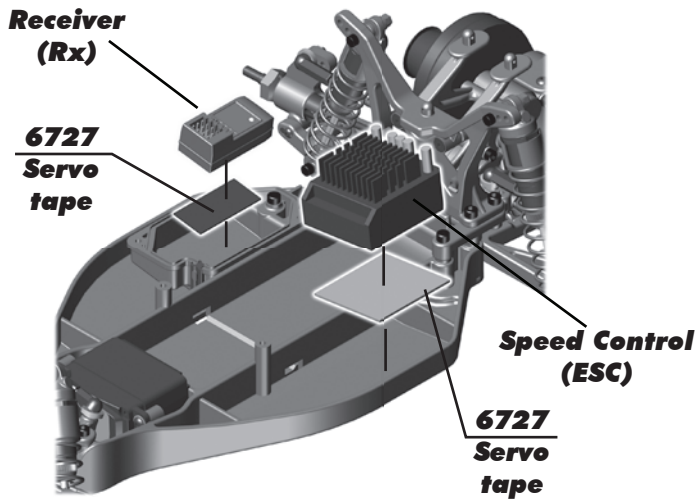


**:: Electronics Build - Step 6**

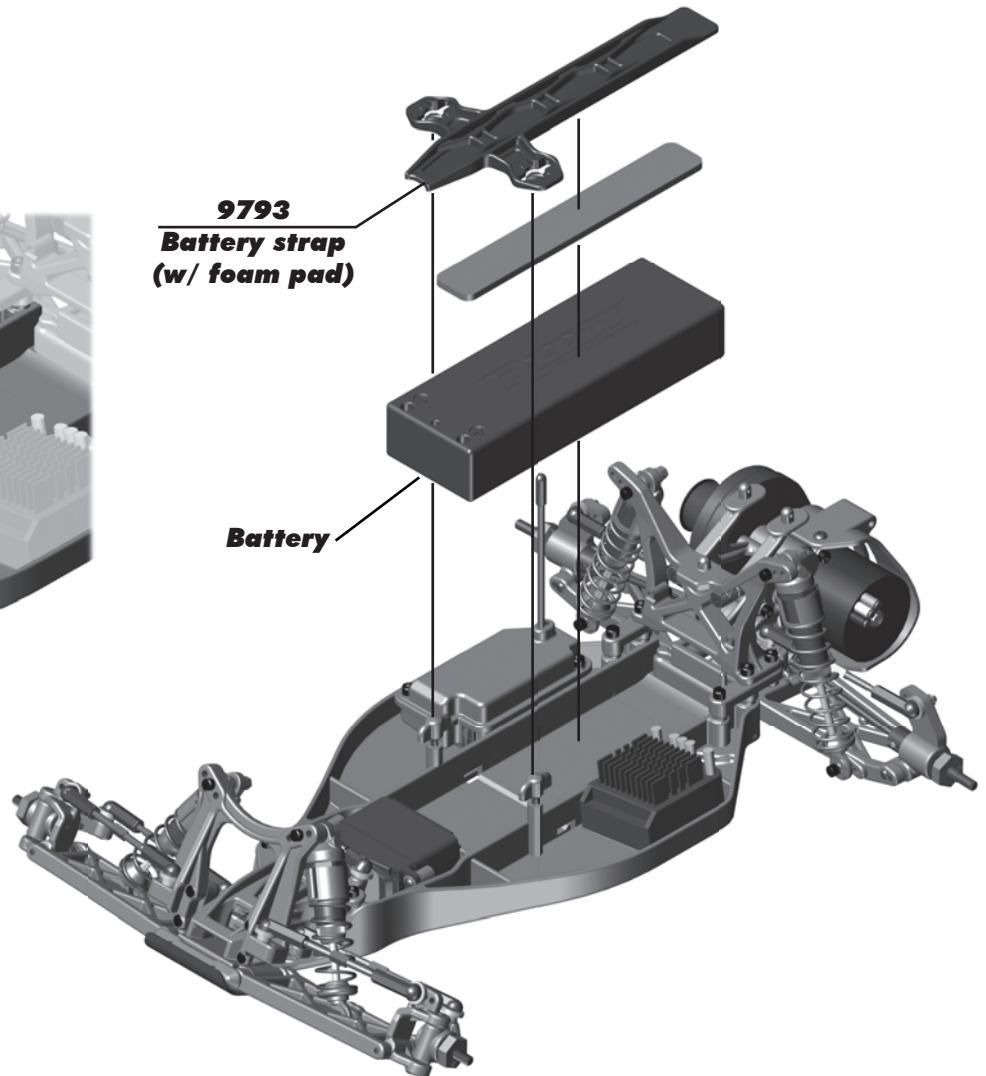
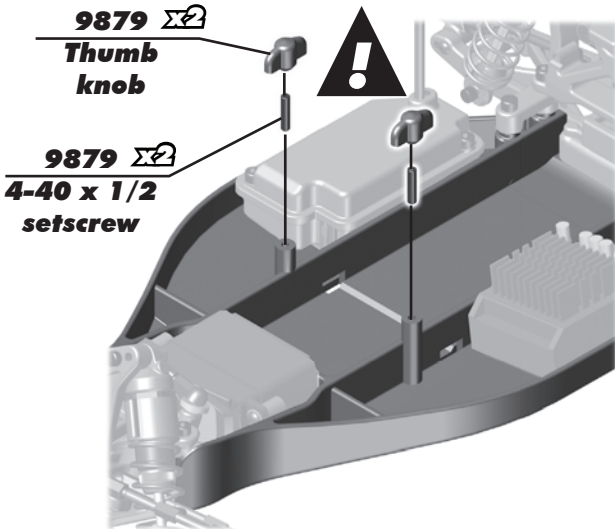
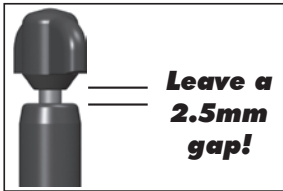




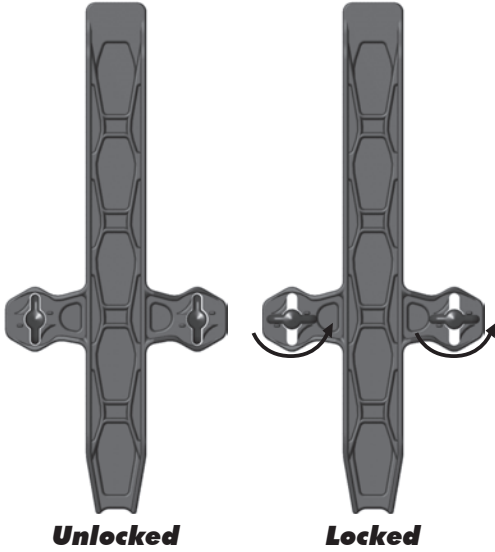
**:: Electronics Build - Step 7**



**:: Electronics Build - Step 8**



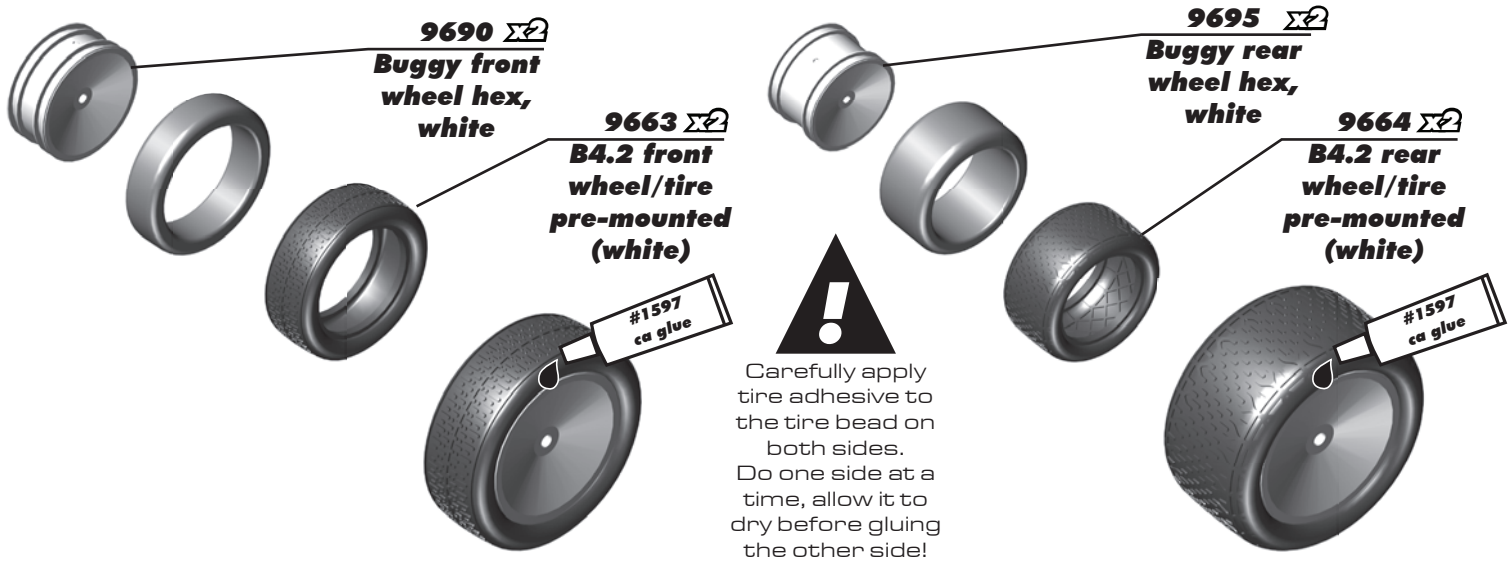
**:: Electronics Build - Step 9**



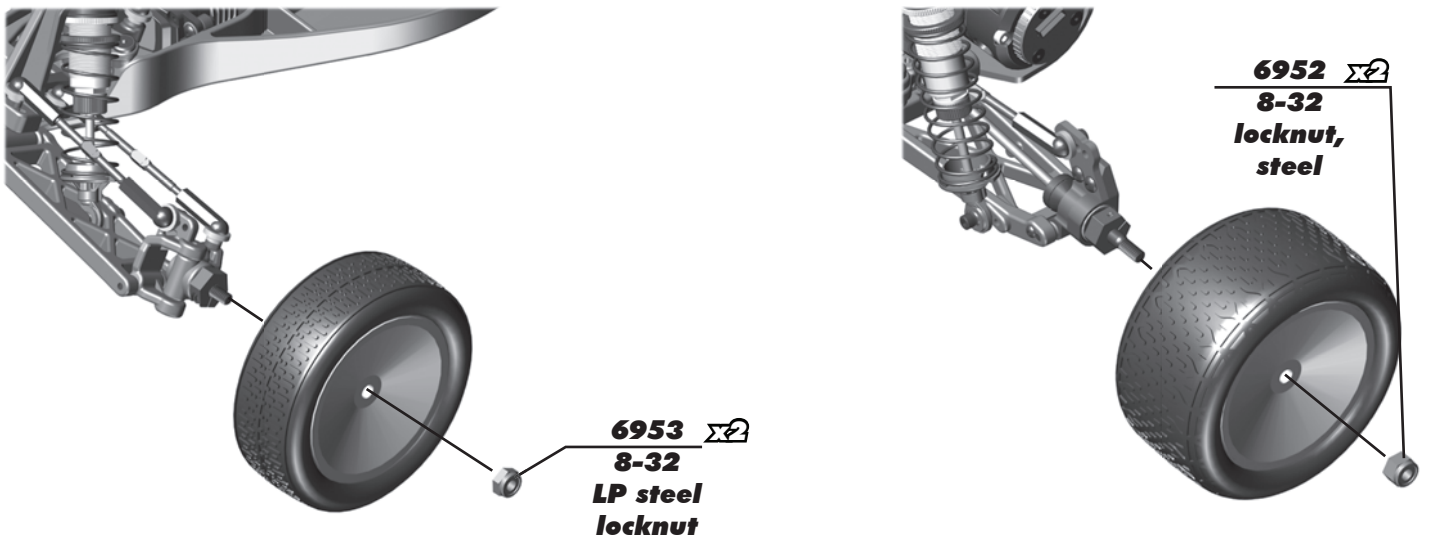
To remove your battery pack from the vehicle, twist the thumb knobs to the unlocked position, remove the battery strap, and then remove the battery. When you install the battery, make sure the thumb knobs are locked before operation.

You may need to adjust the height of the thumb knobs and/or the set screws that the thumb knobs are attached to for your specific battery pack type.

**:: Wheels / Tires and Body - Step 1**



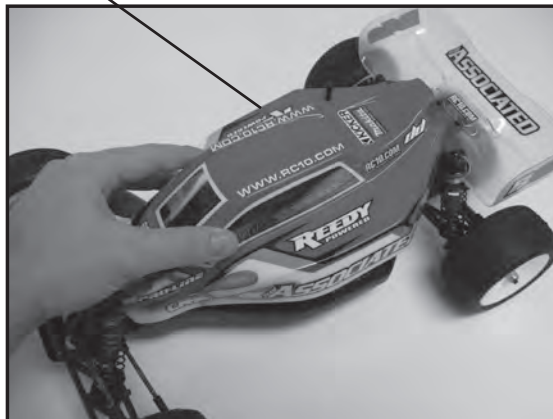
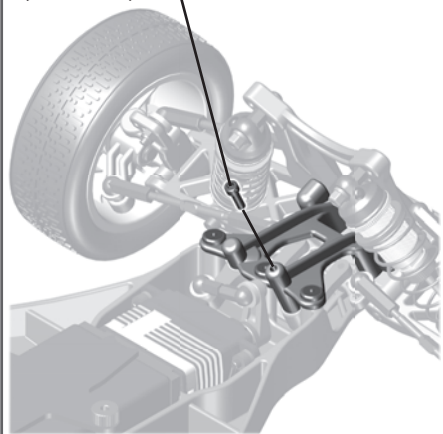
**:: Wheels / Tires and Body - Step 2**



**:: Wheels / Tires and Body - Step 3**

**6929**  
4-40x3/8  
shcs  
(w/hole)

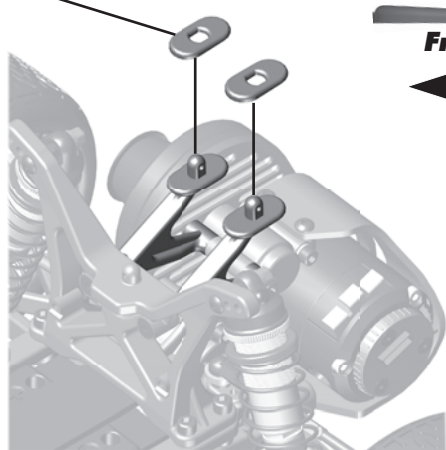
**RTR Body**  
(#9682 - Red)  
(#9683 - Blue)



**\*Racers Tip:**  
Instead of using the included body clips (#6332) and the #6929 SHCS for the top plate to install your body, you can use hook and loop tape on the inside of the body, and the sides of the chassis to keep your body in place!

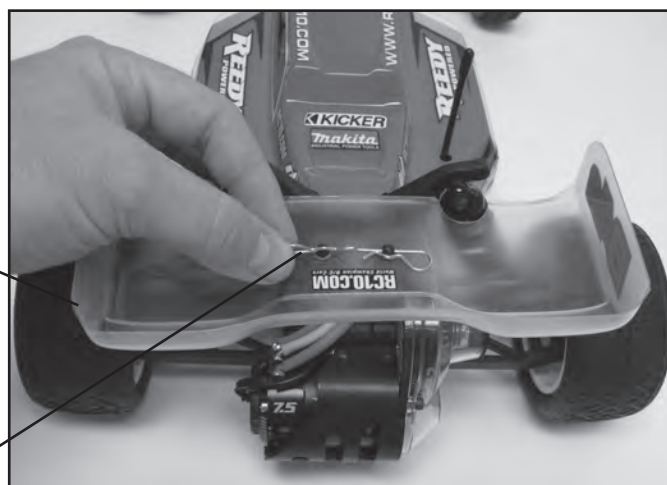
**:: Wheels / Tires and Body - Step 4**

**9587**   
Wing  
shims




**RTR Wing**  
(#9682 - Red)  
(#9683 - Blue)

**6332**   
Body  
clips



**:: Servo Chart**

**Steering Servo Chart**

|                   |   | <b># 9180</b><br>servo arm  |
|-------------------|---|--|
| <b>Associated</b> | XP-1015, XP-1313  | F  |
| <b>Airtronics</b> | 94102   | A  |
| <b>Airtronics</b> | 94257, 94258, 94357,<br>94358, 94452, 94453, 94755                                | A  |
| <b>Hitec</b>      | HS-5625MG, HS-5645MG, HS645MG   | H  |
| <b>Hitec</b>      | HS-965, HS-985MG,<br>HS-5965, HS-5985MG   | H  |
| <b>JR</b>         | Z4750, Z2750  | J  |
| <b>JR</b>         | Z250, Z550  | J  |
| <b>Futaba</b>     | S9204, S9250, S9450   | F  |
| <b>Futaba</b>     | S9404   | F  |
| <b>KO</b>         | PS-401, PS-2001, PS-2004, PS-2015, PS-2173,<br>PS-2174, PS-2123, PS-2143, PS-2144 | J  |

\* Not all servo's are listed

\* Make sure servo linkage clears the servo through full travel in both directions.  
Use #7336 servo spacers to adjust the servos position  
(to make the steering link as straight as possible)

## :: Tuning Tips

### Tips for Beginners:

Before making any changes to the standard setup, make sure you can get around the track without crashing. Changes to your vehicle will not be beneficial if you can't stay on the track. Your goal is consistent laps.

Once you can get around the track consistently, start tuning your vehicle. Make only ONE adjustment at a time, testing it before making another change. If the result of your adjustment is a faster lap, mark the change on the included setup sheet (make additional copies of the sheet before writing on it). If your adjustment results in a slower lap, revert back to the previous setup and try another change.

When you are satisfied with your vehicle, fill in the setup sheet thoroughly and file it away. Use this as a guide for future track days or conditions.

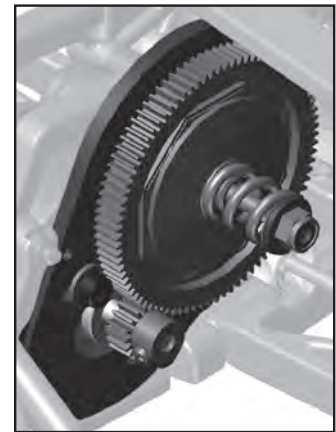
Periodically check all moving suspension parts. Suspension components must be kept clean and move freely without binding to prevent poor and/or inconsistent handling.

### Motor Gearing:

Proper motor gearing will result in maximum performance and run time while reducing the chance of overheating and premature motor failure. The gear ratio chart lists recommended starting gear ratios for the most widely used motor types. Gear ratios will vary depending upon motor brand, wind, and electronic speed control. Consult your motor and electronic speed control manufacturers for more information. Team Associated is not responsible for motor damage due to improper gearing. \* These gearings are for use with advanced timing speed control settings!

#### B4.2 Gear Ratio Chart (Internal Gear Ratio 2.60:1)

| Motor                        | Pinion | Spur | FDR     |
|------------------------------|--------|------|---------|
| 27T Reedy Stock              | 23     | 81   | 9.15:1  |
| 19T Reedy Super Stock        | 22     | 81   | 9.57:1  |
| 17.5 Reedy Sonic Brushless * | 23     | 78   | 8.82:1  |
| 17.5 Reedy Sonic Brushless   | 32     | 75   | 6.09:1  |
| 13.5 Reedy Sonic Brushless * | 22     | 81   | 9.57:1  |
| 13.5 Reedy Sonic Brushless   | 30     | 75   | 6.50:1  |
| 10.5 Reedy Sonic Brushless   | 24     | 81   | 8.78:1  |
| 9.5 Reedy Sonic Brushless    | 23     | 81   | 9.15:1  |
| 8.5 Reedy Sonic Brushless    | 22     | 81   | 9.57:1  |
| 7.5 Reedy Sonic Brushless    | 21     | 81   | 10.02:1 |
| 6.5 Reedy Sonic Brushless    | 21     | 81   | 10.02:1 |
| 3300kV Brushless             | 21     | 81   | 10.02:1 |
| 3900kV Brushless             | 21     | 81   | 10.02:1 |
| 4900kV Brushless             | 19     | 81   | 11.08:1 |
| 6100kV Brushless             | 18     | 81   | 11.70:1 |



### Set The Gear Mesh:

You should be able to rock the spur gear back and forth in the teeth of the pinion gear without making the pinion gear move. If the spur gear mesh is tight, then loosen the #31532 screws and move the motor away, then try again. A gear mesh that is too tight or too loose will reduce power and damage the gear teeth.

### Motor Maintenance:

Brushed motors require frequent maintenance to keep performance levels at their maximum. Between runs and after letting the motor cool completely, inspect the brushes to ensure that they are moving freely in their holders.

Remove the springs and slide the brushes in and out of their holders checking for any resistance or rough spots.

If found, remove the brush and carefully wipe it clean. Removing buildup will allow the brush to slide freely and create maximum contact with the commutator resulting in maximum power output.

After every 3-5 runs, remove the brushes from their holders and inspect the tips for wear or burning. If there is noticeable wear (less than 75% of the brush remaining), it is best to cut the commutator and replace the brushes with a new pair. If the tips become a burned blue color, the lubricant in the brush has been burned away and new brushes should be installed.

Occasionally, the motor should be cleaned with a soft brush to prevent dirt build up around the brush hood area and ball bearings. At this time, it is a good idea to add one drop of bushing / bearing oil to each bushing or ball bearing.

If using a brushless motor, please refer to the motor manufacturer's guidelines for proper maintenance.

### Slipper Clutch:

The assembly instructions give you a base setting for your clutch. Turn the nut on the shaft so that the end of the top shaft is even with the outside of the nut. At the track, tighten or loosen the nut in 1/8 turn increments until you hear a faint slipping sound for 1-2 feet on takeoffs. Another popular way to set the clutch is to hold both rear tires firmly in place and apply short bursts of throttle. If the clutch is properly set, the front tires should lift slightly up off the surface.

## :: Tuning Tips (cont.)

### Front Camber Links:

Changing the length of the camber link is considered a bigger step than adjusting the ball end height on the tower. Shortening the camber link (or lowering the ball end) will give the front end less roll and quicken steering response. Lengthening the camber link (or raising the ball end) will give the front more roll and slower steering response. Longer camber links are typically used on high grip tracks and shorter links tend to work better on medium-grip loose tracks.



\*Raise or lower the ball end by adding or subtracting washers here

### Front Camber:

Camber describes the angle at which the tire and wheel rides when looked at from the front. Negative camber means that the tire leans inward at the top. A good starting camber setting is  $-1^\circ$ . Use the included #1719 camber gauge to set your camber. Positive camber, where the top of the tire is leaning out, is not recommended.



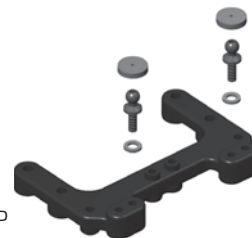
\*Testing camber with camber gauge

### Caster:

Caster describes the angle of the kingpin as it leans toward the rear of the vehicle. Positive caster means the kingpin leans rearward at the top. The supplied  $30^\circ$  caster blocks (#7922) are recommended in most cases. For less corner entry steering and more exit steering, try the optional  $25^\circ$  blocks (#7919).

### Rear Camber Link:

Changing the length of the camber link is considered a bigger step than adjusting the ball end height on the rear chassis brace. Shortening the camber link (or lowering the ball end) will give the rear end less roll and the car will tend to accelerate or "square up" better. Lengthening the camber link (or raising the ball end) will give the rear more roll and more cornering grip. Longer camber links are typically used on high grip tracks, while shorter links tend to work better on medium grip loose tracks. The kit setting is the best compromise of cornering grip and acceleration.



\*Raise or lower the ball end by adding or subtracting washers here

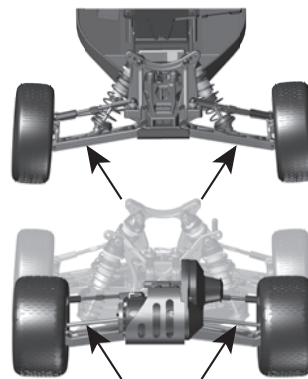
### Rear Camber:

Camber describes the angle at which the tire and wheel rides when looked at from the back. Negative camber means that the tire leans inward at the top. A good starting camber setting is  $-1^\circ$ . Use the included #1719 camber gauge to set your camber. Adding a small amount of positive camber, where the top of the tire is leaning out, will tend to improve straight-line acceleration on loose tracks.

### Ride Height:

Ride height is the distance from the ground to the bottom of the chassis. The standard front ride height setting is with the front arms level (referred to as "arms level") or 24mm (Ride Height Gauge #1449). Check the ride height by lifting up the entire car about 8-12 inches off the bench and drop it. After the suspension "settles" into place, measure ride height (Ride Height Gauge #1449). Raise or lower the shock collars as necessary so that the left & right arms appear to be level.

The rear ride height setting you should use most often is with the outdrive, driveshaft, and axles all on the same imaginary horizontal line (referred to as "bones level") or 24mm (Ride Height Gauge #1449). Check the ride height by lifting up the entire car about 8-12 inches off the bench and drop it. After the suspension "settles" into place, measure ride height (Ride Height Gauge #1449). Raise or lower the shock collars as necessary so that the left & right driveshafts appear to be level.



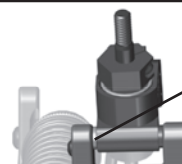
\*Front arms should be in a straight line when ride height is set at "arms level"



\*CVA bones should be in a straight line when ride height is set at "CVA bones level"

### Wheelbase Adjustment:

You have three options for rear hub spacing, Forward, Middle, & Back. The kit setting provides the most rear traction, and will be used most often. For improved handling in bumps or rhythm sections, try moving the hubs to the Middle or Back position. This can also make the car handle better in  $180^\circ$  turns.



\*Spacers to the rear will place hubs forward, shortening the wheelbase

### Anti-Roll Bars:

The optional #9635 rear anti-roll bar kit (also called the "swaybar") allows you to add roll resistance to the rear end with minimal effect on handling over bumps and jumps. It is an especially helpful tuning item on high-grip tracks (try the gold bar). The silver and black anti-roll bars are typically used on medium-grip loose tracks.

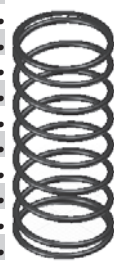
**:: Shocks**

|      |   |     |
|------|---|-----|
| 5407 | Red O-Rings   | 8   |
| 6299 | 1/8" E-Clips  | 12  |
| 6441 | Shock Cap, Molded                                     | 4   |
| 6459 | Shock Shaft, 1.02" stroke                             | 1   |
| 6460 | Shock Shaft, 0.71" stroke                             | 1   |
| 6465 | Shock Pistons, 4 each                                 | 1   |
| 6466 | Shock Down Stops, Set                                 | 1   |
| 6469 | Black Shock Cap O-Ring                                | 4   |
| 6473 | Shock Bushings  | 4   |
| 6475 | Preload Spacers 5 thicknesses, Collars & Cups, 4 each | 1   |
| 6925 | 4-40 x 1/2" SHCS                                      | 6   |
| 7217 | Shock Rod Ends / Plastic Pivot Balls                  | 2   |
| 7484 | V2 1/10 Shocks Rebuild Kit                            | 1   |
| 7738 | 4-40 x 7/8" SHCS                                      | 6   |
| 8846 | Preload Spacers, 4 each                               | 1   |
| 9680 | V2 RTR Front Shock Bodies 0.89"                       | Pr. |
| 9681 | V2 RTR Rear Shock Bodies 1.18"                        | Pr. |



**:: Springs**

|      |   |     |
|------|---|-----|
| 1581 | Factory Team Buggy Front Spring Kit. 1 pr 1 of green, silver, blue, black front springs   | 1   |
| 1582 | Factory Team Truck Rear Spring Kit. 1 pr of 1 green, silver, blue, gold, red rear springs | 1   |
| 6493 | Front Buggy Spring Brown 2.80 lb (Kit)  | Pr. |
| 6494 | Front Buggy Spring Green 3.50 lb  | Pr. |
| 6496 | Front Buggy Spring Silver 3.85 lb   | Pr. |
| 6497 | Front Buggy Spring Blue 4.20 lb   | Pr. |
| 8232 | Front Buggy Spring Black 3.20 lb  | Pr. |
| 6478 | Rear Spring Silver 2.10 lb  | Pr. |
| 6480 | Rear Spring Green 1.90 lb   | Pr. |
| 6481 | Rear Spring Black 1.74 lb (Kit)   | Pr. |
| 6482 | Rear Spring Gray 2.33 lb  | Pr. |
| 7434 | Rear Spring Blue 2.55 lb  | Pr. |
| 7435 | Rear Spring Gold 2.75 lb  | Pr. |
| 7436 | Rear Spring Red 2.95 lb   | Pr. |



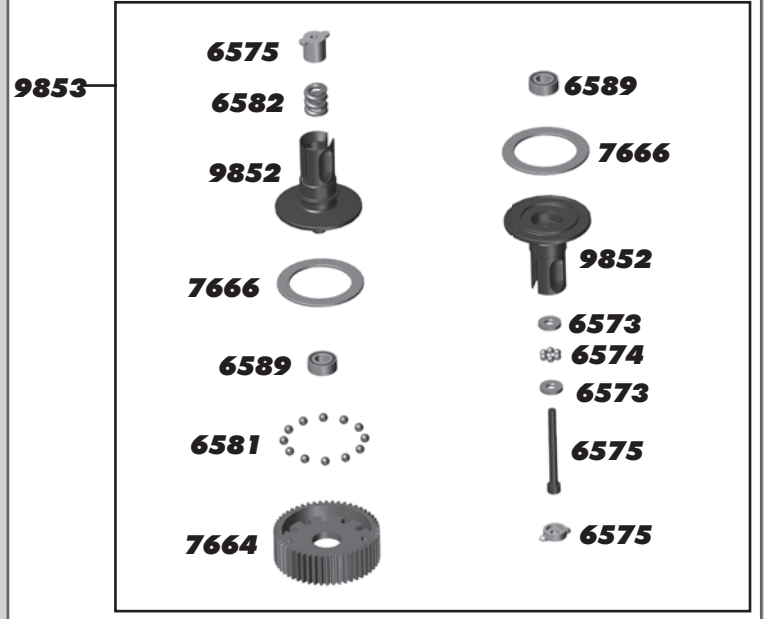
**:: Shock Fluid**

|      |                                  |      |
|------|----------------------------------|------|
| 5420 | 10 Weight Silicone Shock Fluid   | 2oz. |
| 5421 | 20 Weight Silicone Shock Fluid   | 2oz. |
| 5422 | 30 Weight Silicone Shock Fluid   | 2oz. |
| 5423 | 40 Weight Silicone Shock Fluid   | 2oz. |
| 5424 | 22.5 Weight Silicone Shock Fluid | 2oz. |
| 5425 | 80 Weight Silicone Shock Fluid   | 2oz. |
| 5426 | 27.5 Weight Silicone Shock Fluid | 2oz. |
| 5427 | 15 Weight Silicone Shock Fluid   | 2oz. |
| 5428 | 25 Weight Silicone Shock Fluid   | 2oz. |
| 5429 | 35 Weight Silicone Shock Fluid   | 2oz. |
| 5430 | 45 Weight Silicone Shock Fluid   | 2oz. |
| 5431 | 55 Weight Silicone Shock Fluid   | 2oz. |
| 5432 | 32.5 Weight Silicone Shock Fluid | 2oz. |
| 5433 | 37.5 Weight Silicone Shock Fluid | 2oz. |
| 5434 | 42.5 Weight Silicone Shock Fluid | 2oz. |
| 5435 | 50 Weight Silicone Shock Fluid   | 2oz. |
| 5436 | 60 Weight Silicone Shock Fluid   | 2oz. |
| 5437 | 70 Weight Silicone Shock Fluid   | 2oz. |
| 5438 | 47.5 Weight Silicone Shock Fluid | 2oz. |



**:: Optional Ball Differential**

|      |  |    |
|------|--|----|
| 6573 | Diff Thrust Washer & Bolt                | 2  |
| 6574 | Precision Diff Thrust Balls, 5/64"       | 6  |
| 6575 | Locking T-Nut, Diff Thrust Bolt, & Cover | 1  |
| 6581 | 3/32" Carbide Diff Balls                 | 12 |
| 6582 | Diff Thrust Spring                       | 1  |
| 6589 | Ball Bearing, 5/32 x 5/16" unflanged     | 2  |
| 7664 | Diff Gear 52T                            | 1  |
| 7666 | Diff Drive Rings, 2.60:1                 | 2  |
| 7677 | B4 / T4 / GT Diff Rebuild Kit            | 1  |
| 9852 | SC10 Ball Diff Outdrives                 | 1  |
| 9853 | SC10 Complete Ball Differential          | 1  |



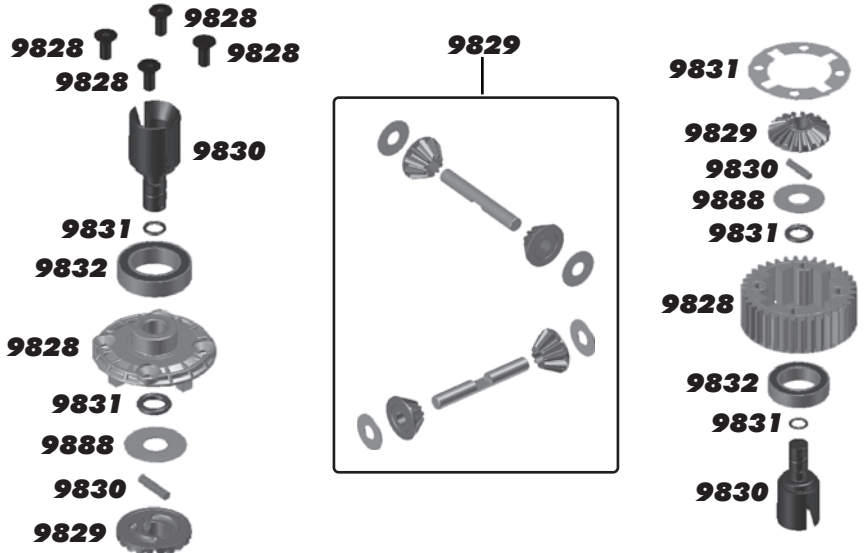
**:: Slipper Clutch / Pinions**

|      |                                      |    |      |                           |   |
|------|--------------------------------------|----|------|---------------------------|---|
| 6285 | 4-40 x 1/4 SHCS                      | 12 | 8253 | 16T 48P Pinion Gear       | 1 |
| 6629 | 5-40 Locknuts                        | 6  | 8254 | 17T 48P Pinion Gear       | 1 |
| 7460 | Molded B4/T4 Gear Cover, black (Kit) | 1  | 8255 | 18T 48P Pinion Gear       | 1 |
| 7461 | Molded B4/T4 Gear Cover, clear       | 1  | 8256 | 19T 48P Pinion Gear       | 1 |
| 9603 | B4/T4 Slipper Pad                    | 2  | 8257 | 20T 48P Pinion Gear       | 1 |
| 9604 | Slipper Plate                        | 1  | 8258 | 21T 48P Pinion Gear (Kit) | 1 |
| 9605 | Slipper Spring                       | 1  | 8259 | 22T 48P Pinion Gear       | 1 |
| 9650 | 75T 48P Spur Gear                    | 1  | 8260 | 23T 48P Pinion Gear       | 1 |
| 9651 | 81T 48P Spur Gear (Kit)              | 1  | 8261 | 24T 48P Pinion Gear       | 1 |
| 9652 | 78T 48P Spur Gear                    | 1  | 8262 | 26T 48P Pinion Gear       | 1 |
| 9653 | 84T 48P Spur Gear                    | 1  | 8263 | 26T 48P Pinion Gear       | 1 |
| 9654 | 87T 48P Spur Gear                    | 1  | 8264 | 27T 48P Pinion Gear       | 1 |
|      |                                      |    | 8265 | 28T 48P Pinion Gear       | 1 |
|      |                                      |    | 8266 | 29T 48P Pinion Gear       | 1 |
|      |                                      |    | 8267 | 30T 48P Pinion Gear       | 1 |
|      |                                      |    | 8268 | 31T 48P Pinion Gear       | 1 |
|      |                                      |    | 8269 | 32T 48P Pinion Gear       | 1 |
|      |                                      |    | 8270 | 33T 48P Pinion Gear       | 1 |
|      |                                      |    | 8271 | 34T 48P Pinion Gear       | 1 |
|      |                                      |    | 8272 | 35T 48P Pinion Gear       | 1 |



**:: Gear Differential**

|      |                          |   |
|------|--------------------------|---|
| 9827 | Complete Gear Diff       | 1 |
| 9828 | Diff Gear and Cover      | 1 |
| 9829 | Gear Diff Rebuild        | 1 |
| 9830 | Gear Diff Outdrives, Set | 1 |
| 9831 | Gear Diff O-Ring Set     | 1 |
| 9832 | 10x16mm Bearing          | 2 |
| 9888 | 0.5mm Gear Diff Shim     | 2 |



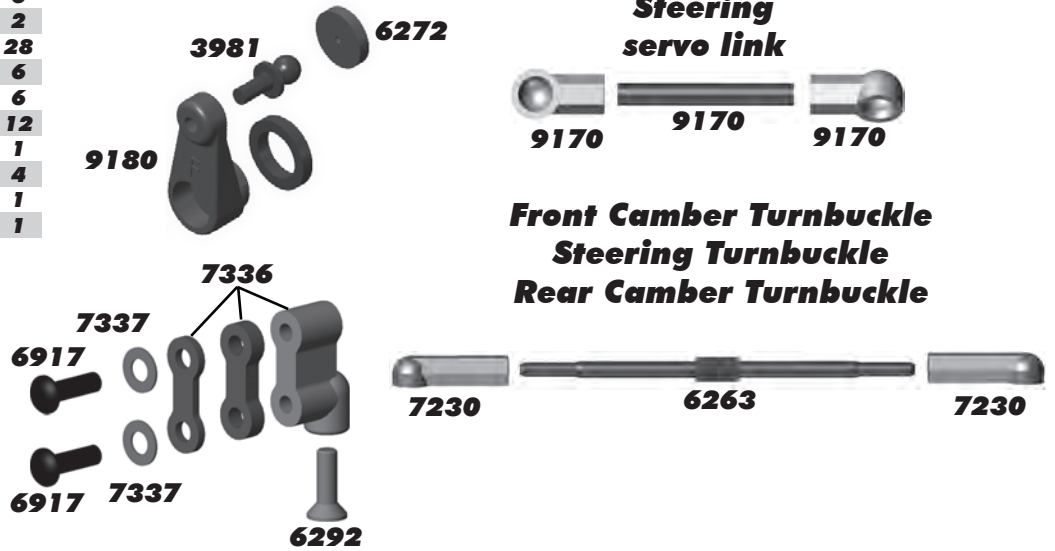
**:: Differential Fluids**

|      |                                |   |
|------|--------------------------------|---|
| 5450 | Silicone Diff Fluid 1,000CST   | 1 |
| 5451 | Silicone Diff Fluid 2,000CST   | 1 |
| 5452 | Silicone Diff Fluid 3,000CST   | 1 |
| 5453 | Silicone Diff Fluid 5,000CST   | 1 |
| 5454 | Silicone Diff Fluid 7,000CST   | 1 |
| 5455 | Silicone Diff Fluid 10,000CST  | 1 |
| 5456 | Silicone Diff Fluid 20,000CST  | 1 |
| 5457 | Silicone Diff Fluid 30,000CST  | 1 |
| 5458 | Silicone Diff Fluid 60,000CST  | 1 |
| 5459 | Silicone Diff Fluid 100,000CST | 1 |



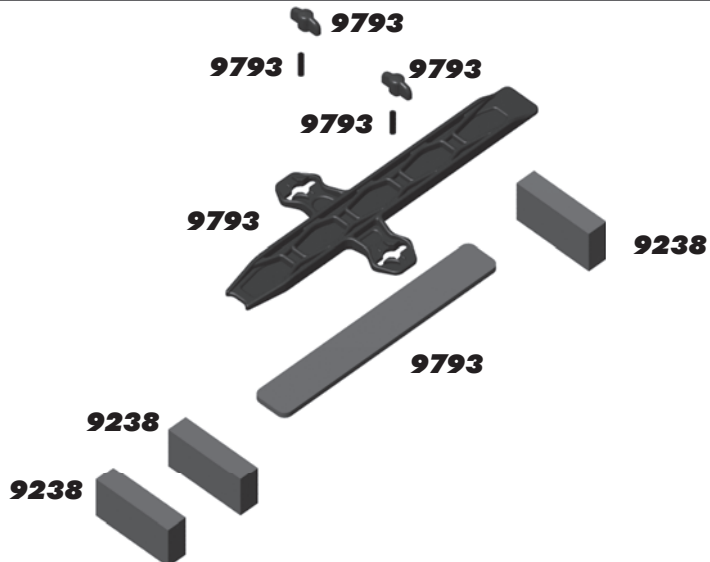
**:: Turnbuckles / Servo**

|      |                             |    |
|------|-----------------------------|----|
| 3981 | Ballstud .20" Black (short) | 6  |
| 6263 | Turnbuckle, 2.06"           | 2  |
| 6272 | Foam Ballend Dust Cover     | 28 |
| 6292 | 4-40 x 3/8" FHCS            | 6  |
| 6917 | 4-40 x 3/8" BHCS            | 6  |
| 7230 | Ballcups, large             | 12 |
| 7336 | Servo Mount Set             | 1  |
| 7337 | Gold Washer                 | 4  |
| 9170 | B4 / T4 Servo Link          | 1  |
| 9180 | Servo Horns Set             | 1  |



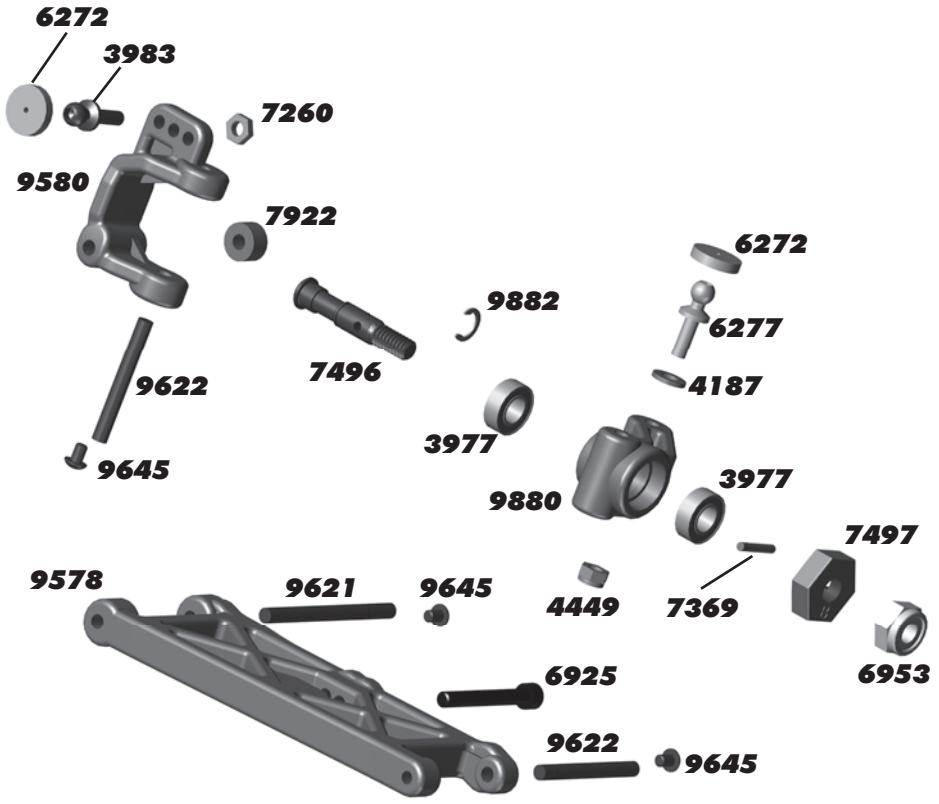
**:: Battery Strap**

|      |                            |   |
|------|----------------------------|---|
| 9238 | Foam Battery Spacers, Set  | 1 |
| 9793 | B4.1 RTR Battery Strap Set | 1 |



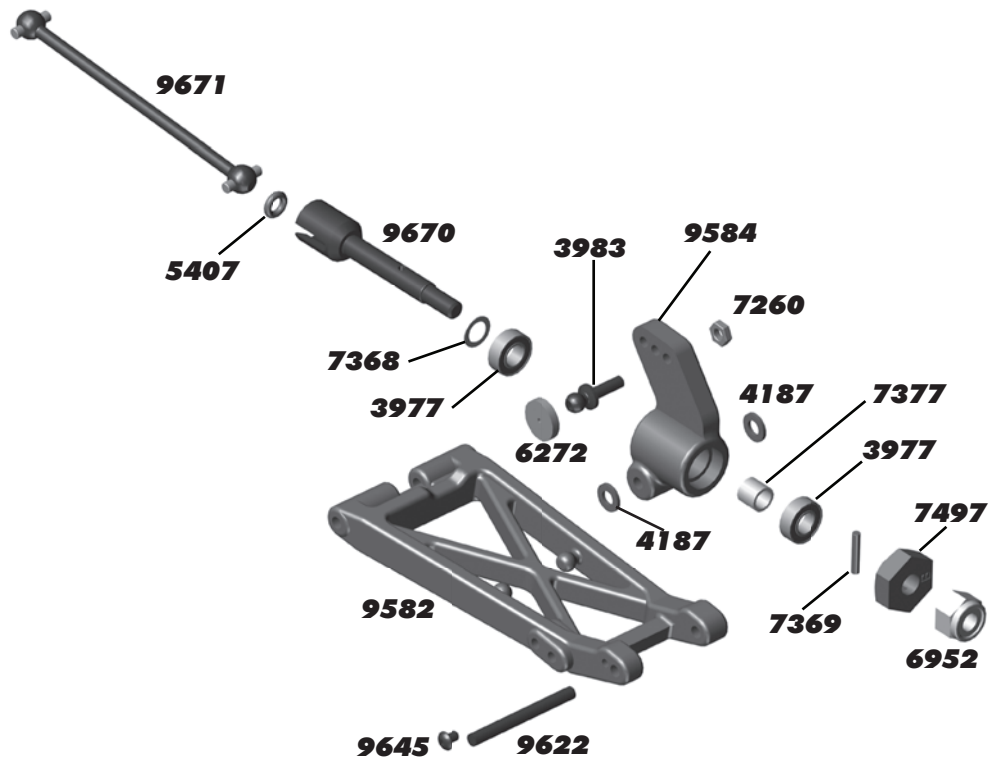
**:: Front Arm**

|      |                                  |     |
|------|----------------------------------|-----|
| 3977 | Ball Bearing 3/16" x 3/8"        | 2   |
| 3983 | Ballstud .30" Black (short)      | 6   |
| 4187 | .030 Nylon Washers               | 12  |
| 4449 | 4-40 Aluminum Locknut            | 5   |
| 6272 | Foam Ballend Dust Covers         | 28  |
| 6277 | Ballstud .30 Silver (short)      | 4   |
| 6925 | 4-40 X 1/2" SHCS                 | 6   |
| 6953 | 8-32 Low Profile Locknut, steel  | 6   |
| 7260 | 4-40 Plain Nut                   | 12  |
| 7369 | 1/16" Universal Roll Pins        | 4   |
| 7496 | B4 Front Axle, hex               | 2   |
| 7497 | B4 Wheel Hex Adapter Set         | 1   |
| 9578 | Front A-Arm B4                   | Pr. |
| 9580 | Caster Block, 25° (left & right) | Pr. |
| 9621 | Inner Hinge Pin Set              | 1   |
| 9622 | Outer Hinge Pin Set              | 1   |
| 9645 | 2-56 x 1/8" BHCS                 | 8   |
| 9880 | Steering Block, Hex              | Pr. |
| 9882 | C-Clip, 3/16"                    | 6   |



**:: Rear Arm**

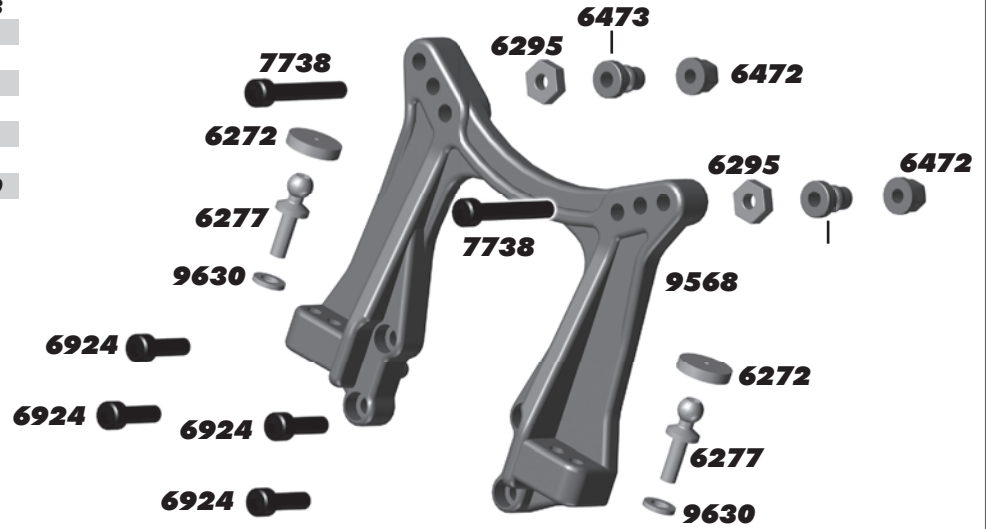
|      |                              |     |
|------|------------------------------|-----|
| 3977 | Ball Bearing 3/16 x 3/8"     | 2   |
| 3983 | Ballstud .30" Black (short)  | 6   |
| 4187 | .030 Nylon Washers           | 12  |
| 5407 | Red O-Ring                   | 8   |
| 6272 | Foam Ballend Dust Cover      | 28  |
| 6952 | 8-32 Locking Nut, Steel      | 6   |
| 7260 | 4-40 Plain Nut               | 12  |
| 7368 | 3/16" Axle Shims             | 14  |
| 7369 | 1/16" Axle Roll Pins         | 4   |
| 7497 | B4 Wheel Hex Adapter Set     | 1   |
| 9582 | B4 Rear A-Arms (L&R)         | Pr. |
| 9584 | B4 / T4 RR Hub Carrier (L&R) | Pr. |
| 9622 | B4 Outer Hinge Pin Set       | 1   |
| 9645 | 2-56 x 1/8" BHCS             | 8   |
| 9670 | 3/16" Rear Axle              | 1   |
| 9671 | B4 RTR Dogbone               | 1   |





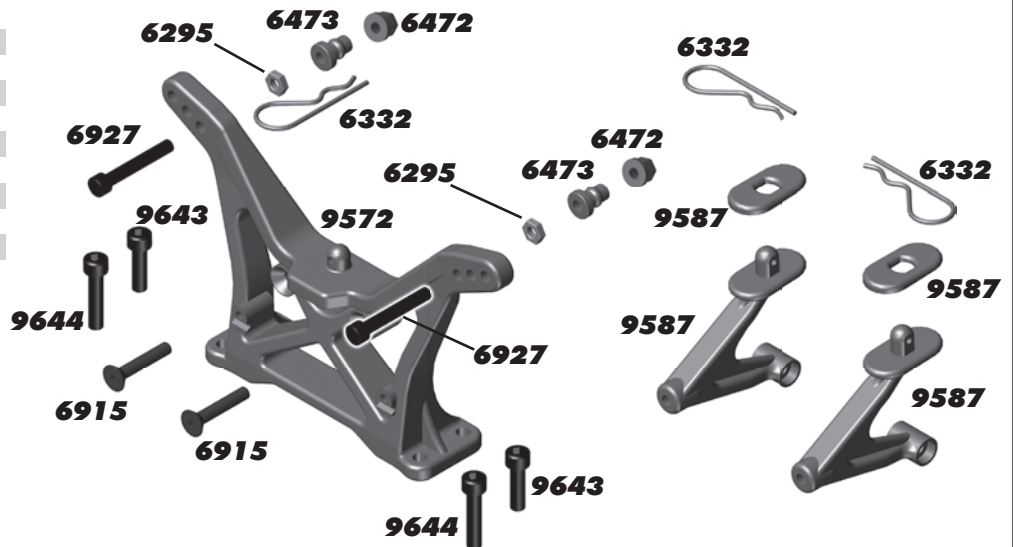
**:: Front Shock Tower**

|      |                             |    |
|------|-----------------------------|----|
| 6272 | Foam Ballend Dust Covers    | 28 |
| 6277 | Ballstud .30 Silver (short) | 4  |
| 6472 | 4-40/5-40 Plastic Nut       | 4  |
| 6473 | Shock Bushing               | 4  |
| 6924 | 4-40 x 3/8" SHCS            | 6  |
| 7738 | 4-40 x 7/8" SHCS            | 6  |
| 9568 | B4 Front Shock Tower        | 1  |
| 9630 | Ballstud Washer             | 10 |



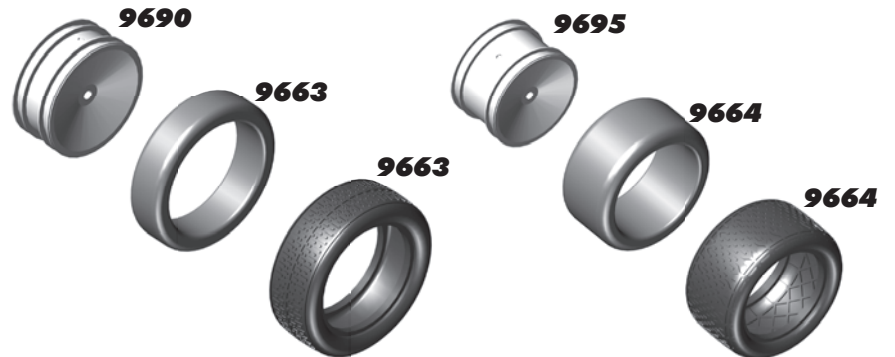
**:: Rear Shock Tower**

|      |                               |   |
|------|-------------------------------|---|
| 6332 | Body Clips                    | 6 |
| 6472 | 4-40/5-40 Plastic Nut         | 4 |
| 6473 | Shock Bushing                 | 4 |
| 6915 | 4-40 x 5/8" FHCS              | 6 |
| 6927 | 4-40 x 3/4" SHCS              | 6 |
| 7413 | 4-40 x 3/4 BHCS               | 6 |
| 9572 | B4 Rear Shock Tower           | 1 |
| 9587 | B4 / T4 Wing Mount / Shim Set | 1 |
| 9643 | 5-40 x 7/16" SHCS             | 6 |
| 9644 | 5-40 x 9/16" SHCS             | 6 |



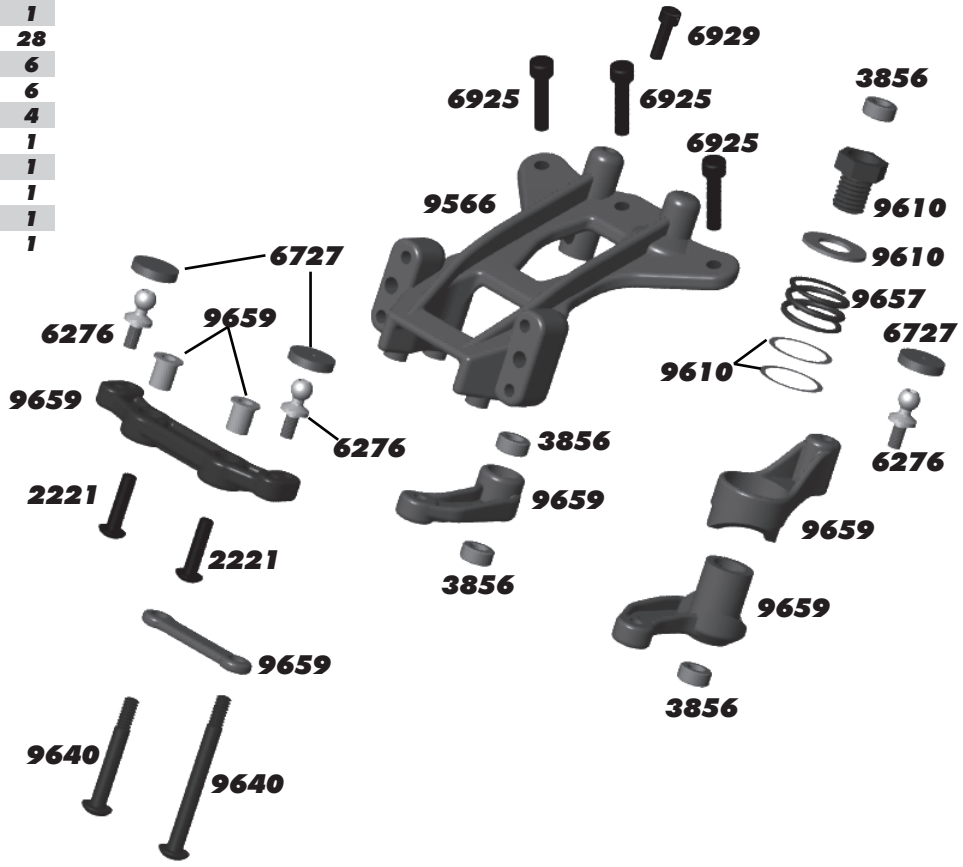
**:: Wheels**

|      |  |   |
|------|--|---|
| 9663 | B4.2 Front Wheel/Tire Pre Mounts (white) | 2 |
| 9664 | B4.2 Rear Wheel/Tire Pre Mounts (white)  | 2 |
| 9690 | Buggy Front Wheel, hex, white            | 2 |
| 9691 | Buggy Front Wheel, hex, yellow           | 2 |
| 9695 | Buggy Rear Wheel Hex, white              | 2 |
| 9696 | Buggy Rear Wheel Hex, yellow             | 2 |



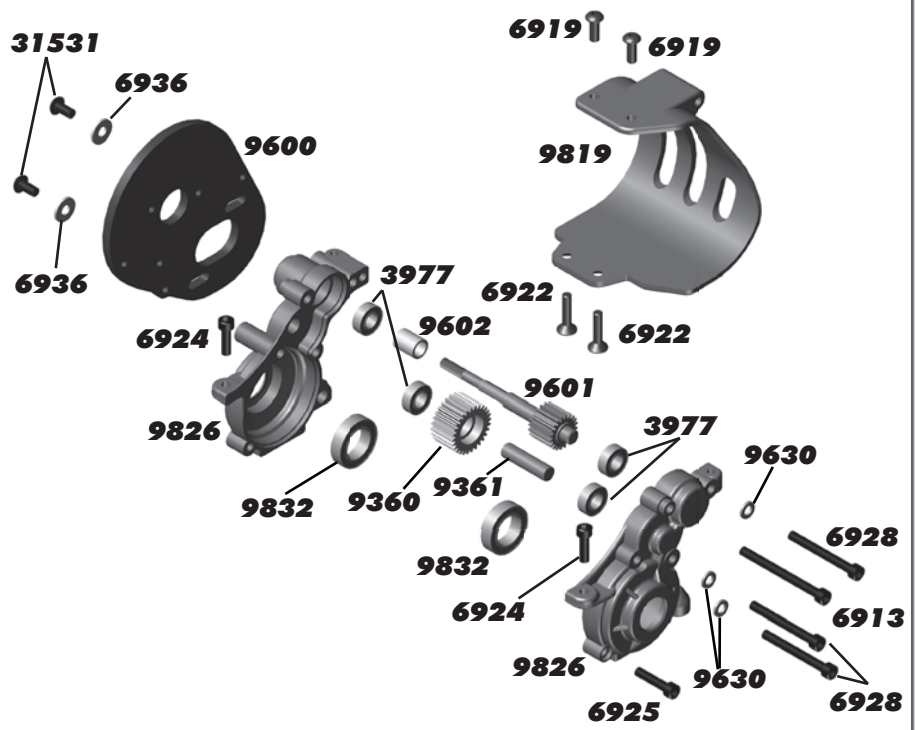
**:: Steering**

|      |   |    |
|------|---|----|
| 2221 | 4-40 x 7/16" BHCS   | 6  |
| 3856 | Steering Bushings, Set  | 1  |
| 6272 | Foam Ball end Dust Covers   | 28 |
| 6276 | Ballstud .20" Silver (short)  | 6  |
| 6925 | 4-40 x 1/2" SHCS  | 6  |
| 6929 | 4-40 X 3/8" SHCS, w/hole  | 4  |
| 9566 | B4 / T4 Top Plate   | 1  |
| 9610 | Servo Saver / Steering Hardware   | 1  |
| 9640 | B4 / T4 Steering Bolt, left & right   | 1  |
| 9657 | B4 / T4 HD Servo Saver Spring   | 1  |
| 9659 | B4 / T4 Steering Set. Includes Rack, Bellcrank, Servo Saver, Steering Brace | 1  |



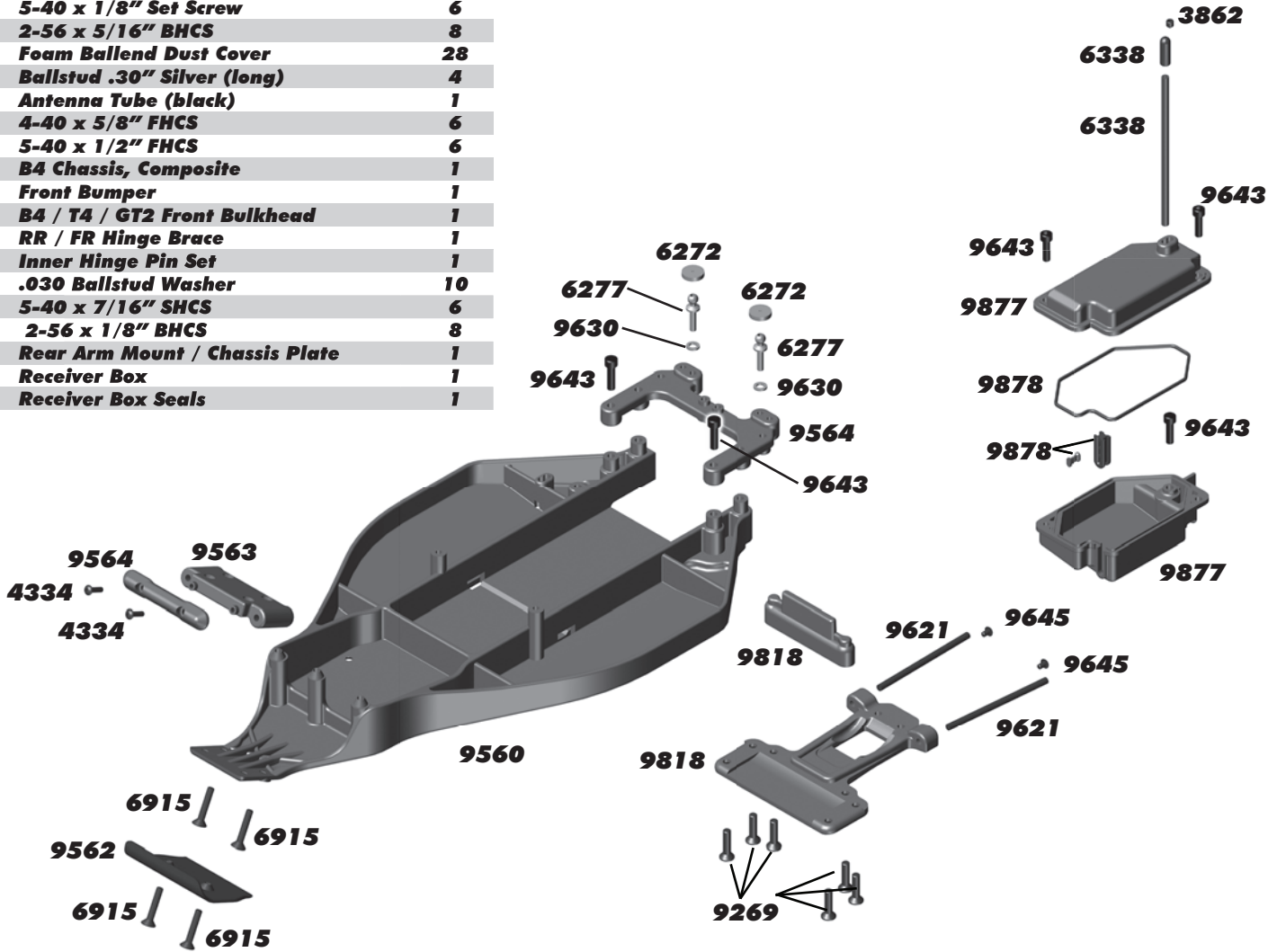
**:: Transmission**

|       |                                       |    |
|-------|---------------------------------------|----|
| 3977  | Ball Bearing, 3/16" x 3/8"            | 2  |
| 6913  | 4-40 x 1 1/4" SHCS                    | 6  |
| 6919  | 4-40 x 5/16" BHCS                     | 6  |
| 6922  | 4-40 x 1/2" FHCS                      | 6  |
| 6924  | 4-40 x 3/8" SHCS                      | 6  |
| 6925  | 4-40 x 1/2" SHCS                      | 6  |
| 6928  | 4-40 x 1" SHCS                        | 6  |
| 6936  | #4 Washer, Aluminum                   | 10 |
| 9360  | Idler Gear, molded                    | 1  |
| 9361  | Idler Gear Shaft                      | 1  |
| 9600  | B4/T4 Motor Plate                     | 1  |
| 9601  | B4/T4 Top Shaft                       | 1  |
| 9602  | B4/T4 Top Shaft Spacer                | 1  |
| 9630  | Ball End Washer                       | 10 |
| 9819  | Motor Guard                           | 1  |
| 9826  | SC10 Transmission Case (left & right) | 1  |
| 9832  | Ball Bearing, 10 x 16mm               | 2  |
| 31531 | 3 x 6mm BHCS                          | 6  |



**:: Chassis**

|      |                                |    |
|------|--------------------------------|----|
| 3862 | 5-40 x 1/8" Set Screw          | 6  |
| 4334 | 2-56 x 5/16" BHCS              | 8  |
| 6272 | Foam Ballend Dust Cover        | 28 |
| 6277 | Ballstud .30" Silver (long)    | 4  |
| 6338 | Antenna Tube (black)           | 1  |
| 6915 | 4-40 x 5/8" FHCS               | 6  |
| 9269 | 5-40 x 1/2" FHCS               | 6  |
| 9560 | B4 Chassis, Composite          | 1  |
| 9562 | Front Bumper                   | 1  |
| 9563 | B4 / T4 / GT2 Front Bulkhead   | 1  |
| 9564 | RR / FR Hinge Brace            | 1  |
| 9621 | Inner Hinge Pin Set            | 1  |
| 9630 | .030 Ballstud Washer           | 10 |
| 9643 | 5-40 x 7/16" SHCS              | 6  |
| 9645 | 2-56 x 1/8" BHCS               | 8  |
| 9818 | Rear Arm Mount / Chassis Plate | 1  |
| 9877 | Receiver Box                   | 1  |
| 9878 | Receiver Box Seals             | 1  |



**:: Lubes & Adhesives / Misc.**

|      |                           |   |
|------|---------------------------|---|
| 1105 | FT Green Slime Shock Lube | 1 |
| 1596 | FT Locking Adhesive       | 1 |
| 1597 | FT Tire Adhesive, medium  | 1 |
| 6588 | Black Grease - 4cc        | 1 |
| 6591 | S.Diff Lube - 4cc         | 1 |
| 6636 | Silicone Grease - 4cc     | 1 |
| 6727 | Servo Tape                | 2 |



**:: Body and Decals**

|      |  |   |
|------|--|---|
| 9614 | B4 Clear Body & Wing                     | 1 |
| 9658 | B4 Decal Sheet                           | 1 |
| 9675 | B4 Painted Body, Flames, Blue Background | 1 |
| 9676 | B4 Painted Body, Flames, Red Background  | 1 |
| 9682 | B4.2 RTR Body and Wing, Red              | 1 |
| 9683 | B4.2 RTR Body and Wing, Blue             | 1 |
| 9692 | B4 Vortex Body + Wings Set, clear        | 1 |
| 9772 | High Downforce Wing 6.5"                 | 1 |
| 9790 | B4.1 RTR Body, Blue, with spoiler        | 1 |
| 9791 | B4.1 RTR Body, Green, with spoiler       | 1 |
| 9792 | B4.1 Body Clear, with spoiler            | 1 |
| 9782 | B4.2 Decal Sheet                         | 1 |

**:: XP Electronics**

|       |                                 |   |
|-------|---------------------------------|---|
| 29107 | S1903 Metal Gear Set            | 1 |
| 29125 | S1903MG Servo                   | 1 |
| 29126 | S2008MG Servo                   | 1 |
| 29127 | XP DS2008/S2008 Metal Gear Set  | 1 |
| 29133 | XP DS1903 Servo                 | 1 |
| 29134 | XP DS1903MG Servo               | 1 |
| 29135 | XP DS2008MG Servo               | 1 |
| 29138 | XP SC500 Brushless ESC          | 1 |
| 29139 | XP SC900-BL Brushless ESC       | 1 |
| 29142 | XP ESC Fan Option               | 1 |
| 29143 | XP SC700-BL Brushless ESC       | 1 |
| 29144 | XP SC1200 Brushless ESC         | 1 |
| 29145 | XP SC1300 Brushless ESC         | 1 |
| 29166 | XP DS1313 Digital Servo         | 1 |
| 29167 | XP DS1015 Digital Servo         | 1 |
| 29168 | XP DS1510MG Digital Servo       | 1 |
| 29209 | Gear Set, DS1313                | 1 |
| 29210 | Gear Set, DS1015                | 1 |
| 29211 | Servo Case, DS1313 / DS1015     | 1 |
| 29212 | Accessory Pack, DS1313 / DS1015 | 1 |
| 29214 | TRS 403-SSi Receiver            | 1 |
| 29215 | XP2G 2.4GHz Radio System        | 1 |
| 29216 | XP3G 2.4GHz Radio System        | 1 |
| 29251 | XP DS1505MG Digital Servo       | 1 |

## :: Factory Team and Option Parts

|       |  |       |
|-------|--|-------|
| 1406  | FT Ti Turnbuckle, 2.00" (blue)   | Pr.   |
| 1409  | FT Ti Turnbuckle, 1" (sway bar) (blue)   | Pr.   |
| 1585  | FT B4 Aluminum Trailing Axle   | Pr.   |
| 1654  | FT Solid Axle Pins   | 4     |
| 1734  | FT Blue Body Clip, 4 long, 6 short   | 10    |
| 1735  | FT Blue Body Clip, long  | 4     |
| 1736  | FT Blue Body Clip, short   | 6     |
| 1770  | FT Milled Aluminum Motor Plate, (blue)   | 1     |
| 1777  | Blue Aluminum Shock Ball Ends with Eyelets   | 4     |
| 1778  | FT Milled Aluminum Motor Plate, (black)  | 1     |
| 1779  | FT Servo Mounts, blue aluminum   | Pr.   |
| 1780  | FT Blue Alum. Threaded Shock Bushings (standard)   | 4     |
| 1781  | FT Blue Alum. Threaded Shock Bushings (short)  | 4     |
| 1787  | FT Battery Strap Thumb Screws  | Pr.   |
| 3971  | Steering Rack Bearings   | 4     |
| 6906  | Ball Bearing, PTFE Sealed 3/16 x 3/8"  | 2     |
| 6937  | FT 4-40 Aluminum Locknuts (blue)   | 6     |
| 6943  | FT 8-32 Aluminum Locknuts (blue)   | 6     |
| 7381  | CVD Rebuild Kit  | 1     |
| 7485  | FT V2 Slipper Hubs   | Pr.   |
| 7486  | FT V2 Slipper Spring and Washer  | 1     |
| 7487  | Arm Mount Set (2.5, 3, 3.5, 4 deg)   | 1     |
| 7922  | Caster Block 30 deg, (left & right)  | Pr.   |
| 7990  | Aluminum Front Bulkhead  | 1     |
| 9561  | B4 Chassis Carbon, short chassis   | 1     |
| 9565  | Chassis Brace, Hinge Pin Brace, Carbon   | 1     |
| 9567  | Top Plate, Carbon  | 1     |
| 9569  | Front Shock Tower B4 Carbon  | 1     |
| 9573  | Rear Shock Tower Carbon B4   | 1     |
| 9577  | Steering Blocks, Inline (B4 req. #9623)  | Pr.   |
| 9579  | Front A-Arm B4 Carbon  | Pr.   |
| 9583  | Rear A-Arm B4 Carbon   | Pr.   |
| 9586  | Battery Strap Carbon, B4 (short chassis)   | 1     |
| 9592  | Caster Block 20 deg, (left & right)  | Pr.   |
| 9593  | FT Caster Block, 30 deg, (left & right)  | Pr.   |
| 9594  | Battery Strap Woven Carbon, B4 (short chassis)   | 1     |
| 9597  | CVD Axle Bones, B4   | Pr.   |
| 9598  | CVD Axles, B4 / T4   | Pr.   |
| 9599  | CVD Set, B4  | 1     |
| 9600B | FT Aluminum Motor Plate (blue)   | 1     |
| 9623  | FT B4 Front Inline Axle (req. #9577)   | Pr.   |
| 9635  | B4 / T4 Sway Bar Kit. Includes color coded bars, soft (black), med (silver), hard (gold) | 1     |
| 9636  | B4 +8mm Conversion Kit   | 1     |
| 9655  | B4 Full Carbon Set, (short chassis)  | 1     |
| 9665  | FT B4 / T4 Aluminum Hinge Pin Brace  | 1     |
| 9672  | FT CVA Bone, B4  | Pr.   |
| 9673  | B4 Shiny CVD Dogbone   | Pr.   |
| 9677  | FT CVA Set, B4   | Pr.   |
| 9679  | B4/T4 Aluminum Bellcrank Set   | 1     |
| 9739  | Slipper Spring   | 1     |
| 9755  | CVA Axle, Rear (B44, B4, T4, SC10)   | Pr.   |
| 9789  | FT Titanium Front Axles, SC10 / B4   | Pr.   |
| 9795  | Ti Nitride Ballstuds 4-40 x 0.20" Long   | Pr.   |
| 9796  | Ti Nitride Ballstuds 4-40 x 0.30" Long   | Pr.   |
| 9797  | Ti Nitride Ballstuds 4-40 x 0.40" Long   | Pr.   |
| 9798  | Ti Nitride Ballstuds 4-40 x 0.20" Short  | Pr.   |
| 9799  | Ti Nitride Ballstuds 4-40 x 0.30" Short  | Pr.   |
| 9864  | FT Aluminum Hub, 0 deg   | Pr.   |
| 9865  | FT Aluminum Hub, 0.5 deg   | Pr.   |
| 9866  | FT Aluminum Hub, 1 deg   | Pr.   |
| 9867  | FT Aluminum Hub, 1.5 deg   | Pr.   |
| 9872  | FT Aluminum Hub Tower Set  | 1     |
| 9890  | 12mm Alum. Clamping Wheel Hex, Buggy Rear  | 2     |
| 9891  | 12mm Alum. Clamping Wheel Hex, Buggy Front   | 2     |
| 9917  | Aluminum Hub A, Carbon   | Pr.   |
| 9918  | Aluminum Hub Tower B, Graphite   | Pr.   |
| 31237 | CVA Pin Retaining Clip   | Pr.   |
| 31286 | FT Ballstud Washer, aluminum (1mm, 2mm)  | 4ea.  |
| 31327 | VCS3 Shock Bottom Cap and O-Ring   | 2 ea. |
| 91175 | FT VTS Slipper Conversion  | 1     |
| 91176 | VTS Slipper Housing  | 1     |
| 91177 | VTS Slipper Pads   | 2     |

## :: Factory Team and Option Parts cont.

|       |   |       |
|-------|---|-------|
| 91178 | VTS Slipper Plate                         | 1     |
| 91179 | FT VTS Slipper Hub, outer                 | 1     |
| 91299 | 12X23mm FT Shock Bodies (front)           | 2     |
| 91301 | 12X31mm FT Shock Bodies (rear)            | 2     |
| 91303 | 12MM Shock Cap                            | 2     |
| 91304 | 12MM Threaded Collar and O-Ring           | 2     |
| 91305 | 21X3mm TiN Shock Shaft (front)            | 1     |
| 91306 | 27.5X3mm TiN Shock Shaft (rear)           | 1     |
| 91308 | 12MM Shock Pistons, (1.5, 1.6, 1.7)       | 4 ea. |
| 91309 | 12MM Shock Rebuild Kit                    | 1     |
| 91310 | 12MM Shock Spring Cups (+0mm, +5mm, +9mm) | 4 ea. |
| 91314 | 12MM Shock (B4/B44 Front)                 | 2     |
| 91316 | 12MM Shock (B4/B44 Rear)                  | 2     |
| 91325 | 12MM Front SPRING BRN 2.85                | Pr.   |
| 91326 | 12MM Front SPRING BLK 3.00                | Pr.   |
| 91327 | 12MM Front SPRING GRN 3.15                | Pr.   |
| 91328 | 12MM Front SPRING WHT 3.30                | Pr.   |
| 91329 | 12MM Front SPRING GRY 3.45                | Pr.   |
| 91330 | 12MM Front SPRING BLU 3.60                | Pr.   |
| 91331 | 12MM Front SPRING YLW 3.75                | Pr.   |
| 91332 | 12MM Front SPRING RED 3.90                | Pr.   |
| 91333 | 12MM Front SPRING ORN 4.05                | Pr.   |
| 91334 | 12MM Front SPRING PRL 4.20                | Pr.   |
| 91335 | 12MM Rear SPRING BLK 1.90                 | Pr.   |
| 91336 | 12MM Rear SPRING GRN 2.00                 | Pr.   |
| 91337 | 12MM Rear SPRING WHT 2.10                 | Pr.   |
| 91338 | 12MM Rear SPRING GRY 2.20                 | Pr.   |
| 91339 | 12MM Rear SPRING BLU 2.30                 | Pr.   |
| 91340 | 12MM Rear SPRING YLW 2.40                 | Pr.   |
| 91341 | 12mm Big Bore Front Soft Spring Kit       | 1     |
| 91342 | 12mm Big Bore Front Medium Spring Kit     | 1     |
| 91343 | 12mm Big Bore Front Hard Spring Kit       | 1     |
| 91344 | 12mm Big Bore Rear Soft Spring Kit        | 1     |
| 91345 | 12mm Big Bore Rear Medium Spring Kit      | 1     |

## :: Reedy Motors and ESC's

|     |   |   |
|-----|---|---|
| 231 | Sonic 540 Mach 2 21.5 Competition Brushless Motor | 1 |
| 232 | Sonic 540 Mach 2 17.5 Competition Brushless Motor | 1 |
| 233 | Sonic 540 Mach 2 13.5 Competition Brushless Motor | 1 |
| 234 | Sonic 540 Mach 2 10.5 Competition Brushless Motor | 1 |
| 235 | Sonic 540 Mach 2 9.5 Competition Brushless Motor  | 1 |
| 236 | Sonic 540 Mach 2 8.5 Competition Brushless Motor  | 1 |
| 237 | Sonic 540 Mach 2 8.0 Competition Brushless Motor  | 1 |
| 238 | Sonic 540 Mach 2 7.5 Competition Brushless Motor  | 1 |
| 239 | Sonic 540 Mach 2 7.0 Competition Brushless Motor  | 1 |
| 240 | Sonic 540 Mach 2 6.5 Competition Brushless Motor  | 1 |
| 241 | Sonic 540 Mach 2 6.0 Competition Brushless Motor  | 1 |
| 242 | Sonic 540 Mach 2 5.5 Competition Brushless Motor  | 1 |
| 243 | Sonic 540 Mach 2 5.0 Competition Brushless Motor  | 1 |
| 244 | Sonic 540 Mach 2 4.5 Competition Brushless Motor  | 1 |
| 245 | Sonic 540 Mach 2 4.0 Competition Brushless Motor  | 1 |
| 246 | Sonic 540 Mach 2 3.5 Competition Brushless Motor  | 1 |
| 908 | Replacement Rotor 540-SL                          | 1 |
| 920 | 540-SL Brushless Motor 3300kV                     | 1 |
| 921 | 540-SL Brushless Motor 3900kV                     | 1 |
| 922 | 540-SL Brushless Motor 4900kV                     | 1 |
| 923 | 540-SL Brushless Motor 6100kV                     | 1 |
| 954 | Sonic 540 Stock Rotor 12.3 x 24.2 (7.25)          | 1 |
| 955 | Sonic 540 Stock Rotor 12.3 x 25.0 (7.25)          | 1 |
| 956 | Sonic 540 Stock Rotor 12.5 x 25.0 (7.25)          | 1 |
| 957 | Sonic 540 Modified Rotor 12.2 x 25.0 (5.0)        | 1 |
| 958 | Sonic 540 Modified Rotor 12.5 x 25.0 (5.0)        | 1 |
| 965 | Reedy 540-SL 3300kV/XP SC700-BL ESC Combo         | 1 |
| 966 | Reedy 540-SL 3900kV/XP SC700-BL ESC Combo         | 1 |
| 967 | Reedy 540-SL 4900kV/XP SC700-BL ESC Combo         | 1 |
| 983 | Reedy 540-SL 3300kV/XP SC1200-BL ESC Combo        | 1 |
| 984 | Reedy 540-SL 3900kV/XP SC1200-BL ESC Combo        | 1 |
| 985 | Reedy 540-SL 4900kV/XP SC1200-BL ESC Combo        | 1 |
| 986 | Reedy 540-SL 6100kV/XP SC1200-BL ESC Combo        | 1 |
| 987 | Sonic 540 Modified Rotor 13.0 x 25.0 (5.0)        | 1 |

**:: Reedy Batteries**

|     |  |   |
|-----|--|---|
| 302 | AA Alkaline 1.5V (4)                     | 1 |
| 303 | AA 2700mAh NiMH 1.2V Rechargeable (4)    | 1 |
| 309 | LiPo 65C 7000mAh 7.4V                    | 1 |
| 602 | LiPo 65C 4100mAh 7.4V Shorty             | 1 |
| 628 | LiPo 60C 5500mAh 7.4V                    | 1 |
| 681 | Wolfpack 2400mAh 7.2V w/DEANS® connector | 1 |
| 682 | Wolfpack 3000mAh 7.2V w/DEANS® connector | 1 |
| 683 | Wolfpack 3600mAh 7.2V w/DEANS® connector | 1 |
| 684 | Wolfpack 4200mAh 7.2V w/DEANS® connector | 1 |
| 730 | Wolfpack LiPo 3000mAh 7.4V 25C w/DEANS®  | 1 |
| 731 | Wolfpack LiPo 3300mAh 7.4V 35C w/DEANS®  | 1 |
| 732 | Wolfpack LiPo 3400mAh 7.4V 35C w/DEANS®  | 1 |
| 734 | Wolfpack LiPo 6500mAh 7.4V 25C w/DEANS®  | 1 |
| 736 | Wolfpack LiPo 5000mAh 7.4V 25C           | 1 |
| 738 | Wolfpack LiPo 3800mAh 7.4V 25C Shorty    | 1 |

**:: Reedy Accessories**

|     |                                      |   |
|-----|--------------------------------------|---|
| 247 | Sonic 540 Mach 2 Sensor w/bearing    | 1 |
| 248 | Sonic 540 Mach 2 Steel Bearing Set   | 1 |
| 249 | Sonic 540 Mach 2 Ceramic Bearing Set | 1 |
| 250 | Sonic 540 Mach 2 Insulator Set       | 1 |
| 604 | 526-S AC/DC 2S-6S LiPo/LiFe Charger  | 1 |
| 607 | Charge Harness 2S Standard Pack 4mm  | 1 |
| 609 | TAM to DEANS® charge adapter         | 1 |
| 610 | 447-S AC/DC NiMH Peak Charger        | 1 |
| 654 | 4.0mm plugs (2M, 2F)                 | 1 |
| 655 | 4.0mm plugs (2M, 10F)                | 1 |
| 656 | 4.0mm plugs (10F)                    | 1 |
| 657 | 4.0mm plugs (100F)                   | 1 |
| 658 | 4.0mm plugs (10M)                    | 1 |
| 659 | 4.0mm plugs (30M)                    | 1 |
| 660 | 3.5mm plugs (3M, 3F)                 | 1 |
| 661 | 3.5mm plugs (10F)                    | 1 |
| 662 | 3.5mm plugs (100F)                   | 1 |
| 663 | 3.5mm plugs (10M)                    | 1 |
| 664 | 3.5mm plugs (30M)                    | 1 |
| 716 | Reedy 09 Decal Set                   | 1 |
| 974 | 540-SL/550-SL Steel Bearing Set      | 1 |
| 975 | 540-SL/550-SL Ceramic Bearing Set    | 1 |
| 978 | Flat Sensor Wire 70mm                | 1 |
| 979 | Flat Sensor Wire 110mm               | 1 |
| 980 | Flat Sensor Wire 150mm               | 1 |
| 981 | Flat Sensor Wire 200mm               | 1 |
| 982 | Flat Sensor Wire 270mm               | 1 |
| 992 | Sonic 540 Rotor Spacers              | 1 |

**:: LRP Speed Controls**

|          |                      |   |
|----------|----------------------|---|
| LRP80230 | Spin Super Brushless | 1 |
| LRP80250 | Spin Pro Brushless   | 1 |
| LRP80960 | Flow Competition     | 1 |
| LRP80970 | Flow Works Team      | 1 |

**:: LRP Chargers, Power Supply, Balancer**

|          |                                   |   |
|----------|-----------------------------------|---|
| LRP41281 | Quadra Pro 2 Charger              | 1 |
| LRP41555 | Pulsar Touch Competition Charger  | 1 |
| LRP42103 | LiPo Balance Board XH             | 1 |
| LRP42104 | LiPo Balance Board FP/TP          | 1 |
| LRP42105 | LiPo Balance Board PQ             | 1 |
| LRP42305 | Pulsar Touch Temperature Sensor   | 1 |
| LRP42306 | Pulsar Touch Sensor Wire Splitter | 1 |
| LRP43200 | LRP Competition 20A Power Supply  | 1 |
| LRP45050 | LRP 2in1 LiPo Guard + BEC         | 1 |
| LRP45200 | LiPo Parallel Balancer            | 1 |
| LRP65800 | High Power Solder Station         | 1 |
| LRP65802 | Soldering Tip 5mm                 | 1 |
| LRP65803 | Soldering Tip 1.2mm               | 1 |
| LRP65804 | Soldering Handle                  | 1 |
| LRP81801 | LRP Speedo Updater Spec 2         | 1 |

**:: LRP Brushless Motors / Combos**

|          |                           |   |
|----------|---------------------------|---|
| LRP50430 | Vector K4 6.5 Turn        | 1 |
| LRP50440 | Vector K4 8.5 Turn        | 1 |
| LRP50450 | Vector K4 10.5 Turn       | 1 |
| LRP50460 | Vector K4 13.5 Turn       | 1 |
| LRP50480 | Vector K4 17.5 Turn       | 1 |
| LRP50643 | Vector X-20 10.5 Turn     | 1 |
| LRP50644 | Vector X-20 9.5 Turn      | 1 |
| LRP50654 | Vector X-20 8.5 Turn      | 1 |
| LRP50664 | Vector X-20 7.5 Turn      | 1 |
| LRP50674 | Vector X-20 6.5 Turn      | 1 |
| LRP50684 | Vector X-20 5.5 Turn      | 1 |
| LRP50689 | Vector X-20 5.0 Turn      | 1 |
| LRP50694 | Vector X-20 4.5 Turn      | 1 |
| LRP50704 | Vector X-20 4.0 Turn      | 1 |
| LRP80741 | Spin Super / K4 17.5 Turn | 1 |
| LRP80742 | Spin Super / K4 13.5 Turn | 1 |
| LRP80743 | Spin Super / K4 10.5 Turn | 1 |

**:: LRP Misc.**

|           |                                |   |
|-----------|--------------------------------|---|
| LRP62415  | LRP Logo Sticker Sheet         | 1 |
| LRP80135  | BEC Stabilizing Capacitor      | 1 |
| LRP82512  | SXX Low Profile Fan            | 1 |
| LRP82515  | 30mm Motor Fan/Clamp, Gunmetal | 1 |
| LRP82520  | Radical Cooling Set, Blue      | 1 |
| LRP82530  | SXX Power Cap 3.7-4.8V         | 1 |
| LRP82531  | SXX Power Cap 6.0-7.4V         | 1 |
| LRP819307 | 70mm High Flex Sensor Wire     | 1 |
| LRP819310 | 100mm High Flex Sensor Wire    | 1 |
| LRP819315 | 150mm High Flex Sensor Wire    | 1 |
| LRP819320 | 200mm High Flex Sensor Wire    | 1 |

**:: Qualifier Series Vehicles**

|       |  |   |
|-------|--|---|
| 7052  | Pro Lite 4x4 RTR, 1/10 Scale (ready-to-run)                | 1 |
| 20510 | RIVAL Electric Monster Truck RTR, 1/8 Scale (ready-to-run) | 1 |
| 30112 | APEX Touring V-Type, 1/10 Scale (ready-to-run)             | 1 |

**:: 1/18 Kits and RTR's**

|       |                                   |   |
|-------|-----------------------------------|---|
| 20103 | RC18B2 - RC18T2 Team Kit          | 1 |
| 20121 | SC18 RTR Brushless (ready-to-run) | 1 |

**:: 1/12, 1/10 Kits and RTR's**

|       |   |   |
|-------|---|---|
| 2042  | Nitro TC3 RTR Plus (ready-to-run)                 | 1 |
| 4020  | FT 12R5.2 Kit                                     | 1 |
| 7025  | RC10T4.2 FT Kit                                   | 1 |
| 7029  | SC10 Associated/RC10.com Truck RTR (ready-to-run) | 1 |
| 7030  | SC10 KMC Wheels Race Truck RTR (ready-to-run)     | 1 |
| 7038  | SC10.2 FT Kit                                     | 1 |
| 7039  | RC10T4.2 RS RTR 2.4GHz Brushless (ready-to-run)   | 1 |
| 7046  | SC10 RS RTR, Lucas Oil (ready-to-run)             | 1 |
| 7048  | SC10 RS RTR, Pro Comp (ready-to-run)              | 1 |
| 7049  | SC10 RS RTR, Rockstar/Makita (ready-to-run)       | 1 |
| 7050  | SC10 RS RTR, Hart and Huntington (ready-to-run)   | 1 |
| 7093  | SC10GT RTR (ready-to-run)                         | 1 |
| 8020  | FT RC10R5 Kit                                     | 1 |
| 8022  | FT RC10R5.1 Kit                                   | 1 |
| 9040  | FT RC10B4.1 Worlds Kit                            | 1 |
| 9041  | FT RC10B4.2 Kit                                   | 1 |
| 9042  | RC10B4.2 RS RTR 2.4GHz Brushless (ready-to-run)   | 1 |
| 9050  | SC10B RS RTR (ready-to-run)                       | 1 |
| 9062  | FT B44.2 4WD Buggy Kit                            | 1 |
| 30101 | TC4 Club Racer 4WD Touring Car Race Roller        | 1 |
| 30108 | FT TC6.1 WC 4WD Touring Car Kit                   | 1 |
| 90005 | SC10 4x4 Lucas Oil RTR (ready-to-run)             | 1 |
| 90006 | SC10 4x4 Pro Comp RTR (ready-to-run)              | 1 |
| 90007 | SC10 4x4 Rockstar/Makita RTR (ready-to-run)       | 1 |
| 90010 | SC10 4x4 FT Kit                                   | 1 |

## :: 1/8 Kits and RTR's

|       |   |   |
|-------|---|---|
| 20501 | MGT 4.60 SE RTR (ready-to-run)  | 1 |
| 20502 | MGT 8.0 Nitro RTR (ready-to-run)  | 1 |
| 20503 | Limited Edition MGT 4.60 Nitro RTR, w/flag body (ready-to-run)              | 1 |
| 20504 | Limited Edition MGT 8.0 Nitro RTR, w/flag body (ready-to-run)               | 1 |
| 80905 | RC8RS "Race Spec" Nitro Buggy RTR (ready-to-run)                            | 1 |
| 80906 | RC8.2 Nitro Buggy FT Kit  | 1 |
| 80907 | RC8.2e Electric Buggy FT Kit  | 1 |
| 80908 | RC8.2e Electric Buggy RTR (ready-to-run)                                    | 1 |
| 80912 | RC8T Championship Edition   | 1 |
| 80933 | SC8.2e Short Course Race Truck, Rockstar/Makita Electric RTR (ready-to-run) | 1 |
| 80934 | SC8.2e Short Course Race Truck, Slick Mist Electric RTR (ready-to-run)      | 1 |

## :: Tools

|      |  |    |
|------|--|----|
| 1111 | FT Turnbuckle Wrench   | 1  |
| 1113 | 12mm Big Bore Shock Tool   | 1  |
| 1449 | FT Off Road Ride Height Gauge  | 1  |
| 1541 | FT Hex Driver Set, (7 pcs)   | 1  |
| 1542 | FT .050" Silver Hex Driver   | 1  |
| 1543 | FT 1/16" Black Hex Driver  | 1  |
| 1544 | FT 1.5mm Purple Hex Driver   | 1  |
| 1545 | FT 5/64" Blue Hex Driver   | 1  |
| 1546 | FT 3/32" Gold Hex Driver   | 1  |
| 1547 | FT 2.5mm Green Hex Driver  | 1  |
| 1548 | FT 3mm Red Hex Driver  | 1  |
| 1551 | FT Screwdriver Set   | 1  |
| 1553 | FT Phillips Silver Screwdriver   | 1  |
| 1554 | FT Silver Spring Hook Tool   | 1  |
| 1561 | FT Nut Driver Set, (6 pcs)   | 1  |
| 1562 | FT 3/16" Black Nut Driver  | 1  |
| 1563 | FT 1/4" Red Nut Driver   | 1  |
| 1564 | FT 5.5mm Red Nut Driver  | 1  |
| 1565 | FT 11/32" Green Nut Driver   | 1  |
| 1567 | FT 8mm Gold Nut Driver   | 1  |
| 1589 | FT 5/64" Blue Ball Hex Driver  | 1  |
| 1590 | FT 3/32" Gold Ball Hex Driver  | 1  |
| 1592 | FT Ball Hex Driver Set, (3 pcs)  | 1  |
| 1655 | FT 8-Piece 1/4" Hex Drive Set  | 1  |
| 1656 | FT 1/4" Hex Drive Handle, without tips   | 1  |
| 1657 | FT 1/4" Hex Drive .050" Tip  | 1  |
| 1658 | FT 1/4" Hex Drive 1/16" Tip  | 1  |
| 1659 | FT 1/4" Hex Drive 5/64" - 2.0mm Tip  | 1  |
| 1660 | FT 1/4" Hex Drive 3/32" Tip  | 1  |
| 1661 | FT 1/4" Hex Drive 1.5mm Tip  | 1  |
| 1662 | FT 1/4" Hex Drive 2.5mm Tip  | 1  |
| 1663 | FT 1/4" Hex Drive 3/16" Nut Driver Tip   | 1  |
| 1664 | FT 1/4" Hex Drive 1/4" Nut Driver Tip  | 1  |
| 1665 | FT 1/4" Hex Drive 11/32" Nut Driver Tip  | 1  |
| 1666 | FT 1/4" Hex Drive 5.5mm Nut Driver Tip   | 1  |
| 1667 | FT 1/4" Hex Drive 7.0mm Nut Driver Tip   | 1  |
| 1668 | FT 1/4" Hex Drive 8.0mm Nut Driver Tip   | 1  |
| 1669 | FT 1/4" Hex Drive 5/64" - 2.0mm Ball End Tip   | 1  |
| 1670 | FT 1/4" Hex Drive 3/32" Ball End Tip   | 1  |
| 1671 | FT 1/4" Hex Drive Standard Screwdriver Tip   | 1  |
| 1672 | FT 1/4" Hex Drive Phillips Screwdriver Tip   | 1  |
| 1673 | FT 1/4" Hex Drive 2.5mm Ball End Tip   | 1  |
| 1674 | FT 1/4" 5 Piece Power Tool Tips Set (5/64"-2.0mm, 1.5mm, 2.5mm, 5/64"- 2.0mm ball, 2.5mm ball) | 1  |
| 1719 | FT Camber + Track Width Tool   | 1  |
| 1737 | FT Body Scissors   | 1  |
| 3718 | 12 Inch Nylon Wire Ties  | 12 |
| 3719 | 6 Inch Nylon Wire Ties   | 12 |
| 3720 | 8 Inch Nylon Wire Ties   | 12 |
| 3987 | FT Droop Gauge   | 1  |
| 6429 | Shock Building Tool  | 1  |
| 6956 | Molded Tools, Set  | 1  |
| 7494 | V2 Stamped Multi-tool  | 1  |
| 7709 | 4 Inch Nylon Wire Ties   | 12 |

## :: RePlay Cameras

|       |  |   |
|-------|--|---|
| RP001 | Replay XD1080 Complete Camera System           | 1 |
| RP002 | Replay XD720 Complete Camera System            | 1 |
| RP021 | Replay XD1080 Lens Bezel Kit                   | 1 |
| RP022 | Replay XD1080 Clear Lens Cover                 | 1 |
| RP023 | Replay XD1080 Lens Bezel & Rear Cap O-Ring     | 1 |
| RP029 | Replay XD1080 HDMI to Mini-HDMI                | 1 |
| RP030 | Replay XD1080 Mini 8-pin USB Charge Data Cable | 1 |
| RP032 | USB DC Car Charger 1A Stubby                   | 1 |
| RP033 | USB DC Car Charger 500mAh                      | 1 |
| RP034 | Micro SDHC USB Reader                          | 1 |
| RP036 | 3M VHB 4991 Mount Adhesive for SnapTray        | 1 |
| RP037 | 3M VHB 5962 Mount Adhesive for Pro Flat Mount  | 1 |
| RP038 | 3M VHB 5962 Mount Adhesive for SnapTray        | 1 |
| RP041 | Replay XD Suction Cup Arm Mini Clamp           | 1 |
| RP042 | Replay XD Suction Cup Short Arm Base           | 1 |
| RP043 | Replay XD Skateboard Mount                     | 1 |
| RP044 | Replay XD VHB SnapTray, Convex                 | 1 |
| RP045 | Replay XD VHB SnapTray, Flat                   | 1 |
| RP046 | Au Plug for Universal DC Wall Charger          | 1 |
| RP047 | Eu Plug for Universal DC Wall Charger          | 1 |
| RP048 | Uk Plug for Universal DC Wall Charger          | 1 |
| RP049 | Universal USB DC Wall Charger 1A               | 1 |
| RP054 | Replay ReView Field Monitor                    | 1 |

## :: Apparel

|         |  |     |
|---------|--|-----|
| SP35**  | Reedy 09' White T-Shirt (L, XL, 2XL)                                 | 1   |
| SP36**  | Reedy 09' Black T-Shirt (M, L, XL, 2XL, 3XL)                         | 1   |
| SP37**  | Reedy 2012 T-shirt - Black (S, M, L, XL, 2XL, 3XL)                   | 1   |
| SP38    | Reedy Trucker Hat  | 1   |
| SP39    | Reedy Patch  | 1   |
| SP66**  | Stencil Blue T-Shirt (S, M, L, XL, 2-6XL)                            | 1   |
| SP67**  | AE Stencil Gray Sweatshirt (S, M, L, XL, 2XL, 3XL)                   | 1   |
| SP68**  | AE Stencil Blue T-Shirt (M, L, XL)                                   | 1   |
| SP69**  | AE 26 Time World Championship T-Shirt, Black (S, M, L, XL, 2XL, 3XL) | 1   |
| SP70**  | Associated Windbreaker (S, M, L, XL, 3XL)                            | 1   |
| SP71**  | Associated Winter Jacket (S, M, L, XL, 2XL)                          | 1   |
| SP73**  | AE Long Sleeve T-Shirt (S, M, L, XL, 2XL)                            | 1   |
| SP74**  | AE White T-Shirt (S, M, L, XL, 2XL, 3XL, 4XL)                        | 1   |
| SP75**  | AE Blue T-Shirt (S, M, L, XL, 2-6XL)                                 | 1   |
| SP76**  | AE Black T-Shirt (S, M, L, XL, 2XL, 3XL, 4XL)                        | 1   |
| SP77**  | AE 2012 T-Shirt, Blue (S, M, L, XL, 2XL, 3XL)                        | 1   |
| SP78**  | AE 2012 T-Shirt, White (S, M, L, XL, 2XL, 3XL)                       | 1   |
| SP79**  | AE 2012 T-Shirt, Black (S, M, L, XL, 2XL, 3XL)                       | 1   |
| SP84**  | Reedy 3D T-Shirt, Black (S, M, L, XL, 2XL, 3XL)                      | 1   |
| SP85**  | Reedy Zip Hoodie, Black (S, M, L, XL, 2XL, 3XL)                      | 1   |
| SP86**  | Reedy Girl's 3D T-Shirt, Black (S, M, L, XL)                         | 1   |
| SP87**  | AE 2013 Zip Hoodie (S, M, L, XL, 2XL, 3XL)                           | 1   |
| SP102   | Outer & Inner Boxes, for #SP-416                                     | 1   |
| SP103   | Inner Boxes only, for #SP416   | 1   |
| SP411S  | AE Hat 11' Flat Bill Black S/M                                       | 1   |
| SP411L  | AE Hat 11' Flat Bill Black L/XL                                      | 1   |
| SP413S  | 26 Time World Championship Hat S/M                                   | 1   |
| SP413L  | 26 Time World Championship Hat L/XL                                  | 1   |
| SP416   | Associated Car Carrier Bag, Medium                                   | 1   |
| SP417   | 1/10 FT Motor Bag  | 1   |
| SP418   | Factory Team 1/10 Car Carrier Bag                                    | 1   |
| SP420** | AE Pit Gloves (M, L, XL)   | Pr. |
| SP421S  | AE 2012 Hat, Black, Flat Bill, S/M                                   | 1   |
| SP421L  | AE 2012 Hat, Black, Flat Bill, L/XL                                  | 1   |
| SP422S  | AE 2012 Hat, Black, Curved Bill, S/M                                 | 1   |
| SP422L  | AE 2012 Hat, Black, Curved Bill, L/XL                                | 1   |
| SP423S  | AE 2012 Hat, White, Flat Bill, S/M                                   | 1   |
| SP423L  | AE 2012 Hat, White, Flat Bill, L/XL                                  | 1   |
| SP424S  | AE 2012 Hat, White, Curved Bill, S/M                                 | 1   |
| SP424L  | AE 2012 Hat, White, Curved Bill, L/XL                                | 1   |
| 715     | Reedy 2009 Track Banner  | 1   |
| 110684  | Team Associated Track Banner   | 1   |

### Front Suspension

**Camber:** \_\_\_\_\_ *-1*

**Toe:** \_\_\_\_\_ *0*

**Washers:** \_\_\_\_\_ *2mm*

**Ride Height:** \_\_\_\_\_ *24mm*

### Rear Suspension

**Camber:** \_\_\_\_\_ *-1*

**Inner Toe:** \_\_\_\_\_ *3°*

**Anti-Squat:** \_\_\_\_\_ *2°*

**Washers:** \_\_\_\_\_ *1mm*

**Chassis Brace Ground Flat:**

**Ride Height:** \_\_\_\_\_ *24mm*

**Wheelbase:**  
 Long   
 Medium   
 Short

### Steering Rack:

**Front Back**

**Caster Block Spacing:**  
 Forward   
 Back

**Washers:** \_\_\_\_\_ *2mm*

**Caster:**  
 20°   
 25°   
 30°

**Rear Hub Carriers:**  
 0°   
 0.5°   
 1°   
 1.5°

**Aluminum Hub Tower:**  
 A   
 B   
 C

**Anti Roll Bar:**  
 None   
 Black (soft)   
 Silver (med)   
 Gold (hard)

### Front Shocks

**Spring:** *Brown* **Piston:** *#1*

**Shock Oil:** *30wt* **Limiter:** *0*

### Rear Shocks

**Spring:** *Black* **Piston:** *#1*

**Shock Oil:** *30wt* **Limiter:** *2*

### Electronics / Weight

**Motor & Wind:** \_\_\_\_\_

**Pinion:** *21T* **Spur Gear:** *81T*

**Batteries:** \_\_\_\_\_

**Battery Placement:** \_\_\_\_\_

**Ballast Weight:** \_\_\_\_\_

**Chassis Weight:** \_\_\_\_\_

**Radio:** \_\_\_\_\_

**Throttle / Brake e.p.a:** \_\_\_\_\_

**Throttle / Brake expo:** \_\_\_\_\_

**Servo:** \_\_\_\_\_ **Steering Expo:** \_\_\_\_\_

**ESC:** \_\_\_\_\_

**ESC Settings:** \_\_\_\_\_

### Front Tires

**Tire:** *Stock*

**Compound:** *Stock*

**Insert:** *Stock* **Wheel:** *Stock*

### Rear Tires

**Tire:** \_\_\_\_\_

**Compound:** \_\_\_\_\_

**Insert:** \_\_\_\_\_ **Wheel:** *Stock*

### Drivetrain

**Slipper:** *Stock*

**2 Pads**  **3 Pads**  **4 Pads**

**Notes:** \_\_\_\_\_

### Differentials

**Ball:**

**Gear:**

**Notes:** \_\_\_\_\_

### Other

**Body Type:** \_\_\_\_\_ *Stock*

**Wing Type:** \_\_\_\_\_ *Stock* **Wing Angle:** \_\_\_\_\_

### Race and Vehicle Comments

**Qualify:** \_\_\_\_\_ **Main:** \_\_\_\_\_ **Finish:** \_\_\_\_\_ **TQ:** \_\_\_\_\_

**Comments:** \_\_\_\_\_

\_\_\_\_\_

\_\_\_\_\_

**Surface:**  
 Dirt   
 Carpet   
 Astro   
 Multi















**Traction:**  
 Low   
 Med   
 High

**Conditions:**  
 Grooved   
 Dusty   
 Smooth   
 Bumpy   
 Hard Pack   
 Loamy

**Moisture:**  
 Wet   
 Damp   
 Dry

**:: Hardware - 1:1 Scale View**





**Cap Head (shcs)**

-  **2-56x 3/16 (9898)**
-  **4-40x1/4 (6285)**
-  **4-40x5/16" (6932)**  
**(4145, aluminum)**
-  **4-40x3/8 (6924)**  
**w/hole (6929)**
-  **4-40x1/2 (6925)**
-  **4-40x5/8 (6926)**
-  **4-40x3/4 (6927)**
-  **4-40x7/8 (7738)**
-  **4-40x1 (6928)**
-  **4-40x1 1/4 (6913)**
-  **4-40x1 3/4 (9833)**
-  **5-40x7/16 (9643)**
-  **5-40x9/16 (9644)**
-  **5-40x7/3/4 (9835)**







**Ballstuds**

-  **Black .20 Short (3981)**
-  **Black .30 Short (3983)**
-  **Silver .20 Short (6276)**
-  **Silver .30 Long (6277)**
-  **Silver .40 (6278)**





**Flat Head (fhcs)**

-  **4-40x3/8 (6292)**
-  **4-40x1/2 (6922)**
-  **4-40x5/8 (6915)**
-  **5-40x1/2 (9269)**









**Shims and Washers**

-  **.030 Ballstud Washer (9630)**
-  **.030 Nylon Spacer (4187)**
-  **Servo Mount Washer (7337)**
-  **#4 Washer (6936)**
-  **3/16 Axle Shim - Silver (7368)**
-  **FT Ballstud Washer, Aluminum**  
**(1mm and 2mm, 4 each) (31286)**






**Ball Bearings**

-  **Steering Rack Bearing**  
**(3971)**
-  **3/16x3/8 (3977)**
-  **3/16x1/2 RS (7935)**
-  **10 x 16mm (9832)**


**Button Head (bhcs)**

-  **2-56x1/8 (9645)**
-  **2-56x5/16 (4334)**
-  **4-40x5/16 (6919)**
-  **4-40x3/8 (6917)**
-  **4-40x7/16 (2221)**
-  **4-40x3/4 (7413)**
-  **4-40x7/8 (91311)**
-  **3x8mm (31532)**

**Nuts (lock/plain)**

-  **4-40 Aluminum Locknut (4449)**
-  **4-40 Plastic Nut (6472)**
-  **5-40 Diff Locknut (6629)**
-  **8-32 LP Steel Locknut (6953)**
-  **8-32 Steel Locknut (6952)**

**Clips**

-  **E-clip 1/8 (6299)**

**Diff Balls**

-  **5/64 Diff Thrust Balls (6574)**
-  **3/32 Carbide Diff Balls (6581)**

**Notes:**



### Front Suspension

**Camber:** \_\_\_\_\_

**Toe:** \_\_\_\_\_

**Washers:** \_\_\_\_\_

**Ride Height:** \_\_\_\_\_

### Rear Suspension

**Camber:** \_\_\_\_\_

**Inner Toe:** \_\_\_\_\_

**Anti-Squat:** \_\_\_\_\_

**Washers:** \_\_\_\_\_

**Chassis Brace Ground Flat:**

**Ride Height:** \_\_\_\_\_

**Wheelbase:**  
 Long   
 Medium   
 Short

### Steering Rack:

**Front Back**

**Caster Block Spacing:**  
 Forward   
 Back

**Washers:** \_\_\_\_\_

**Caster:**  
 20°   
 25°   
 30°

**Rear Hub Carriers:**  
 0°   
 0.5°   
 1°   
 1.5°

**Aluminum Hub Tower:**  
 A   
 B   
 C

**Anti Roll Bar:**  
 None   
 Black (soft)   
 Silver (med)   
 Gold (hard)

### Front Shocks

**Spring:** \_\_\_\_\_ **Piston:** \_\_\_\_\_

**Shock Oil:** \_\_\_\_\_ **Limiters:** \_\_\_\_\_

### Rear Shocks

**Spring:** \_\_\_\_\_ **Piston:** \_\_\_\_\_

**Shock Oil:** \_\_\_\_\_ **Limiters:** \_\_\_\_\_

### Electronics / Weight

**Motor & Wind:** \_\_\_\_\_

**Pinion:** \_\_\_\_\_ **Spur Gear:** \_\_\_\_\_

**Batteries:** \_\_\_\_\_

**Battery Placement:** \_\_\_\_\_

**Ballast Weight:** \_\_\_\_\_

**Chassis Weight:** \_\_\_\_\_

**Radio:** \_\_\_\_\_

**Throttle / Brake e.p.a.:** \_\_\_\_\_

**Throttle / Brake expo:** \_\_\_\_\_

**Servo:** \_\_\_\_\_ **Steering Expo:** \_\_\_\_\_

**ESC:** \_\_\_\_\_

**ESC Settings:** \_\_\_\_\_

### Front Tires

**Tire:** \_\_\_\_\_

**Compound:** \_\_\_\_\_

**Insert:** \_\_\_\_\_ **Wheel:** \_\_\_\_\_

### Rear Tires

**Tire:** \_\_\_\_\_

**Compound:** \_\_\_\_\_

**Insert:** \_\_\_\_\_ **Wheel:** \_\_\_\_\_

### Drivetrain

**Slipper:** \_\_\_\_\_

**2 Pads**  **3 Pads**  **4 Pads**

**Notes:** \_\_\_\_\_

### Differentials

**Ball:**

**Gear:**

**Notes:** \_\_\_\_\_

### Other

**Body Type:** \_\_\_\_\_

**Wing Type:** \_\_\_\_\_ **Wing Angle:** \_\_\_\_\_

**Track Info**

### Race and Vehicle Comments

**Qualify:** \_\_\_\_\_ **Main:** \_\_\_\_\_ **Finish:** \_\_\_\_\_ **TQ:** \_\_\_\_\_

**Comments:** \_\_\_\_\_

\_\_\_\_\_

\_\_\_\_\_

|                                 |                               |                                    |                               |
|---------------------------------|-------------------------------|------------------------------------|-------------------------------|
| <b>Surface:</b>                 | <b>Traction:</b>              | <b>Conditions:</b>                 | <b>Moisture:</b>              |
| Dirt <input type="checkbox"/>   | Low <input type="checkbox"/>  | Grooved <input type="checkbox"/>   | Wet <input type="checkbox"/>  |
| Carpet <input type="checkbox"/> | Med <input type="checkbox"/>  | Dusty <input type="checkbox"/>     | Damp <input type="checkbox"/> |
| Astro <input type="checkbox"/>  | High <input type="checkbox"/> | Smooth <input type="checkbox"/>    | Dry <input type="checkbox"/>  |
| Multi <input type="checkbox"/>  |                               | Bumpy <input type="checkbox"/>     |                               |
|                                 |                               | Hard Pack <input type="checkbox"/> |                               |
|                                 |                               | Loamy <input type="checkbox"/>     |                               |



**Associated Electrics, Inc.  
26021 Commercentre Dr.  
Lake Forest, CA 92630 USA**

**<http://www.TeamAssociated.com>**

**<https://www.RC10.com>**

**[https://twitter/Team\\_Associated](https://twitter/Team_Associated)**

**<https://bit.ly/AEonFacebook>**

**call: (949) 544-7500 - fax: (949) 544-7501**

**Check out the following web sites for all of our kits,  
current products, new releases, setup help, tips, and racing info!  
[www.TeamAssociated.com](http://www.TeamAssociated.com) - [www.RC10.com](http://www.RC10.com)**