

RC18

LATE MODEL

Ready-To-Run

Part #20180



1:18 Scale Ready-To-Run 4WD Electric Late Model Race Car Manual / Catalog

12/09

TEAM ASSOCIATED



Designed in California, USA

:: Introduction

Thank you for purchasing this Team Associated product. This manual contains instructions and tips for building and maintaining your new RC18LM. Please take a moment to read through it and familiarize yourself with these steps. We are continually changing and improving our designs; therefore, actual parts may appear slightly different than the illustrations. New parts will be noted on supplementary sheets located in the appropriate parts bags. Check each bag for these sheets before you start to build.

:: RC18LM Features

- Realistic dirt late model body made with 0.8mm (0.03") polycarbonate
- Chrome late model style wheels with aggressive checkerboard tread scale tires
- Front & Rear Bumpers for maximum durability
- 2.0:1 ratio gearbox equipped with durable gear differential
- Molded composite chassis with sealed drive train
- 2-belt drive system for ultimate durability capable of handling all brushless/lipo combos
- Dual bell crank steering for improved steering feel
- Hinged battery strap for quick battery changes
- Durable front and rear body mounts with adjustable height
- Complete set of 15 precision steel ball bearings
- Durable fixed length composite turnbuckles
- Improved servo saver for better straight line tracking
- Vertical ball end adjustment front and rear for easy roll center adjustments
- Composite shock bodies with molded pre-load clips for easy ride height adjustments
- Dog bone front and rear axles

:: Additional

:: RC18LM RTR

Your new RC18LM RTR comes factory assembled including radio gear, motor, ESC, and battery. However, you will need to purchase 8 AA batteries Alkaline or Nimh rechargeable (AE Part # 302, 303) for your transmitter. Please see the Quick Start Guide for installing your AA batteries.


Tools included:

- 4-way wrench
- hex wrenches: (1.5mm, 5/32" [2mm])

**There is a 1:1 fold out
in the back of the manual.
Fold it out while building your
kit for easy hardware sizing!**

:: Optional

Optional parts and gear to accessorize and maintain your RC18LM:

- | | | |
|---|--|--|
| <ul style="list-style-type: none"> • Green Slime shock lube (AE Part# 1105) • Cyanoacrylate glue • Thread Locking Compound (AE Part# 1596) • Silicone Shock Fluid (Refer to catalog for complete listings) • Body Scissors (AE Part# 1737) • Reamer / Hole Punch • FT Hex Wrenches (AE Part# 1541) • FT Screwdriver Set (AE Part# 1551) • FT Nut Driver Set (AE Part# 1561) • Hobby Knife | <ul style="list-style-type: none"> • Needle Nose Pliers • Wire Cutters • Soldering Iron • Calipers or a Precision Ruler • RC18LM, SC18 CVD kit (AE Part# 21380) • FT Ball Differential Kit (AE Part# 21381, 21408) • FT Anti-Roll Bar Kit (AE Part# 21386) • FT Graphite Chassis Conversion Kit (AE Part# 21402) • Titanium Turnbuckle Set w/Ball Cups (AE Part# 21403) • FT Slipper Shaft Assembly (AE Part# 21405) | <p>* </p> <p>* These Symbols Indicate a special note or instructions.</p> |
|---|--|--|

Associated Electrics, Inc.
26021 Commercentre Dr.
Lake Forest, CA 92630

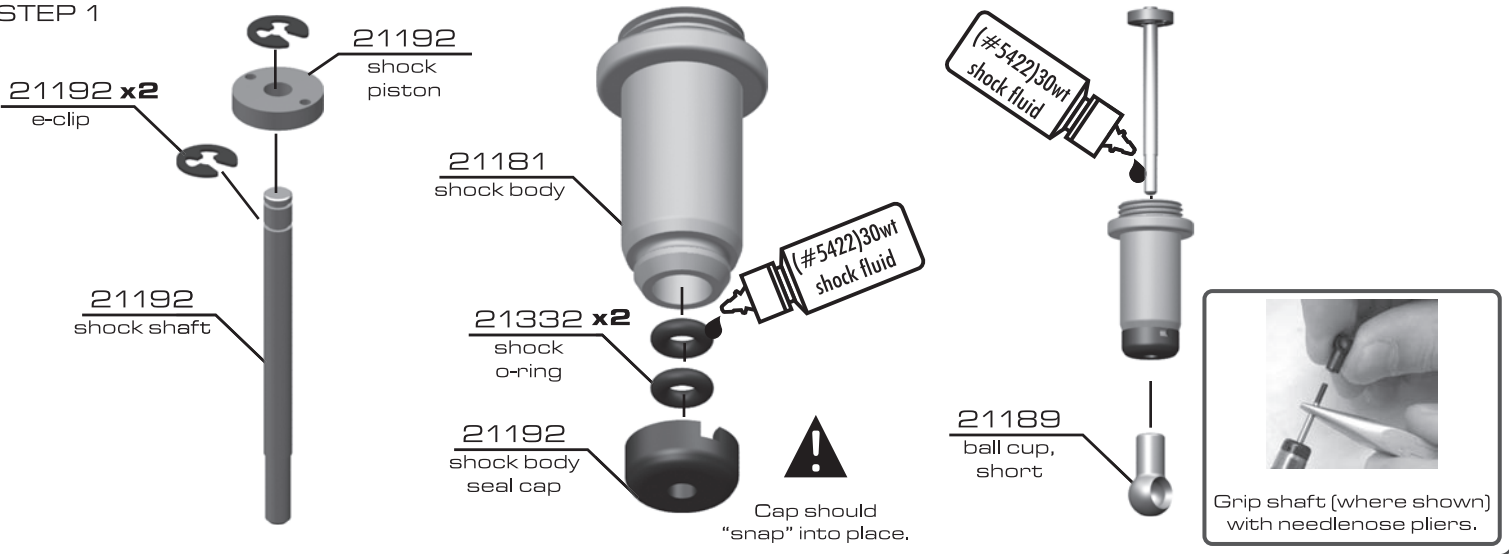


Customer Service
Tel: 949.544.7500
Fax: 949.544.7501

<http://www.TeamAssociated.com> • <http://www.RC10.com> • http://twitter.com/Team_Associated • <http://bit.ly/AEonFacebook>

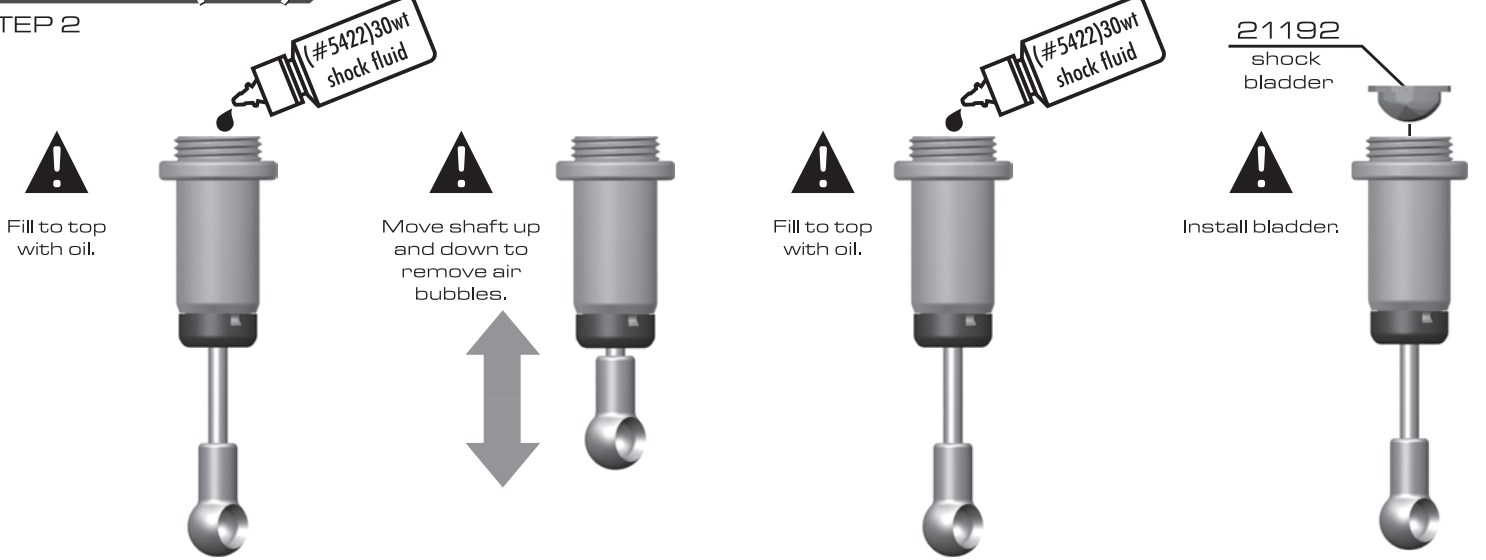
:: Shock Build

STEP 1



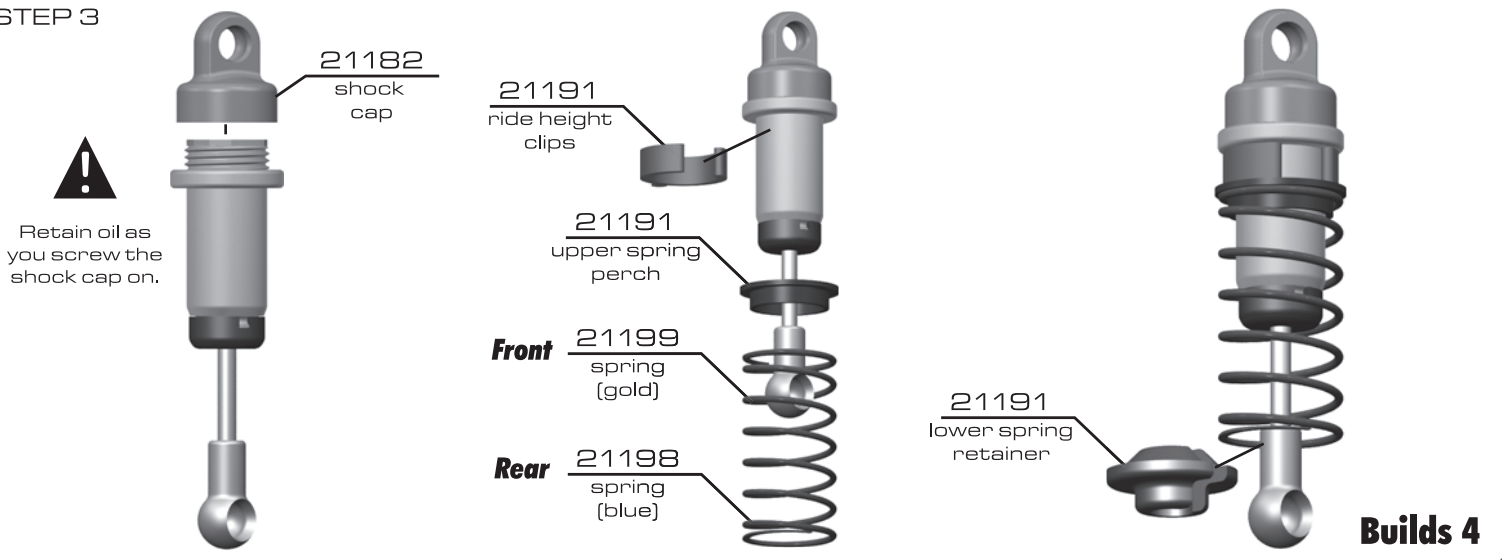
:: Shock Build (cont.)

STEP 2



:: Shock Build (cont.)

STEP 3



:: Differential Build

STEP 1

21319
gear diff
(sun)

21318
gear diff
case

21141
diff shim

21106
bearing
(8x12x3.5)

21317
gear diff
outdrive

! Outdrive should "snap" into sun gear.

front

21319
gear diff
(sun)

21135 x4
M2x12mm
fhps

21141
diff shim

21106
bearing
(8x12x3.5)

black grease #6588

21318
gear diff
case, front
(narrow)

! Outdrive should "snap" into sun gear.

21317
gear diff
outdrive

rear

21319
gear diff
(sun)

21135 x4
M2x12mm
fhps

21141
diff shim

21106
bearing
(8x12x3.5)

21317
gear diff
outdrive

21407
gear diff
case, rear
(wide)

black grease #6588

:: Differential Build (cont.)

STEP 2

21319 x4
gear diff
(planet)

! * Align slots in cross pins.

21319 x2
gear diff
cross pin

black grease #6588

front

rear

Builds Front and Rear Diffs

:: Gearbox Install

STEP 1

front

21130
M2x3mm
bhps

21314
belt tensioner

21337
bearing
(3x6x2.5)

21312
front
gearbox

21314
belt
tensioner
nut

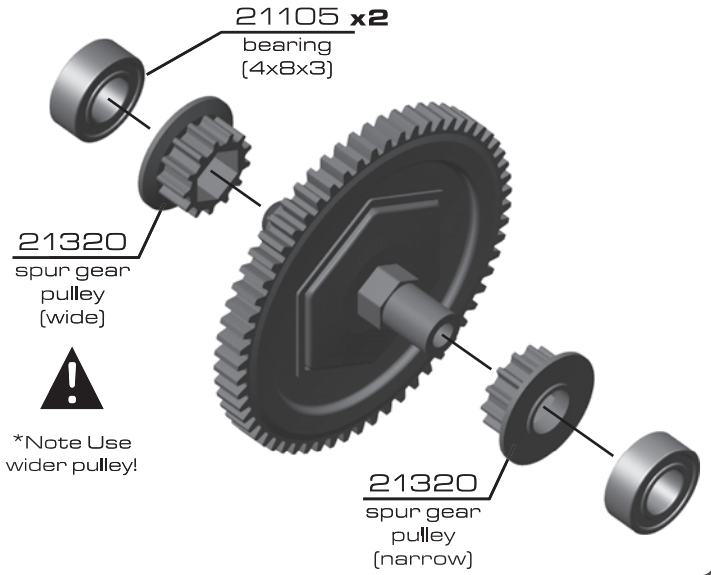
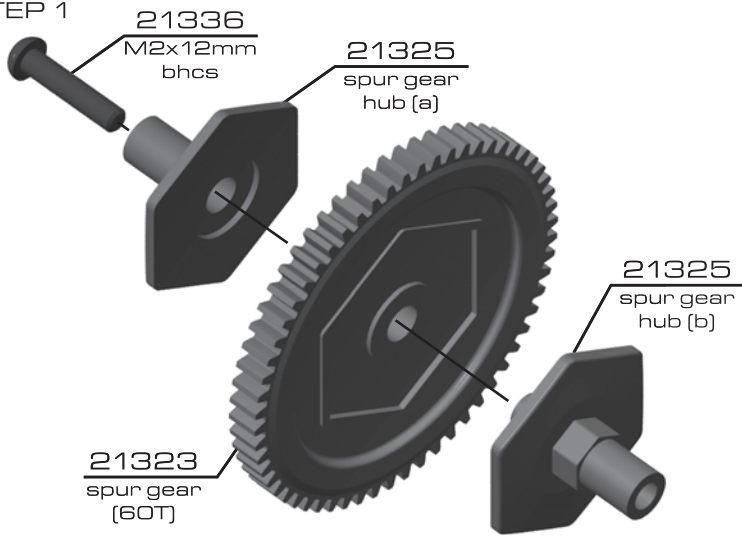
21334
M2x6mm
fhps

! * Front Belt Tension Adjustment.

Tighten
Loosen

:: Spur Gear Build

STEP 1



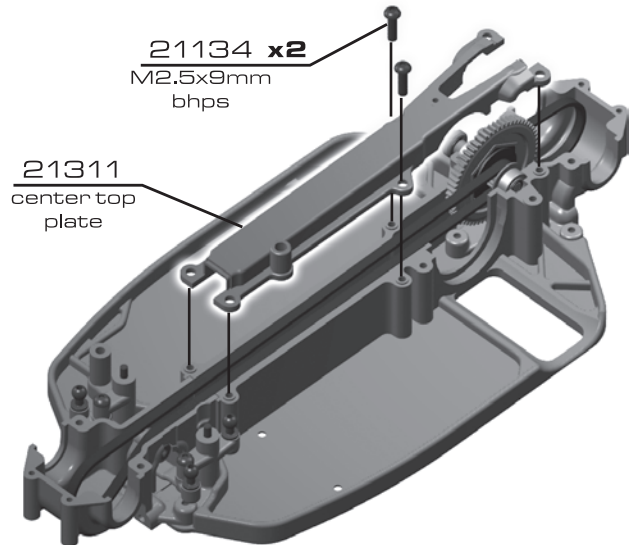
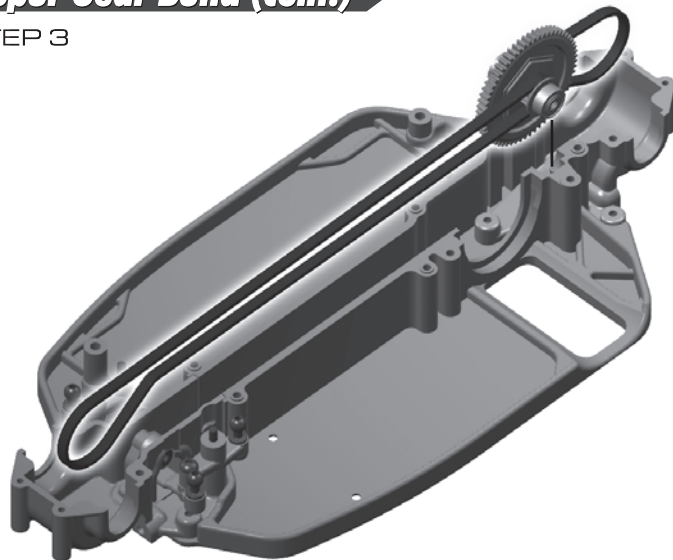
:: Spur Gear Build (cont.)

STEP 2



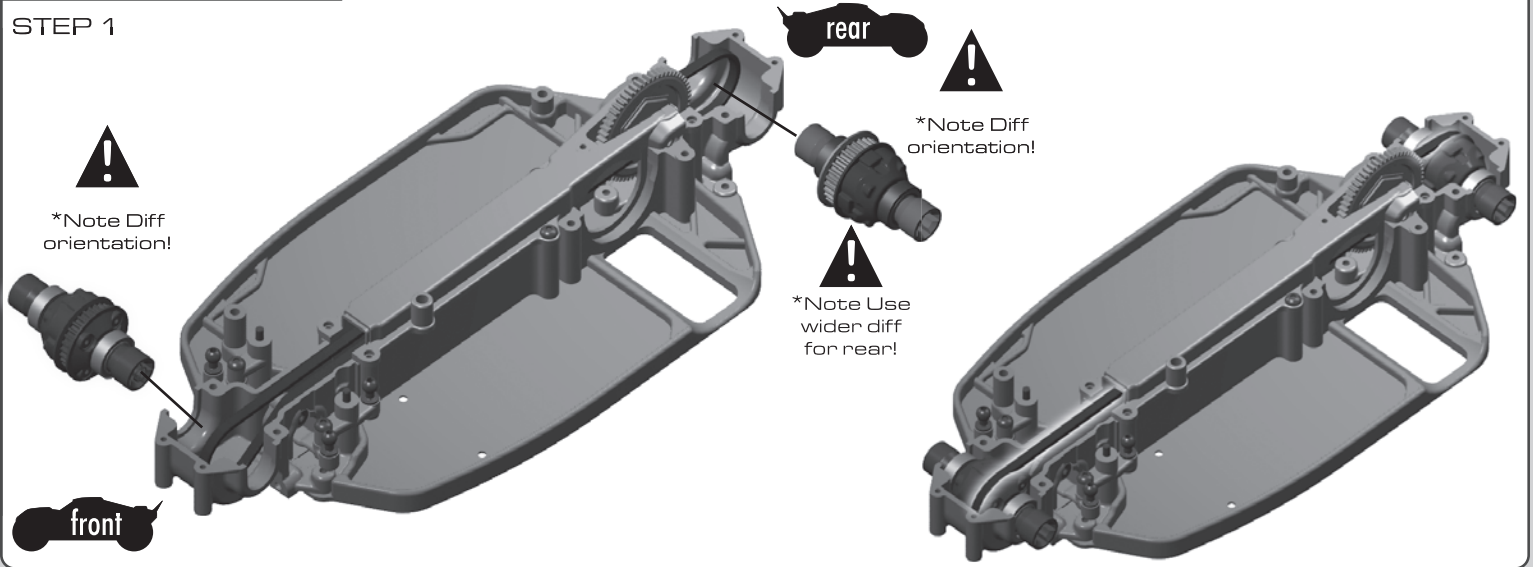
:: Spur Gear Build (cont.)

STEP 3



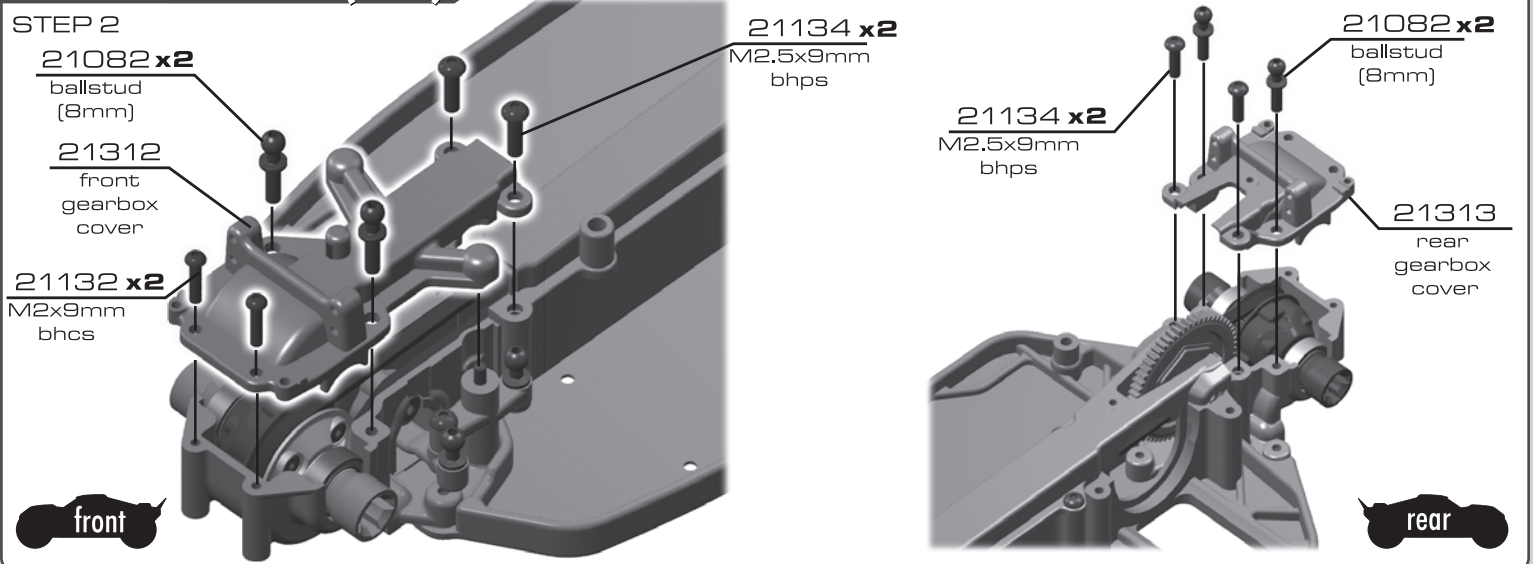
:: Differential Install

STEP 1



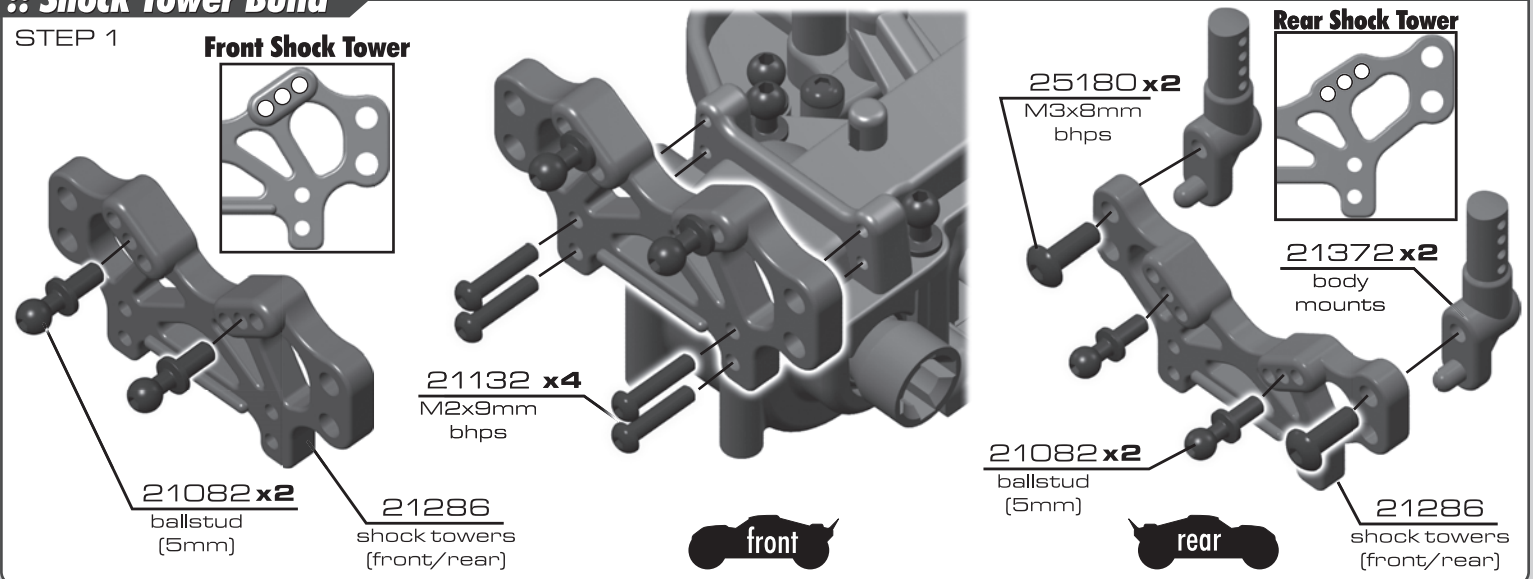
:: Differential Install (cont.)

STEP 2



:: Shock Tower Build

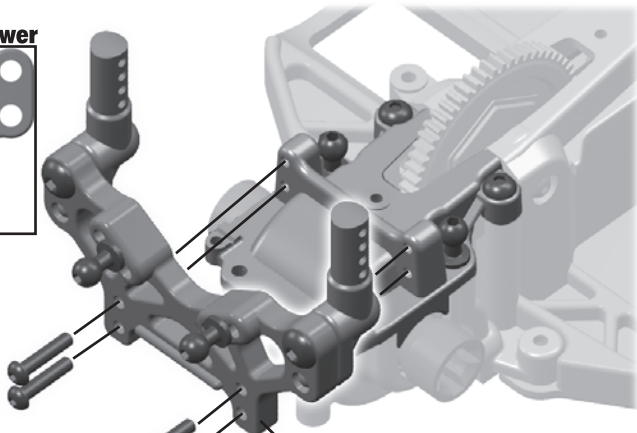
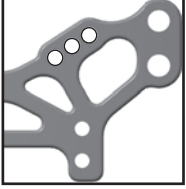
STEP 1



:: Shock Tower Build (cont.)

STEP 2

Rear Shock Tower



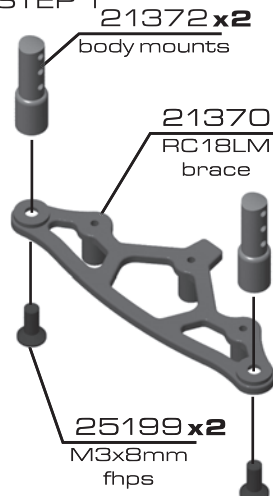
21132 x4
M2x9mm
bhps

21286
shock tower
(rear)



:: Bumpers

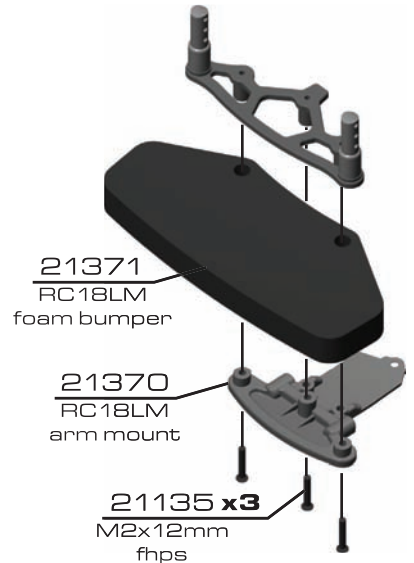
STEP 1



21372 x2
body mounts

21370
RC18LM
brace

25199 x2
M3x8mm
fhps



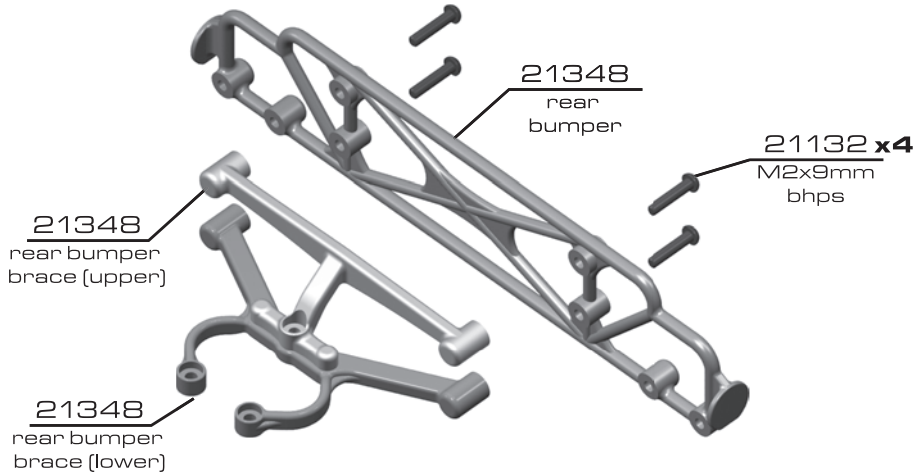
21371
RC18LM
foam bumper

21370
RC18LM
arm mount

21135 x3
M2x12mm
fhps

:: Bumpers (cont.)

STEP 2

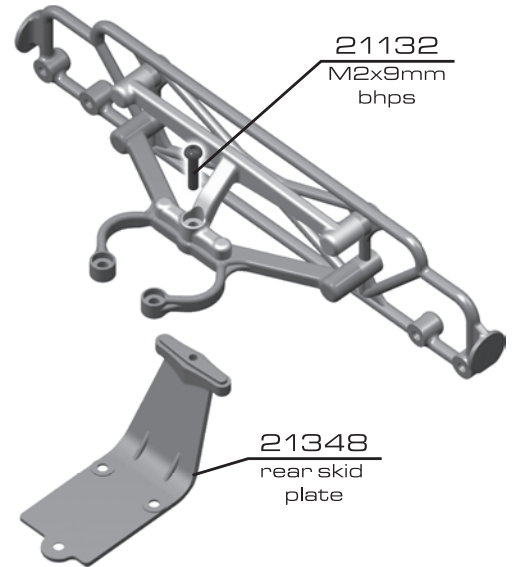


21348
rear
bumper

21348
rear bumper
brace (upper)

21348
rear bumper
brace (lower)

21132 x4
M2x9mm
bhps

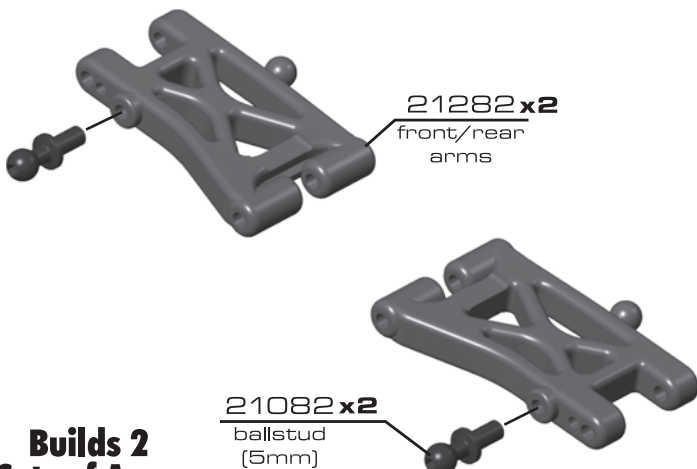


21132
M2x9mm
bhps

21348
rear skid
plate

:: Suspension Arms Install

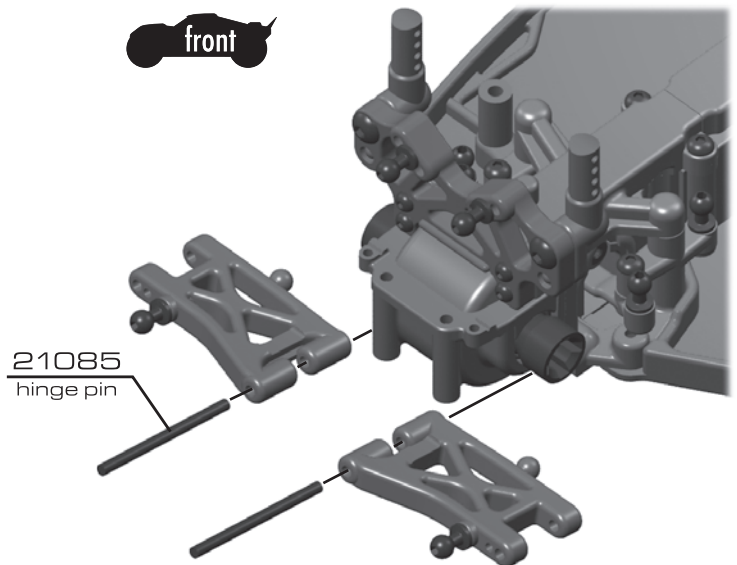
STEP 1



21282 x2
front/rear
arms

21082 x2
ballstud
(5mm)

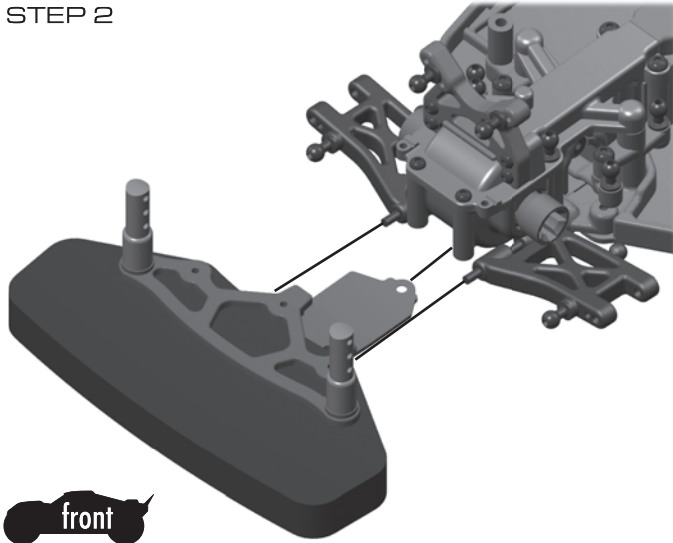
**Builds 2
Sets of Arms**



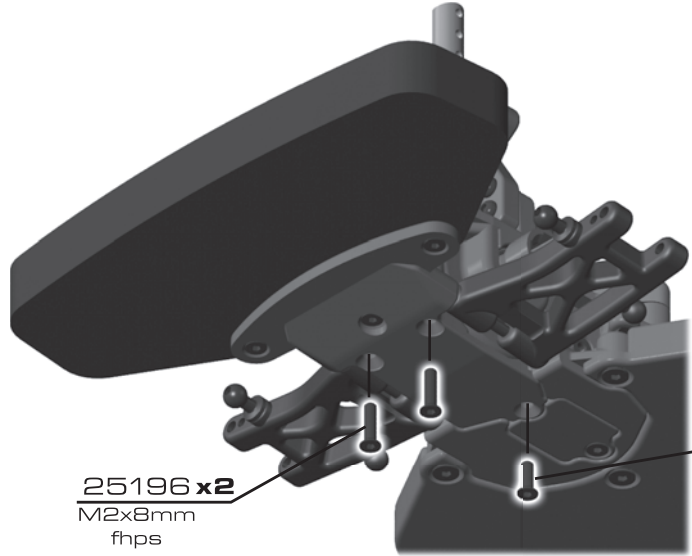
21085
hinge pin

:: Suspension Arms Install (cont.)

STEP 2



front

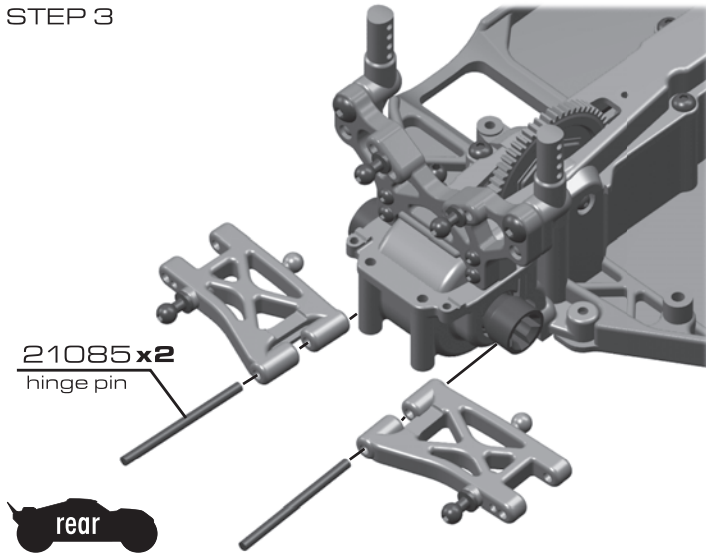


25196 x2
M2x8mm
fhps

21334
M2x6mm
fhps

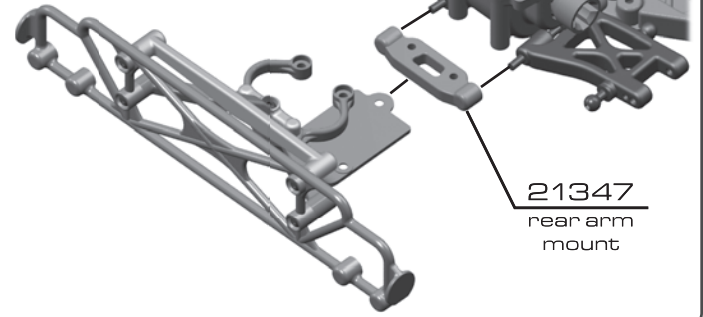
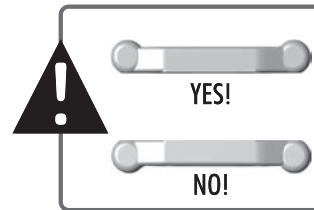
:: Suspension Arms Install (cont.)

STEP 3



rear

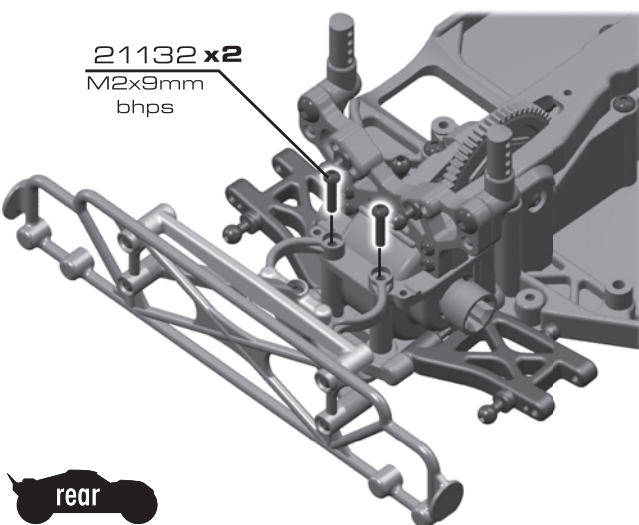
21085 x2
hinge pin



21347
rear arm
mount

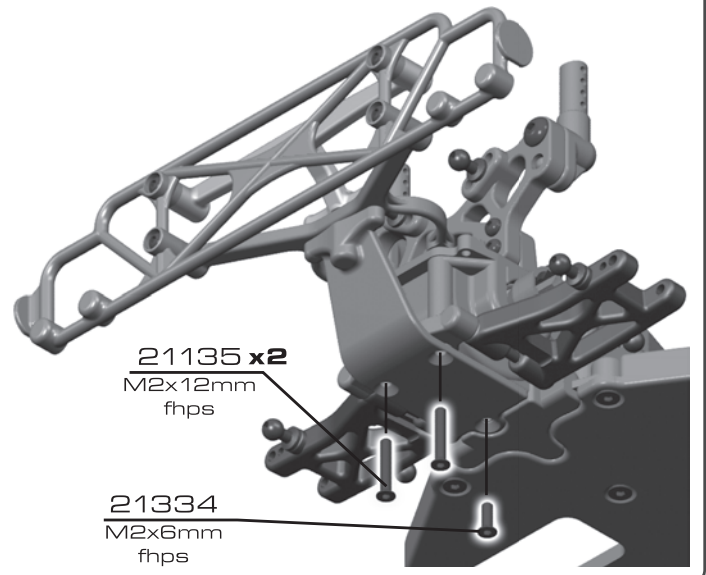
:: Shock Tower Build

STEP 4



rear

21132 x2
M2x9mm
bhps

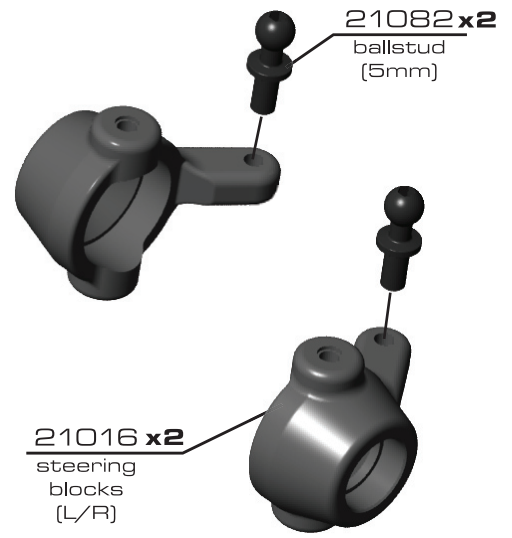
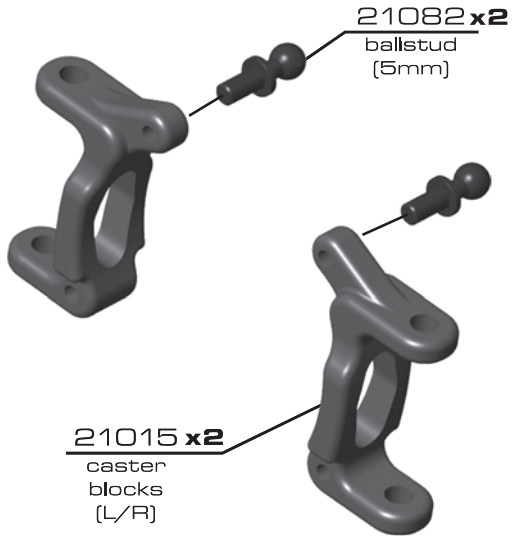


21135 x2
M2x12mm
fhps

21334
M2x6mm
fhps

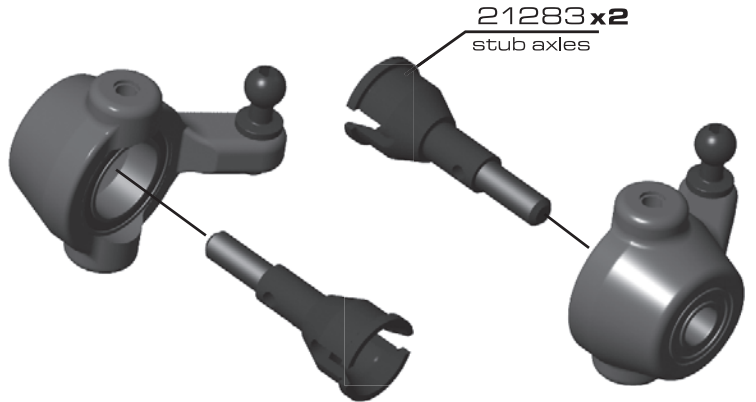
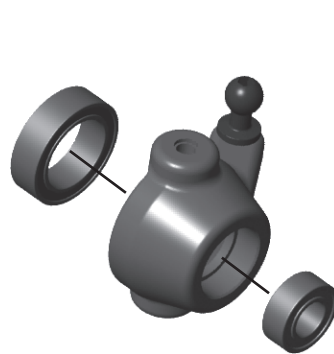
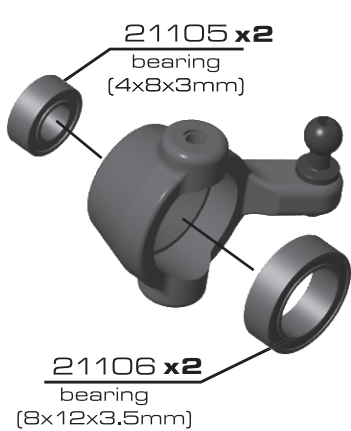
:: Caster Blocks Build

STEP 1



:: Caster Blocks Build (cont.)

STEP 2

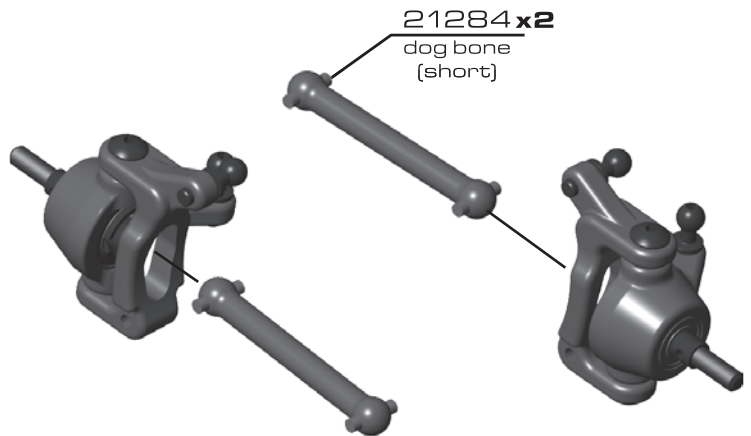
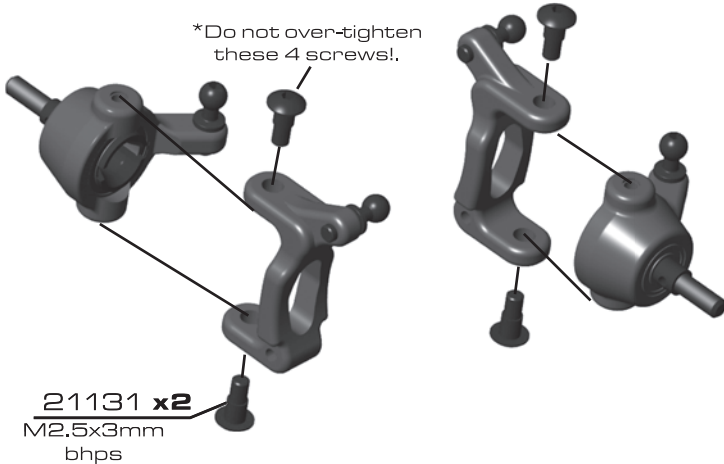


:: Caster Blocks Build (cont.)

STEP 3

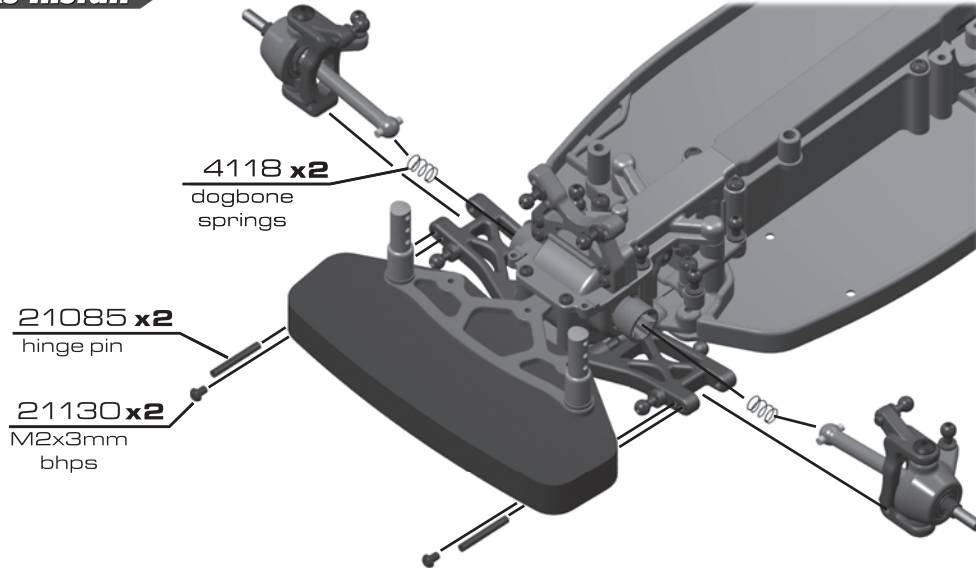


*Do not over-tighten
these 4 screws!



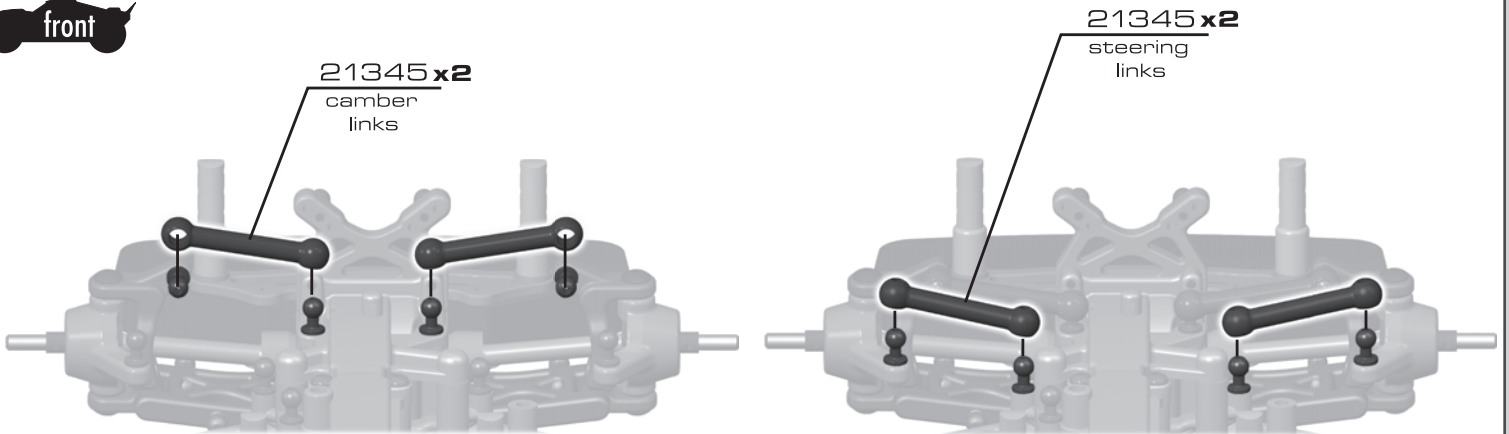
:: Caster Blocks Install

STEP 1



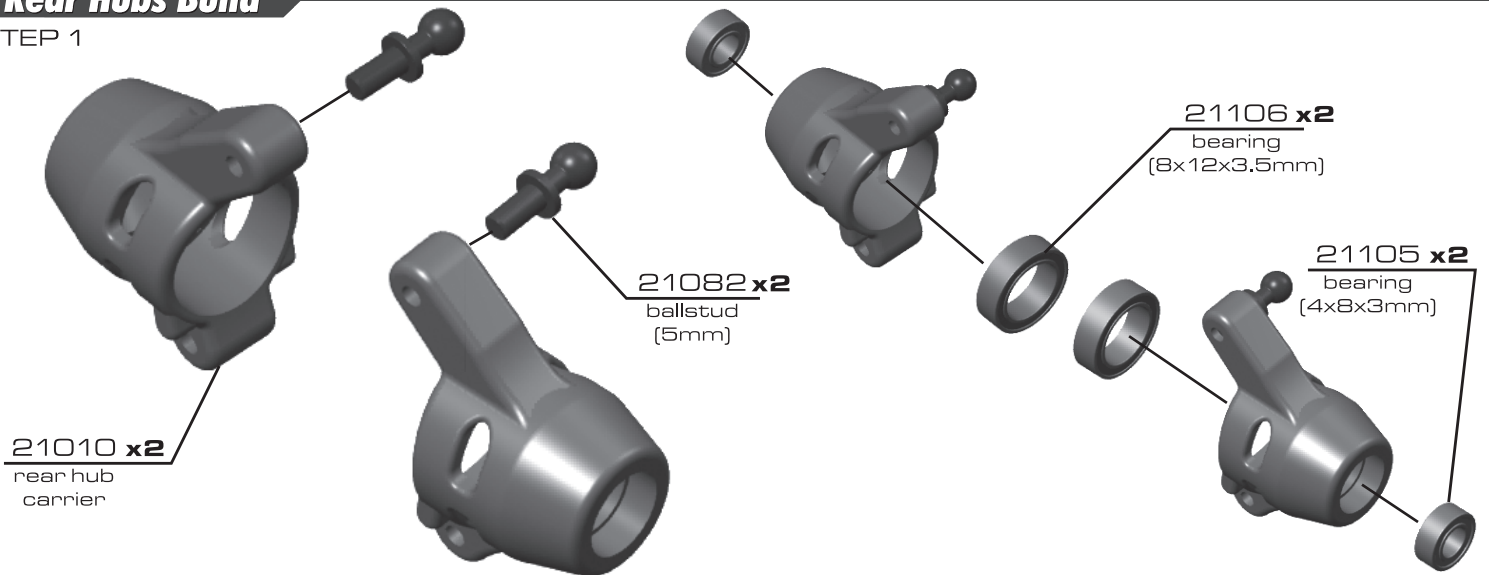
:: Caster Blocks Install (cont.)

STEP 2



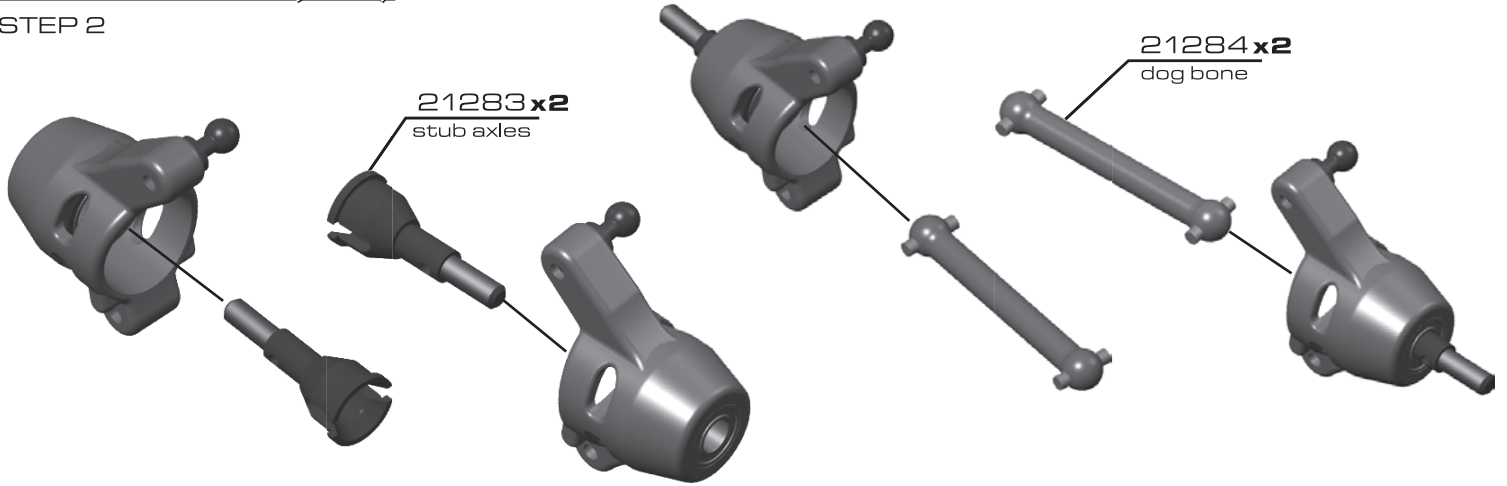
:: Rear Hubs Build

STEP 1



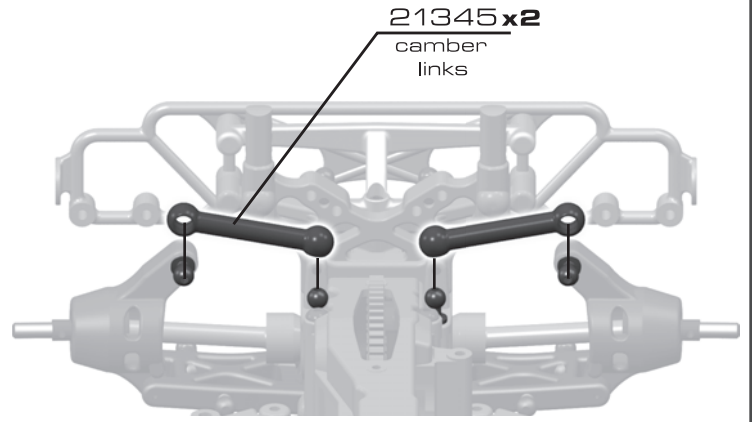
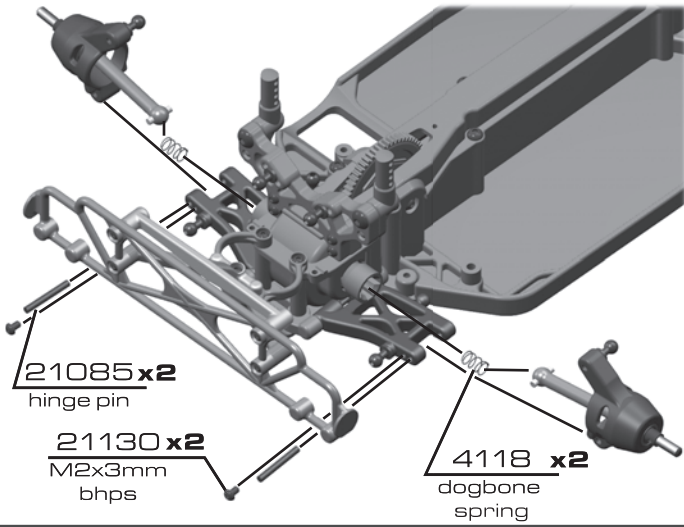
:: Rear Hubs Build (cont.)

STEP 2



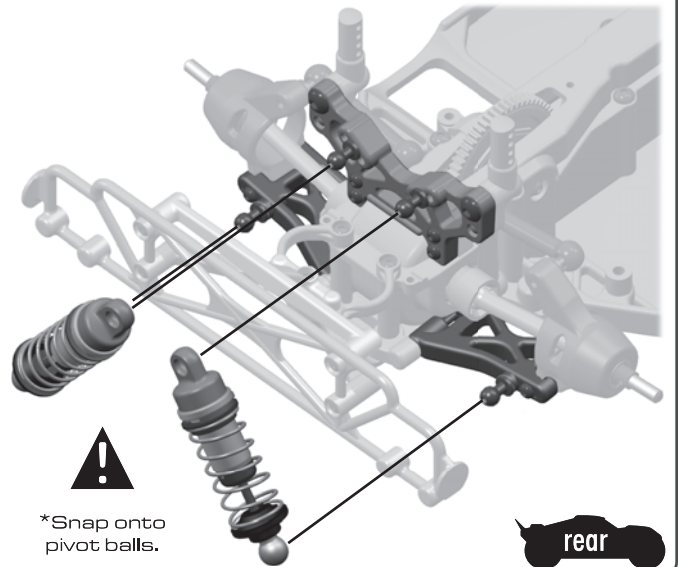
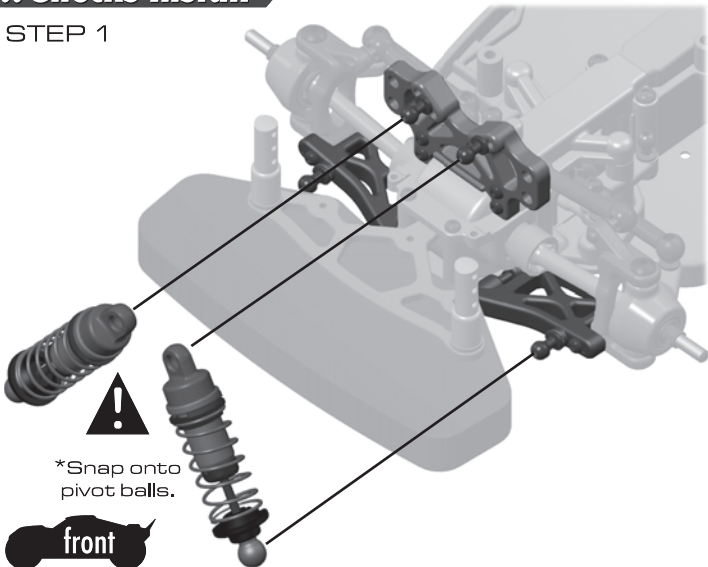
:: Rear Hubs Install

STEP 1



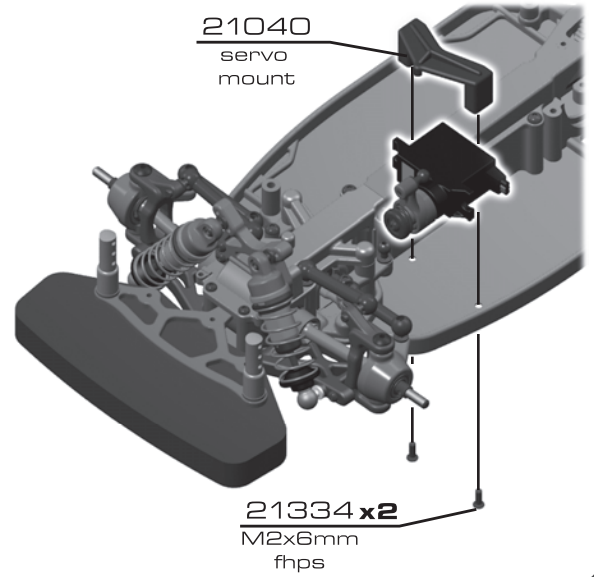
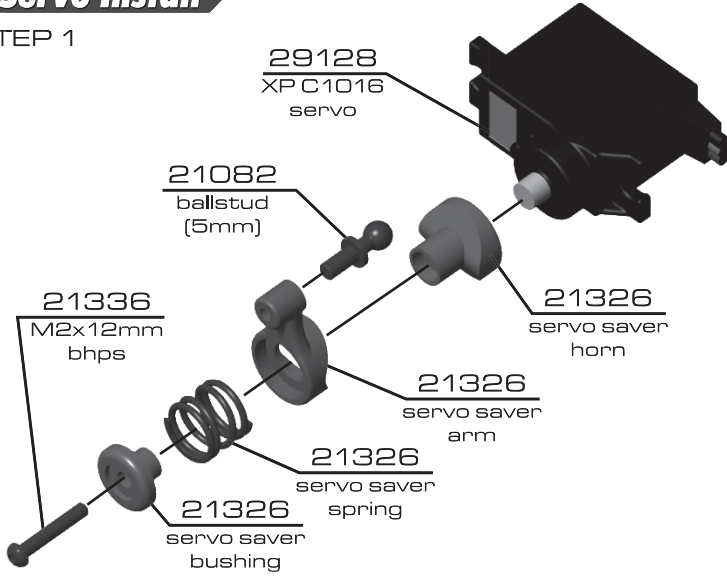
:: Shocks Install

STEP 1



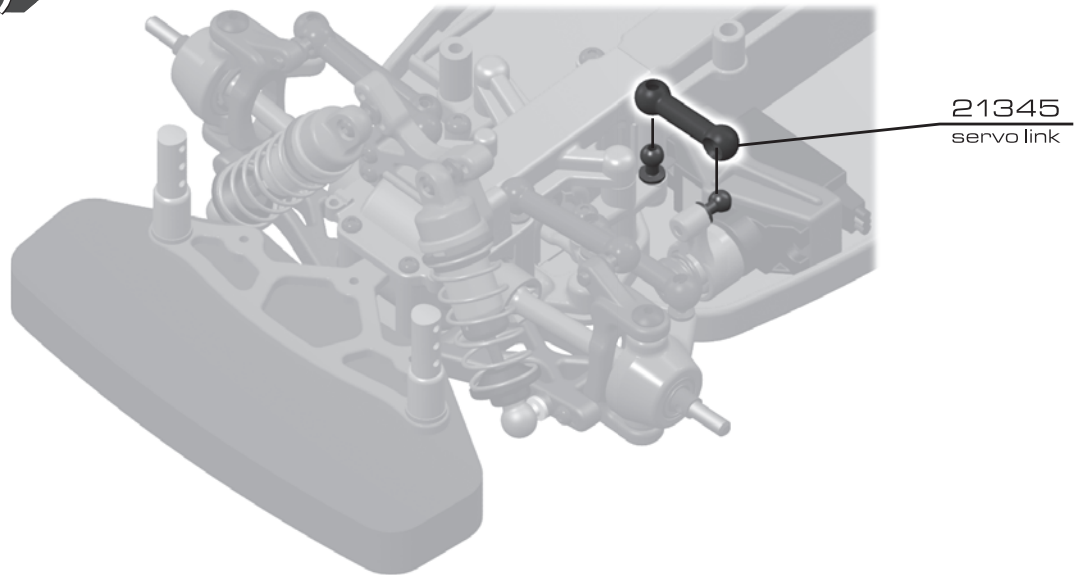
:: Servo Install

STEP 1



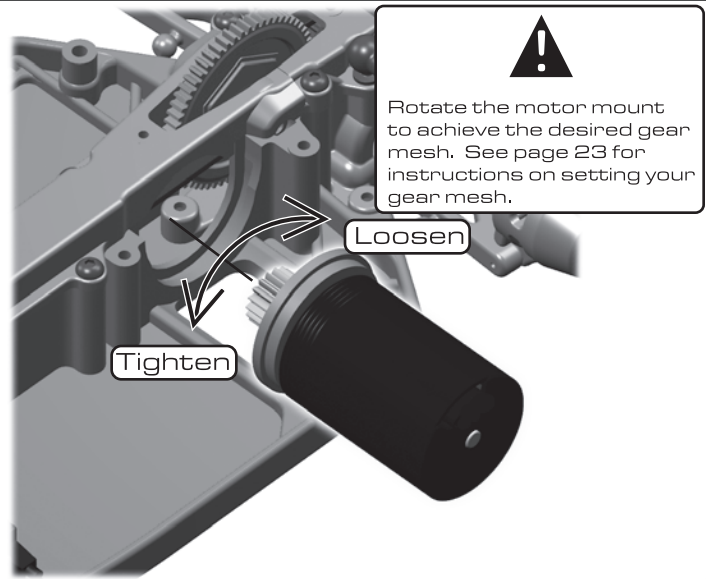
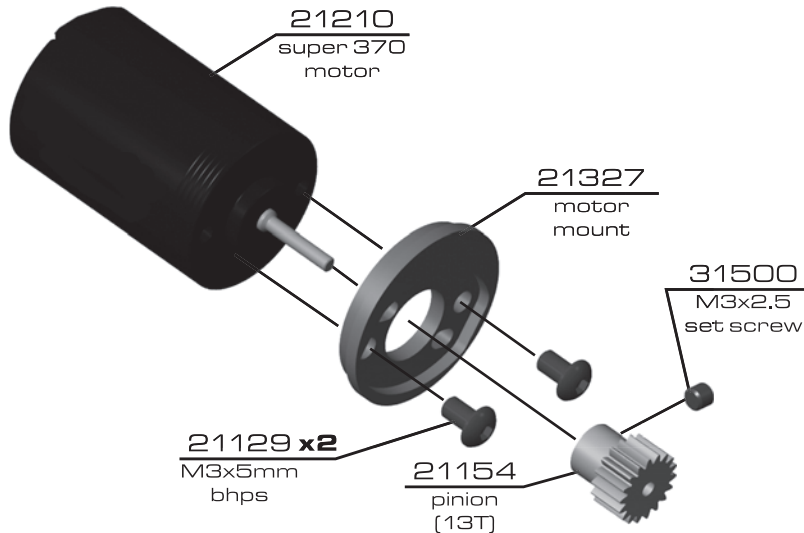
:: Servo Install (cont.)

STEP 2



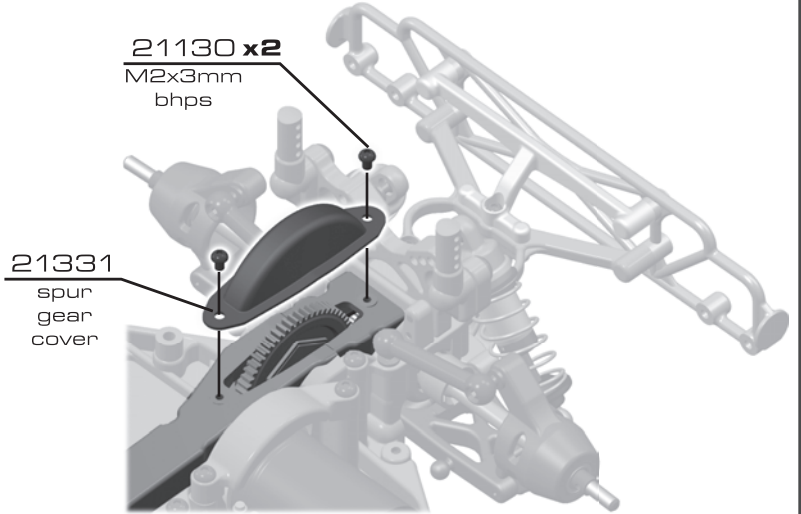
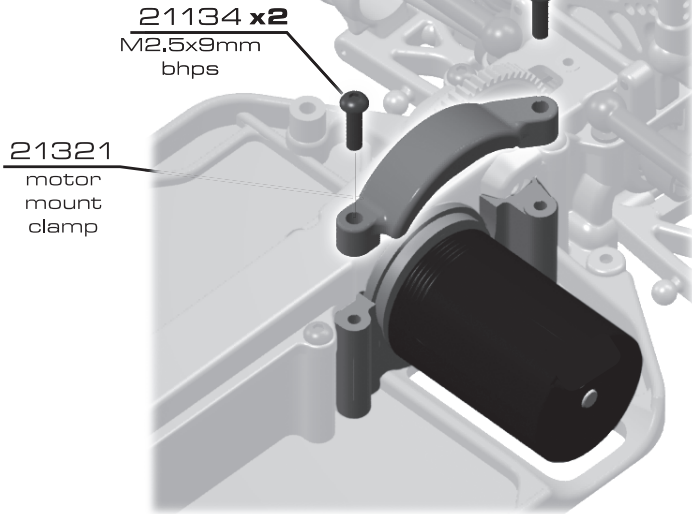
:: Motor Install

STEP 1



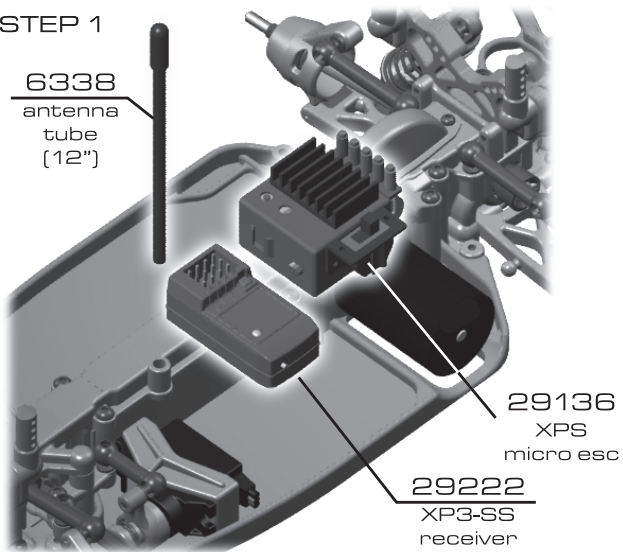
:: Motor Install (cont.)

STEP 2



:: Electronics Install

STEP 1

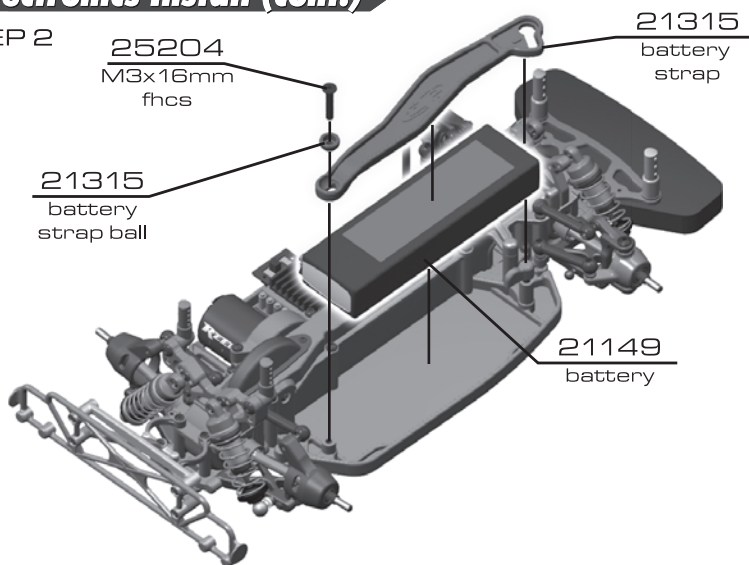


!
Adjust the height
of the latch to
secure your
battery pack.

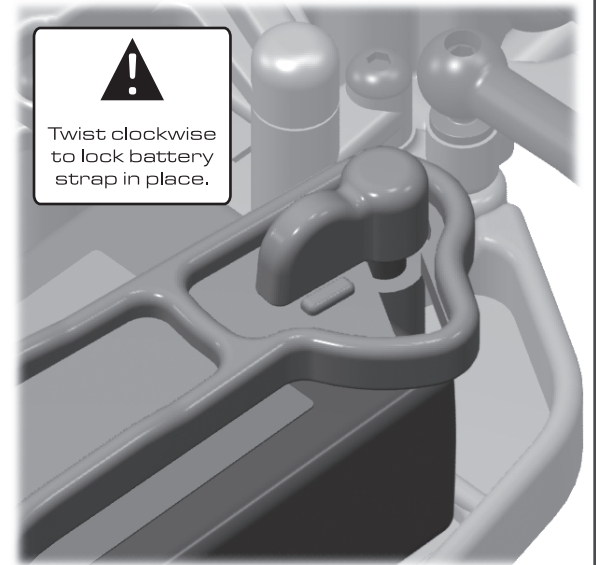


:: Electronics Install (cont.)

STEP 2

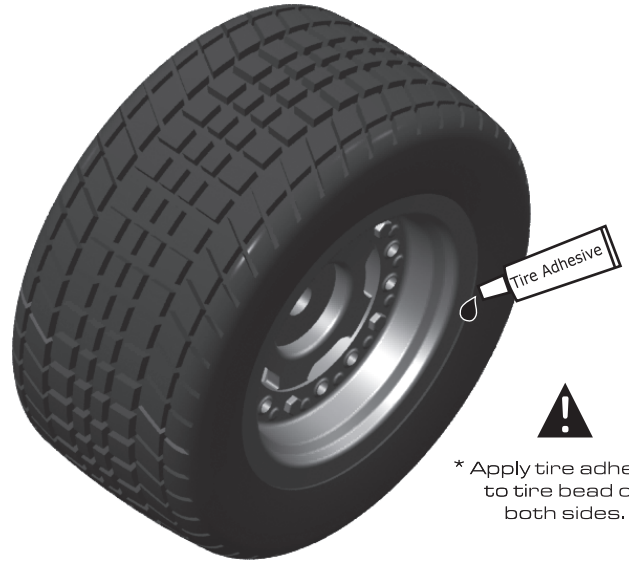
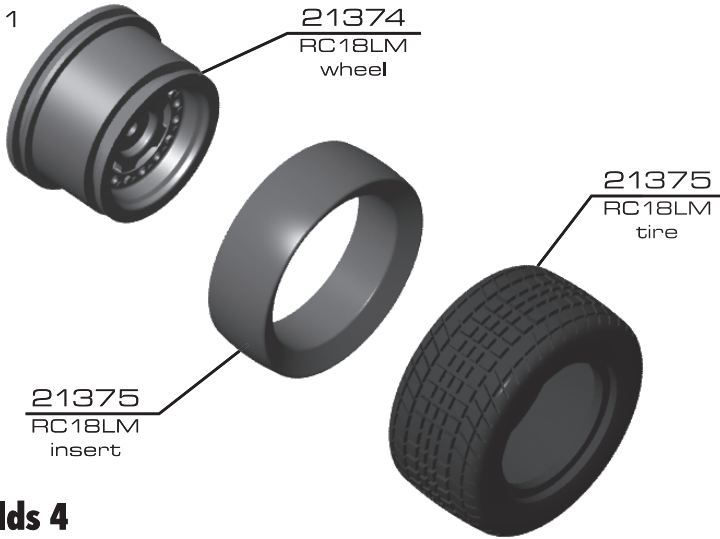


!
Twist clockwise
to lock battery
strap in place.



:: Tires and Wheels

STEP 1

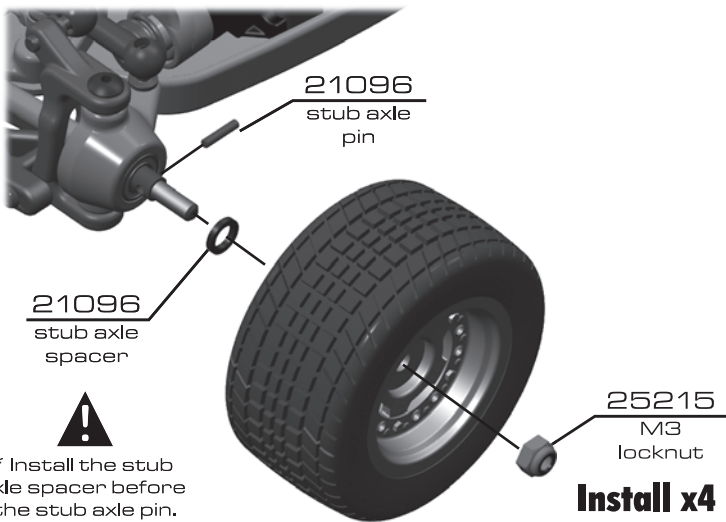


* Apply tire adhesive to tire bead on both sides.

Builds 4

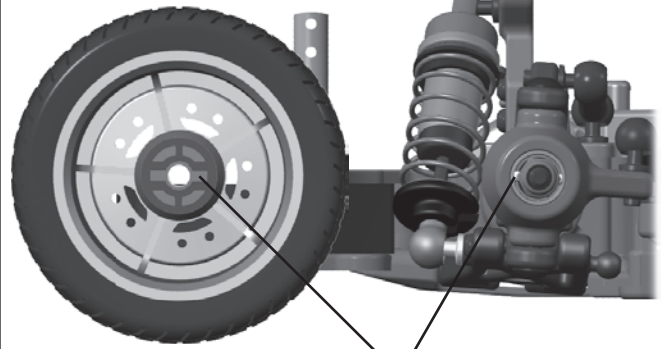
:: Tires and Wheels (cont.)

STEP 2



* Install the stub axle spacer before the stub axle pin.

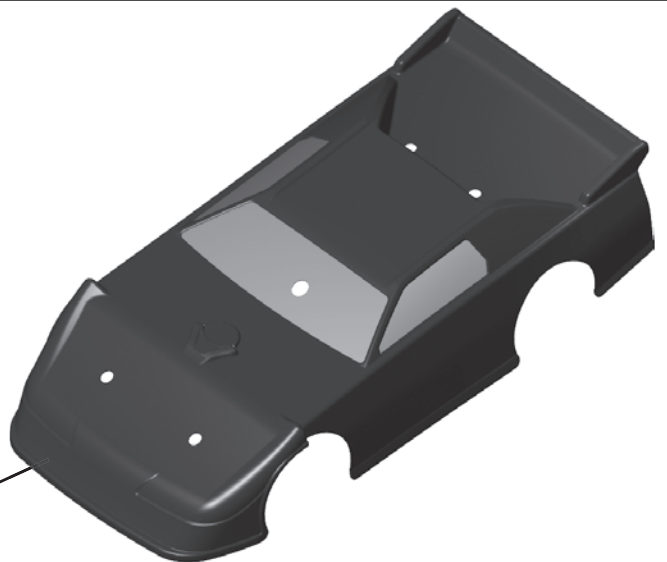
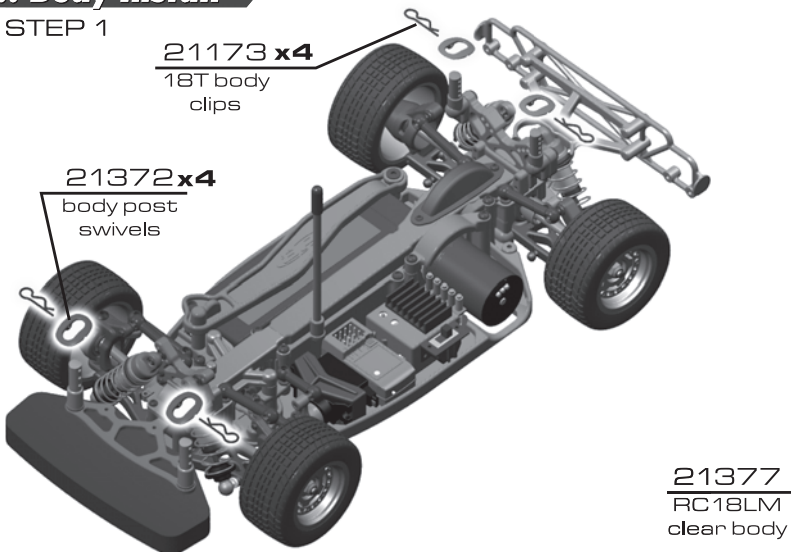
Install x4



Align axle pin with slot in wheel.

:: Body Install

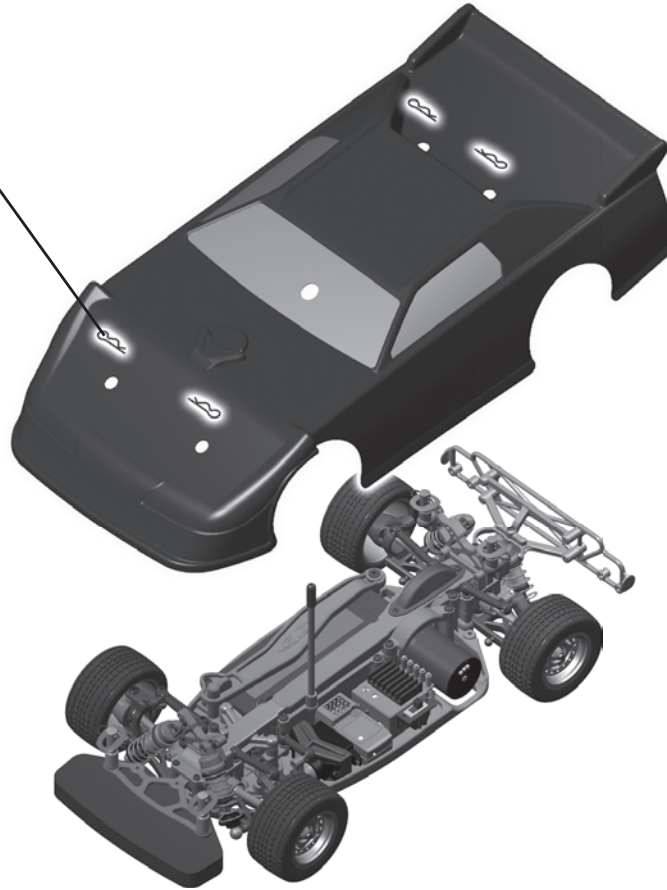
STEP 1



:: Body Install (cont.)

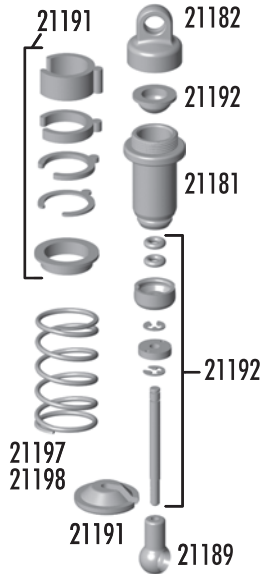
STEP 2

21173 x4
18T body clips



:: Shocks

21181 Shock Body, front, (fr & rr)	Pr.
21182 Shock Caps	4
21184 Shock Kit, front, (fr & rr)	Pr.
21189 Ballcaps, short	12
21191 Shock Accessories	Set
21192 Shock Rebuild Kit, rebuilds 4 shocks	Set
21197 Shock Spring, silver, 2.55 lb/in	Pr.
21198 Shock Spring, blue, 3.0 lb/in (Kit)	Pr.
21199 Shock Spring, gold, 3.45 lb/in (Kit)	Pr.



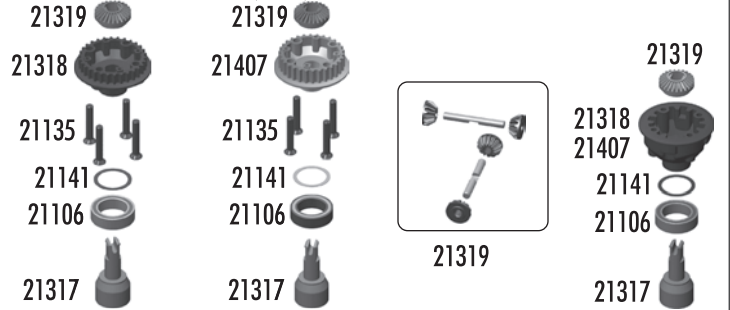
:: Shock Oil

5420 10 Weight Silicone Shock Oil	2oz.
5421 20 Weight Silicone Shock Oil	2oz.
5422 30 Weight Silicone Shock Oil	2oz.
5423 40 Weight Silicone Shock Oil	2oz.
5425 80 Weight Silicone Shock Oil	2oz.
5427 15 Weight Silicone Shock Oil	2oz.
5428 25 Weight Silicone Shock Oil	2oz.
5429 35 Weight Silicone Shock Oil	2oz.
5430 45 Weight Silicone Shock Oil	2oz.
5431 55 Weight Silicone Shock Oil	2oz.
5435 50 Weight Silicone Shock Oil	2oz.
5436 60 Weight Silicone Shock Oil	2oz.
5437 70 Weight Silicone Shock Oil	2oz.



:: Gear Differential

21106 Bearings, 8x12x3.5mm rubber sealed	Pr.
21135 M2x12mmFHPS	20
21141 Shim Set, .324x.409x.005	4
21317 Gear Diff Outdrives	2
21318 Gear Diff Case, Front (narrow)	Set
21319 Internal Diff Gears	Set
21335 Complete Gear Diff, Front	1
21406 Complete Gear Diff, Rear	1
21407 Gear Diff Case, Rear (wide)	Set



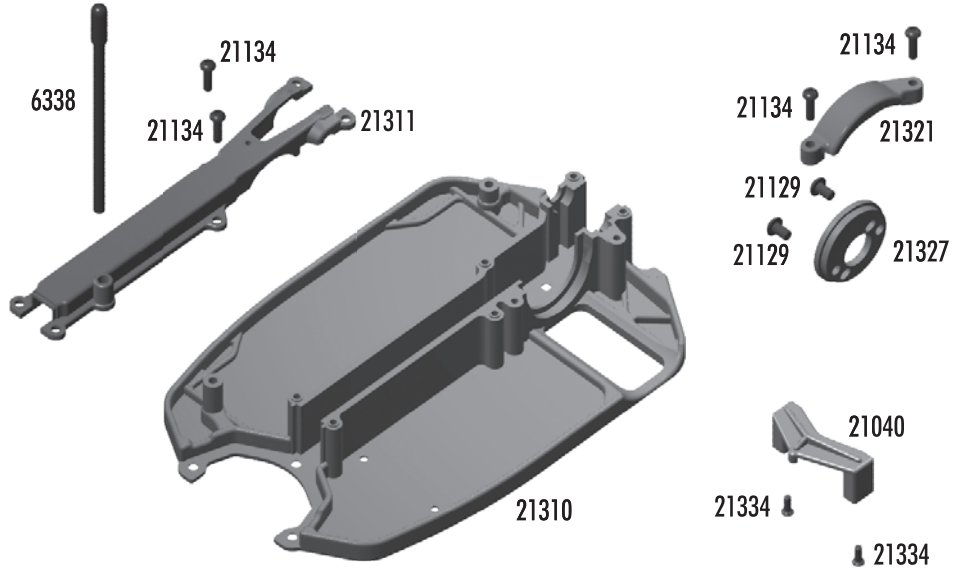
:: Lubes and Adhesives

1105 Green Slime Shock Lube	4cc
1596 FT Locking Compound	10ml
6588 Black Grease	4cc
6591 Diff Lube	4cc
6636 Silicone Grease	4cc
6727 Servo Tape Strips	2



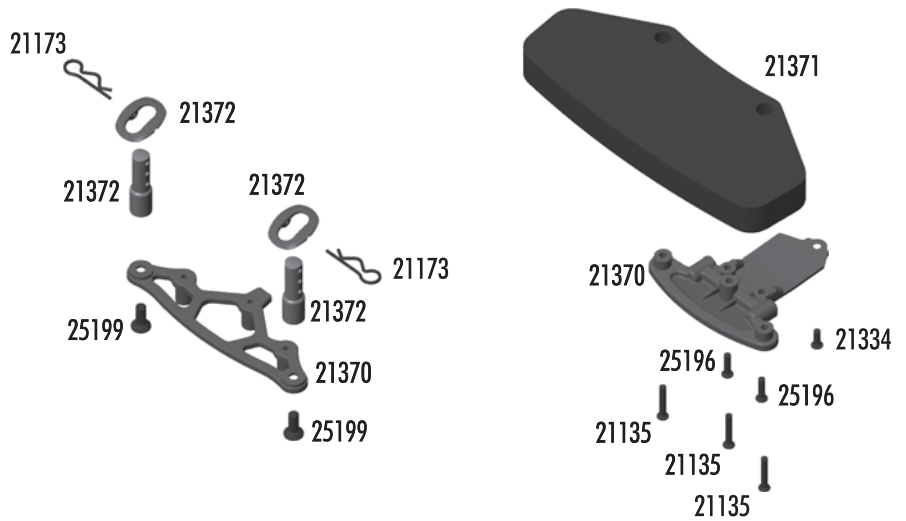
:: Chassis

6338	Antenna tube and cap, 12"	1
21040	Servo Mount	1
21129	M3x5mm BHPS, (motor screws)	20
21134	M2.5x9 BHPS	20
21310	Chassis	1
21311	Center Top Plate	1
21321	Motor Mount Clamp	1
21327	Motor Mount	1
21334	M2x6mm FHPS	20



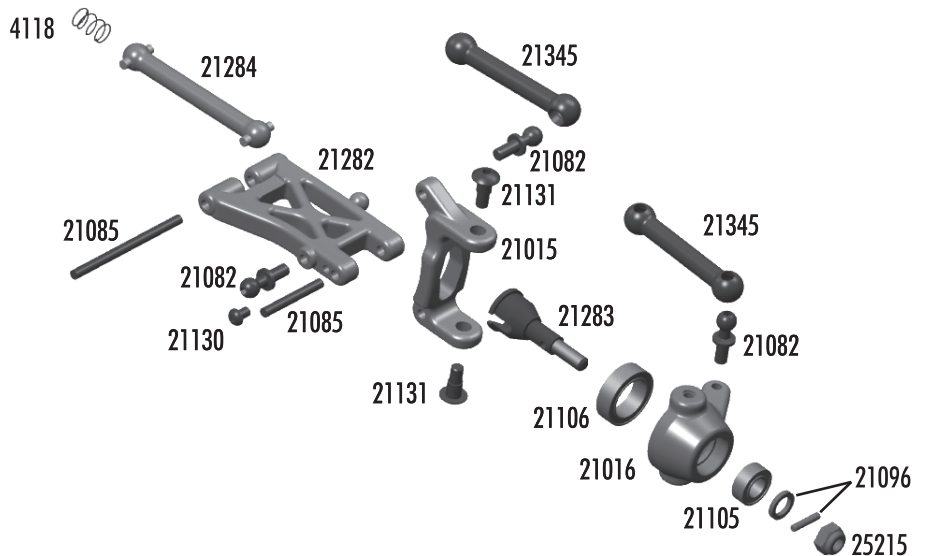
:: Front Bumper

21135	M2x12mm FHPS	20
21173	18T Body Clips	12
21334	M2x6mm FHPS	20
21370	RC18LM Arm Mounts / Brace	Set
21371	RC18LM Foam Bumper	1
21372	RC18LM Body Mounts, includes front and rear body mounts, 4 swivels, 8 body clips	Set
25196	M2x8mm FHPS	20
25199	M3x8mm FHPS	20



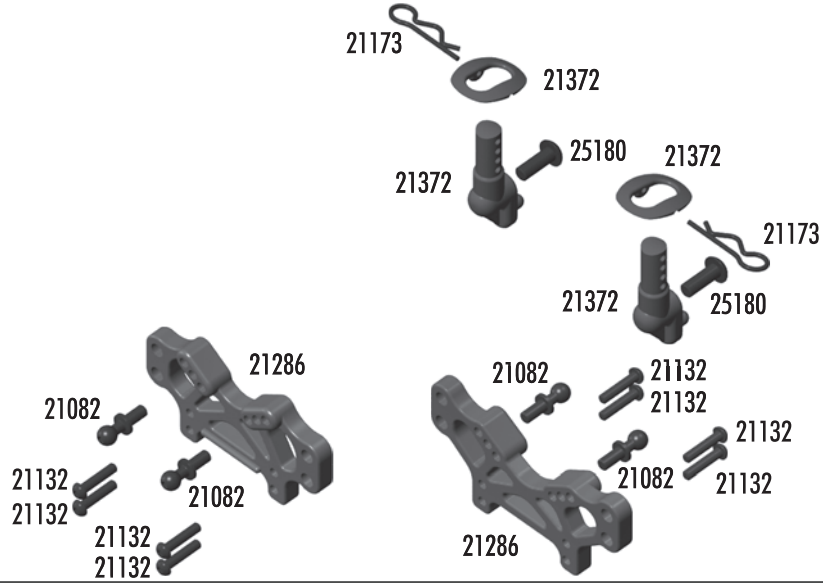
:: Front Arms

4118	.014 Springs	2
21015	Left or Right Caster Blocks	Pr.
21016	Steering Blocks	Pr.
21082	Ballstud Set, Two 8mm and nine 5mm	Set
21085	Hinge Pin Set	Set
21096	Stub Axle Pins & Spacers	Set
21105	Bearings, 4x8x3mm rubber sealed	2
21106	Bearings, 8x12x3.5mm rubber sealed	2
21130	M2x3mm BHPS	20
21131	M2.5x3mm BHPS	4
21282	18R / SC18 Front / Rear Arms	Pr.
21283	18R / SC18 Stub Axles	Pr.
21284	18R / SC18 Dogbones & Springs	Pr.
21345	SC18 Molded Tie Rod Links	Set
25215	M3 Locknut	20



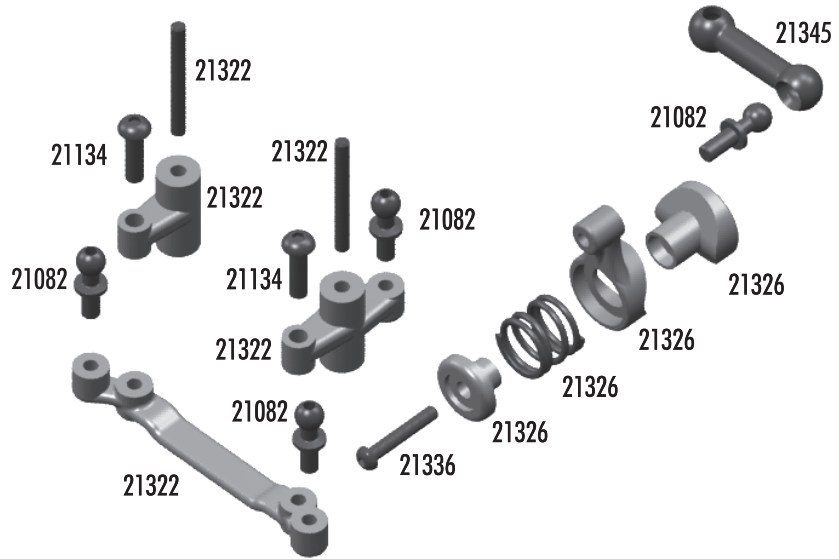
:: FR / RR Shock Towers

21082	Ballstud Set, Two 8mm and Nine 5mm	Set
21132	M2x9mm BHPS	20
21173	18T Body Clips	12
21286	18R / SC18 FR/RR Shock Towers	Set
21372	RC18LM Body Mounts, includes 4 body posts, 4 swivels, 8 body clips	Set
25180	M3x8mm BHPS	20



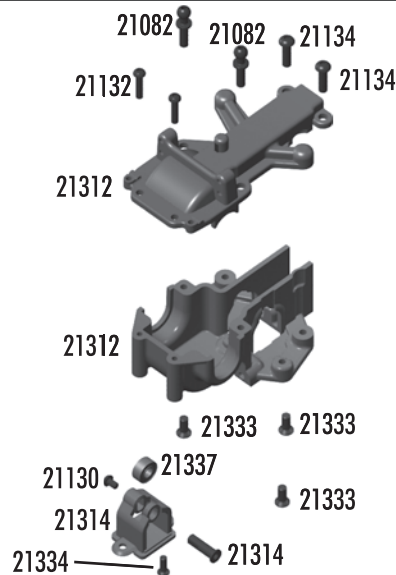
:: Steering

21082	Ballstud Set, Two 8mm and Nine 5mm	Set
21134	M2.5x9mm BHPS	20
21322	Steering Rack / Bellcrank	Set
21326	Servo Saver / Horns	Set
21336	M2x12mm BHPS	20
21345	SC18 Molded Tie Rod Links	Set



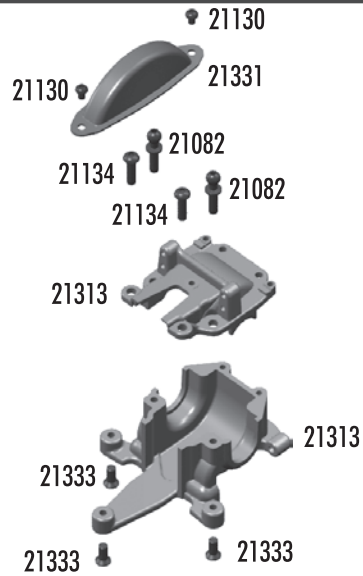
:: Front Gearbox

21082	Ballstud Set, Two 8mm and Nine 5mm	Set
21130	M2x3mm BHPS	20
21132	M2x9mm BHPS	20
21134	M2.5x9mm BHPS	20
21312	Front Gearbox	Set
21314	Belt Tensioner	Set
21333	M2.5x6mm FHPS	20
21334	M2x6mm FHPS	20
21337	Bearing 3x6x2.5mm	2



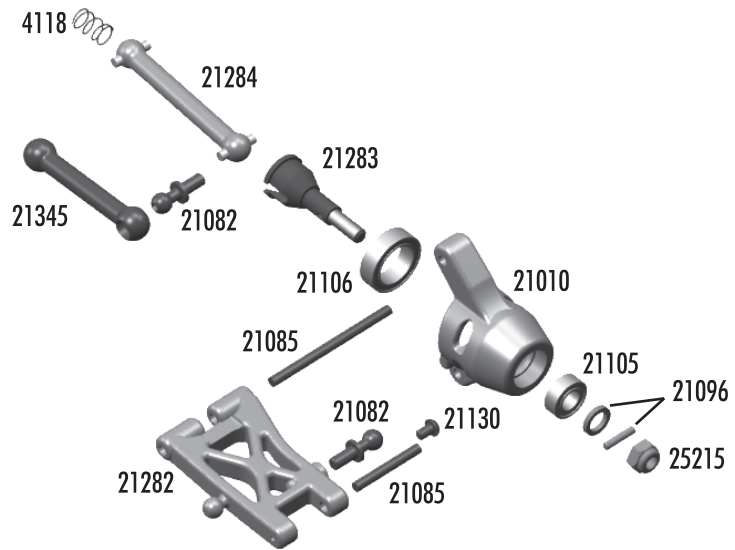
:: Rear Gearbox

21082	Ballstud Set, Two 8mm and Nine 5mm	Set
21130	M2x3mm BHPS	
21134	M2.5x9mm BHPS	
21313	Rear Gearbox	
21331	Spur Gear Cover	
21333	M2.5x6mm FHPS	



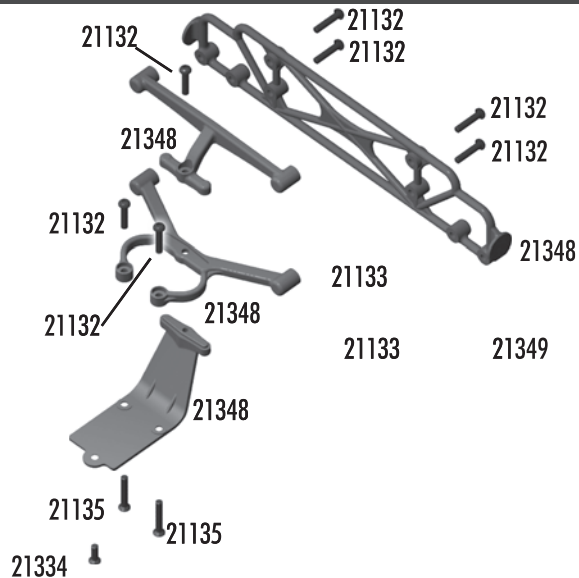
:: Rear Arms

4118	.014 Springs	2
21010	Rear Hubs	Pr.
21082	Ballstud Set, Two 8mm and Nine 5mm	Set
21085	Hinge Pin Set	Set
21096	Stub Axle Pins & Spacers	Set
21105	Bearings, 4x8x3mm	2
21106	Bearings, 8x12x3.5mm	2
21130	M2x3mm BHPS	20
21282	18R / SC18 Front / Rear Arms	Pr.
21283	18R / SC18 Stub Axles	Pr.
21284	18R / SC18 Dogbones & Springs	Pr.
21345	SC18 Molded Tie Rod Links	Set
25215	M3 Locknuts	20



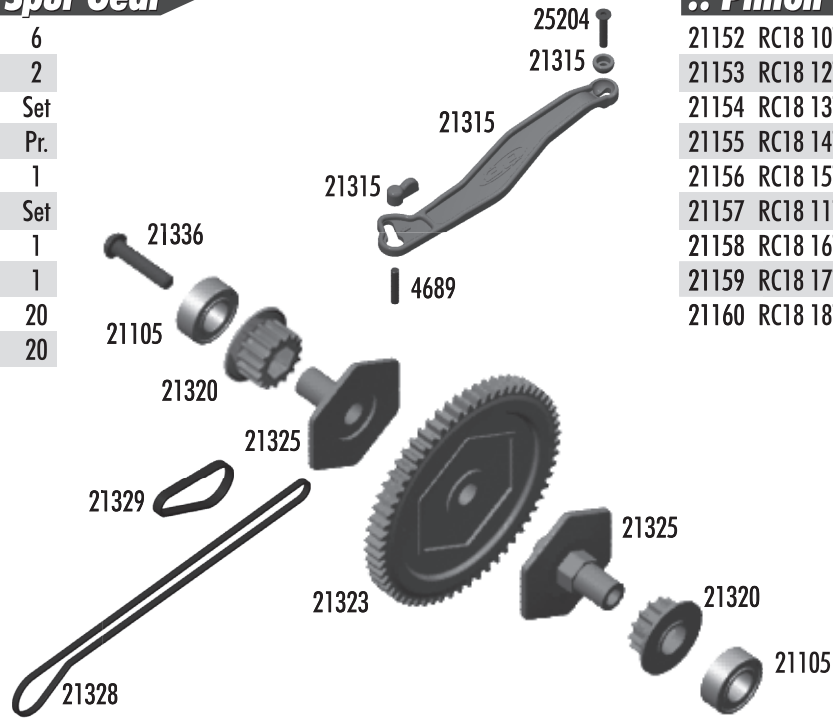
:: Rear Bumper

21132	M2x9mm BHPS	20
21135	M2x12mm FHPS	20
21334	M2x6mm FHPS	20
21348	Rear Bumper / Brace / Skid Plate	Set



:: Battery Strap / Belts / Spur Gear

4689	M3x16mm Set Screw	6
21105	Bearings, 4x8x3mm rubber sealed	2
21315	Battery Strap	Set
21320	Spur Gear Pulley Set	Pr.
21323	Spur Gear (60T) Kit	1
21325	Spur Gear Hub	Set
21328	Front Belt	1
21329	Rear Belt	1
21336	M2x12mm BHPS	20
25204	M3x16mm FHPS	20



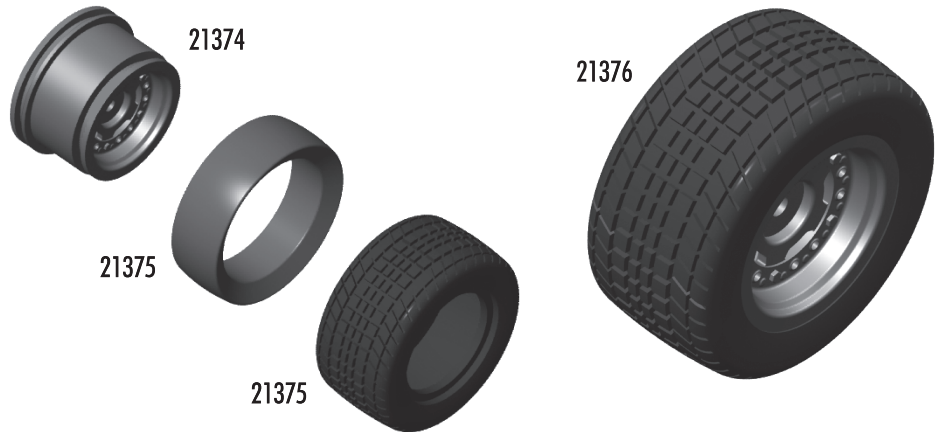
:: Pinion

21152	RC18 10T Pinion w/set screw	1
21153	RC18 12T Pinion w/set screw	1
21154	RC18 13T Pinion w/set screw - Kit	1
21155	RC18 14T Pinion w/set screw	1
21156	RC18 15T Pinion w/set screw	1
21157	RC18 11T Pinion w/set screw	1
21158	RC18 16T Pinion w/set screw	1
21159	RC18 17T Pinion w/set screw	1
21160	RC18 18T Pinion w/set screw	1



:: Wheels / Tires

21374	RC18LM Wheel	Pr.
21375	RC18LM Tire / Insert	Pr.
21376	RC18LM Wheel / Tire "mounted"	Pr.



:: Body / Decals

21173	18T Body Clips	12
21373	RC18LM Decal Sheet	1
21377	RC18LM Body, clear	1
21378	RC18LM RTR Body, red	1
21379	RC18LM RTR Body, black	1



:: Factory Team Options

1736	FT Body Clips, blue short	6
21214	FT Front Threaded Shock Bodies & Collars	Pr.
21216	FT Front Threaded Shock Kit, with Collars	Pr.
21223	FT Steering Blocks, blue aluminum	Pr.
21224	FT Hub Carriers, blue aluminum	Pr.
21225	FT Caster Blocks, blue aluminum	Pr.
21231	MIP CVD Rebuild Kit	Set
21232	FT CVD Axle Pins	4
21241	FT Ballstuds, blue aluminum (Two 8mm and Nine 5mm)	Set
21243	FT Blue Outdrive Sleeves	4
21330	Bearing Set	Set
21380	MIP CVD Assemblies (SC18 / RC18LM / 18R)	Pr.
21381	Complete Ball Diff Kit, Front	Set
21382	Diff Rebuild Kit	Set
21383	Carbide Diff Balls	10
21384	Ball Diff Pulley, Front	1
21385	FT Anti-Roll Bar Link	4
21386	FT Anti-Roll Bar Set	Set
21387	FT Ballcups	12
21388	FT Spur Gear Bearing Caps	1
21389	FT Battery Retainer	1
21390	FT Pistons (4x 3 slot, 4x 4 slot pistons)	8
21391	FT Anti-Roll Bar Pivot	4
21392	FT Motor Mount	1
21393	FT RR Bulkhead	1
21394	FT FR Bulkhead	1
21395	FT Slipper Hub	2
21396	FT Slipper Pads	2
21397	FT Slipper Shaft	1
21398	FT Slipper Shaft Spacer	1
21399	FT Slipper Spring	1
21400	FT Chassis	1
21401	FT Top Plate	1
21402	FT Chassis Conversion Kit	Set
21403	SC18 / RC18LM Titanium Turnbuckle Set	Set
21405	FT Complete Slipper Shaft Assembly	Set
21408	Complete Ball Diff Kit, Rear	Set
21409	Ball Diff Pulley, Rear	1
25392	FT 3mm Locknuts, blue	10
29137	18T XPS ESC Heatsink	1

:: LRP

LRP41552	Pulsar 3 Charger	1
LRP43150	Power Supply 14 Amps	1
LRP45200	LiPo Balancer	1
LRP50240	Vector Micro Brushless 7900kv Motor	1
LRP50250	Vector Micro Brushless 6900kv Motor	1
LRP50260	Vector Micro Brushless 5900kv Motor	1
LRP80481	NEXXT 4X / Vector 7900kv Combo	Set
LRP80482	NEXXT 4X / Vector 6900kv Combo	Set
LRP80483	NEXXT 4X / Vector 5900kv Combo	Set
LRP80810	Quantum Competition 2 Micro ESC	1
LRP86500	NEXXT 4X Micro Brushless ESC	1

:: Electronics

21149	18T 6-Cell Battery	1
21210	Super 370 Motor	1
29128	18T XP C1016 Servo	1
29130	XP TR203A Micro Receiver, for the XP3D AM	1
29136	XPS Micro ESC	1
29155	XP3D Radio & Receiver 27 MHZ (FM)	1
29156	XP3D Radio & Receiver 75 MHZ (FM)	1
29158	XP3D Radio Only	1
29160	27MHZ Module, AM, for the XP3D	1
29161	27MHZ Module, FM, for the XP3D	1
29162	75MHZ Module, FM, for the XP3D	1
29164	Micro RX 3 Ch FM 27MHZ Receiver, for the XP3D	1
29165	Micro RX 3 Ch FM 75MHZ Receiver, for the XP3D	1
29221	XP3-SS 2.4ghz Radio and Receiver	1
29222	XP3-SS 2.4ghz Receiver	1

Go to www.rc10.com for a complete listing of radio crystals!

:: Reedy Motors

290	Stump Puller 19T	1
291	Mini-Mod 17T	1
292	Mini-Mod 19T	1
910	Micro Brushless Motor 5000kv	1
911	Micro Brushless Motor 5500kv	1
912	Micro Brushless Motor 6100kv	1
913	Micro Brushless Motor 7000kv	1
914	Micro Brushless Motor 8000kv	1
915	Micro Brushless Motor 9500kv	1

:: Reedy Electronics

610	Reedy 447-S AC/DC 4-7 Cell NiMH/NiCd Peak Prediction Charger	1
900	Micro Brushless ESC	1
930	Micro Brushless ESC w/5000kv Motor	Set
931	Micro Brushless ESC w/5500kv Motor	Set
932	Micro Brushless ESC w/6100kv Motor	Set
933	Micro Brushless ESC w/7000kv Motor	Set
934	Micro Brushless ESC w/8000kv Motor	Set
935	Micro Brushless ESC w/9500kv Motor	Set

:: Reedy Batteries

302	AA Alkaline 1.5V	4
303	AA 2700mAh NiMH 1.2V Rechargeable	4
618	1600 Series 7.2V NiMH Flat Micro Pack	1
620	Micro Pack 1800mAh 7.4V 20C LiPo	1
621	VMX 1600mAh NiMH 7.2V Flat Micro Pack	1
622	VMX 1600mAh NiMH 7.2V Stick Micro Pack w/TRA	1

:: Reedy Accessories

660	3.5mm plugs (3M, 3F)	1
716	Reedy 09' Decal Set	1
718	LiPo Charging Sack	1
SP35**	Reedy Logo T-Shirt - White (M,L,XL,XXL,XXXL)	1
SP36**	Reedy Logo T-Shirt - Black (M,L,XL,XXL,XXXL)	1
SP417	Factory Team 1/10 Motor Storage Bag	1
SP418	Factory Team 1/10 Car Carrier Bag	1

:: 1/18 Kits and RTR's

20100	RC18T RTR (ready-to-run)	1
20102	FT RC18T Kit	1
20105	RC18B RTR (ready-to-run)	1
20110	RC18MT RTR (ready-to-run)	1
20115	RC18R Kamino RTR (ready-to-run)	1
20116	RC18R Citroen WRC 2005 RTR (ready-to-run)	1
20118	RC18R Niteline RTR (ready-to-run)	1
20120	SC18 RTR (ready-to-run)	1
20130	RC18LM RTR (ready-to-run)	1

:: 1/12, 1/10 Kits and RTR's

2033	FT Nitro TC3 Kit	1
2042	Nitro TC3 RTR Plus (ready-to-run)	1
4019	FT 12R5.1 Kit	1
7020	RC10T4 Team Truck Kit	1
7022	FT RC10T4 Team Truck Kit	1
7024	RC10T4RS "Race Spec" RTR (ready-to-run)	1
7026	SC10 Lucas Oil Race Truck RTR (ready-to-run)	1
7027	SC10 2WD Short Course Race Truck Kit	1
7028	SC10 Pro Comp Race Truck RTR (ready-to-run)	1
7029	SC10 Associated/RC10.com Race Truck RTR (ready-to-run)	1
7030	SC10 KMC Wheels Race Truck RTR (ready-to-run)	1
7031	SC10 Bullydog/RC10.com Race Truck RTR (ready-to-run)	1
7032	SC10 Ready Lift RTR (ready-to-run)	1
7080	FT GT2 Nitro Truck Kit	1
7092	GT2 RS Truck Nitro RTR (ready-to-run)	1
8020	FT RC10R5 Kit	1
8021	FT RC10R5-OVAL Kit	1
9034	RC10B4 Buggy Kit	1
9035	FT RC10B4 Buggy Kit	1
9037	RC10B4RS "Race Spec" RTR (ready-to-run)	1
9060	FT B44 4WD Buggy Kit	1
20515	MGT 3.0 Nitro Monster Truck RTR (ready-to-run)	1
30104	FT TC5F Foam Tire Edition 4WD Touring Car Kit	1
30105	FT TC5R Rubber Tire Edition 4WD Touring Car Kit	1
30111	TC4 4WD Touring Car RTR (ready-to-run)	1

:: 1/8 Kits and RTR's

20501	Monster GT 4.60 SE Nitro RTR (ready-to-run)	1
20502	MGT 8.0 Nitro RTR (ready-to-run)	1
20503	Limited Edition MGT 4.60 Nitro RTR, with flag body (ready-to-run)	1
20504	Limited Edition MGT 8.0 Nitro RTR, with flag body (ready-to-run)	1
80901	RC8e 4WD Electric Buggy Kit	1
80902	FT RC8B Nitro Buggy Kit	1
80905	RC8RS "Race Spec" Nitro Buggy RTR (ready-to-run)	1
80911	RC8Te 4WD Electric Tuggy Kit	1
80912	RC8T Championship Edition	1
80915	RC8T-RS "Race Spec" Nitro Truggy RTR (ready-to-run)	1
80920	SC8 Short Course Race Truck, Red Bull Nitro RTR (ready-to-run)	1
80921	SC8 Short Course Race Truck, Lucas Oil Nitro RTR (ready-to-run)	1
80922	SC8 Short Course Race Truck, KMC Wheels Nitro RTR (ready-to-run)	1
80923	SC8 Short Course Race Truck, Bully Dog Nitro RTR (ready-to-run)	1
80924	SC8 Short Course Race Truck, AE Team Nitro RTR (ready-to-run)	1
80925	SC8 Short Course Race Truck, Pro Comp Nitro RTR (ready-to-run)	1
80931	SC8e 4WD Electric Short Course Race Truck, Kit	1

:: Tools

1110	Turnbuckle Wrench	1
1111	FT Turnbuckle Wrench	1
1449	Offroad Ride Height Gauge	1
1450	FT Ride Height Gauge	1
1541	FT Hex Driver Set (7 pcs)	Set
1542	FT .050" Silver Hex Driver	1
1543	FT 1/16" Black Hex Driver	1
1544	FT 1.5mm Purple Hex Driver	1
1545	FT 5/64" Blue Hex Driver	1
1546	FT 3/32" Gold Hex Driver	1
1547	FT 2.5mm Green Hex Driver	1
1548	FT 3mm Red Hex Driver	1
1551	FT Screwdriver Set	1
1553	FT Phillips Silver Screwdriver	1
1554	FT Silver Spring Hook Tool	1
1561	Full Set of 6 FT Nut Drivers	Set
1562	FT 3/16" Black Nut Driver	1
1563	FT 1/4" Red Nut Driver	1
1564	FT 5.5mm Red Nut Driver	1
1565	FT 11/32" Green Nut Driver	1
1566	FT 7.7mm Silver Nut Driver	1
1567	FT 8mm Gold Nut Driver	1
1589	FT 5/64" Blue Ball Hex Driver	1
1590	FT 3/32" Gold Ball Hex Driver	1
1592	Full Set of 3 Ball Hex Drivers	Set
1719	FT Camber + Track Width Tool	1
1737	FT Body Scissors	1
3718	12 Inch Nylon Wire Ties	12
3719	6 Inch Nylon Wire Ties	12
3720	8 Inch Nylon Wire Ties	12
3987	FT Droop Gauge	1
6429	Shock Building Tool	1
6956	Molded Tools	Set
7709	4 Inch Nylon Wire Ties	12



Check out www.TeamAssociated.com - www.RC10.com for the latest kits, RTRs, and option parts for your SC18 and other Associated vehicles!

:: Apparel

SP35**	Reedy 09' White T-Shirt (M, L, XL, XXL, XXXL)	1
SP36**	Reedy 09' Black T-Shirt (M, L, XL, XXL, XXXL)	1
SP58**	AE Logo Black T-Shirt (M, L, XL, XXL)	1
SP59**	AE Logo Blue T-Shirt (M, L, XL, XXL)	1
SP60**	AE Hooded Sweatshirt (S, M, L, XL, XXL)	1
SP102	1/10 Inner and Outer Boxes Only	Set
SP103	1/10 Inner Boxes Only	Pr.
SP410**	AE Hats Black (S-M, L-XL, XXL-XXXL)	1
SP416	1/10 Car Carrier Bag Only	1
SP417	1/10 FT Motor Bag	1
SP418	1/10 FT Car Carrier Bag with Boxes	Set
SP420**	AE Pit Gloves (M, L, XL)	Pr.
715	Reedy 2009 Track Banner	1
110684	Team Associated Track Banner	1

** Use part number plus the desired size when ordering!

:: Gearing / Maintenance

Motor Gearing:

Proper motor gearing will result in maximum performance and run time while reducing the chance of overheating and premature motor failure. The gear ratio chart lists recommended **starting** gear ratios "only" for the most widely used motor types. Gear ratios will vary depending upon track conditions, driving style, and personal preference. Generally, you should not increase the pinion gear size more than one tooth greater than the starting size.

RC18LM Gear Ratio Chart

Part#	Model	Battery	Pinion	Spur	Final Drive Ratio	Rollout (mm)
910	5000kV	7.2V - 7.4V	14	60	8.57	17.77
911	5500kV	7.2V - 7.4V	14	60	8.57	17.77
912	6100kV	7.2V - 7.4V	13	60	9.23	16.50
913	7000kV	7.2V - 7.4V	12	60	10.00	15.23
914	8000kV	7.2V - 7.4V	11	60	10.90	13.98
915	9500kV	7.2V - 7.4V	10	60	12.00	12.69
21210	Super 370	7.2V - 7.4V	13	60	9.23	16.50
290	SP 19	7.2V - 7.4V	13	60	9.23	16.50
291	Mini-Mod 17	7.2V - 7.4V	10	60	12.00	12.69
292	Mini-Mod 19	7.2V - 7.4V	12	60	10.00	15.23

Formulas:

Internal Ratio = 2.0:1

$$\text{Final Drive Ratio} = \frac{\text{Spur} \times \text{Internal Ratio}}{\text{Pinion}}$$

$$\text{RC 18LM Tire Diameter (mm)} = 48.50$$

$$\text{Rollout (mm)} = \frac{3.14 \times \text{Tire Diameter (mm)}}{\text{Final Drive Ratio}}$$

Warning: The use of motors over 5000kV and and/or batteries over 7.4V may require the installation of Factory Team ball diff kits (front and rear) and a Factory Team Slipper Shaft Assembly. These parts are race tested for strength and durability and are capable of handling the power output of high kV brushless motors and 11.1V LiPo batteries.

Set The Gear Mesh

You should be able to rock the spur gear back and forth in the teeth of the pinion gear without making the pinion gear move. If the spur gear mesh is tight, then loosen the screws and move the motor away, then try again. A gear mesh that is too tight or too loose will reduce power and damage the gear teeth.

MAINTENANCE

Check For Fit

Periodically check all moving suspension parts. Suspension components must be kept clean and move freely without binding to prevent poor and/or inconsistent handling.

Brushed Motor Maintenance - Closed Endbell (Kit motor)

Brush off any dirt and debris from motor. Oil the bushings.

Brushed Motor Maintenance - Open Endbell

Brushed motors require frequent maintenance to keep performance levels at their maximum. Between runs and after letting the motor cool completely, inspect the brushes to ensure that they are moving freely in their holders. Remove the springs and slide the brushes in and out of their holders checking for any resistance or rough spots. If found, remove the brush and carefully wipe it clean. Removing buildup will allow the brush to slide freely and create maximum contact with the commutator resulting in maximum power output.

After every 3-5 runs, remove the brushes from their holders and inspect the tips for wear or burning. If there is noticeable wear (less than 75% of the brush remaining), replace the brush with a new pair. If the tips become a burned blue color, the lubricant in the brush has been burned away and new brushes should be installed.




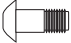




Occasionally, the motor should be cleaned with a soft brush to prevent dirt build up around the brush hood area and ball bearings. At this time, it is a good idea to add one drop of bushing/bearing oil to each bushing or ball bearing.

Brushless Motor Maintenance

If using a brushless motor, please refer to the motor manufacturer's guidelines for proper maintenance.

:: Hardware - 1:1

button head (bhps)

	M2x3mm (21130)
	M2x9mm (21132)
	M2x12mm (21336)
	M2.5x3mm (21131)
	M2.5x6mm (21133)
	M2.5x9mm (21134)
	M3x5mm (21129)
	M3x8mm (25180)




flat head (fhps)

	M2x6mm (21334)
	M2x8mm (25196)
	M2x12mm (21135)
	M2.5x6mm (21333)
	M3x8mm (25199)
	M3x16mm (25204)

ballstuds

	5mm (21082)
	8mm (21082)

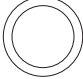
ball bearings

	3x6x2.5mm (21337)
	4x8x3mm (21105)
	8x12x3.5mm (21106)

locknut

	M3 locknut (25215)
--	--------------------

shims

	.324x.409x.005 (21141)
---	------------------------

setscrews

	M3x2.5mm (31500)
	M3x16mm (4689)



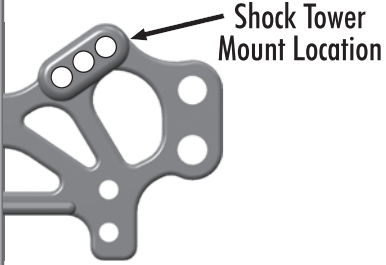
RC18

LATE MODEL

For more setups and setup sheets, click here:
www.RC10.com • www.TeamAssociated.com

Driver: _____ Date: _____
 Track: _____ Indoor Outdoor
 Event: _____
 Conditions: _____
 Additional Comments: _____

Front Suspension

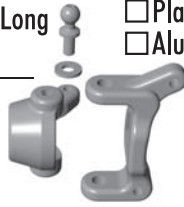


Upright

Ballstud: Short Long
 Ballstud Washers: _____
 Steering Block:
 Plastic
 Aluminum

Caster Block:

Plastic
 Aluminum



Shocks



Piston: _____ Oil: _____ wt
 Spring: _____ Limiters: _____
 Ride Height: _____ mm
 Shock Body: Plastic Threaded Aluminum

Anti-Roll Bar

0.75mm
 1.0mm

Alignment

Camber: _____°
 Inner Camber Shims: _____
 Toe: _____°

Differential

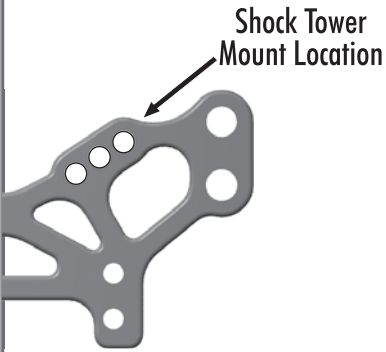
Gear Diff
 Ball Diff Setting: _____

Drivebones

Plastic Dogbones
 MIP CVD's

Notes: _____

Rear Suspension



Upright

Hub Carrier:
 Plastic
 Aluminum



Anti-Squat

Standard - 0°
 Optional - 3.5°



Shocks



Piston: _____ Oil: _____ wt
 Spring: _____ Limiters: _____
 Ride Height: _____ mm
 Shock Body: Plastic Threaded Aluminum

Anti-Roll Bar

0.75mm
 1.0mm

Alignment

Camber: _____°
 Inner Camber Shims: _____

Differential

Gear Diff
 Ball Diff Setting: _____

Drivebones

Plastic Dogbones
 MIP CVD's

Notes: _____

Body & Wing

Body: _____
 Notes: _____

Tires

Front	Rear
Type: _____	Type: _____
Insert: _____	Insert: _____
Wheel: _____	Wheel: _____
Traction Compound: _____	
Notes: _____	

Electronics

Motor: _____ Gear: _____ t/ _____ t
 Motor Brush: _____ Motor Spring: _____
 Motor Timing: _____
 Battery: _____ Position: Fwd Back
 ESC: _____ Mode: _____
 Drag Brake: _____ Initial Brake: _____

Race Comments

Main: _____ Qualifying Position: _____ Finish: _____
 Notes: _____

Car Comments

Notes: _____



Associated Electrics, Inc.

26021 Commercentre Dr.

Lake Forest, CA 92630 USA

<http://www.TeamAssociated.com>

<http://www.RC10.com>

[http://twitter/Team Associated](http://twitter/TeamAssociated)

<http://bit.ly/AEonFacebook>

call: (949) 544-7500 - fax: (949) 544-7501

***Check out the following web sites for all of our kits,
current products, new releases, setup help, tips, and racing info!***

www.TeamAssociated.com. - www.RC10.com