



# SC18

SHORT COURSE

#20120



1:18 Scale Electric 4WD Offroad Race Truck Manual & Catalog

12/09

# TEAM ASSOCIATED



## :: Introduction

Thank you for purchasing this Team Associated product. This manual contains instructions and tips for building and maintaining your new SC18. Please take a moment to read through it and familiarize yourself with these steps. We are continually changing and improving our designs; therefore, actual parts may appear slightly different than the illustrations. New parts will be noted on supplementary sheets located in the appropriate parts bags. Check each bag for these sheets before you start to build.

## :: SC18 Features

- Realistic short course racing truck 0.8mm (0.03") polycarbonate body
- AMT™ Forged style wheels front and rear
- Aggressive tread multi-terrain scale tires
- Realistic bumpers front and rear for maximum durability
- Rubber AE logo mud flaps
- 2.0:1 ratio gearbox equipped with durable gear differential
- Molded composite chassis with sealed drive train
- 2-belt drive system for ultimate durability capable of handling all brushless/lipo combos
- Dual bell crank steering for improved steering feel
- Hinged battery strap for quick battery changes
- Durable front and rear body mounts with adjustable height
- Complete set of 15 steel shielded ball bearings
- Durable fixed length composite turnbuckles
- Improved servo saver for better straight line tracking
- Vertical ball end adjustment front and rear
- Composite shock bodies with molded pre-load clips
- Dog bone front and rear axles
- Fully licensed bodies available as option parts (Lucas Oil, Pro-Comp, Bully Dog, KMC, AE...)

## :: Additional

### :: SC18 RTR

Your new SC18 RTR comes factory assembled including radio gear, motor, ESC, and battery. However, you will need to purchase 8 AA batteries Alkaline or Nimh rechargeable (AE Part # 302, 303) for your transmitter. Please see the Quick Start Guide for installing your AA batteries.

Tools included:

- 4-way wrench
- hex wrenches: (1.5mm, 5/32" [2mm])

**There is a 1:1 fold out  
in the back of the manual.  
Fold it out while building your  
kit for easy hardware sizing!**

## :: Optional

Optional parts and gear to accessorize and maintain your SC18:

- Green Slime shock lube (AE Part# 1105)
- Cyanoacrylate glue
- Thread Locking Compound (AE Part# 1596)
- Silicone Shock Fluid (Refer to catalog for complete listings)
- Body Scissors (AE Part# 1737)
- Reamer / Hole Punch
- FT Hex Wrenches (AE Part# 1541)
- FT Screwdriver Set (AE Part# 1551)
- FT Nut Driver Set (AE Part# 1561)
- Hobby Knife
- Needle Nose Pliers
- Wire Cutters
- Soldering Iron
- Calipers or a Precision Ruler
- SC18 CVD kit (AE Part# 21380)
- FT Ball Differential Kit (AE Part# 21381, 21408)
- FT Anti-Roll Bar Kit (AE Part# 21386)
- FT Graphite Chassis Conversion Kit (AE Part# 21402)
- Titanium Turnbuckle Set w/Ball Cups (AE Part# 21403)
- FT Slipper Shaft Assembly (AE Part# 21405)



\* These Symbols Indicate a special note or instructions.

**Associated Electrics, Inc.**  
26021 Commercentre Dr.  
Lake Forest, CA 92630



**Customer Service**  
Tel: 949.544.7500  
Fax: 949.544.7501

<http://www.TeamAssociated.com> • <http://www.RC10.com> • [http://twitter.com/Team\\_Associated](http://twitter.com/Team_Associated) • <http://bit.ly/AEonFacebook>

## :: Shock Build

### STEP 1

21192 shock piston

21192 x2 e-clip

21192 shock shaft

21181 shock body

21332 x2 shock o-ring

21192 shock body seal cap

(#5422)30wt shock fluid

21189 ball cup, short

Cap should "snap" into place.

Grip shaft (where shown) with needle-nose pliers.

## :: Shock Build (cont.)

### STEP 2

(#5422)30wt shock fluid

21192 shock bladder

Fill to top with oil.

Move shaft up and down to remove air bubbles.

Fill to top with oil.

Install bladder.

## :: Shock Build (cont.)

### STEP 3

21182 shock cap

21191 ride height clips

21191 upper spring perch

**Front** 21198 spring (blue)

**Rear** 21197 spring (silver)

21191 lower spring retainer

Retain oil as you screw the shock cap on.

**:: Differential Build**

STEP 1

21319 gear diff (sun)

21318 gear diff case

21141 diff shim

21106 bearing (8x12x3.5)

21317 gear diff outdrive

! Outdrive should "snap" into sun gear.

front

21319 gear diff (sun)

21135 x4 M2x12mm fhps

21141 diff shim

21106 bearing (8x12x3.5)

black grease #6588

21318 gear diff case, front (narrow)

! Outdrive should "snap" into sun gear.

21317 gear diff outdrive

rear

21319 gear diff (sun)

21135 x4 M2x12mm fhps

21141 diff shim

21106 bearing (8x12x3.5)

21317 gear diff outdrive

black grease #6588

21407 gear diff case, rear (wide)

**:: Differential Build (cont.)**

STEP 2

21319 x4 gear diff (planet)

! \* Align slots in cross pins.

21319 x2 gear diff cross pin

black grease #6588

front

rear

**Builds Front and Rear Diffs**

**:: Gearbox Install**

STEP 1

front

21130 M2x3mm bhps

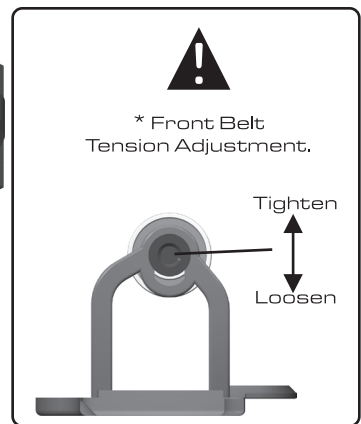
21314 belt tensioner

21337 bearing (3x6x2.5)

21312 front gearbox

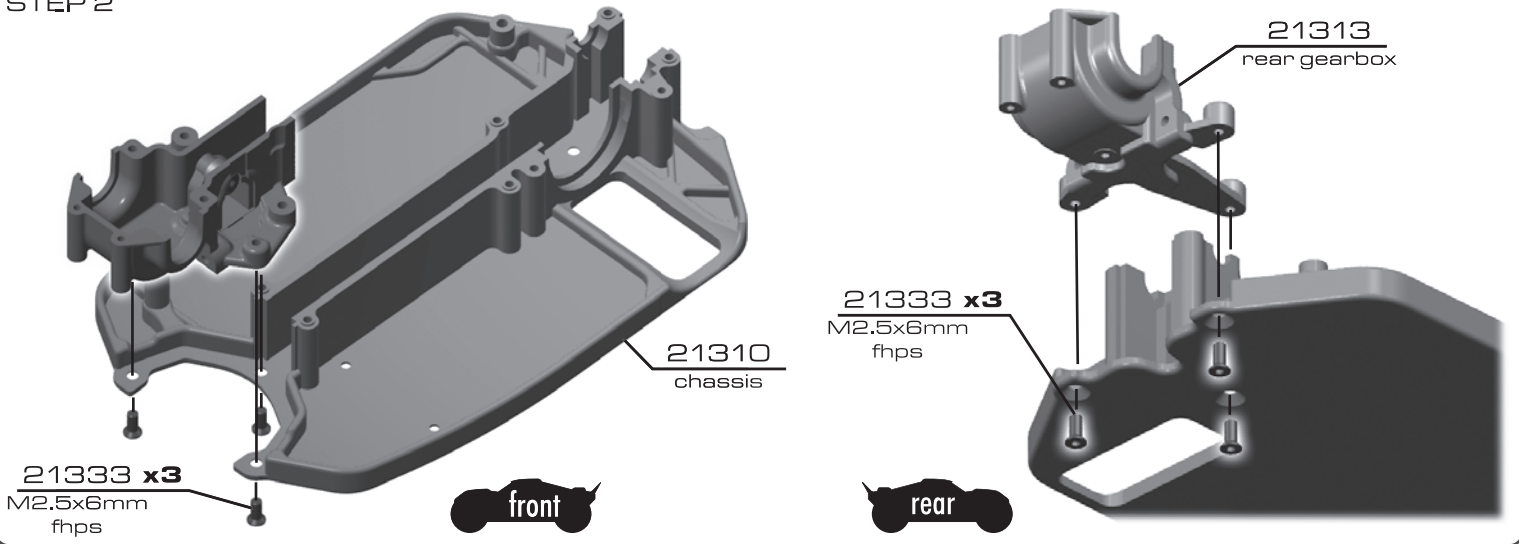
21314 belt tensioner nut

21334 M2x6mm fhps



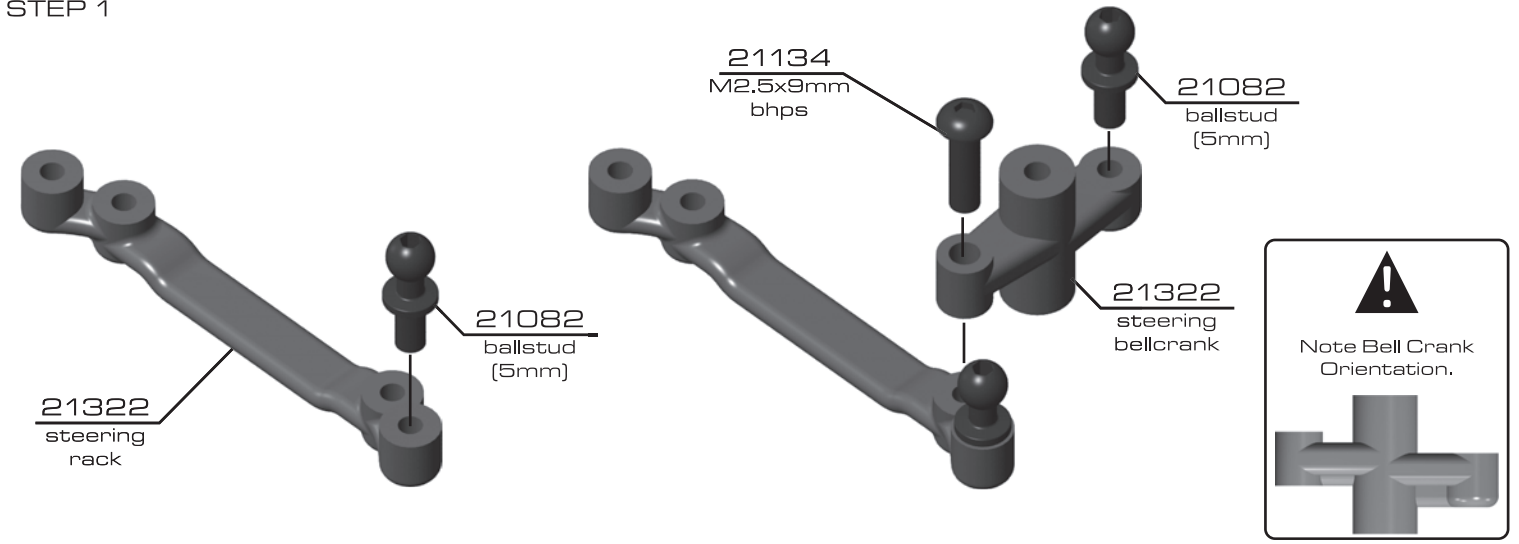
**:: Gearbox Install (cont.)**

STEP 2



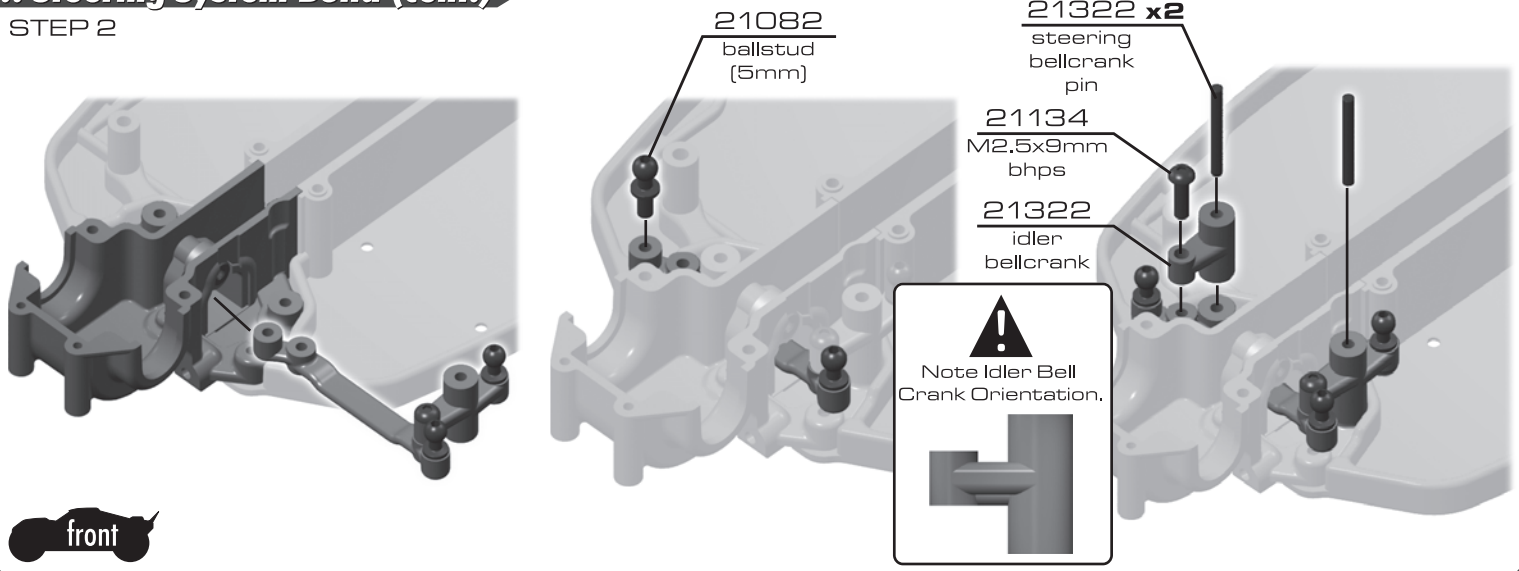
**:: Steering System Build**

STEP 1



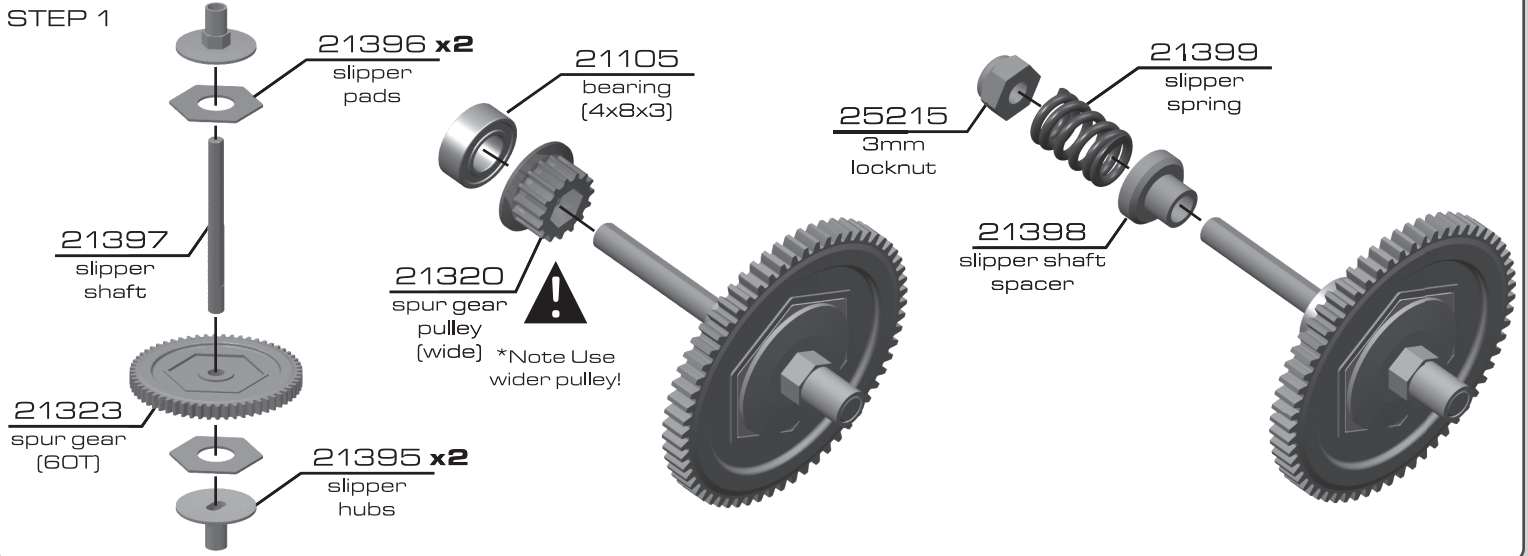
**:: Steering System Build (cont.)**

STEP 2



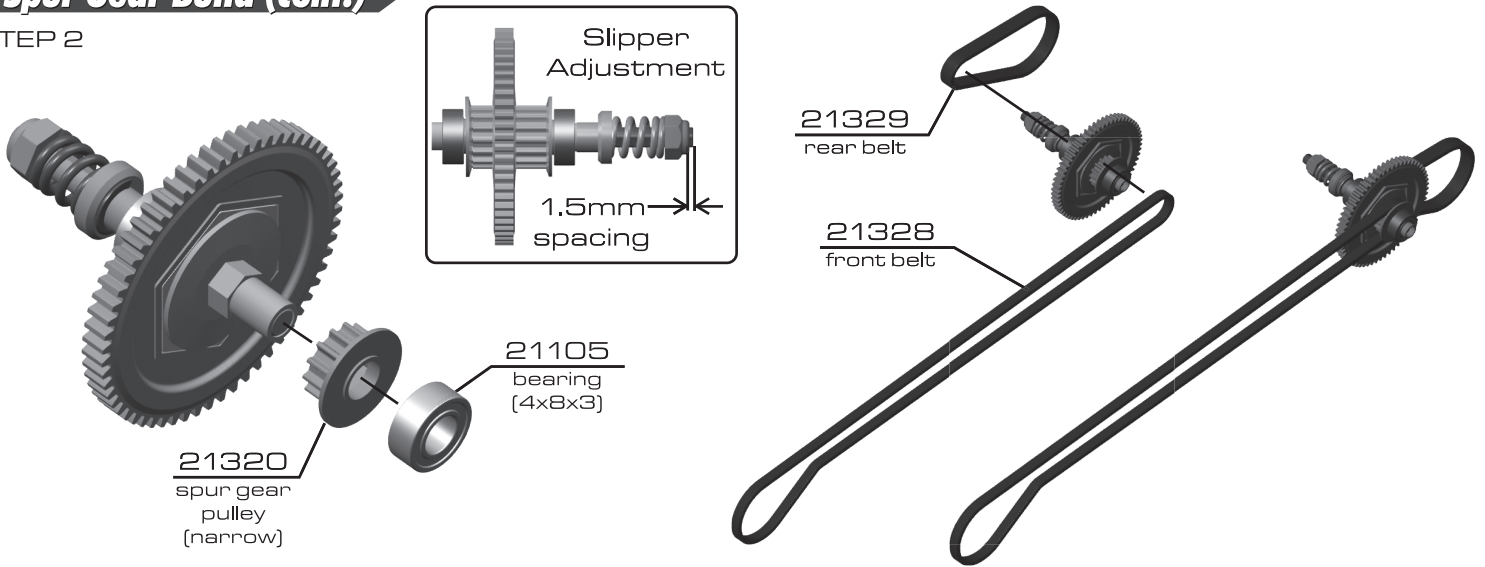
**:: Spur Gear Build**

STEP 1



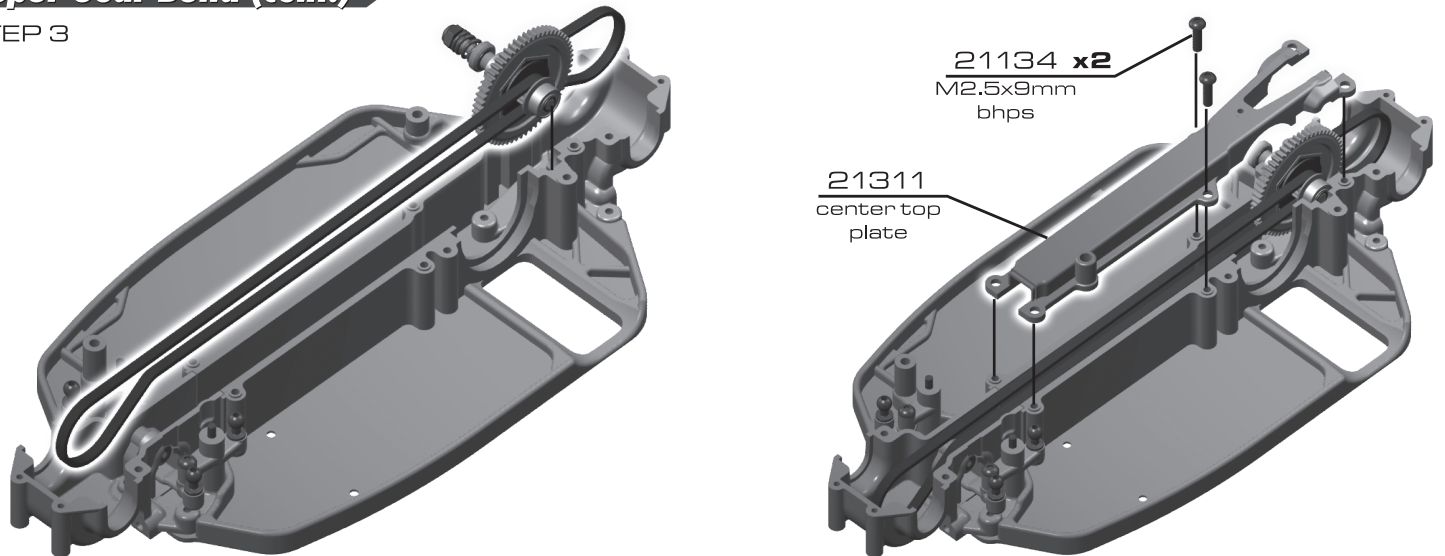
**:: Spur Gear Build (cont.)**

STEP 2



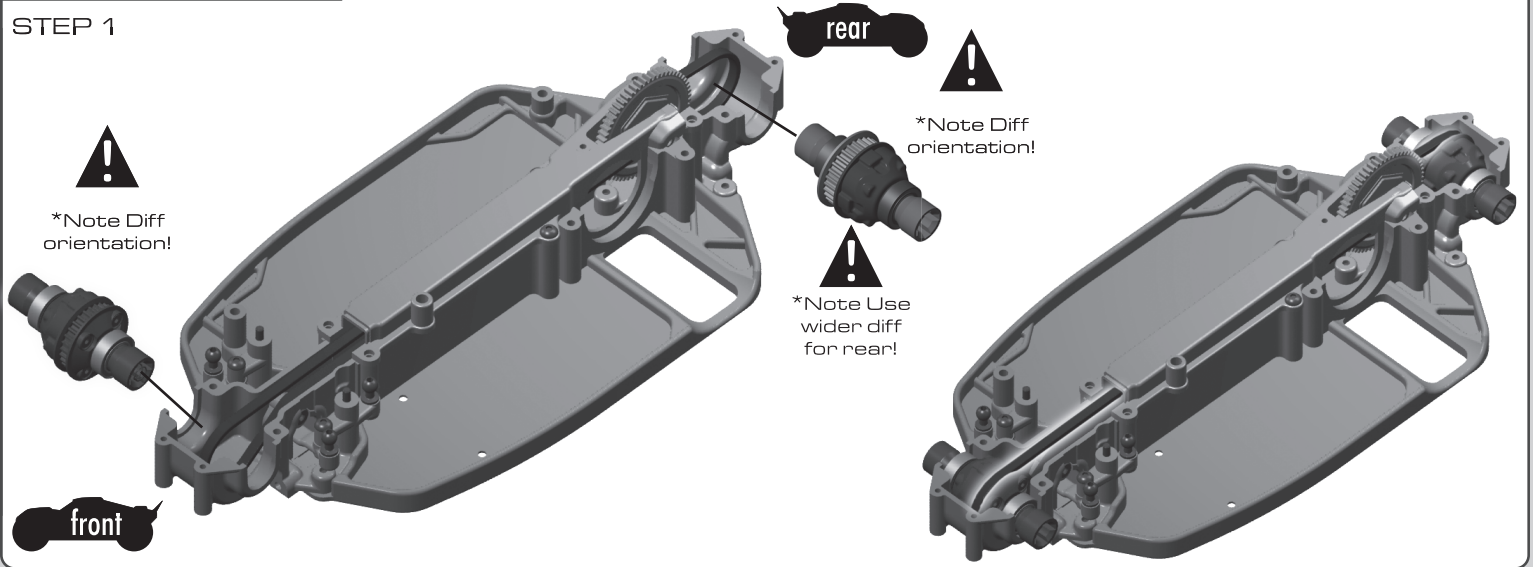
**:: Spur Gear Build (cont.)**

STEP 3



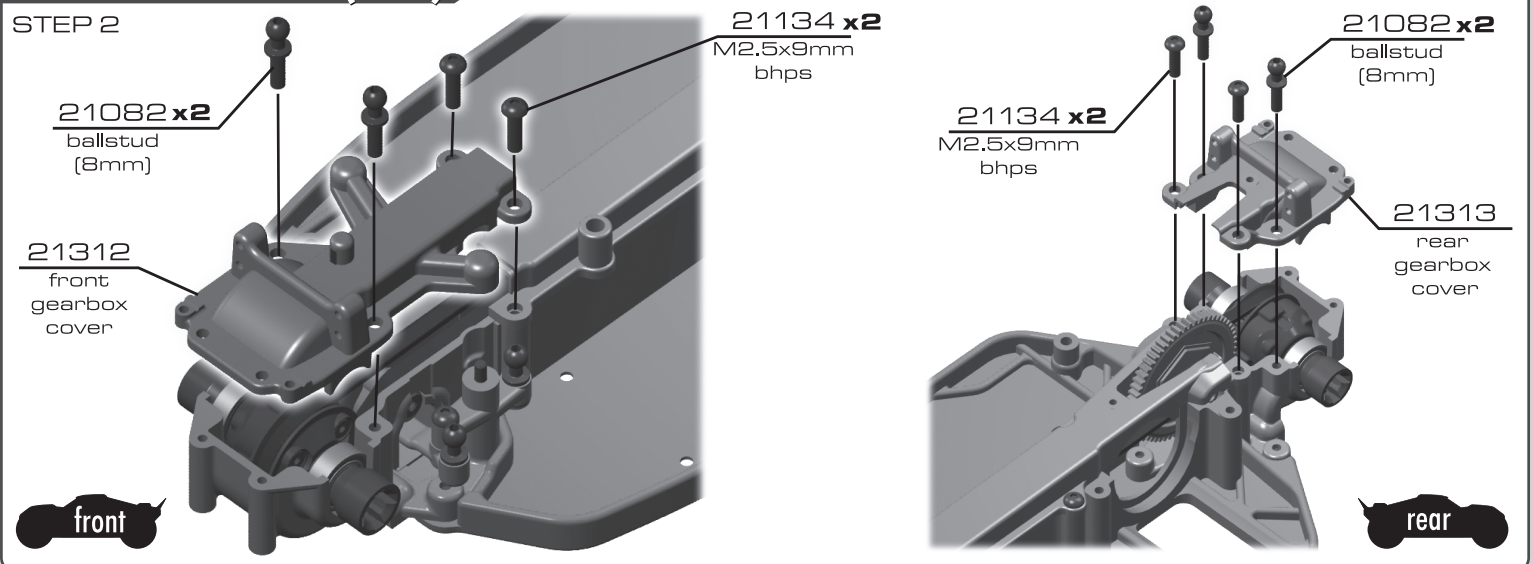
## :: Differential Install

STEP 1



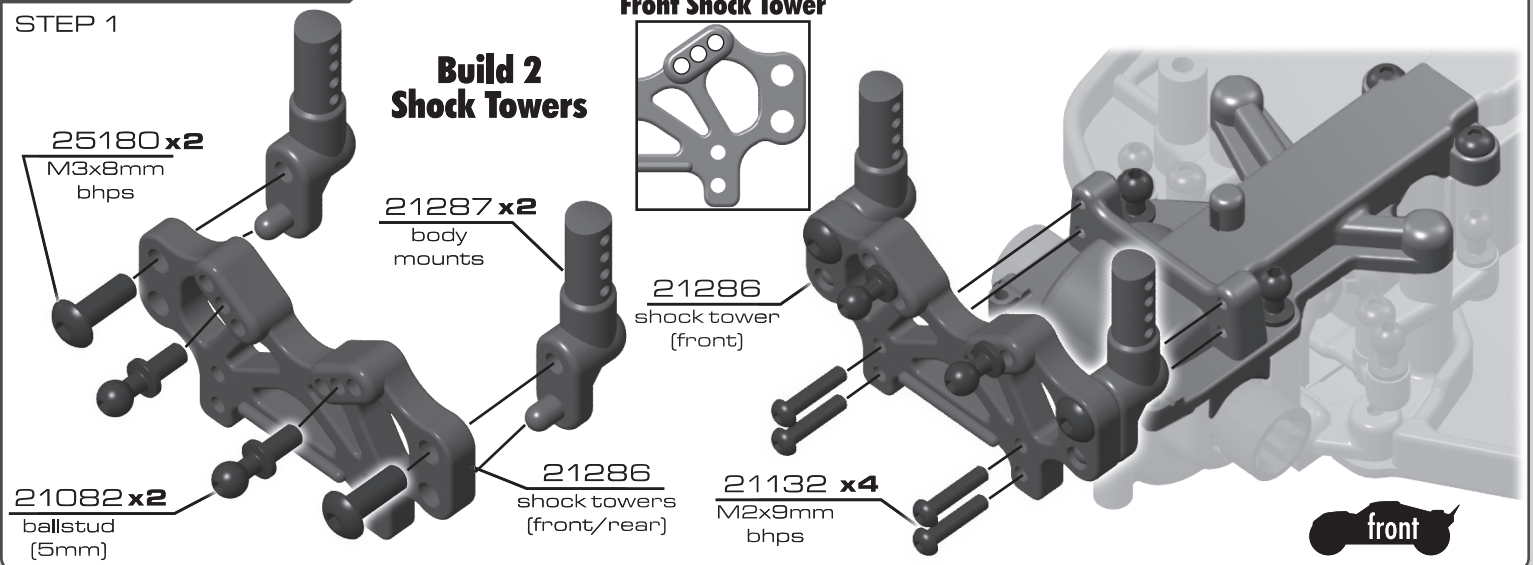
## :: Differential Install (cont.)

STEP 2



## :: Shock Tower Build

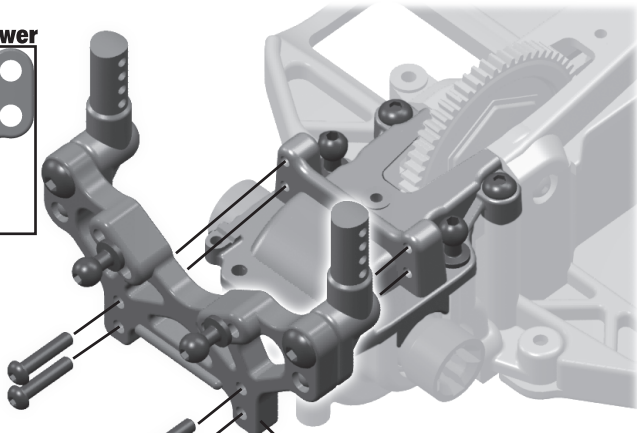
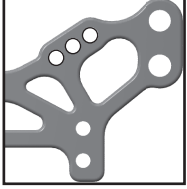
STEP 1



**:: Shock Tower Build (cont.)**

STEP 2

**Rear Shock Tower**



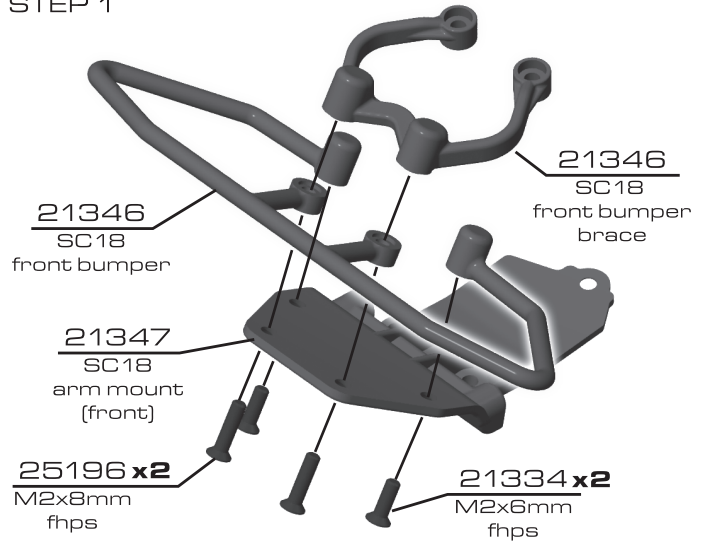
**21132 x4**  
M2x9mm  
bhps

**21286**  
shock tower  
(rear)



**:: Bumpers**

STEP 1



**21346**  
SC18  
front bumper

**21346**  
SC18  
front bumper  
brace

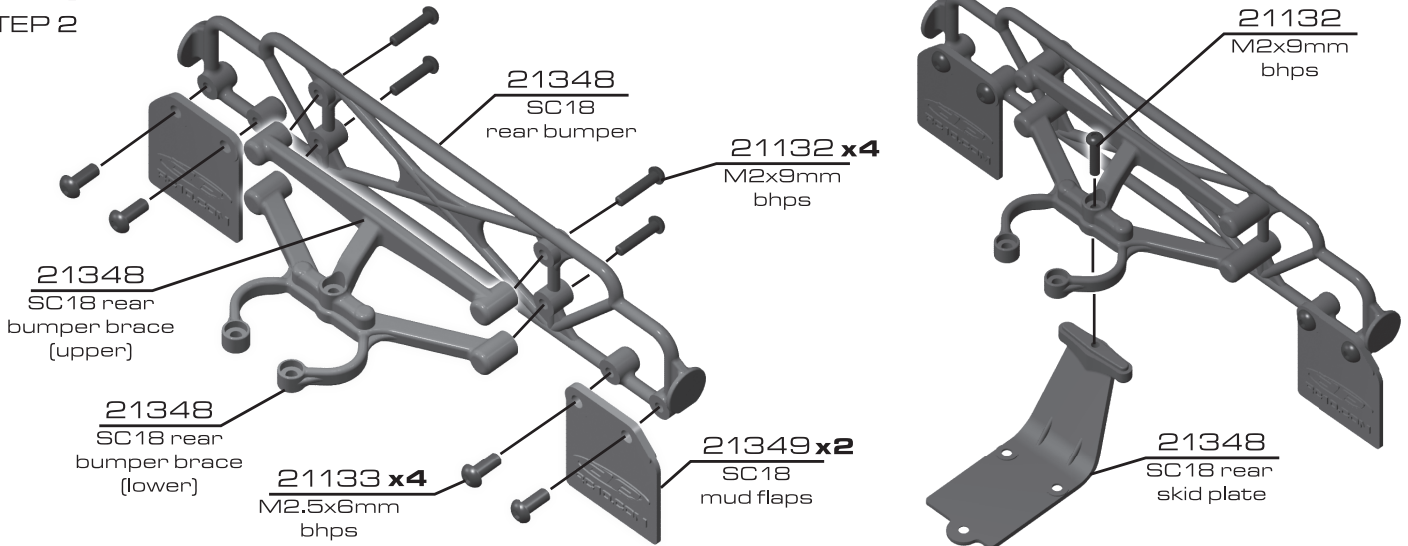
**21347**  
SC18  
arm mount  
(front)

**25196 x2**  
M2x8mm  
fhps

**21334 x2**  
M2x6mm  
fhps

**:: Bumpers (cont.)**

STEP 2



**21348**  
SC18  
rear bumper

**21132 x4**  
M2x9mm  
bhps

**21132**  
M2x9mm  
bhps

**21348**  
SC18 rear  
bumper brace  
(upper)

**21348**  
SC18 rear  
bumper brace  
(lower)

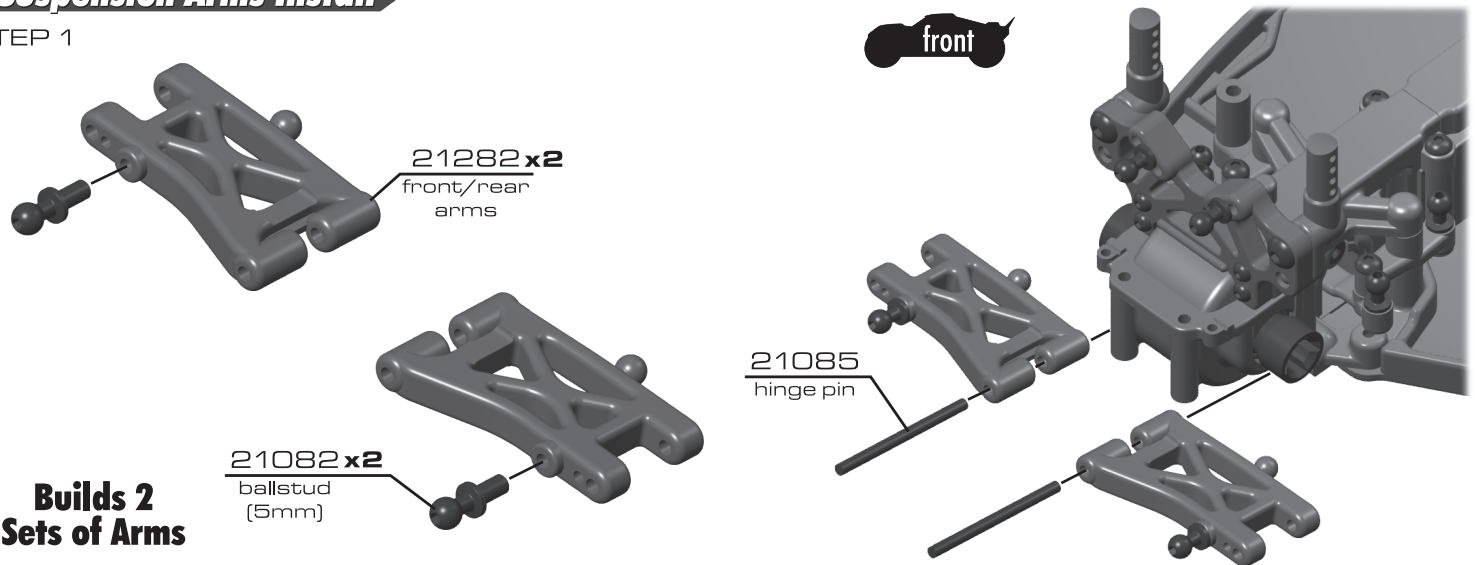
**21133 x4**  
M2.5x6mm  
bhps

**21349 x2**  
SC18  
mud flaps

**21348**  
SC18 rear  
skid plate

**:: Suspension Arms Install**

STEP 1



**21282 x2**  
front/rear  
arms

**21085**  
hinge pin

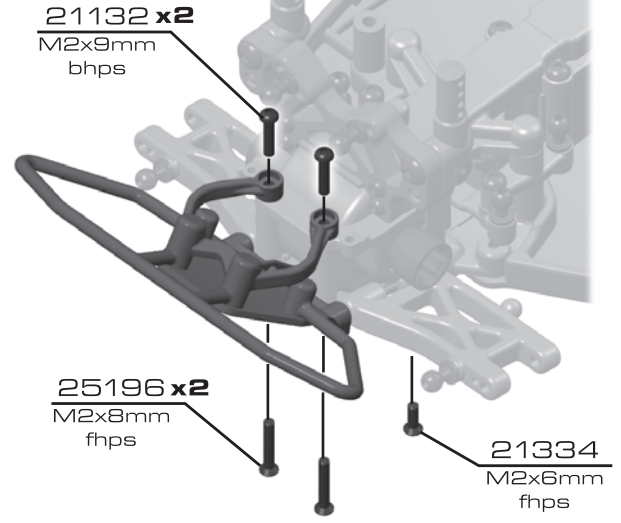
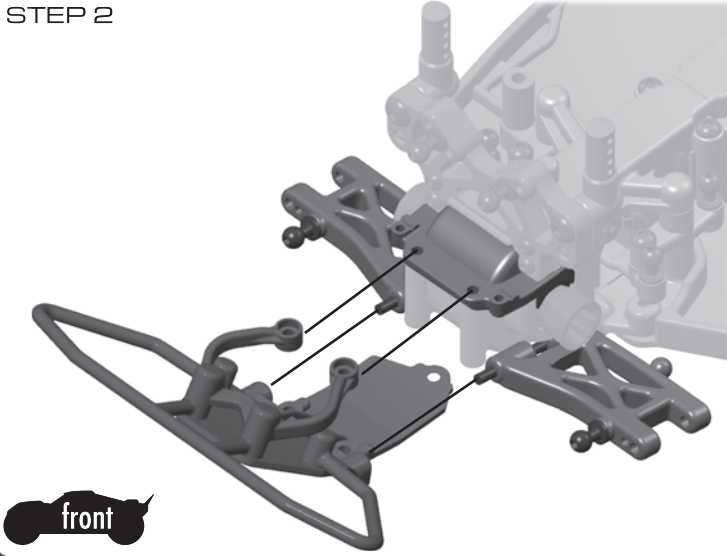
**21082 x2**  
ballstud  
(5mm)

**Builds 2  
Sets of Arms**



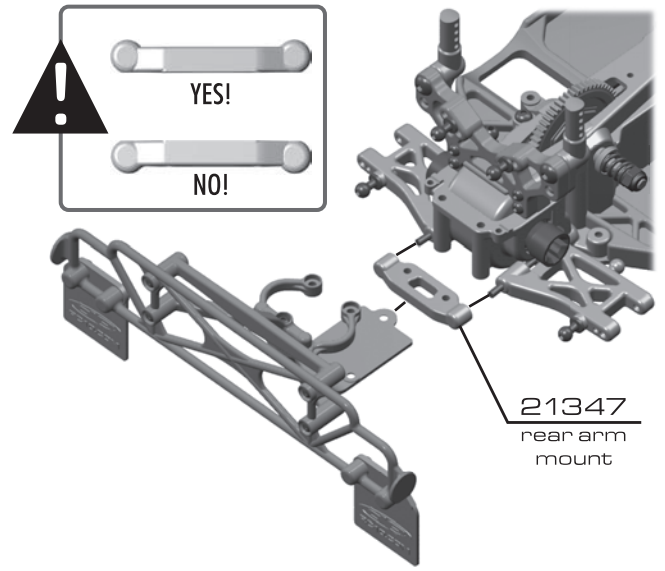
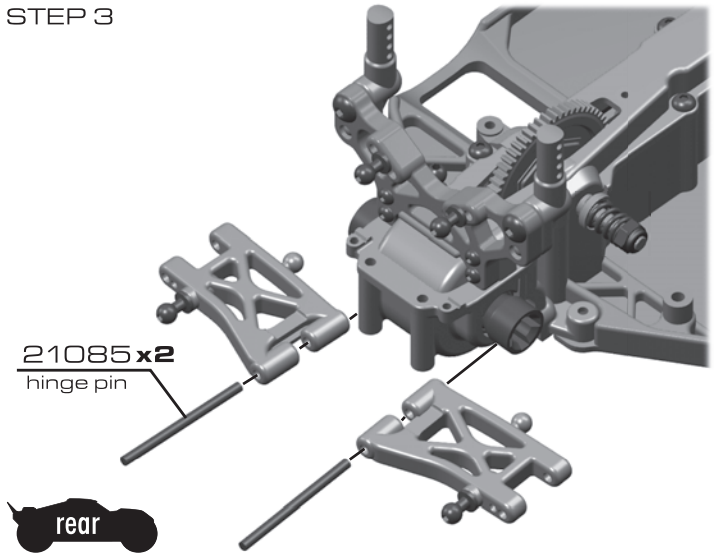
**:: Suspension Arms Install (cont.)**

STEP 2



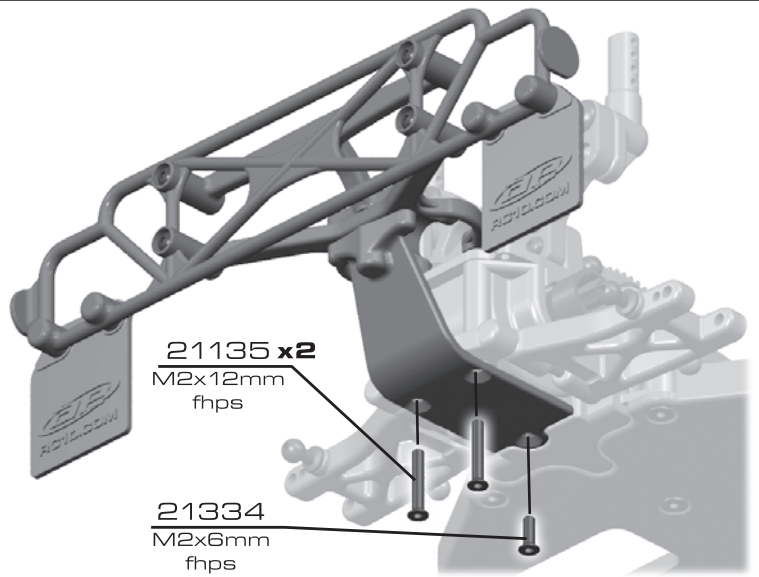
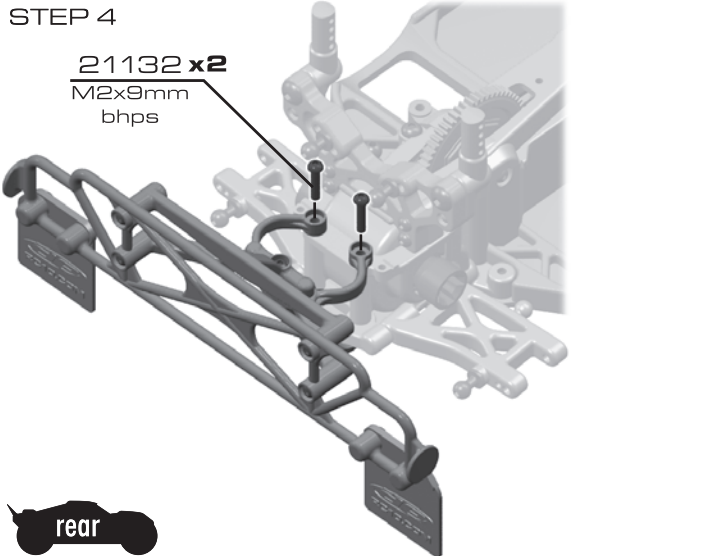
**:: Suspension Arms Install (cont.)**

STEP 3



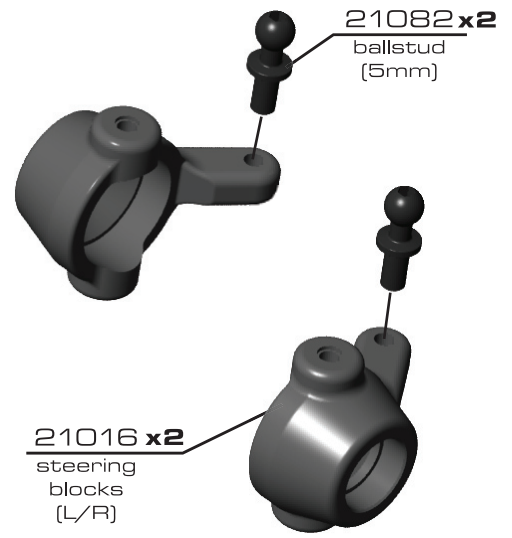
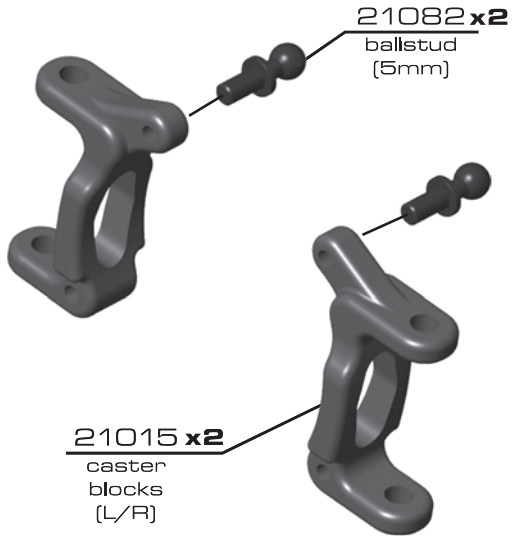
**:: Shock Tower Build**

STEP 4



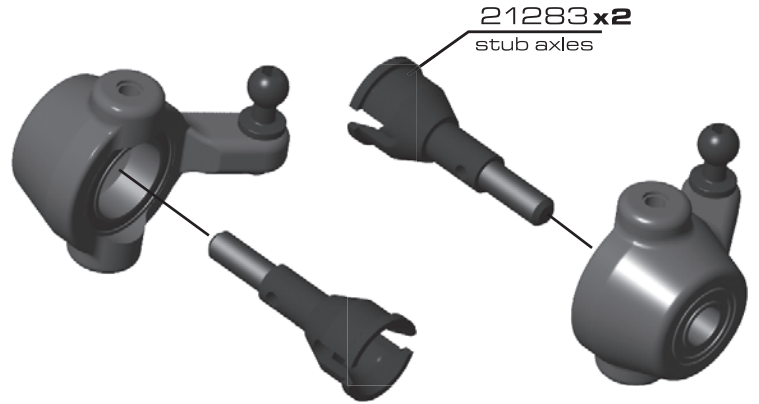
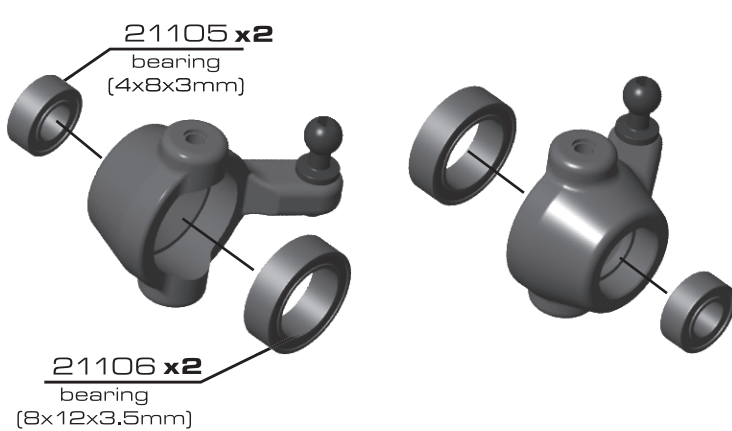
**:: Caster Blocks Build**

STEP 1



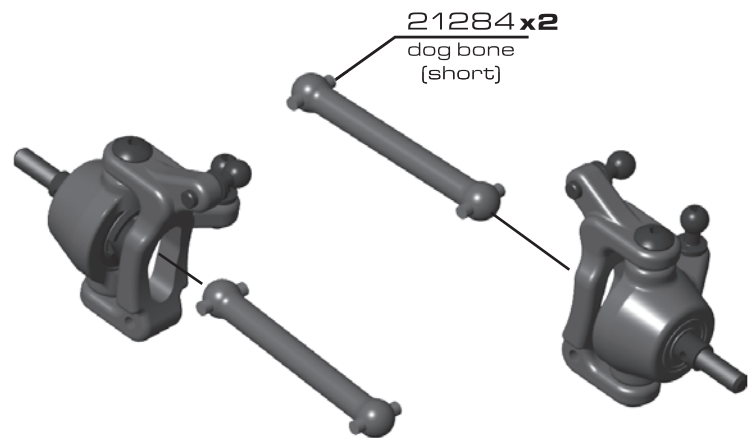
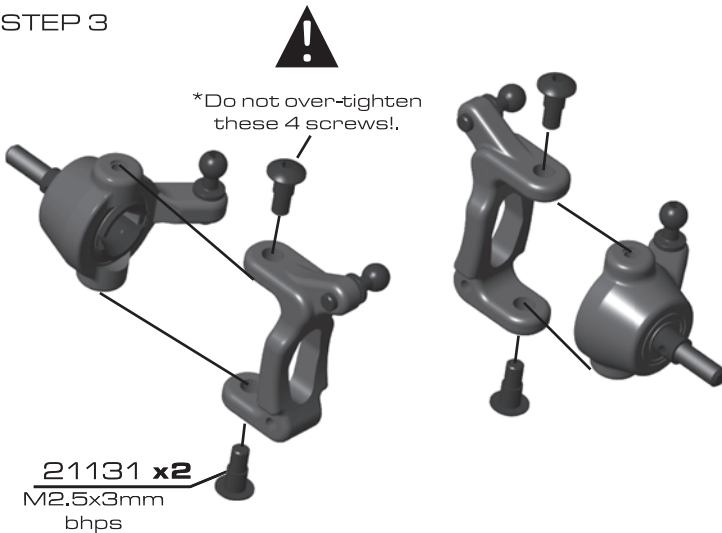
**:: Caster Blocks Build (cont.)**

STEP 2



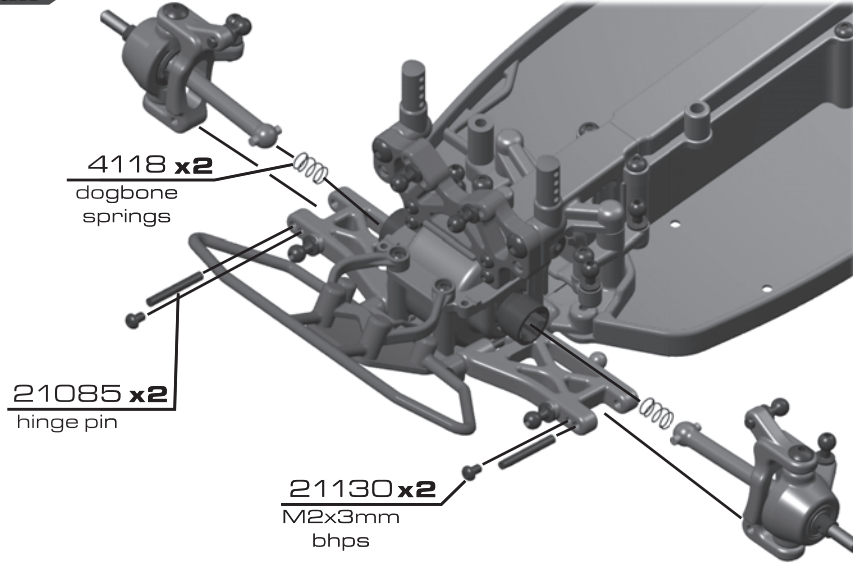
**:: Caster Blocks Build (cont.)**

STEP 3



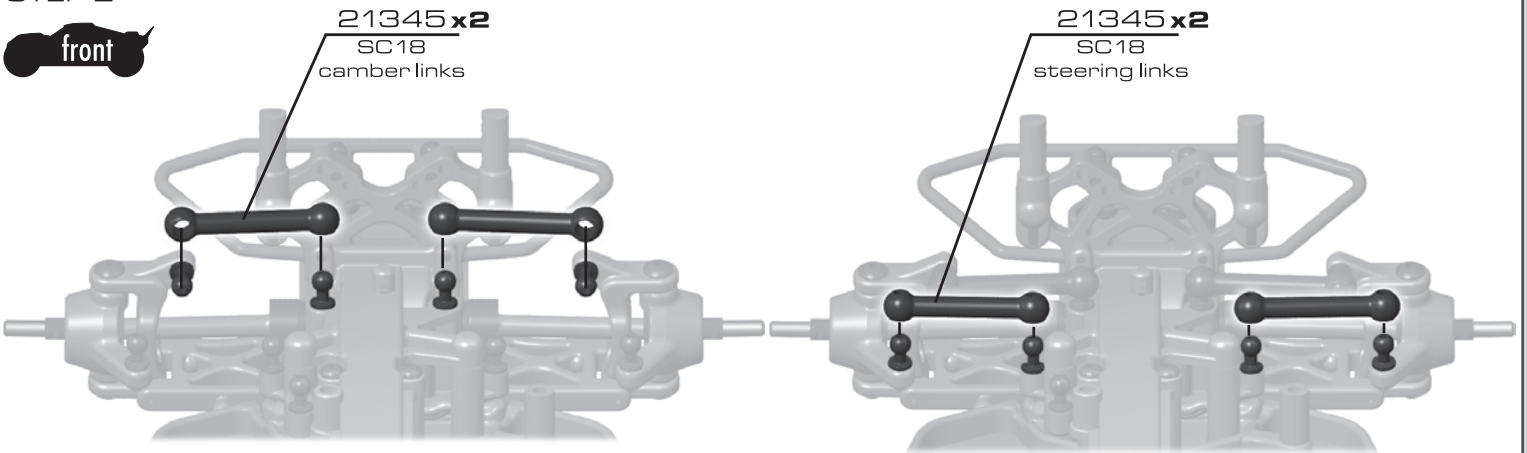
**:: Caster Blocks Install**

STEP 1



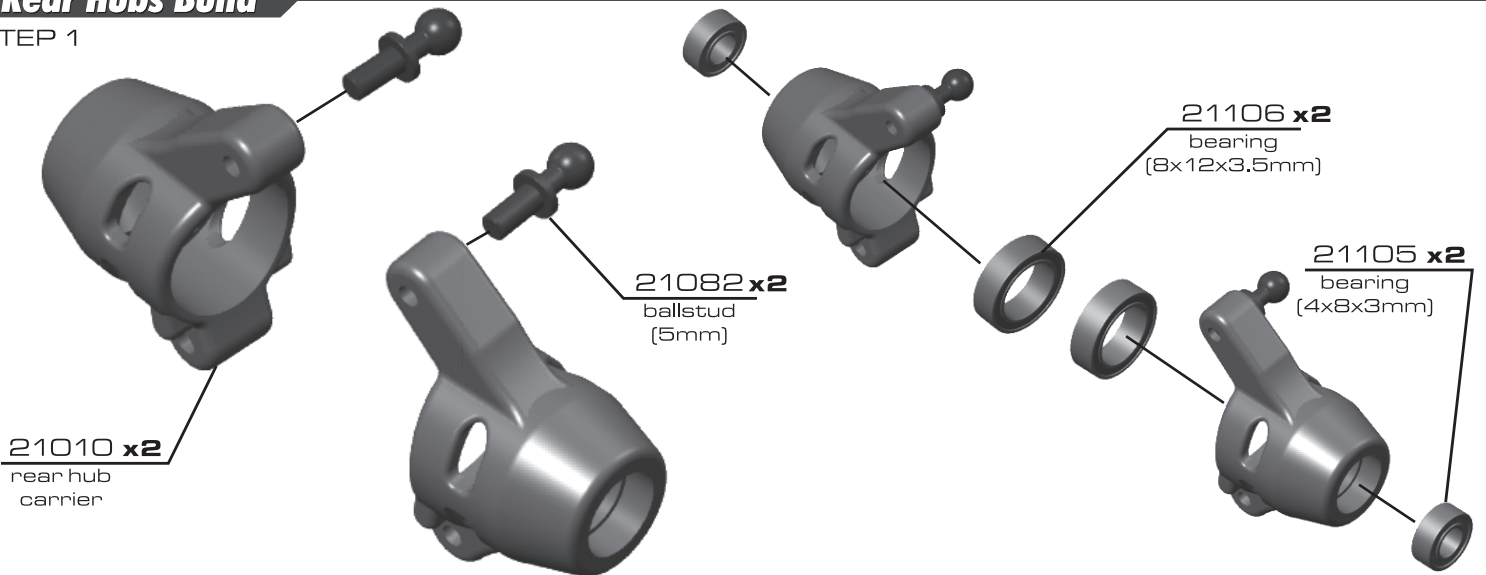
**:: Caster Blocks Install (cont.)**

STEP 2



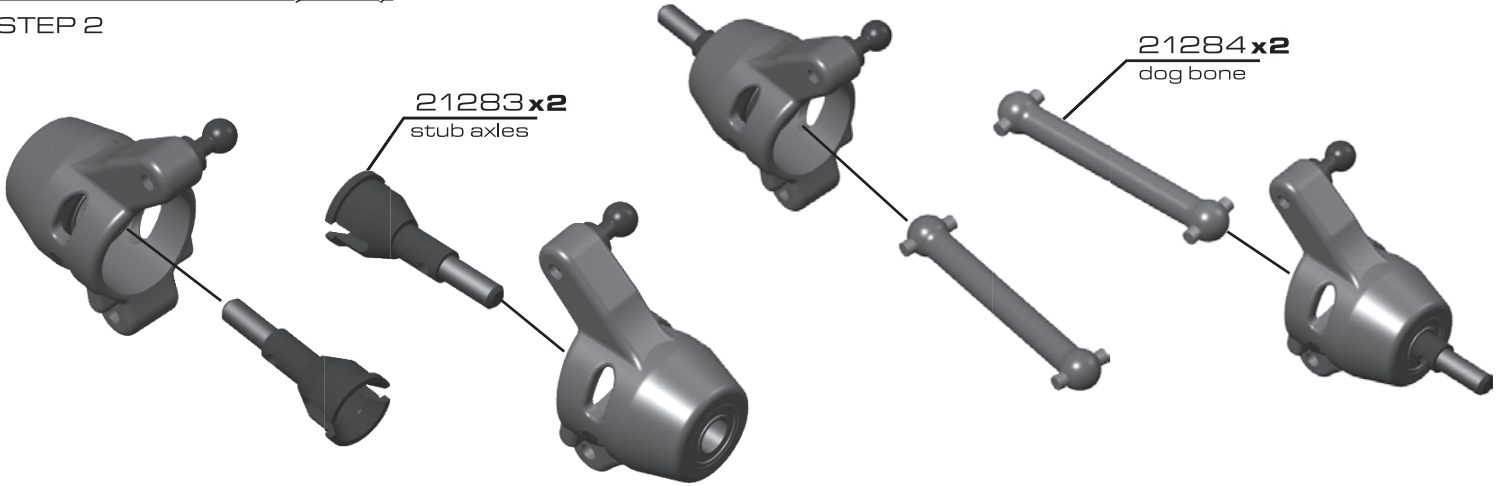
**:: Rear Hubs Build**

STEP 1



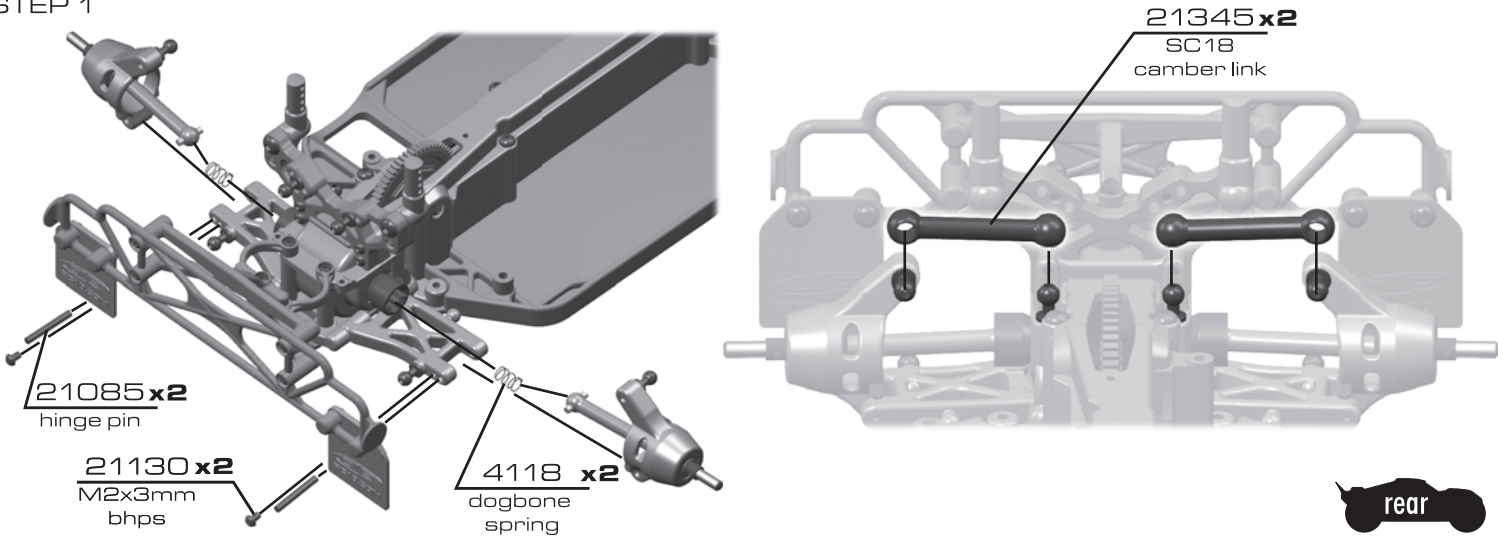
**:: Rear Hubs Build (cont.)**

STEP 2



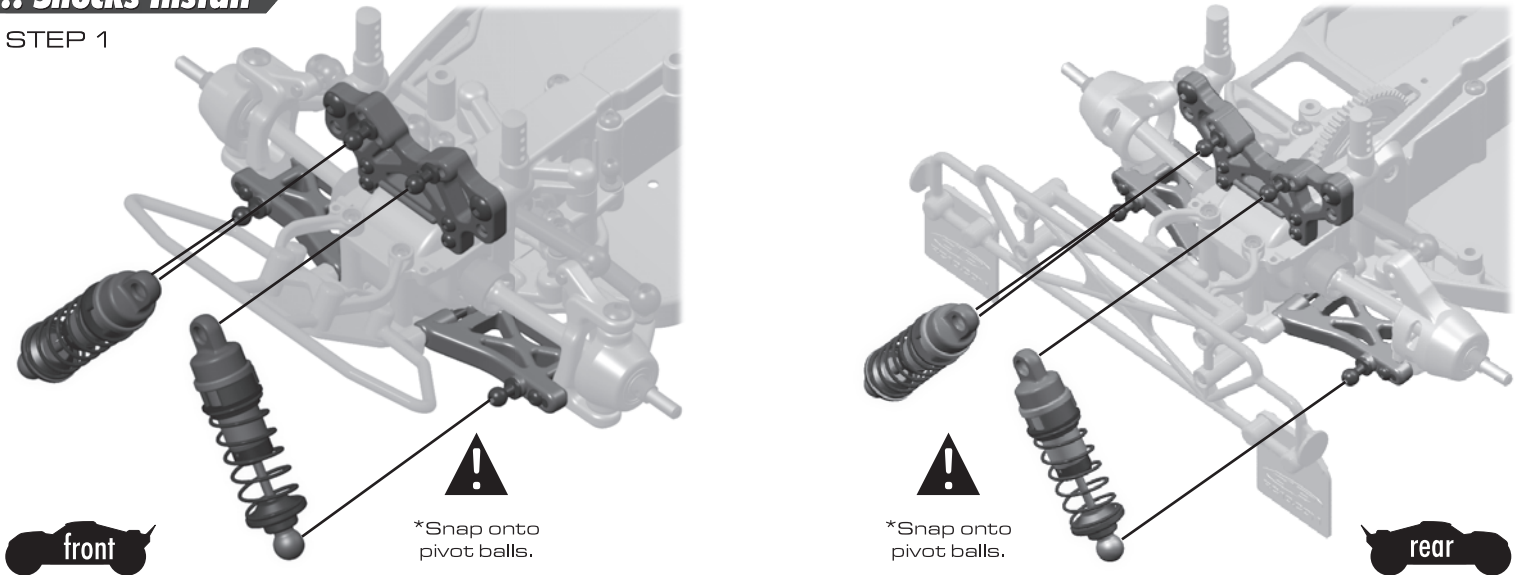
**:: Rear Hubs Install**

STEP 1



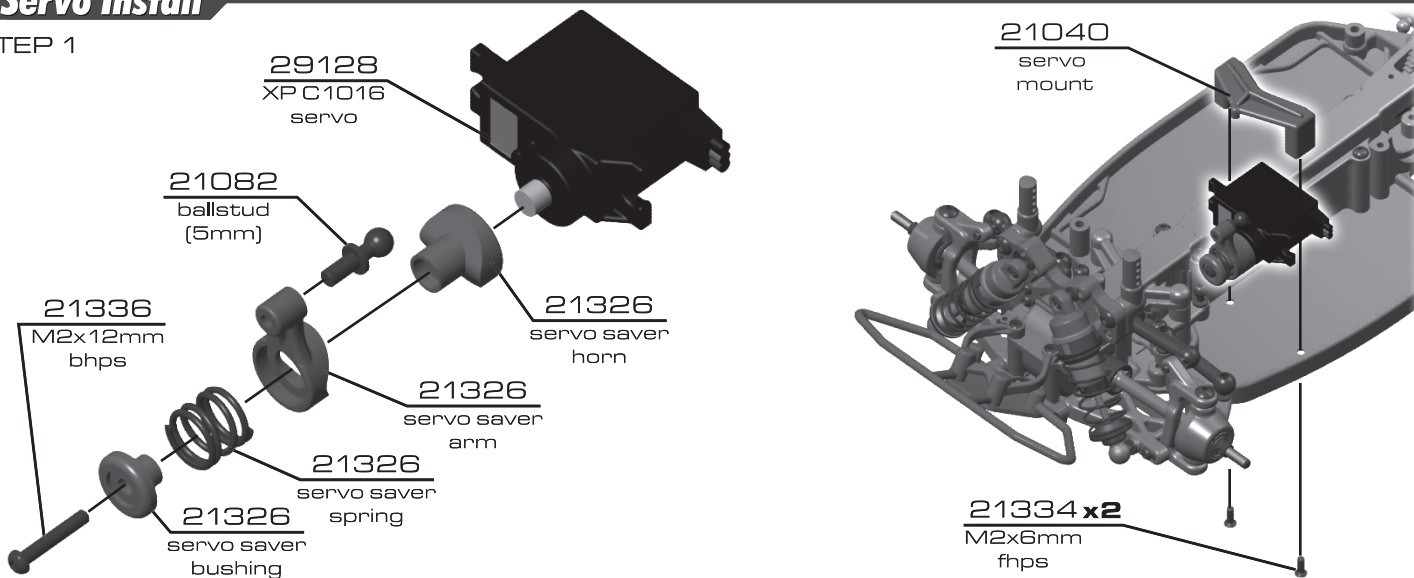
**:: Shocks Install**

STEP 1



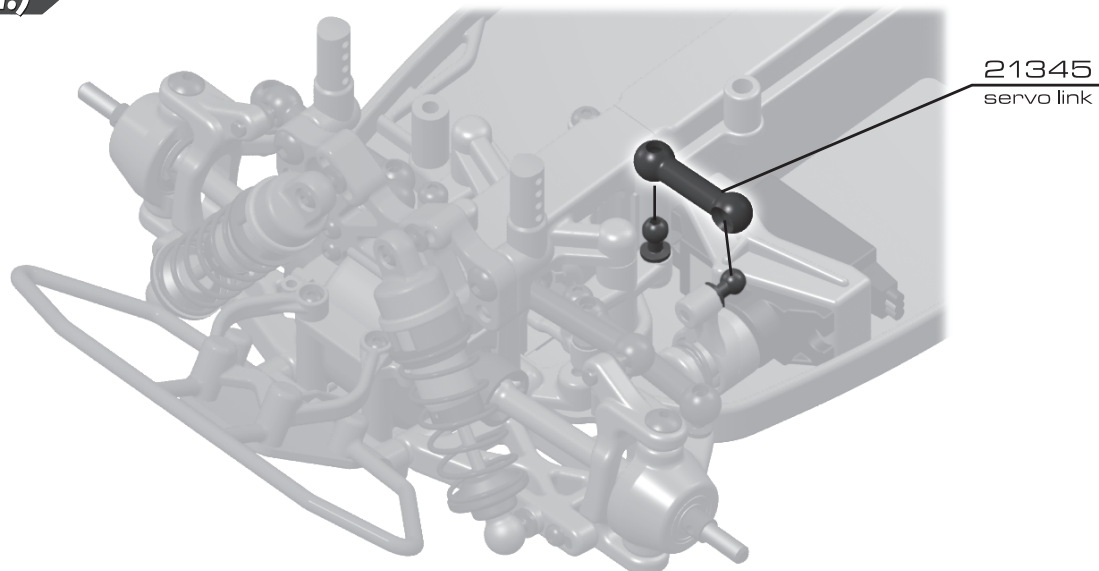
## :: Servo Install

STEP 1



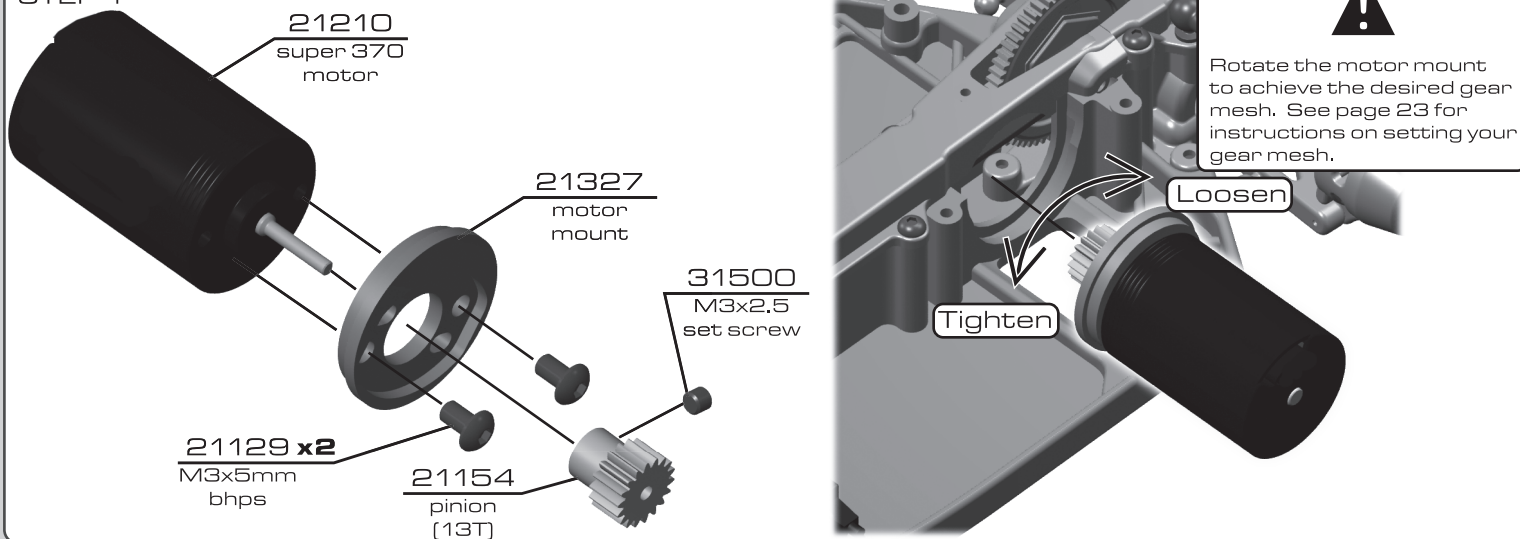
## :: Servo Install (cont.)

STEP 2



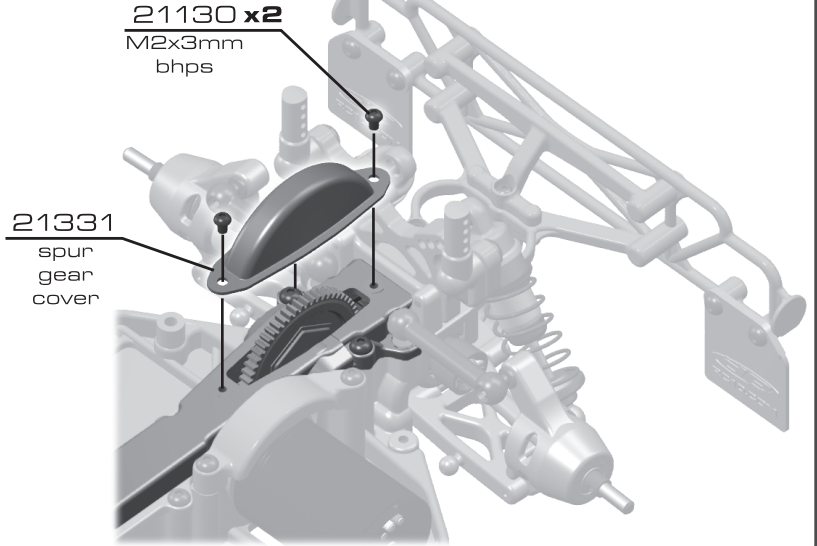
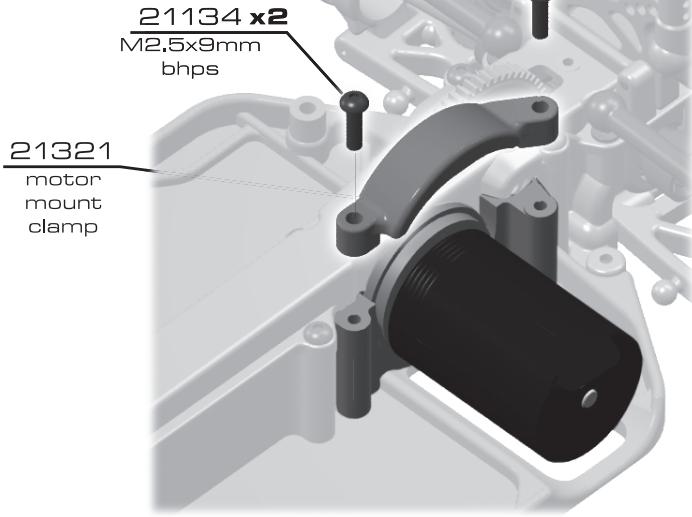
## :: Motor Install

STEP 1



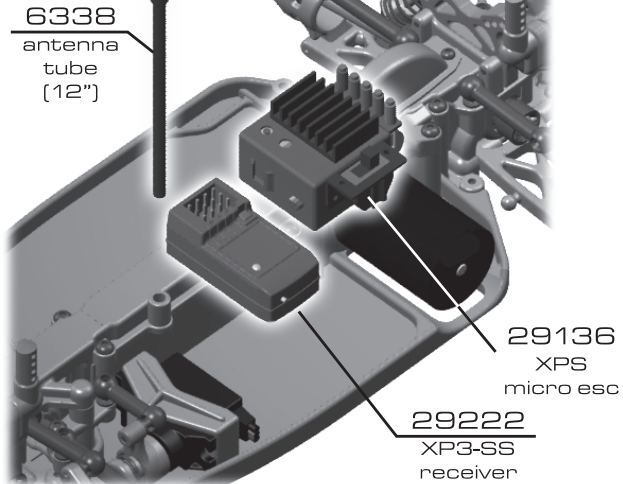
**:: Motor Install (cont.)**

STEP 2



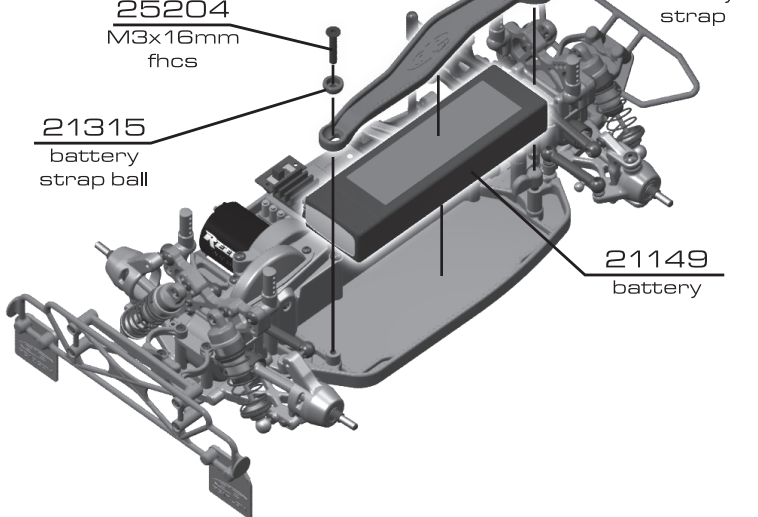
**:: Electronics Install**

STEP 1

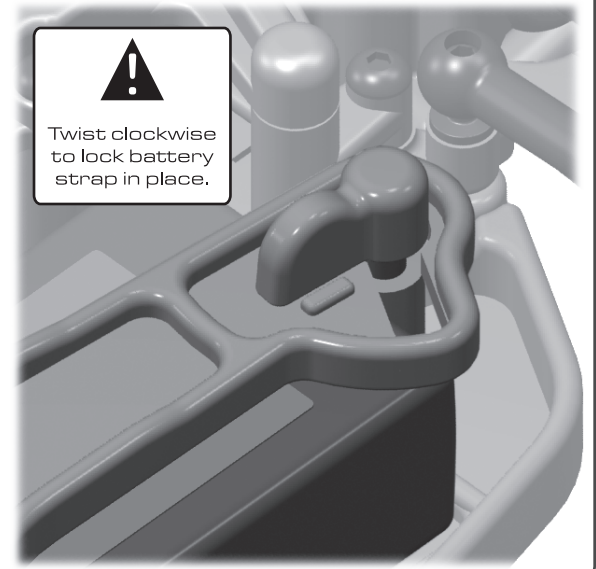


**:: Electronics Install (cont.)**

STEP 2

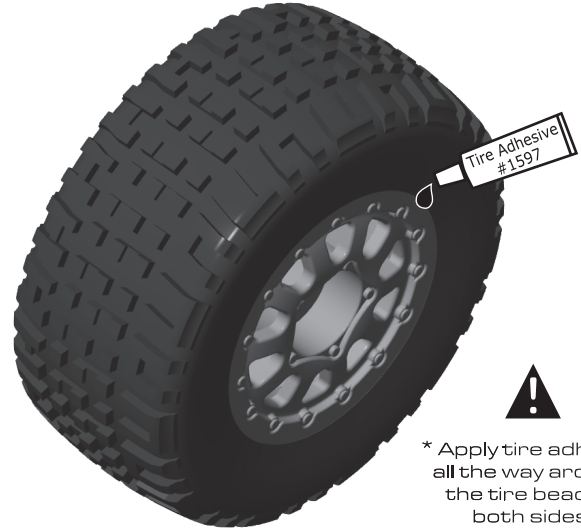
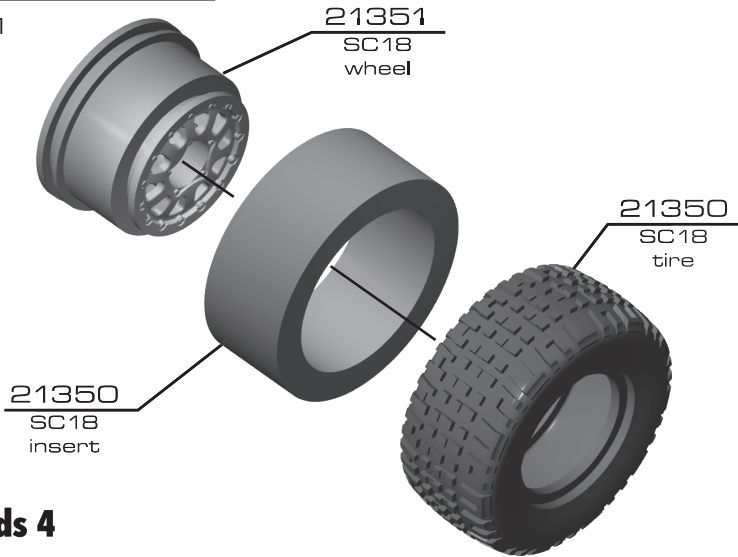


  
Twist clockwise  
to lock battery  
strap in place.



**:: Tires and Wheels**

STEP 1

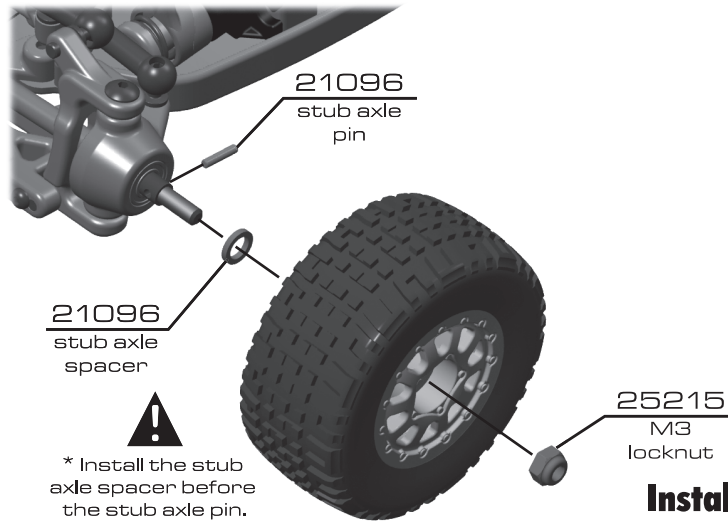


\* Apply tire adhesive all the way around the tire bead on both sides.

**Builds 4**

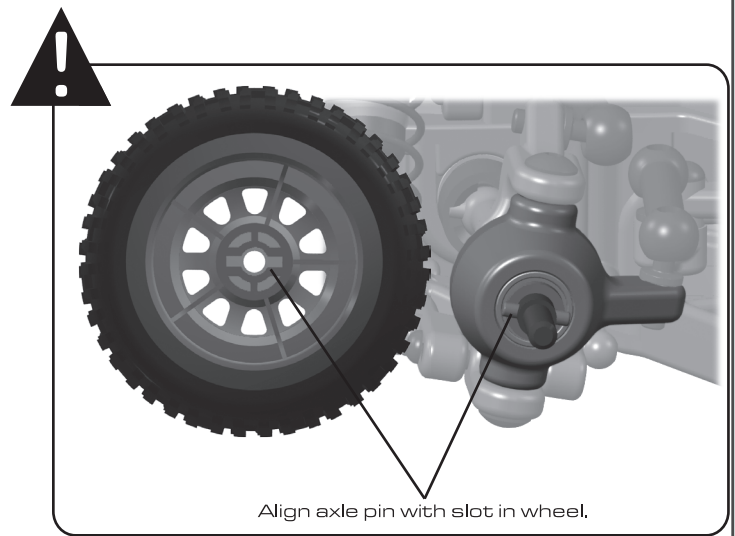
**:: Tires and Wheels (cont.)**

STEP 2



\* Install the stub axle spacer before the stub axle pin.

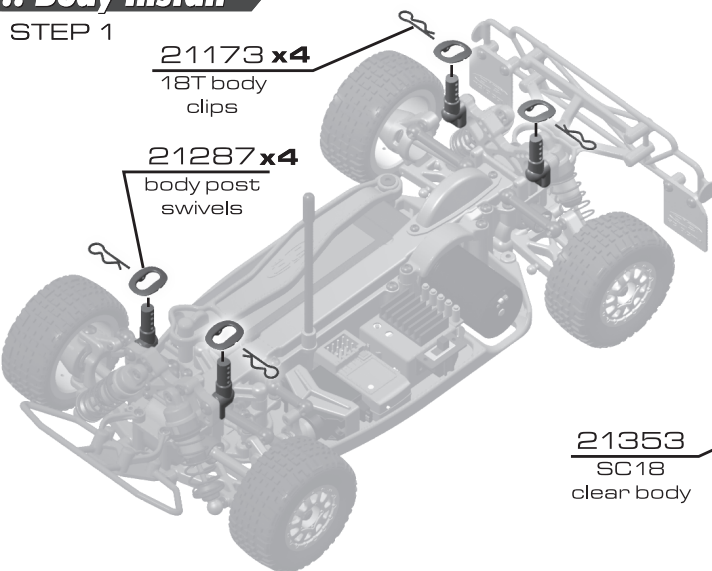
**Install x4**



Align axle pin with slot in wheel.

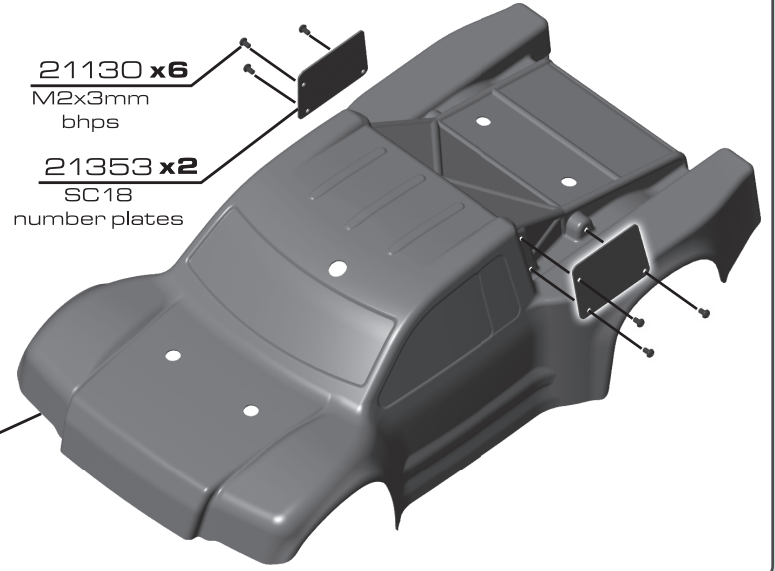
**:: Body Install**

STEP 1



**21173 x4**  
18T body clips

**21287 x4**  
body post swivels



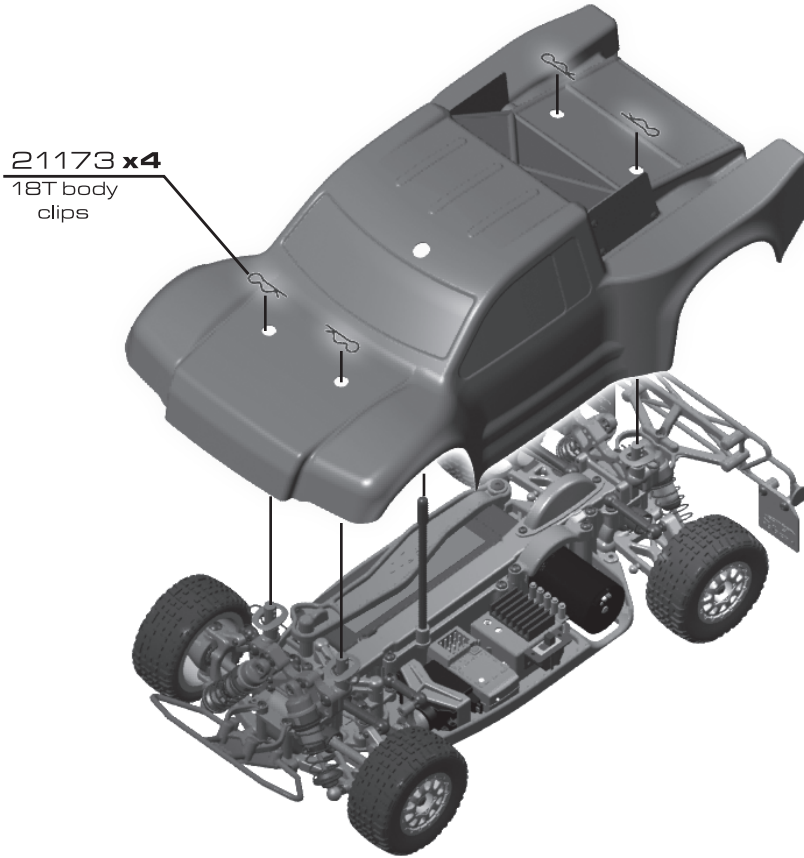
**21130 x6**  
M2x3mm bhrs

**21353 x2**  
SC18 number plates

**21353**  
SC18 clear body

**:: Body Install (cont.)**

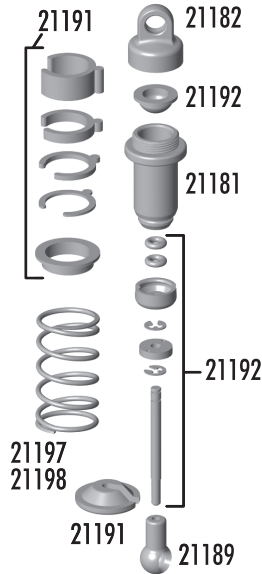
STEP 2



21173 x4  
18T body clips

**:: Shocks**

21181 Shock Body, front, (fr & rr)	Pr.
21182 Shock Caps	4
21184 Shock Kit, front, (fr & rr)	Pr.
21189 Ballcaps, short	12
21191 Shock Accessories	Set
21192 Shock Rebuild Kit, rebuilds 4 shocks	Set
21197 Shock Spring, silver, 2.55 lb/in (Kit)	Pr.
21198 Shock Spring, blue, 3.0 lb/in (Kit)	Pr.
21199 Shock Spring, gold, 3.45 lb/in	Pr.



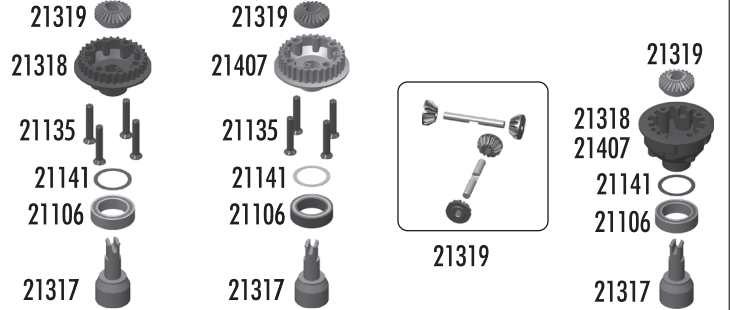
**:: Shock Oil**

5420 10 Weight Silicone Shock Oil	2oz.
5421 20 Weight Silicone Shock Oil	2oz.
5422 30 Weight Silicone Shock Oil	2oz.
5423 40 Weight Silicone Shock Oil	2oz.
5425 80 Weight Silicone Shock Oil	2oz.
5427 15 Weight Silicone Shock Oil	2oz.
5428 25 Weight Silicone Shock Oil	2oz.
5429 35 Weight Silicone Shock Oil	2oz.
5430 45 Weight Silicone Shock Oil	2oz.
5431 55 Weight Silicone Shock Oil	2oz.
5435 50 Weight Silicone Shock Oil	2oz.
5436 60 Weight Silicone Shock Oil	2oz.
5437 70 Weight Silicone Shock Oil	2oz.



**:: Gear Differential**

21106 Bearings, 8x12x3.5mm rubber sealed	Pr.
21135 M2x12mmFHPS	20
21141 Shim Set, .324x.409x.005	4
21317 Gear Diff Outdrives	2
21318 Gear Diff Case, Front (narrow)	Set
21319 Internal Diff Gears	Set
21335 Complete Gear Diff, Front	1
21406 Complete Gear Diff, Rear	1
21407 Gear Diff Case, Rear (wide)	Set



**:: Lubes and Adhesives**

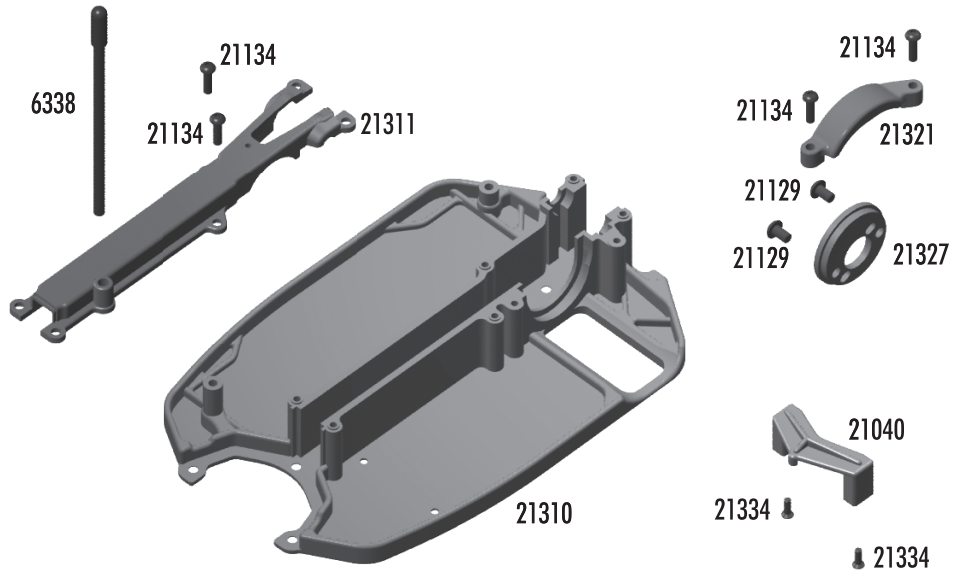
1105 Green Slime Shock Lube	4cc
1596 FT Locking Compound	10ml
6588 Black Grease	4cc
6591 Diff Lube	4cc
6636 Silicone Grease	4cc
6727 Servo Tape Strips	2





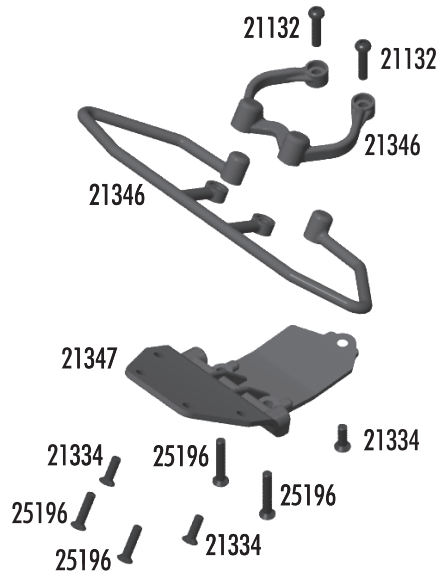
**:: Chassis**

6338	Antenna tube and cap, 12"	1
21040	Servo Mount	1
21129	M3x5mm BHPS, (motor screws)	20
21134	M2.5x9 BHPS	20
21310	Chassis	1
21311	Center Top Plate	1
21321	Motor Mount Clamp	1
21327	Motor Mount	1
21334	M2x6mm FHPS	20



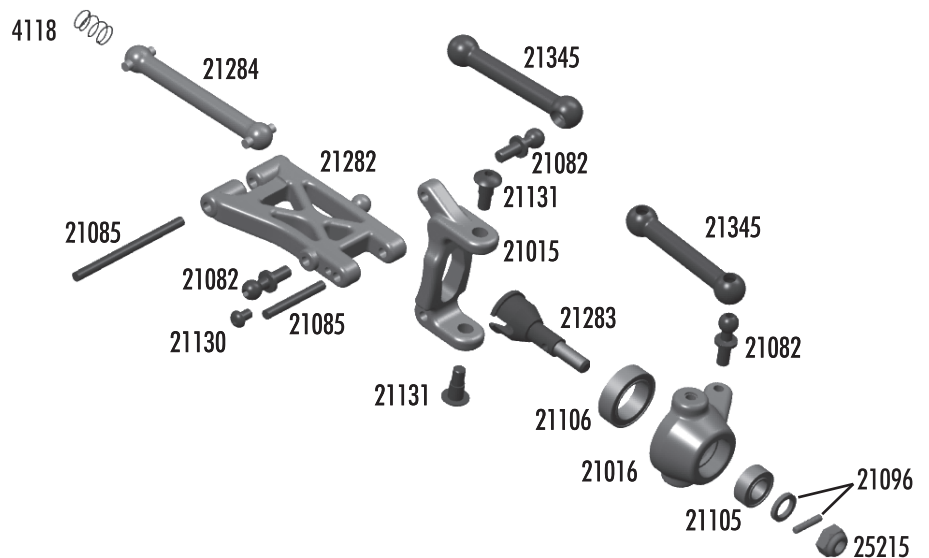
**:: Front Bumper**

21132	M2x9mm BHPS	20
21334	M2x6mm FHPS	20
21346	SC18 Front Bumper / Brace	Set
21347	SC18 Arm Mounts FR / RR	Set
25196	M2x8mm FHPS	20



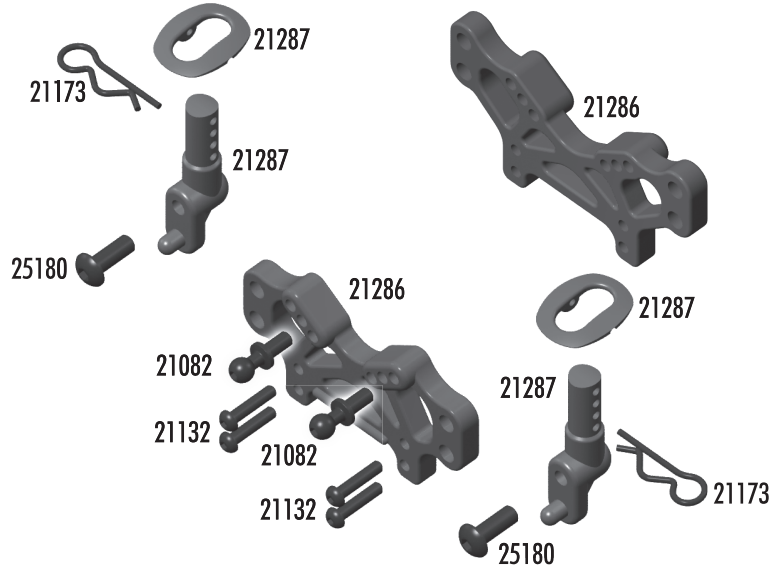
**:: Front Arms**

4118	.014 Springs	2
21015	Left or Right Caster Blocks	Pr.
21016	Steering Blocks	Pr.
21082	Ballstud Set, Two 8mm and nine 5mm	Set
21085	Hinge Pin Set	Set
21096	Stub Axle Pins & Spacers	Set
21105	Bearings, 4x8x3mm rubber sealed	2
21106	Bearings, 8x12x3.5mm rubber sealed	2
21130	M2x3mm BHPS	20
21131	M2.5x3mm BHPS	4
21282	18R / SC18 Front / Rear Arms	Pr.
21283	18R / SC18 Stub Axles	Pr.
21284	18R / SC18 Dogbones & Springs	Pr.
21345	SC18 Molded Tie Rod Links	Set
25215	M3 Locknut	20



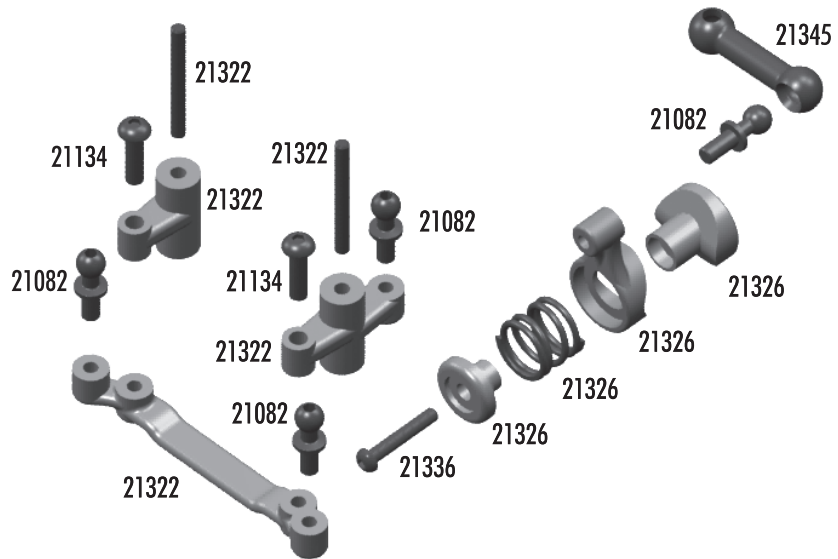
**:: FR / RR Shock Towers**

21082	Ballstud Set, Two 8mm and Nine 5mm	Set
21132	M2x9mm BHPS	20
21173	18T Body Clips	12
21286	18R / SC18 FR/RR Shock Towers	Set
21287	18R / SC18 Body Mounts, includes 4 body posts, 4 swivels, 4 screws	Set
25180	M3x8mm BHPS	20



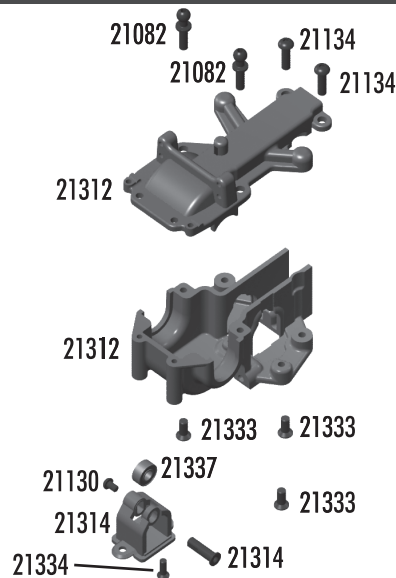
**:: Steering**

21082	Ballstud Set, Two 8mm and Nine 5mm	Set
21134	M2.5x9mm BHPS	20
21322	Steering Rack / Bellcrank	Set
21326	Servo Saver / Horns	Set
21336	M2x12mm BHPS	20
21345	SC18 Molded Tie Rod Links	Set



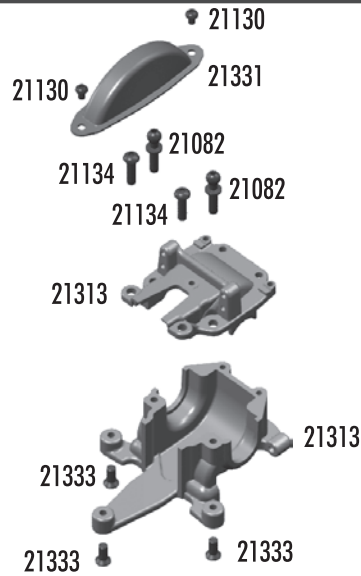
**:: Front Gearbox**

21082	Ballstud Set, Two 8mm and Nine 5mm	Set
21130	M2x3mm BHPS	20
21134	M2.5x9mm BHPS	20
21312	Front Gearbox	Set
21314	Belt Tensioner	Set
21333	M2.5x6mm FHPS	20
21334	M2x6mm FHPS	20
21337	Bearing 3x6x2.5mm	2



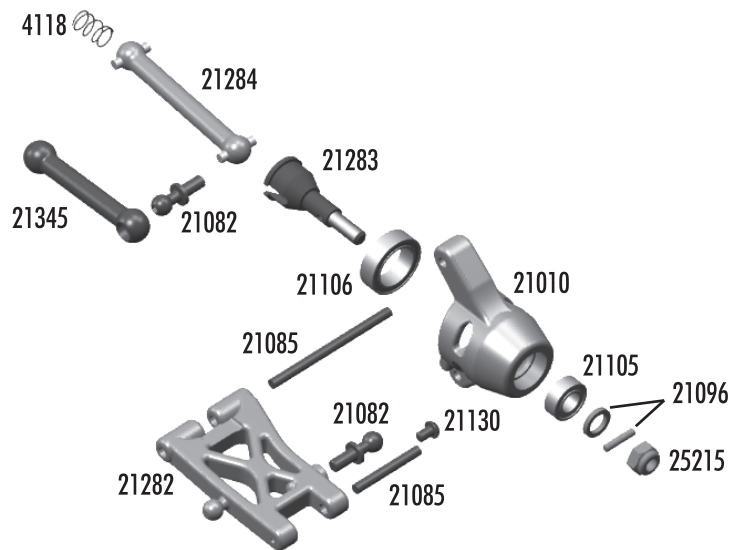
**:: Rear Gearbox**

21082	Ballstud Set, Two 8mm and Nine 5mm	Set
21130	M2x3mm BHPS	
21134	M2.5x9mm BHPS	
21313	Rear Gearbox	
21331	Spur Gear Cover	
21333	M2.5x6mm FHPS	



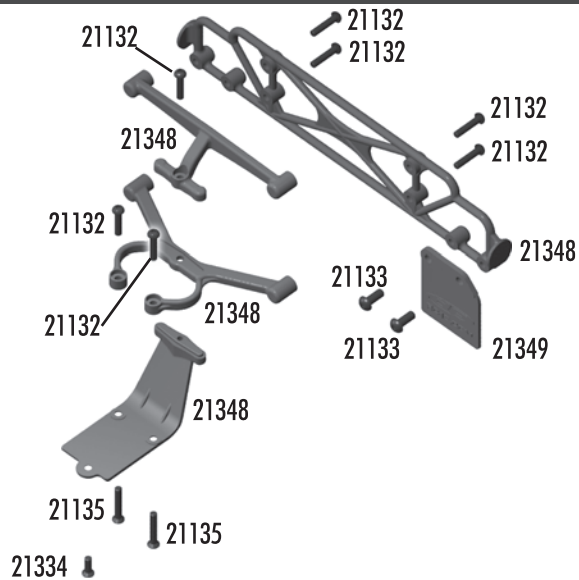
**:: Rear Arms**

4118	.014 Springs	2
21010	Rear Hubs	Pr.
21082	Ballstud Set, Two 8mm and Nine 5mm	Set
21085	Hinge Pin Set	Set
21096	Stub Axle Pins & Spacers	Set
21105	Bearings, 4x8x3mm	2
21106	Bearings, 8x12x3.5mm	2
21130	M2x3mm BHPS	20
21282	18R / SC18 Front / Rear Arms	Pr.
21283	18R / SC18 Stub Axles	Pr.
21284	18R / SC18 Dogbones & Springs	Pr.
21345	SC18 Molded Tie Rod Links	Set
25215	M3 Locknuts	20



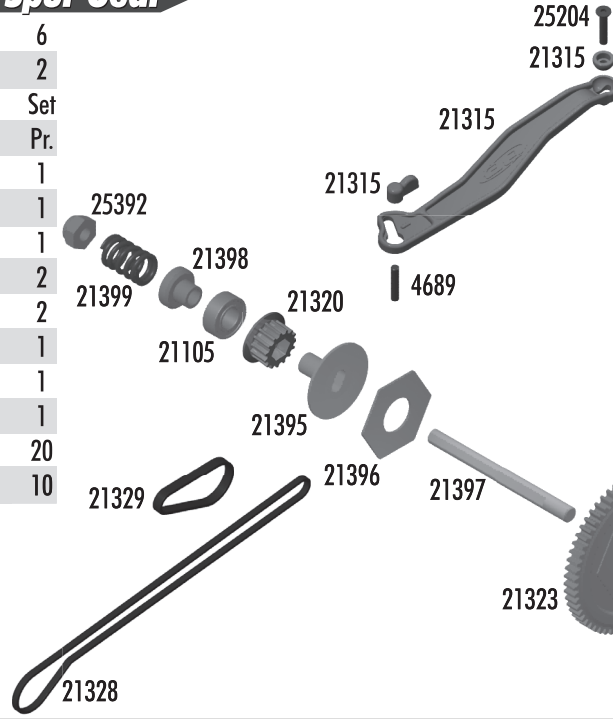
**:: Rear Bumper**

21132	M2x9mm BHPS	20
21133	M2.5x6mm BHPS	20
21135	M2x12mm FHPS	20
21334	M2x6mm FHPS	20
21348	SC18 Rear Bumper / Brace / Skid Plate	Set
21349	SC18 Mud Flaps	Pr.



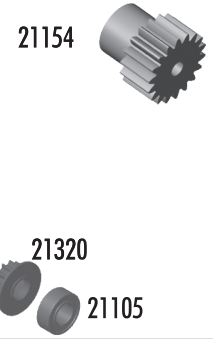
**:: Battery Strap / Belts / Spur Gear**

4689	M3x16mm Set Screw	6
21105	Bearings, 4x8x3mm rubber sealed	2
21315	Battery Strap	Set
21320	Spur Gear Pulley Set	Pr.
21323	Spur Gear (60T) Kit	1
21328	Front Belt	1
21329	Rear Belt	1
21395	FT Slipper Hub	2
21396	FT Slipper Pads	2
21397	FT Slipper Shaft	1
23198	FT Slipper Shaft Spacer	1
21399	FT Slipper Spring	1
25204	M3x16mm FHPS	20
25392	FT 3mm Locknuts, blue	10



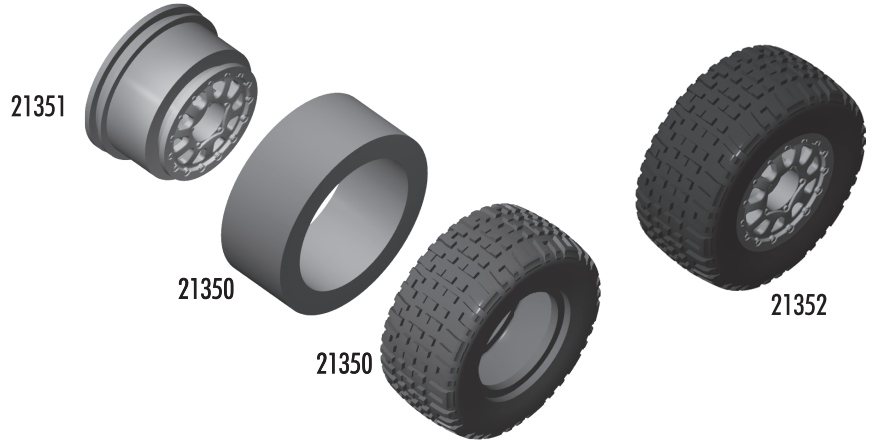
**:: Pinion**

21152	RC18 10T Pinion w/set screw	1
21153	RC18 12T Pinion w/set screw	1
21154	RC18 13T Pinion w/set screw - Kit	1
21155	RC18 14T Pinion w/set screw	1
21156	RC18 15T Pinion w/set screw	1
21157	RC18 11T Pinion w/set screw	1
21158	RC18 16T Pinion w/set screw	1
21159	RC18 17T Pinion w/set screw	1
21160	RC18 18T Pinion w/set screw	1



**:: Wheels / Tires**

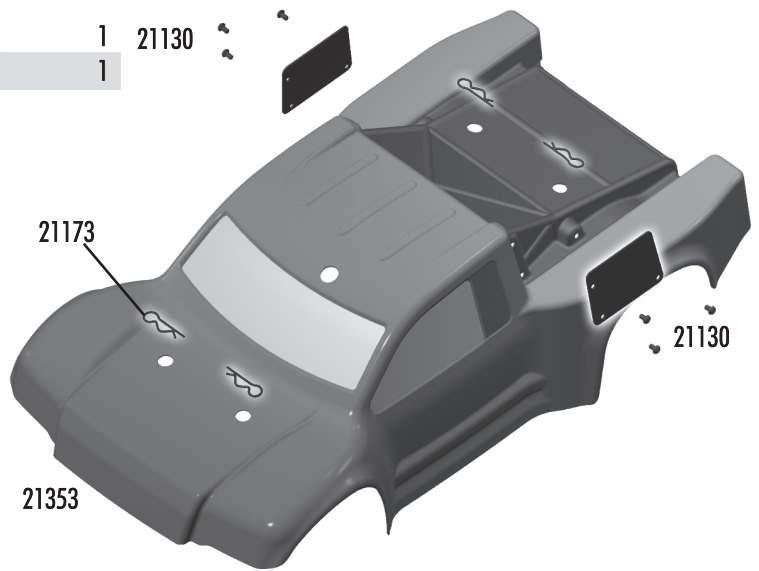
21350	SC18 Tire / Insert	Pr.
21351	SC18 Wheel	Pr.
21352	SC18 Wheel / Tire "mounted"	Pr.



**:: Body / Decals**

21130	M2x3mm BHPS	20
21173	18T Body Clips	12
21344	SC18/Number Decals	1
21353	SC18 Body, Clear	1
21354	SC18 Body RTR, Blue	1
21355	SC18 Body RTR, Silver	1
21356	SC18 Body RTR, Black	1
21357	SC18 RTR Decal Sheet	1
21358	SC18 Body, Lucas Oil	1
21359	SC18 Decal Sheet, Lucas Oil	1
21360	SC18 Body, Pro Comp	1
21361	SC18 Decal Sheet, Pro Comp	1
21364	SC18 Body, KMC	1
21365	SC18 Decal Sheet, KMC	1
21366	SC18 Speed Technologies	1
21367	SC18 Decal Sheet, Speed Technologies	1

21368	SC18 Body, AE	1
21369	SC18 Decal Sheet, AE	1



**:: Factory Team Options**

1736	FT Body Clips, blue short	6
21214	FT Front Threaded Shock Bodies & Collars	Pr.
21216	FT Front Threaded Shock Kit, with Collars	Pr.
21223	FT Steering Blocks, blue aluminum	Pr.
21224	FT Hub Carriers, blue aluminum	Pr.
21225	FT Caster Blocks, blue aluminum	Pr.
21231	MIP CVD Rebuild Kit	Set
21232	FT CVD Axle Pins	4
21241	FT Ballstuds, blue aluminum (Two 8mm and Nine 5mm)	Set
21243	FT Blue Outdrive Sleeves	4
21330	Bearing Set	Set
21380	MIP CVD Assemblies (SC18 / 18R)	Pr.
21381	Complete Ball Diff Kit, Front	Set
21382	Diff Rebuild Kit	Set
21383	Carbide Diff Balls	10
21384	Ball Diff Pulley, Front	1
21385	FT Anti-Roll Bar Link	4
21386	FT Anti-Roll Bar Set	Set
21387	FT Ballcups	12
21388	FT Spur Gear Bearing Caps	1
21389	FT Battery Retainer	1
21390	FT Pistons (4x 3 slot, 4x 4 slot pistons)	8
21391	FT Anti-Roll Bar Pivot	4
21392	FT Motor Mount	1
21393	FT RR Bulkhead	1
21394	FT FR Bulkhead	1
21395	FT Slipper Hub	2
21396	FT Slipper Pads	2
21397	FT Slipper Shaft	1
21398	FT Slipper Shaft Spacer	1
21399	FT Slipper Spring	1
21400	FT Chassis	1
21401	FT Top Plate	1
21402	FT Chassis Conversion Kit	Set
21403	SC18 Titanium Turnbuckle Set	Set
21405	FT Complete Slipper Shaft Assembly	Set
21408	Complete Ball Diff Kit, Rear	Set
21409	Ball Diff Pulley, Rear	1
25392	FT 3mm Locknuts, blue	10
29137	18T XPS ESC Heatsink	1

**:: LRP**

LRP41552	Pulsar 3 Charger	1
LRP43150	Power Supply 14 Amps	1
LRP45200	LiPo Balancer	1
LRP50240	Vector Micro Brushless 7900kv Motor	1
LRP50250	Vector Micro Brushless 6900kv Motor	1
LRP50260	Vector Micro Brushless 5900kv Motor	1
LRP80481	NEXXT 4X / Vector 7900kv Combo	Set
LRP80482	NEXXT 4X / Vector 6900kv Combo	Set
LRP80483	NEXXT 4X / Vector 5900kv Combo	Set
LRP80810	Quantum Competition 2 Micro ESC	1
LRP86500	NEXXT 4X Micro Brushless ESC	1

**:: Electronics**

21149	18T 6-Cell Battery	1
21210	Super 370 Motor	1
29128	18T XP C1016 Servo	1
29130	XP TR203A Micro Receiver, for the XP3D AM	1
29136	XPS Micro ESC	1
29155	XP3D Radio & Receiver 27 MHZ (FM)	1
29156	XP3D Radio & Receiver 75 MHZ (FM)	1
29158	XP3D Radio Only	1
29160	27MHZ Module, AM, for the XP3D	1
29161	27MHZ Module, FM, for the XP3D	1
29162	75MHZ Module, FM, for the XP3D	1
29164	Micro RX 3 Ch FM 27MHZ Receiver, for the XP3D	1
29165	Micro RX 3 Ch FM 75MHZ Receiver, for the XP3D	1
29221	XP3-SS 2.4ghz Radio and Receiver	1
29222	XP3-SS 2.4ghz Receiver	1

Go to [www.rc10.com](http://www.rc10.com) for a complete listing of radio crystals!

**:: Reedy Motors**

290	Stump Puller 19T	1
291	Mini-Mod 17T	1
292	Mini-Mod 19T	1
910	Micro Brushless Motor 5000kv	1
911	Micro Brushless Motor 5500kv	1
912	Micro Brushless Motor 6100kv	1
913	Micro Brushless Motor 7000kv	1
914	Micro Brushless Motor 8000kv	1
915	Micro Brushless Motor 9500kv	1

**:: Reedy Electronics**

610	Reedy 447-S AC/DC 4-7 Cell NiMH/NiCd Peak Prediction Charger	1
900	Micro Brushless ESC	1
930	Micro Brushless ESC w/5000kv Motor	Set
931	Micro Brushless ESC w/5500kv Motor	Set
932	Micro Brushless ESC w/6100kv Motor	Set
933	Micro Brushless ESC w/7000kv Motor	Set
934	Micro Brushless ESC w/8000kv Motor	Set
935	Micro Brushless ESC w/9500kv Motor	Set

**:: Reedy Batteries**

302	AA Alkaline 1.5V	4
303	AA 2700mAh NiMH 1.2V Rechargeable	4
618	1600 Series 7.2V NiMH Flat Micro Pack	1
620	Micro Pack 1800mAh 7.4V 20C LiPo	1
621	VMX 1600mAh NiMH 7.2V Flat Micro Pack	1
622	VMX 1600mAh NiMH 7.2V Stick Micro Pack w/TRA	1

**:: Reedy Accessories**

660	3.5mm plugs (3M, 3F)	1
716	Reedy 09' Decal Set	1
718	LiPo Charging Sack	1
SP35**	Reedy Logo T-Shirt - White (M,L,XL,XXL,XXXL)	1
SP36**	Reedy Logo T-Shirt - Black (M,L,XL,XXL,XXXL)	1
SP417	Factory Team 1/10 Motor Storage Bag	1
SP418	Factory Team 1/10 Car Carrier Bag	1

**:: 1/18 Kits and RTR's**

20100	RC18T RTR (ready-to-run)	1
20102	FT RC18T Kit	1
20105	RC18B RTR (ready-to-run)	1
20110	RC18MT RTR (ready-to-run)	1
20115	RC18R Kamino RTR (ready-to-run)	1
20116	RC18R Citroen WRC 2005 RTR (ready-to-run)	1
20118	RC18R Niteline RTR (ready-to-run)	1
20120	SC18 RTR (ready-to-run)	1

**:: 1/12, 1/10 Kits and RTR's**

2033	FT Nitro TC3 Kit	1
2042	Nitro TC3 RTR Plus (ready-to-run)	1
4019	FT 12R5.1 Kit	1
7020	RC10T4 Team Truck Kit	1
7022	FT RC10T4 Team Truck Kit	1
7024	RC10T4RS "Race Spec" RTR (ready-to-run)	1
7026	SC10 Lucas Oil Race Truck RTR (ready-to-run)	1
7027	SC10 2WD Short Course Race Truck Kit	1
7028	SC10 Pro Comp Race Truck RTR (ready-to-run)	1
7029	SC10 Associated/RC10.com Race Truck RTR (ready-to-run)	1
7030	SC10 KMC Wheels Race Truck RTR (ready-to-run)	1
7031	SC10 Bullydog/RC10.com Race Truck RTR (ready-to-run)	1
7032	SC10 Ready Lift RTR (ready-to-run)	1
7080	FT GT2 Nitro Truck Kit	1
7092	GT2 RS Truck Nitro RTR (ready-to-run)	1
8020	FT RC10R5 Kit	1
8021	FT RC10R5-OVAL Kit	1
9034	RC10B4 Buggy Kit	1
9035	FT RC10B4 Buggy Kit	1
9037	RC10B4RS "Race Spec" RTR (ready-to-run)	1
9060	FT B44 4WD Buggy Kit	1
20515	MGT 3.0 Nitro Monster Truck RTR (ready-to-run)	1
30104	FT TC5F Foam Tire Edition 4WD Touring Car Kit	1
30105	FT TC5R Rubber Tire Edition 4WD Touring Car Kit	1
30111	TC4 4WD Touring Car RTR (ready-to-run)	1

**:: 1/8 Kits and RTR's**

20501	Monster GT 4.60 SE Nitro RTR (ready-to-run)	1
20502	MGT 8.0 Nitro RTR (ready-to-run)	1
20503	Limited Edition MGT 4.60 Nitro RTR, with flag body (ready-to-run)	1
20504	Limited Edition MGT 8.0 Nitro RTR, with flag body (ready-to-run)	1
80901	RC8e 4WD Electric Buggy Kit	1
80902	FT RC8B Nitro Buggy Kit	1
80905	RC8RS "Race Spec" Nitro Buggy RTR (ready-to-run)	1
80911	RC8Te 4WD Electric Tuggy Kit	1
80912	RC8T Championship Edition	1
80915	RC8T-RS "Race Spec" Nitro Truggy RTR (ready-to-run)	1
80920	SC8 Short Course Race Truck, Red Bull Nitro RTR (ready-to-run)	1
80921	SC8 Short Course Race Truck, Lucas Oil Nitro RTR (ready-to-run)	1
80922	SC8 Short Course Race Truck, KMC Wheels Nitro RTR (ready-to-run)	1
80923	SC8 Short Course Race Truck, Bully Dog Nitro RTR (ready-to-run)	1
80924	SC8 Short Course Race Truck, AE Team Nitro RTR (ready-to-run)	1
80925	SC8 Short Course Race Truck, Pro Comp Nitro RTR (ready-to-run)	1
80931	SC8e 4WD Electric Short Course Race Truck, Kit	1

**:: Tools**

1110	Turnbuckle Wrench	1
1111	FT Turnbuckle Wrench	1
1449	Offroad Ride Height Gauge	1
1450	FT Ride Height Gauge	1
1541	FT Hex Driver Set (7 pcs)	Set
1542	FT .050" Silver Hex Driver	1
1543	FT 1/16" Black Hex Driver	1
1544	FT 1.5mm Purple Hex Driver	1
1545	FT 5/64" Blue Hex Driver	1
1546	FT 3/32" Gold Hex Driver	1
1547	FT 2.5mm Green Hex Driver	1
1548	FT 3mm Red Hex Driver	1
1551	FT Screwdriver Set	1
1553	FT Phillips Silver Screwdriver	1
1554	FT Silver Spring Hook Tool	1
1561	Full Set of 6 FT Nut Drivers	Set
1562	FT 3/16" Black Nut Driver	1
1563	FT 1/4" Red Nut Driver	1
1564	FT 5.5mm Red Nut Driver	1
1565	FT 11/32" Green Nut Driver	1
1566	FT 7.7mm Silver Nut Driver	1
1567	FT 8mm Gold Nut Driver	1
1589	FT 5/64" Blue Ball Hex Driver	1
1590	FT 3/32" Gold Ball Hex Driver	1
1592	Full Set of 3 Ball Hex Drivers	Set
1719	FT Camber + Track Width Tool	1
1737	FT Body Scissors	1
3718	12 Inch Nylon Wire Ties	12
3719	6 Inch Nylon Wire Ties	12
3720	8 Inch Nylon Wire Ties	12
3987	FT Droop Gauge	1
6429	Shock Building Tool	1
6956	Molded Tools	Set
7709	4 Inch Nylon Wire Ties	12



Check out [www.TeamAssociated.com](http://www.TeamAssociated.com) - [www.RC10.com](http://www.RC10.com) for the latest kits, RTRs, and option parts for your SC18 and other Associated vehicles!

**:: Apparel**

SP35**	Reedy 09' White T-Shirt (M, L, XL, XXL, XXXL)	1
SP36**	Reedy 09' Black T-Shirt (M, L, XL, XXL, XXXL)	1
SP58**	AE Logo Black T-Shirt (M, L, XL, XXL)	1
SP59**	AE Logo Blue T-Shirt (M, L, XL, XXL)	1
SP60**	AE Hooded Sweatshirt (S, M, L, XL, XXL)	1
SP102	1/10 Inner and Outer Boxes Only	Set
SP103	1/10 Inner Boxes Only	Pr.
SP410**	AE Hats Black (S-M, L-XL, XXL-XXXL)	1
SP416	1/10 Car Carrier Bag Only	1
SP417	1/10 FT Motor Bag	1
SP418	1/10 FT Car Carrier Bag with Boxes	Set
SP420**	AE Pit Gloves (M, L, XL)	Pr.
715	Reedy 2009 Track Banner	1
110684	Team Associated Track Banner	1

\*\* Use part number plus the desired size when ordering!

## :: Gearing / Maintenance

### Motor Gearing:

Proper motor gearing will result in maximum performance and run time while reducing the chance of overheating and premature motor failure. The gear ratio chart lists recommended starting gear ratios "only" for the most widely used motor types. Gear ratios will vary depending upon track conditions, driving style, and personal preference. Generally, you should not increase the pinion gear size more than one tooth greater than the starting size.

SC18 Gear Ratio Chart

Part#	Model	Battery	Pinion	Spur	Final Drive Ratio	Rollout (mm)
910	5000kV	7.2V - 7.4V	14	60	8.57	18.32
911	5500kV	7.2V - 7.4V	14	60	8.57	18.32
912	6100kV	7.2V - 7.4V	13	60	9.23	17.01
913	7000kV	7.2V - 7.4V	12	60	10.00	15.70
914	8000kV	7.2V - 7.4V	11	60	10.90	14.40
915	9500kV	7.2V - 7.4V	10	60	12.00	13.08
21210	Super 370	7.2V - 7.4V	13	60	9.23	17.01
290	SP 19	7.2V - 7.4V	13	60	9.23	17.01
291	Mini-Mod 17	7.2V - 7.4V	10	60	12.00	13.08
292	Mini-Mod 19	7.2V - 7.4V	12	60	10.00	15.70

### Formulas:

Internal Ratio = 2.0:1

$$\text{Final Drive Ratio} = \frac{\text{Spur} \times \text{Internal Ratio}}{\text{Pinion}}$$

SC18 Tire Diameter (mm) = 50

$$\text{Rollout (mm)} = \frac{3.14 \times \text{Tire Diameter (mm)}}{\text{Final Drive Ratio}}$$

**Warning:** The use of motors over 5000kV and and/or batteries over 7.4V may require the installation of Factory Team ball diff kits (front and rear) and a Factory Team Slipper Shaft Assembly. These parts are race tested for strength and durability and are capable of handling the power output of high kV brushless motors and 11.1V LiPo batteries.

### Set The Gear Mesh

You should be able to rock the spur gear back and forth in the teeth of the pinion gear without making the pinion gear move. If the spur gear mesh is tight, then loosen the screws and move the motor away, then try again. A gear mesh that is too tight or too loose will reduce power and damage the gear teeth.

## MAINTENANCE

### Check For Fit

Periodically check all moving suspension parts. Suspension components must be kept clean and move freely without binding to prevent poor and/or inconsistent handling.

### Brushed Motor Maintenance - Closed Endbell (Kit motor)

Brush off any dirt and debris from motor. Oil the bushings.

### Brushed Motor Maintenance - Open Endbell

Brushed motors require frequent maintenance to keep performance levels at their maximum. Between runs and after letting the motor cool completely, inspect the brushes to ensure that they are moving freely in their holders. Remove the springs and slide the brushes in and out of their holders checking for any resistance or rough spots. If found, remove the brush and carefully wipe it clean. Removing buildup will allow the brush to slide freely and create maximum contact with the commutator resulting in maximum power output.

After every 3-5 runs, remove the brushes from their holders and inspect the tips for wear or burning. If there is noticeable wear (less than 75% of the brush remaining), replace the brush with a new pair. If the tips become a burned blue color, the lubricant in the brush has been burned away and new brushes should be installed.




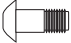




Occasionally, the motor should be cleaned with a soft brush to prevent dirt build up around the brush hood area and ball bearings. At this time, it is a good idea to add one drop of bushing/bearing oil to each bushing or ball bearing.

### Brushless Motor Maintenance






If using a brushless motor, please refer to the motor manufacturer's guidelines for proper maintenance.

## :: Hardware - 1:1

### button head (bhps)

	M2x3mm (21130)
	M2x9mm (21132)
	M2x12mm (21336)
	M2.5x3mm (21131)
	M2.5x6mm (21133)
	M2.5x9mm (21134)
	M3x5mm (21129)
	M3x8mm (25180)

### flat head (fhps)

	M2x6mm (21334)
	M2x8mm (25196)
	M2x12mm (21135)
	M2.5x6mm (21333)
	M3x16mm (25204)

### shims

	.324x.409x.005 (21141)
---	------------------------

### setscrews

	M3x2.5mm (31500)
	M3x16mm (4689)




### locknut

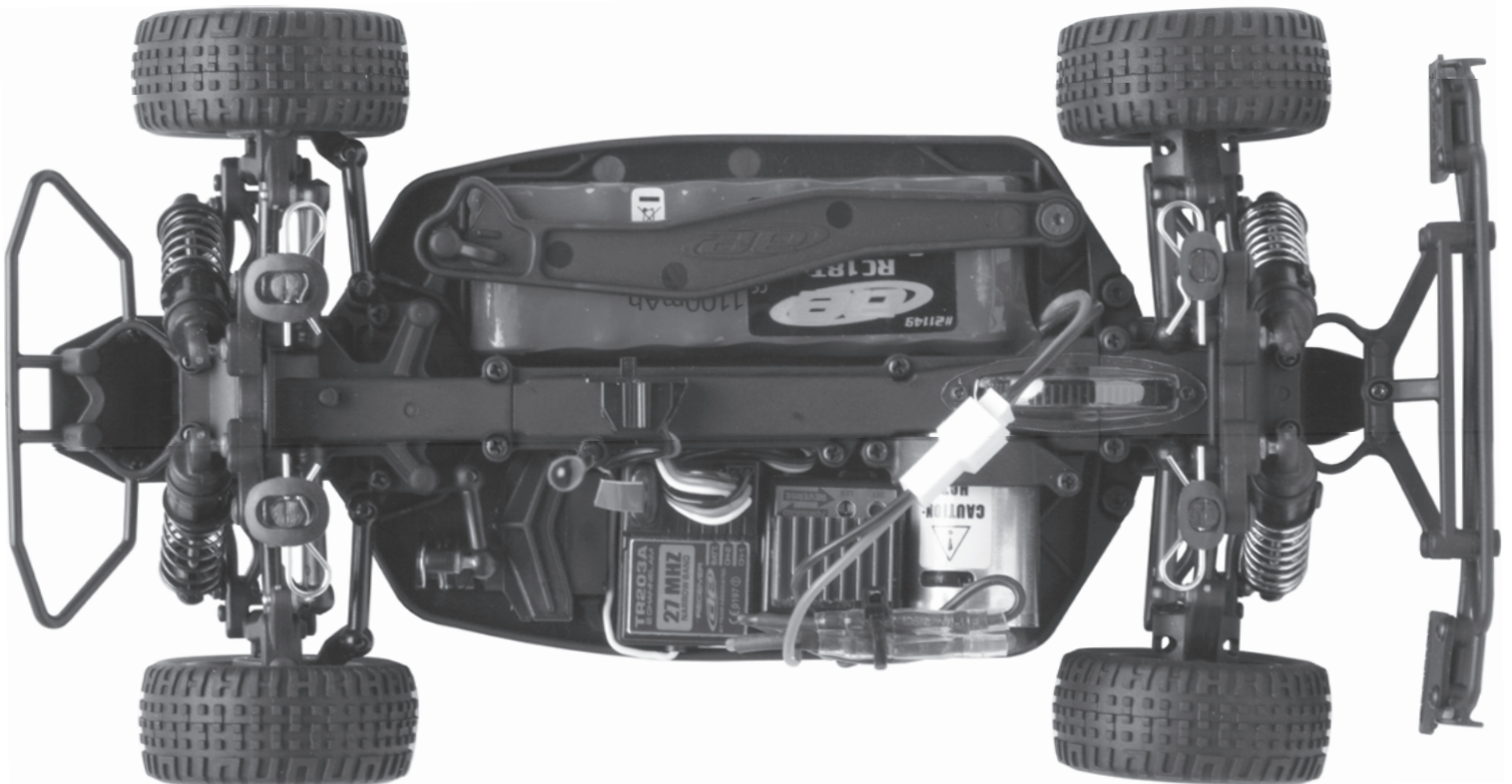
	M3 locknut (25215)
--	--------------------

### ballstuds

	5mm (21082)
	8mm (21082)

### ball bearings

	3x6x2.5mm (21337)
	4x8x3mm (21105)
	8x12x3.5mm (21106)





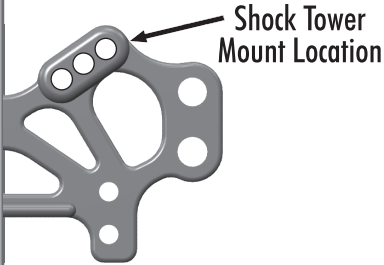
# SC18

## SHORT COURSE

For more setups and setup sheets, click here:  
[www.RC10.com](http://www.RC10.com) • [www.TeamAssociated.com](http://www.TeamAssociated.com)

Driver: \_\_\_\_\_ Date: \_\_\_\_\_  
 Track: \_\_\_\_\_  Indoor  Outdoor  
 Event: \_\_\_\_\_  
 Conditions: \_\_\_\_\_  
 Additional Comments: \_\_\_\_\_

### Front Suspension



#### Upright

Ballstud:  Short  Long

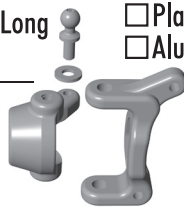
Ballstud Washers: \_\_\_\_\_

Steering Block:

Plastic  
 Aluminum

#### Caster Block:

Plastic  
 Aluminum



#### Shocks



Piston: \_\_\_\_\_ Oil: \_\_\_\_\_ wt

Spring: \_\_\_\_\_ Limiters: \_\_\_\_\_

Ride Height: \_\_\_\_\_ mm

Shock Body:  Plastic  Threaded Aluminum

#### Anti-Roll Bar

0.75mm

1.0mm

#### Alignment

Camber: \_\_\_\_\_°

Inner Camber Shims: \_\_\_\_\_

Toe: \_\_\_\_\_°

#### Differential

Gear Diff

Ball Diff Setting: \_\_\_\_\_

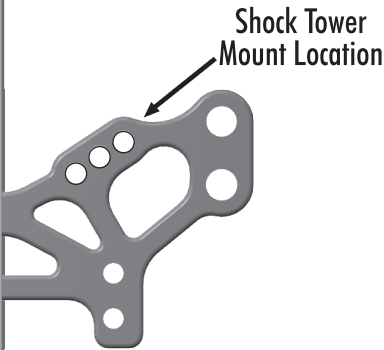
#### Drivebones

Plastic Dogbones

MIP CVD's

Notes: \_\_\_\_\_

### Rear Suspension



#### Upright

Hub Carrier:

Plastic  
 Aluminum



#### Anti-Squat

Standard - 0°



Optional - 3.5°



#### Shocks



Piston: \_\_\_\_\_ Oil: \_\_\_\_\_ wt

Spring: \_\_\_\_\_ Limiters: \_\_\_\_\_

Ride Height: \_\_\_\_\_ mm

Shock Body:  Plastic  Threaded Aluminum

#### Anti-Roll Bar

0.75mm

1.0mm

#### Alignment

Camber: \_\_\_\_\_°

Inner Camber Shims: \_\_\_\_\_

#### Differential

Gear Diff

Ball Diff Setting: \_\_\_\_\_

#### Drivebones

Plastic Dogbones

MIP CVD's

Notes: \_\_\_\_\_

### Body & Wing

Body: \_\_\_\_\_

Notes: \_\_\_\_\_

### Tires

#### Front

Type: \_\_\_\_\_

Insert: \_\_\_\_\_

Wheel: \_\_\_\_\_

Traction Compound: \_\_\_\_\_

Notes: \_\_\_\_\_

#### Rear

Type: \_\_\_\_\_

Insert: \_\_\_\_\_

Wheel: \_\_\_\_\_

### Electronics

Motor: \_\_\_\_\_ Gear: \_\_\_\_\_ t/ \_\_\_\_\_ t

Motor Brush: \_\_\_\_\_ Motor Spring: \_\_\_\_\_

Motor Timing: \_\_\_\_\_

Battery: \_\_\_\_\_ Position:  Fwd  Back

ESC: \_\_\_\_\_ Mode: \_\_\_\_\_

Drag Brake: \_\_\_\_\_ Initial Brake: \_\_\_\_\_

### Race Comments

Main: \_\_\_\_\_ Qualifying Position: \_\_\_\_\_ Finish: \_\_\_\_\_

Notes: \_\_\_\_\_

### Car Comments

Notes: \_\_\_\_\_

\_\_\_\_\_

\_\_\_\_\_



***Associated Electrics, Inc.***

***26021 Commercentre Dr.***

***Lake Forest, CA 92630 USA***

***<http://www.TeamAssociated.com>***

***<http://www.RC10.com>***

***[http://twitter/Team Associated](http://twitter/TeamAssociated)***

***<http://bit.ly/AEonFacebook>***

***call: (949) 544-7500 - fax: (949) 544-7501***

***Check out the following web sites for all of our kits,  
current products, new releases, setup help, tips, and racing info!***

***[www.TeamAssociated.com](http://www.TeamAssociated.com). - [www.RC10.com](http://www.RC10.com)***