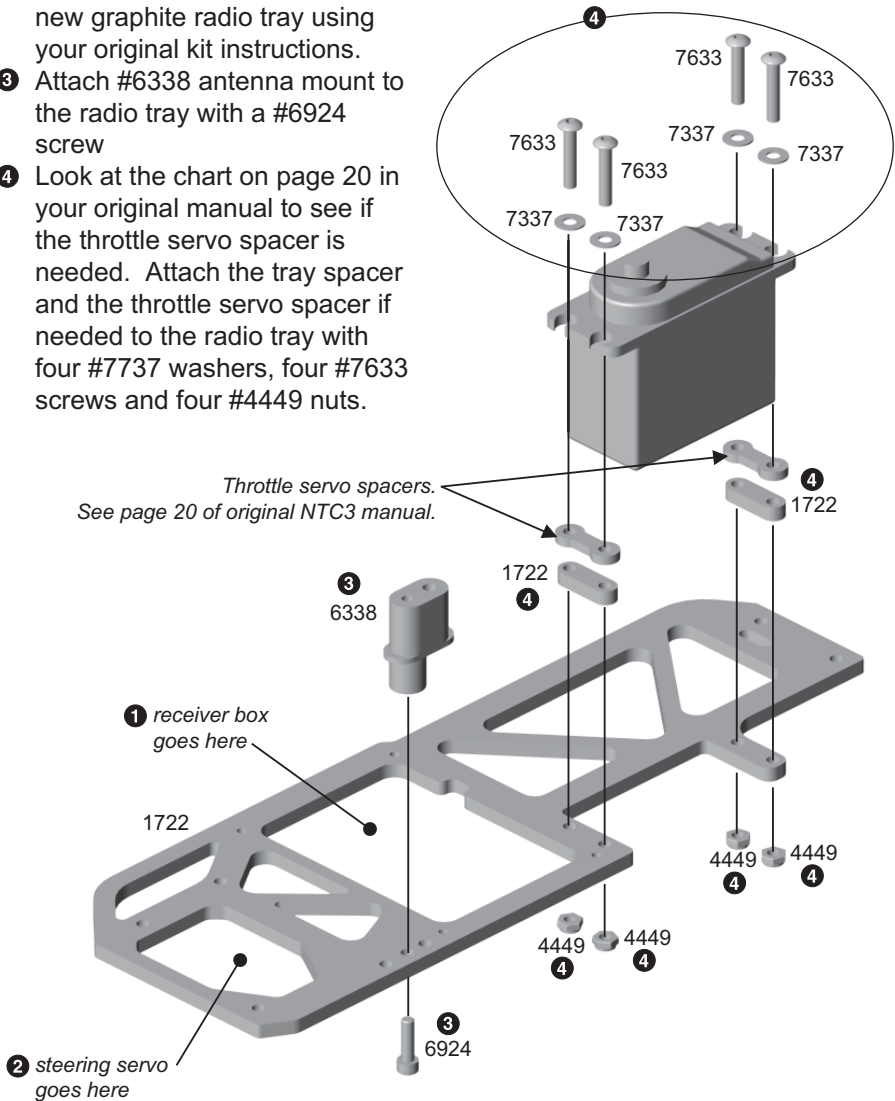


#1722 NTC3 Graphite Radio Tray

- 1 Attach your receiver box to the new graphite radio tray using your original kit instructions.
- 2 Attach your steering servo to the new graphite radio tray using your original kit instructions.
- 3 Attach #6338 antenna mount to the radio tray with a #6924 screw
- 4 Look at the chart on page 20 in your original manual to see if the throttle servo spacer is needed. Attach the tray spacer and the throttle servo spacer if needed to the radio tray with four #7737 washers, four #7633 screws and four #4449 nuts.



TEAM ASSOCIATED
3585 Cadillac Ave.
Costa Mesa, CA 92626



phone: (714) 850-9342
fax: (714) 850-1744
web site: <http://www.rc10.com>