

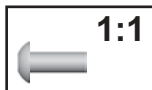
#2272 NTC3 SINGLE SPEED ASSEMBLY

for the NTC3

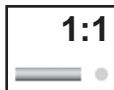
This kit converts your two speed transmission to single speed.



2267, qty 1
gear adapter



6919, qty 3
4-40 x 5/16 screw



2291, qty 3
dowel pin



2273, qty 1
single speed input shaft

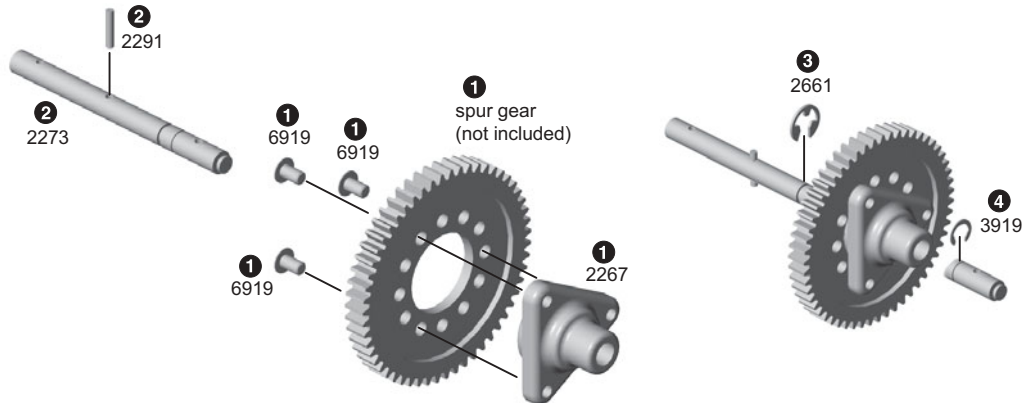


2661, qty 1
large E-clip



3919, qty 1
C-clip

- 1 Attach your spur gear (not included in this kit) to the #2267 gear adapter with three #6919 screws.
- 2 Install and center a #2291 dowel pin in the #2273 single speed input shaft.
- 3 Slide on the gear adapter assembly. Add a #2661 large E-clip to secure it.
- 4 Attach the #3919 C-clip to the input shaft.
- 5 Follow Bag C, Steps 11 and 12 to complete your assembly, using the parts from your two-speed assembly.



TEAM ASSOCIATED
3585 Cadillac Ave.
Costa Mesa, CA 92626



phone: (714) 850-9342
fax: (714) 850-1744
web site: <http://www.TeamAssociated.com/>