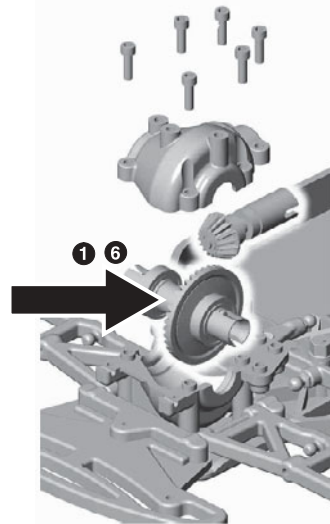
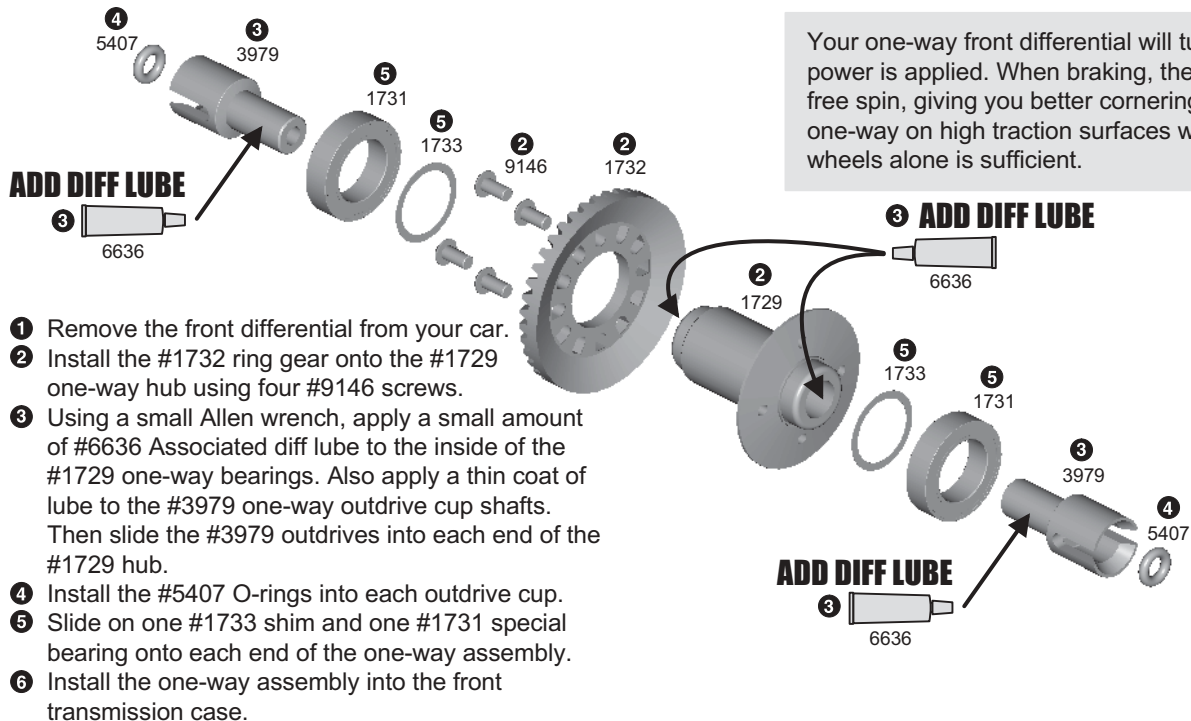


#3978 TC3 HEAVY DUTY ONE-WAY ASSEMBLY

Your one-way front differential will turn the front wheels when power is applied. When braking, the front wheels will be allowed to free spin, giving you better cornering ability. We recommend the one-way on high traction surfaces where braking ability by the rear wheels alone is sufficient.



TEAM ASSOCIATED
3585 Cadillac Ave.
Costa Mesa, CA 92626



phone: (714) 850-9342
fax: (714) 850-1744
web site: <http://www.TeamAssociated.com/>