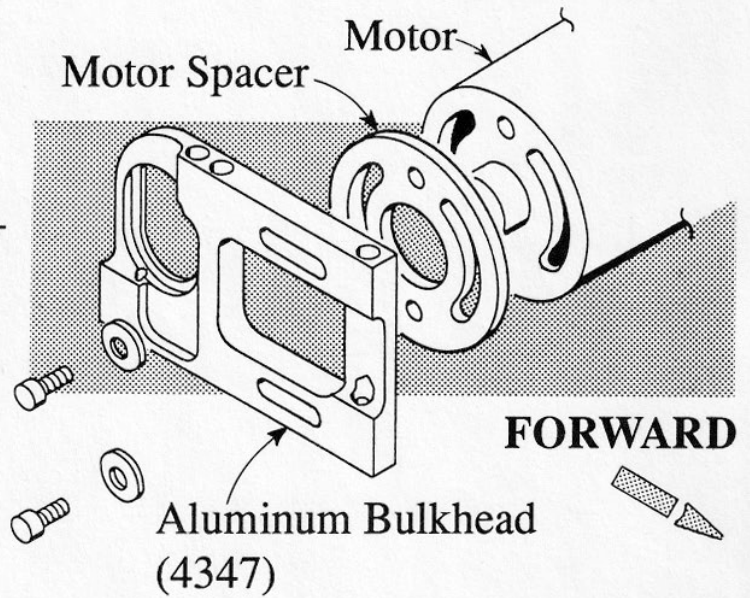


INSTRUCTIONS FOR **MOTOR SPACER**

After adding your pinion gear to the motor shaft, mount your motor spacer between the right hand aluminum bulkhead (#4347) and your motor with the motor mounting hardware as shown. Be sure your pinion gear is aligned with the spur gear.



AE TEAM ASSOCIATED

wishes you high-performance racing!