

# #6189

# SPRINT WING KIT

FORWARD

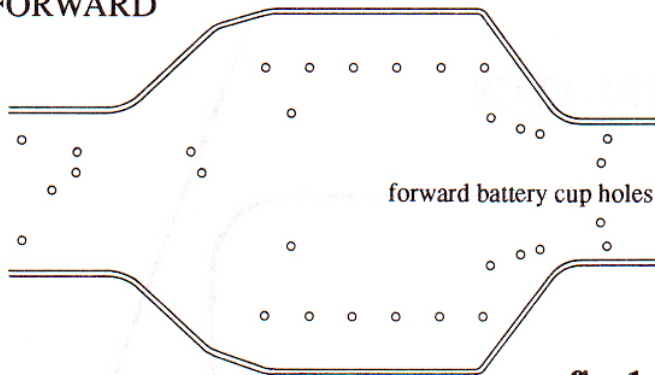


fig. 1

**STEP 1** Place each wire atop the wire template on page 2 and bend the wires to the same shape. Then place your plastic over the side dam templates on page 2 and carefully cut along the lines. Don't cut the paper!

**STEP 2** Measure the distance between the forward battery cup holes of your chassis (fig. 1). Transfer this dimension to your wing and then cut or drill two 1/4" holes in the center of your wing (fig. 2). Push your

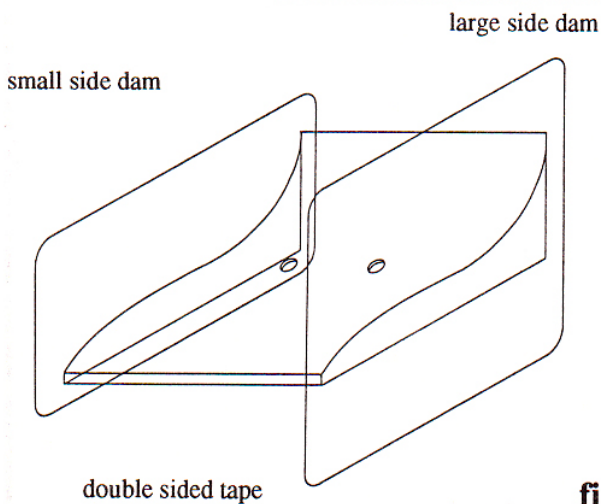


fig. 2

wing mounts through the holes and slide your wing mount wires through the wing mounts (fig. 3). Screw in the long set screws to secure the wires.

**STEP 3** Apply the double-sided tape to each side of the wing where shown in fig. 2. Now take your cut-out wing dams and stick them on, being careful to put each side dam on the correct side of the wing (fig. 2).

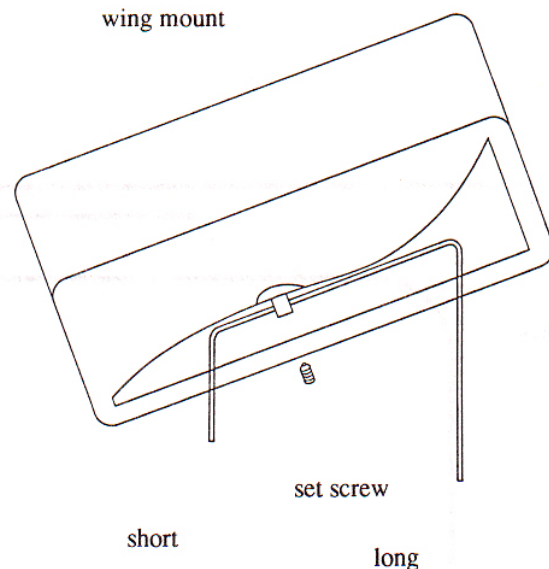


fig. 3

**STEP 4** Now push the 4-40 button head screws up through the same chassis forward battery cup holes of step 1, fig. 1 and screw on your two long wing mount tubes.

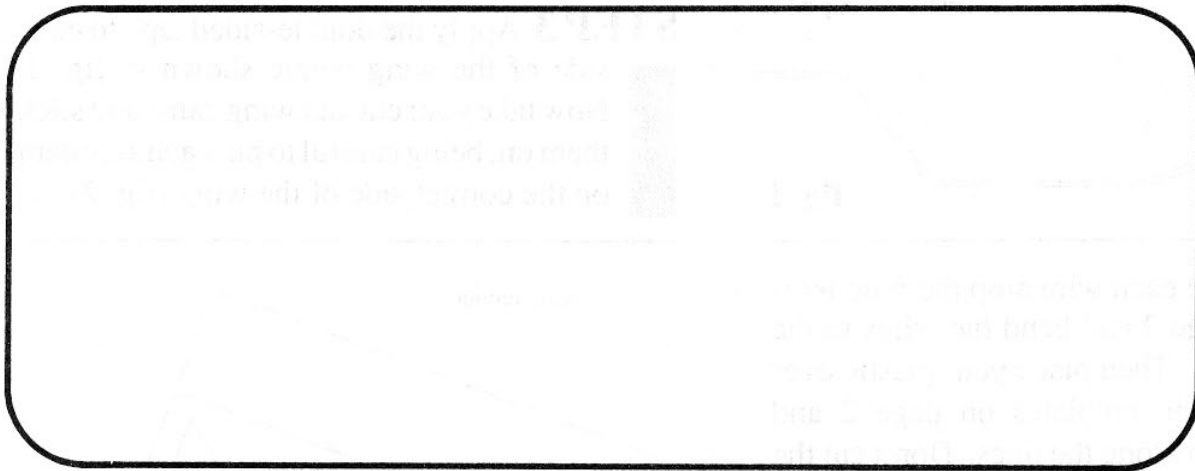
After you install your car body, mount your wing by inserting the short ends of your wing wires through the just-mounted wing tubes while inserting the other wire ends into the wing tubes already on your car.

**TEAM ASSOCIATED**

wishes you high-performance racing!

wing wire

**SIDE DAM AND WING WIRE TEMPLATES**



side dams

