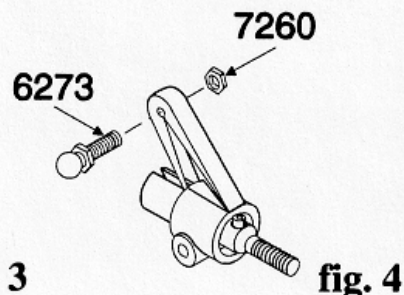
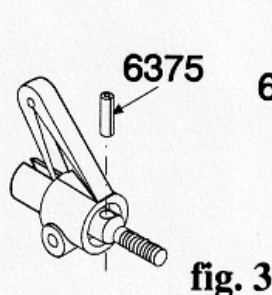
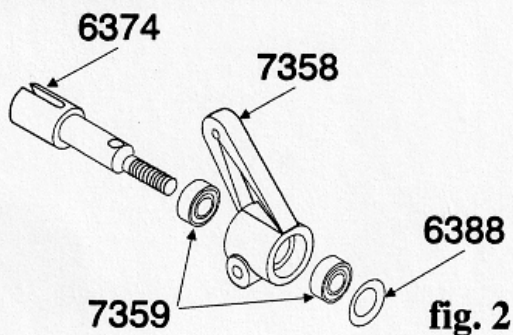
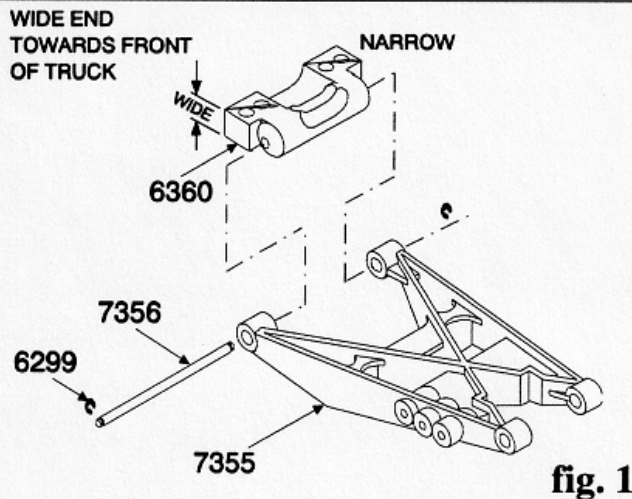


#7350

RC10T REAR SUSPENSION

STEP 1 Attach a #6299 e-clip to one end of the #7356 rear hinge pin (fig. 1). Push the rear hinge pin through the #6360 rear suspension mount and make sure it swings freely. Withdraw the pin, slip it through one #7355 A-arm hole, through the rear suspension mount (check proper orientation according to fig. 1), and out the other A-arm hole. Attach an e-clip to the other end of the pin.

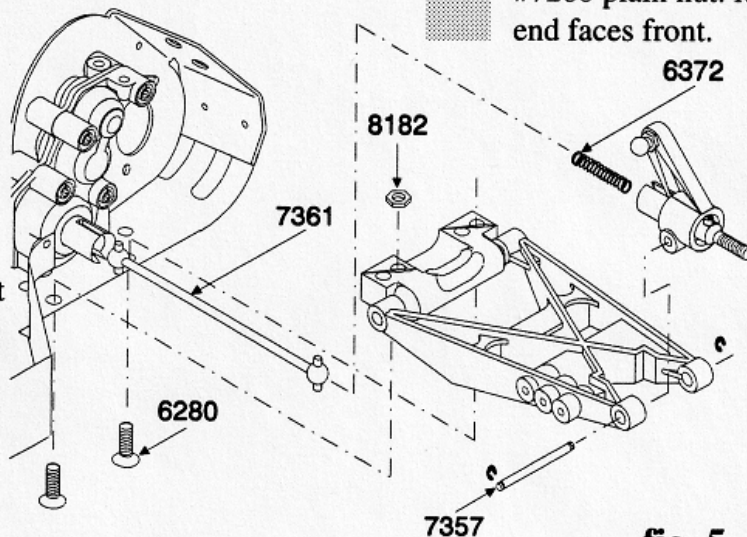


STEP 2 Push two #7359 ball bearings into either end of the #7358 hub carrier (fig. 2). Push the #6374 rear stub axle through as shown, then the #6388 tapered washer on, the small diameter toward the bearing.

STEP 3 Using a pliers, squeeze the #6375 roll pin (fig. 3) into the #6374 rear stub axle to it ends up centered.

STEP 4 Install the #6273 steel ball end (fig. 4) and tighten firm with the #7260 plain nut. Make sure the ball end faces front.

STEP 5 Attach rear hub carrier with the #7357 pin as you did in Step 1. Mount A-arm to chassis with nut & bolts as shown (fig. 5).



STEP 6 Install the #6372 dogbone spring into the hub carrier, align the #7361 dogbone as shown, then connect your turnbuckle from the ball end of the hub carrier to your bulkhead.