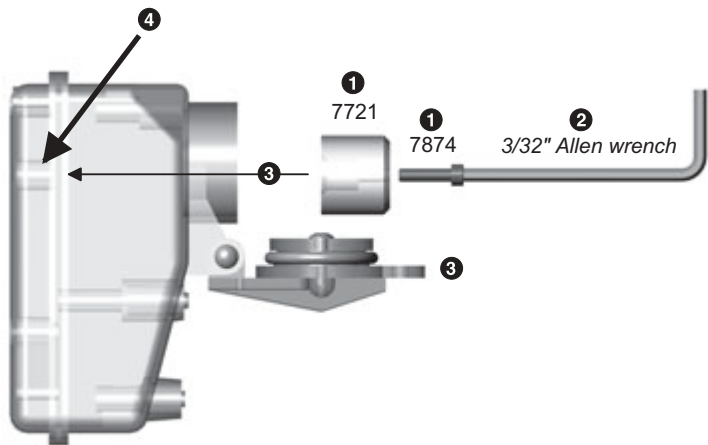


# #7721 TANK INSERT INSTRUCTIONS

- 1 Thread a #7874 screw into the #7721 tank insert.
- 2 Place the insert and screw onto the end of your 3/32" Allen wrench.
- 3 Open the tank's lid and slide the insert into the tank with your Allen wrench.
- 4 Align the screw and tighten down the insert to the tank.



**TEAM ASSOCIATED**  
3585 Cadillac Ave.  
Costa Mesa, CA 92626



phone: (714) 850-9342  
fax: (714) 850-1744  
web site: <http://www.rc10.com>