

#8485/8486 10L3 Oval Factory Team Chassis Kit

#8485 10L3 Oval Factory Team Chassis Kit \$99.99
for 4 cells

#8486 10L3 Oval Factory Team Chassis Kit \$99.99
for 6 cells

Parts included in the #8485 & 8486 10L3 Oval Factory Team Chassis Kits

#8487	Chassis	\$59.99
#8488	Front Bumper	\$17.99
#8489	Chassis Brace.....	\$9.99
#8490	Tray Bracket	\$9.99
#8491	4 Cell Tray (only in #8485 kit)	\$18.99
#8492	6 Cell Tray (only in #8486 kit)	\$21.99
	New chassis hardware	

Components used from #8018 RC10L3 Oval Kit

Front End assembly
Steering Linkage assembly
T-bar assembly
Rear Pod assembly
Rear Axle assembly
3 Shocks and shock mount
Body Posts
Kit hardware

WINNER of the 2001 Snowbird Nationals!



*Daryl Silva's winning car
with the NEW 10L3O Factory
Team Chassis Kit installed*

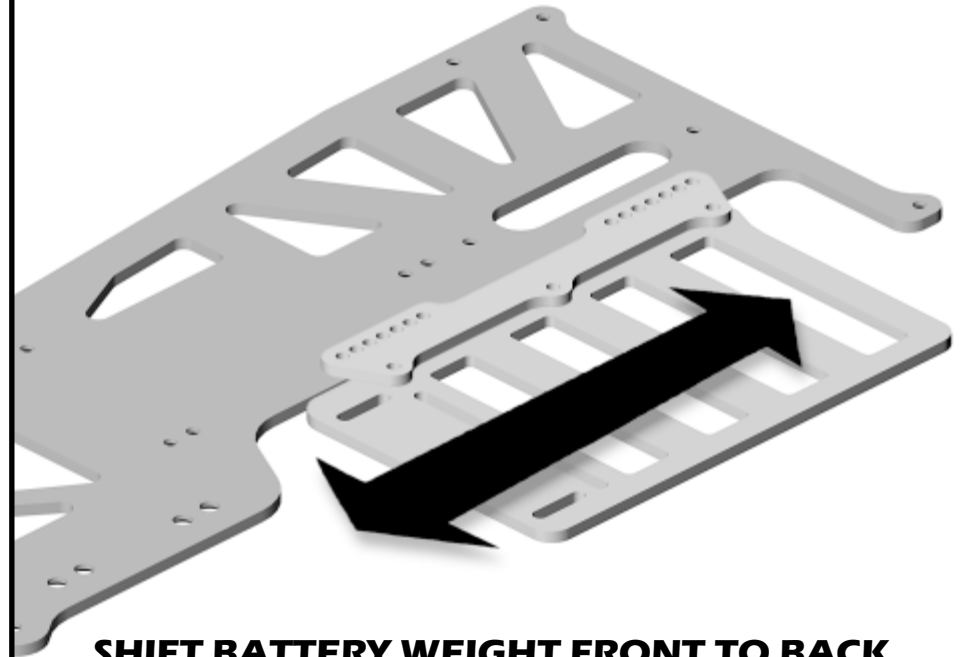
Prices subject to change without notice. Typographic errors or other product pricing/description errors will not be honored. Parts subject to availability.
AE-8485

#8485/8486 10L3 Oval Factory Team Chassis Kit

Factory Team Moveable Battery Tray Accessory

for the

RC10L3 OVAL



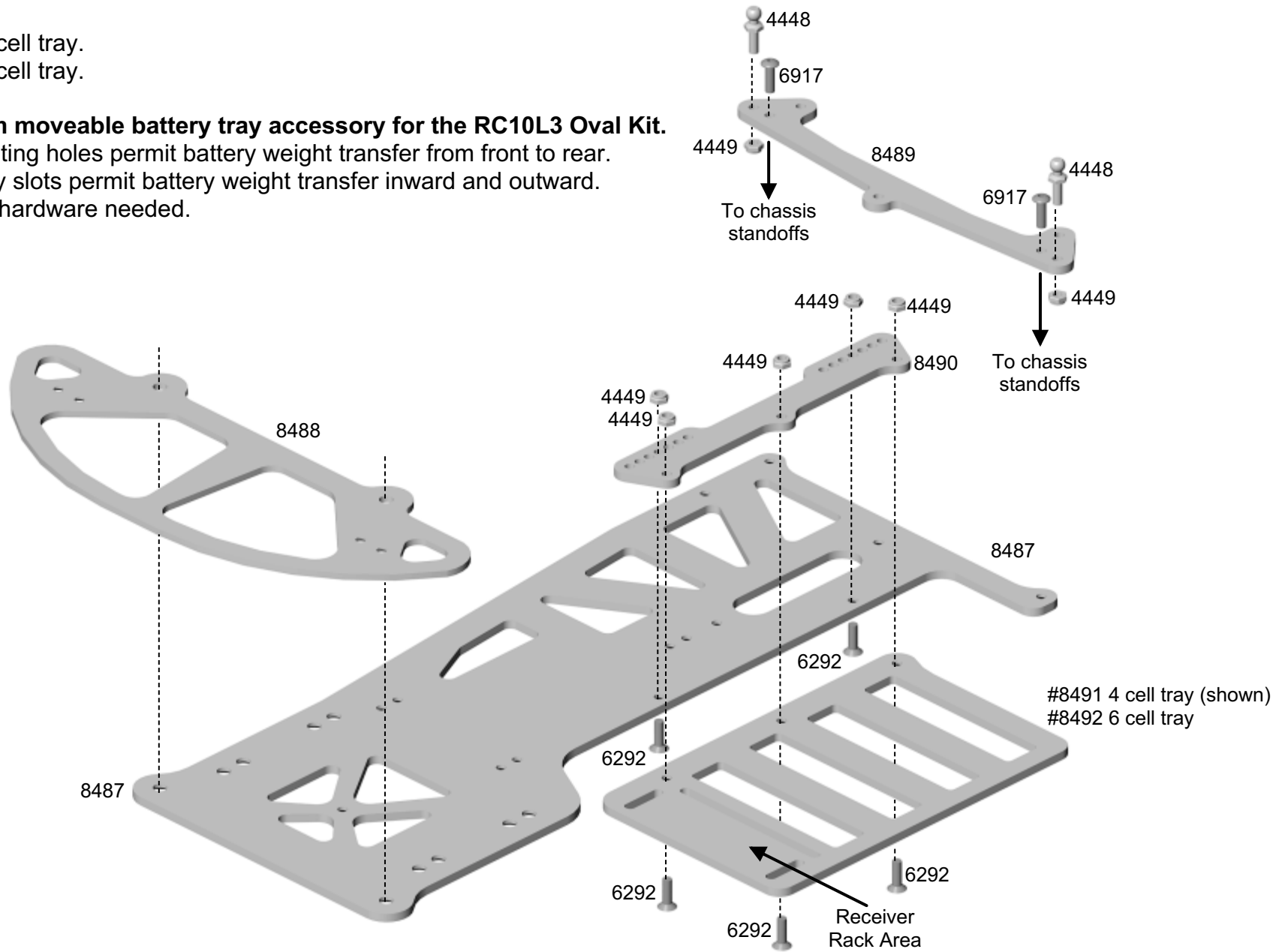
**SHIFT BATTERY WEIGHT FRONT TO BACK
SLIDE YOUR BATTERIES INWARD AND OUT**



#8485/8486 10L3 Oval Factory Team Chassis Kit

#8485 with 4-cell tray.
#8486 with 6-cell tray.

Factory Team moveable battery tray accessory for the RC10L3 Oval Kit.
Multiple mounting holes permit battery weight transfer from front to rear.
Longer battery slots permit battery weight transfer inward and outward.
No additional hardware needed.



TEAM ASSOCIATED
3585 Cadillac Ave.
Costa Mesa, CA 92626



phone: (714) 850-9342
fax: (714) 850-1744
web site: <http://www.teamassociated.com>