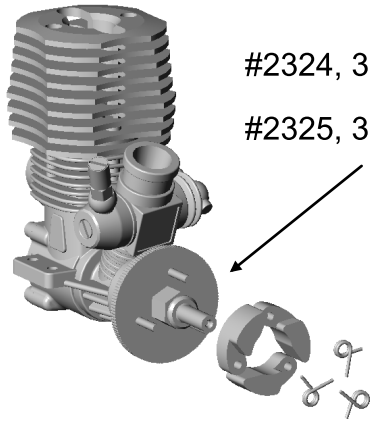


# SUPPLEMENTARY SHEET



#2324, 3 shoe non pull start flywheel

#2325, 3 shoe pull start flywheel

## **For the NTC3**

We have substituted your NTC3 2 shoe flywheel for a 3 shoe flywheel in this kit.

The assembly of your clutch will still be the same as in your manual, page 23 step 5, but instead of two springs and shoes there will be three springs and shoes.